



### Main

Product	Single Throw Safety Switch
Disconnect Type	Fusible disconnect
Number of Poles	3
Electrical Connection	Lugs
Duty Rating	Heavy duty

### Complementary

Line Rated Current	30 A
Factory Installed Neutral	None
Mounting Type	Surface
Voltage Rating	600 V AC/DC
Motor power hp	5 Hp at 480 V AC 50-60 Hz for 3 phase motors 15 Hp at 480 V AC 50-60 Hz for 3 phase motors 7.5 Hp at 600 V AC 50-60 Hz for 3 phase motors 20 Hp at 600 V AC 50-60 Hz for 3 phase motors 5 Hp at 250 V DC 15 hp at 600 V DC
Wire Size	AWG 12...AWG 6 aluminium AWG 14...AWG 6 copper
Tightening torque	45 Lbf.In (5.08 N.m) 0.02 in <sup>2</sup> (13.3 mm <sup>2</sup> ) (AWG 6) 40 Lbf.In (4.52 N.m) 0.01 in <sup>2</sup> (8.367 mm <sup>2</sup> ) (AWG 8) 35 lbf.in (3.95 N.m) 0.00...0.01 in <sup>2</sup> (2.06...5.261 mm <sup>2</sup> ) (AWG 14...AWG 10)
Height	14.6 in (370.84 mm)
Width	7.55 in (191.77 mm)
Depth	4.96 in (125.98 mm)

### Environment

Certifications	CSA
Enclosure Rating	NEMA 3R/12 galvanized steel

### Ordering and shipping details

Category	00153-C,CH&CHU CANADA SW NON-NEG
Discount Schedule	DE1
GTIN	785901995159
Returnability	Yes
Country of origin	US

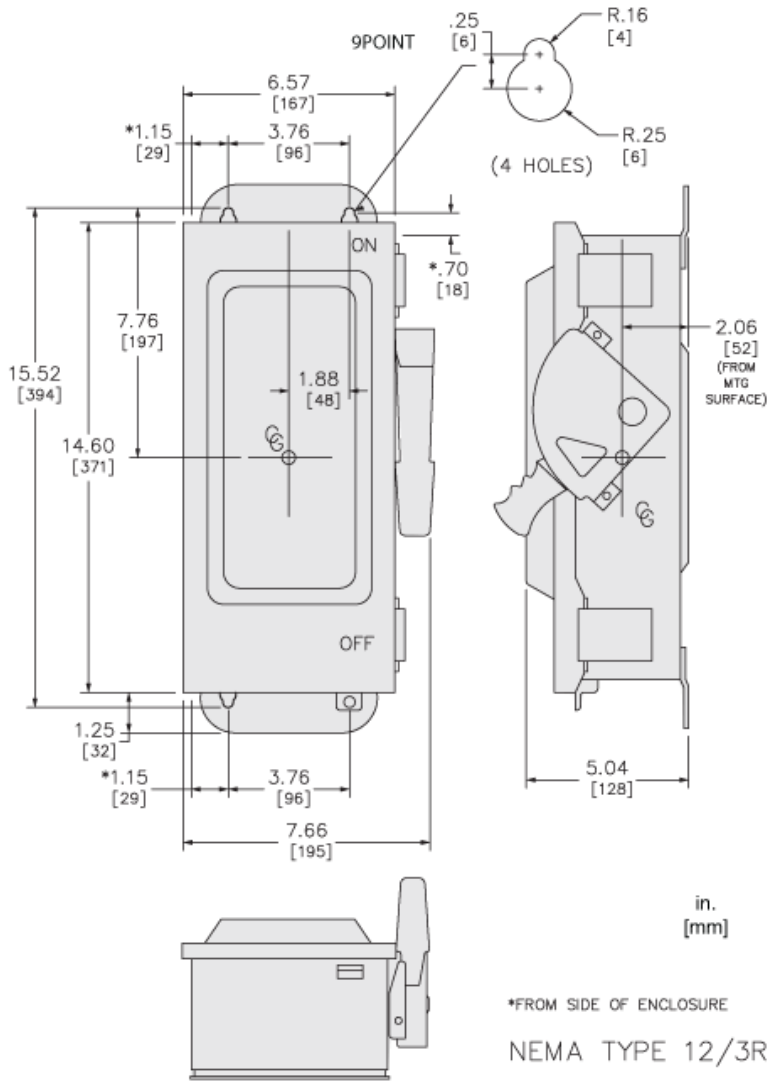
## Packing Units

Unit Type of Package 1	PCE
Number of Units in Package 1	1
Package 1 Height	5.50 in (13.97 cm)
Package 1 Width	7.80 in (19.812 cm)
Package 1 Length	17.50 in (44.45 cm)
Package 1 Weight	10.39 lb(US) (4.713 kg)


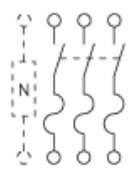

## Offer Sustainability

Sustainable offer status	Green Premium product
California proposition 65	WARNING: This product can expose you to chemicals including: Lead and lead compounds, which is known to the State of California to cause cancer and birth defects or other reproductive harm. For more information go to <a href="http://www.P65Warnings.ca.gov">www.P65Warnings.ca.gov</a>
REACH Regulation	<a href="#">REACH Declaration</a>
REACH free of SVHC	Yes
EU RoHS Directive	Compliant <a href="#">EU RoHS Declaration</a>
Mercury free	Yes
China RoHS Regulation	<a href="#">China RoHS Declaration</a>
RoHS exemption information	<a href="#">Yes</a>
Environmental Disclosure	<a href="#">Product Environmental Profile</a>
PVC free	Yes

Approximate Dimensions



## Connections and Wiring Diagrams

WIRING DIAGRAMS		
FUSIBLE	NOT FUSIBLE	
 H221AWK	 H321AWK H361AWK	 HU361AWK HU361AWKEI