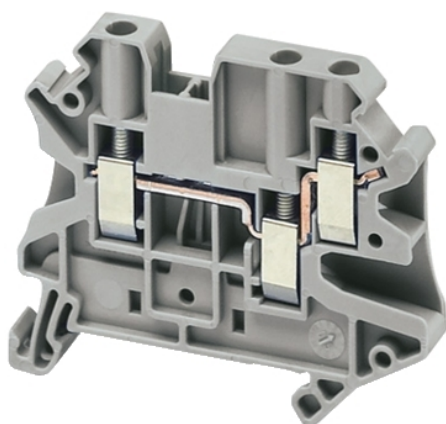


# NSYTRV23

## SCREW TERMINAL, FEED THROUGH, 3 POINTS, 2,5MM<sup>2</sup> , GREY



### Main

Range	Lineryg
Product name	Lineryg TR
Product or Component Type	Terminal block
Device short name	TRV
Terminal block type	Passthrough
Terminal block level	1
Mounting Mode	Clip-on
Nominal cross section	0.00 in <sup>2</sup> (2.5 mm <sup>2</sup> )
Length	2.28 in (57.8 mm)
Color	Gray
Quantity per Set	Set of 50

### Complementary

Width	0.20 in (5.2 mm)
Height	1.87 in (47.5 mm)
Connections - terminals	1 x screw terminal upstream 2 x screw terminal downstream
Number of connections	3
Connection position	Sideways
Number of measurement input	2
Cable cross section	0.00...0.01 In <sup>2</sup> (0.14...4 mm <sup>2</sup> ), flexible without cable end 0.00...0.01 in <sup>2</sup> (0.14...4 mm <sup>2</sup> ), solid
Tightening torque	4.43...5.31 lbf.in (0.5...0.6 N.m)
Wire stripping length	0.35 in (9 mm)
Tool type	Connection screwdriver Disconnection screwdriver
[Ue] rated operational voltage	500 V EN/IEC 60947-7-1 352 V ATEX Exe II Ex II 2 GD 150 V cURus
Line Rated Current	24 A EN/IEC 60947-7-1 22 A ATEX Exe II Ex II 2 GD 20 A cURus
Material	Polyamide 6/6 insulating case
Dielectric loss	0.01 at 1 MHz IEC 60250 0.01 at 1 MHz VDE 0303-T4
Dielectric constant	3.7 at 1 MHz
Resistivity	10000 MΩ.M IEC 60093 10000 MΩ.m VDE 0303-T30
Surface resistance	1000 GΩ IEC 60093 1000 GΩ VDE 0303-T30
Creep resistance	500 CTI (> 400 kB) IEC 60093 500 CTI (> 400 kB) VDE 0303-T30
Flame retardance	V0 0.03 in (0.8 mm) UL 94
Net Weight	0.49 oz (14 g)

The information provided in this documentation contains general descriptions and/or technical characteristics of the performance of the products contained herein. This documentation is not intended as a substitute for and is not to be used for determining suitability or reliability of these products for specific user applications. It is the duty of any such user or integrator to perform the appropriate and complete risk analysis, evaluation and testing of the products with respect to the relevant specific application or use thereof. Neither Schneider Electric Industries SAS nor any of its affiliates or subsidiaries shall be responsible or liable for misuse of the information contained herein.

Range compatibility	Prisma G Prisma P Prisma PH Prisma Pack Spacial Kaedra Pragma TeSys
Product Compatibility	Spacial enclosures

## Environment

Product Certifications	EAC CURus CSA IEC-Ex ATEX
Dielectric strength	1000 V IEC 60243-1
Ambient air temperature for operation	-40...266 °F (-40...130 °C) IEC 60216-1 -40...266 °F (-40...130 °C) VDE 0304-T21

## Ordering and shipping details

Category	21715-IEC TERMINAL BLOCKS-NSY,AM1,DF6,GK1
Discount Schedule	CP5
GTIN	3606480794261
Returnability	No

## Packing Units

Unit Type of Package 1	PCE
Number of Units in Package 1	1
Package 1 Height	2.05 in (5.2 cm)
Package 1 Width	2.28 in (5.8 cm)
Package 1 Length	2.60 in (6.6 cm)
Package 1 Weight	0.39 oz (11.0 g)
Unit Type of Package 2	BB1
Number of Units in Package 2	50
Package 2 Height	2.09 in (5.3 cm)
Package 2 Width	2.64 in (6.7 cm)
Package 2 Length	10.55 in (26.8 cm)
Package 2 Weight	20.11 oz (570.0 g)
Unit Type of Package 3	S02
Number of Units in Package 3	500
Package 3 Height	5.91 in (15.0 cm)
Package 3 Width	11.81 in (30.0 cm)
Package 3 Length	15.75 in (40.0 cm)
Package 3 Weight	13.57 lb(US) (6.155 kg)

## Offer Sustainability

Sustainable offer status	Green Premium product
California proposition 65	WARNING: This product can expose you to chemicals including: Lead and lead compounds, which is known to the State of California to cause cancer and birth defects or other reproductive harm. For more information go to <a href="http://www.P65Warnings.ca.gov">www.P65Warnings.ca.gov</a>
REACH Regulation	 <a href="#">REACH Declaration</a>
EU RoHS Directive	Pro-active compliance (Product out of EU RoHS legal scope)  <a href="#">EU RoHS Declaration</a>
Mercury free	Yes
China RoHS Regulation	 <a href="#">China RoHS Declaration</a>

---

RoHS exemption information

 Yes

---

Environmental Disclosure

 [Product Environmental Profile](#)

---