

HU361AWKEI

Safety switch, heavy duty, non fusible, 30A,
3 wire, 3 poles, 30hp, 600VAC/DC, Type 12,
interlock kit



Main

Product	Single Throw Safety Switch
Duty Rating	Heavy duty
Device Application	Heavy application
Disconnect Type	Non-fusible disconnect
Factory Installed Neutral	None
Phase	3 phase
Number of Poles	3
Current Rating	30 A
Voltage Rating	600 V AC/DC
Enclosure Rating	NEMA 3R/12
Motor power hp	5 Hp at 240 V AC 50-60 Hz for 1 phase motors 10 Hp at 240 V AC 50-60 Hz for 3 phase motors 7.5 Hp at 480 V AC 50-60 Hz for 1 phase motors 20 Hp at 480 V AC 50-60 Hz for 3 phase motors 10 Hp at 600 V AC 50-60 Hz for 1 phase motors 30 Hp at 600 V AC 50-60 Hz for 3 phase motors 5 Hp at 250 V DC 15 hp at 600 V DC

Complementary

Mounting Type	Surface
Wiring configuration	3-wire
Wire Size	AWG 12...AWG 6 aluminium AWG 14...AWG 6 copper
Tightening torque	45 Lbf.In (5.08 N.m) 0.02 in ² (13.3 mm ²) (AWG 6) 40 Lbf.In (4.52 N.m) 0.01 in ² (8.367 mm ²) (AWG 8) 35 lbf.in (3.95 N.m) 0.00...0.01 in ² (2.06...5.261 mm ²) (AWG 14...AWG 10)
Depth	4.96 in (125.98 mm)
Width	7.55 in (191.77 mm)
Height	14.6 in (370.84 mm)
Net Weight	11.02 lb(US) (5 kg)

Environment

Certifications	UL listed file E2875
----------------	----------------------

Ordering and shipping details

Category	00113-H&HU SW,2&3P,N12,30-200A
Discount Schedule	DE1
GTIN	785901156536
Returnability	Yes
Country of origin	US

The information provided in this documentation contains general descriptions and/or technical characteristics of the performance of the products contained herein. This documentation is not intended as a substitute for and is not to be used for determining suitability or reliability of these products for specific user applications. It is the duty of any such user or integrator to perform the appropriate and complete risk analysis, evaluation and testing of the products with respect to the relevant specific application or use thereof. Neither Schneider Electric Industries SAS nor any of its affiliates or subsidiaries shall be responsible or liable for misuse of the information contained herein.

Packing Units

Unit Type of Package 1	PCE
Number of Units in Package 1	1
Package 1 Height	5.40 in (13.716 cm)
Package 1 Width	7.80 in (19.812 cm)
Package 1 Length	17.50 in (44.45 cm)
Package 1 Weight	10.28 lb(US) (4.663 kg)
Unit Type of Package 2	PAL
Number of Units in Package 2	96
Package 2 Height	46.50 in (118.11 cm)
Package 2 Width	40.00 in (101.6 cm)
Package 2 Length	48.00 in (121.92 cm)
Package 2 Weight	1019.00 lb(US) (462.21 kg)

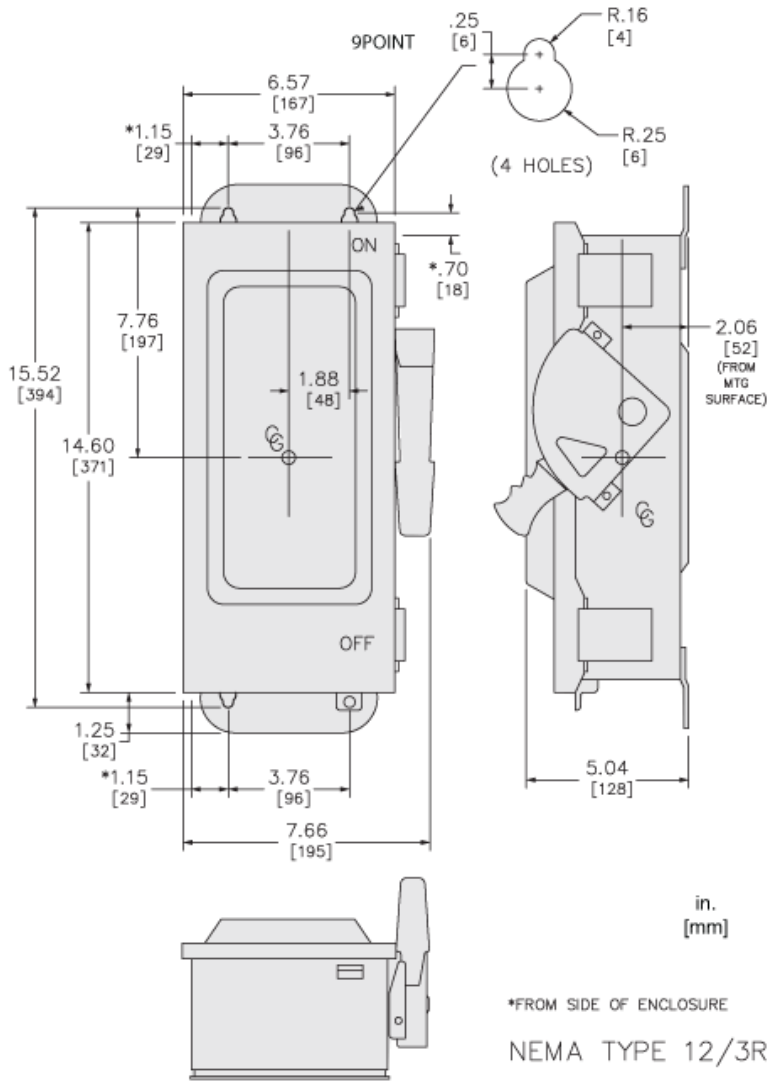
Offer Sustainability

Sustainable offer status	Green Premium product
California proposition 65	WARNING: This product can expose you to chemicals including: Lead and lead compounds, which is known to the State of California to cause cancer and birth defects or other reproductive harm. For more information go to www.P65Warnings.ca.gov
REACH Regulation	REACH Declaration
REACH free of SVHC	Yes
EU RoHS Directive	Compliant EU RoHS Declaration
Mercury free	Yes
China RoHS Regulation	China RoHS Declaration
RoHS exemption information	Yes
Environmental Disclosure	Product Environmental Profile
PVC free	Yes


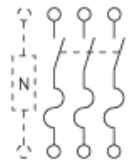

Contractual warranty

Warranty	18 months
----------	-----------

Approximate Dimensions



Connections and Wiring Diagrams

WIRING DIAGRAMS		
FUSIBLE	NOT FUSIBLE	
 H221AWK	 H321AWK H361AWK	 HU361AWK HU361AWKEI