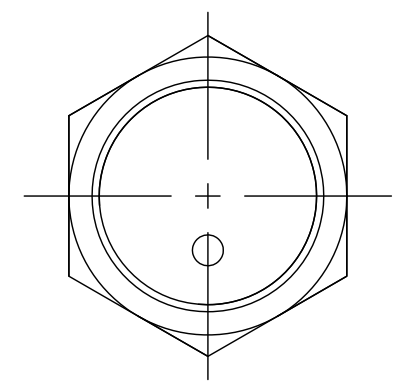


FRONT



RIGHT

DUAL DIMENSIONS: INCHES
MILLIMETERS

PROXIMITY SENSOR 30MM AC/DC XS6



DWG# XS630B1MBL2
NO.