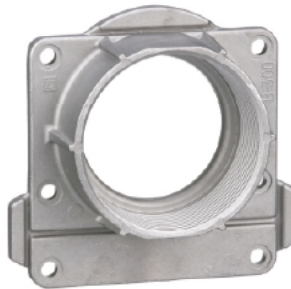


Hubs

Catalog

6660CT9601
08/2022



Legal Information

The Schneider Electric brand and any trademarks of Schneider Electric SE and its subsidiaries referred to in this guide are the property of Schneider Electric SE or its subsidiaries. All other brands may be trademarks of their respective owners.

This guide and its content are protected under applicable copyright laws and furnished for informational use only. No part of this guide may be reproduced or transmitted in any form or by any means (electronic, mechanical, photocopying, recording, or otherwise), for any purpose, without the prior written permission of Schneider Electric.

Schneider Electric does not grant any right or license for commercial use of the guide or its content, except for a non-exclusive and personal license to consult it on an "as is" basis. Schneider Electric products and equipment should be installed, operated, serviced, and maintained only by qualified personnel.

As standards, specifications, and designs change from time to time, information contained in this guide may be subject to change without notice.

To the extent permitted by applicable law, no responsibility or liability is assumed by Schneider Electric and its subsidiaries for any errors or omissions in the informational content of this material or consequences arising out of or resulting from the use of the information contained herein.

Table of Contents

| | |
|------------------------|---|
| Series A and A-L | 5 |
| Series B Hubs..... | 7 |
| Series H Hubs | 9 |

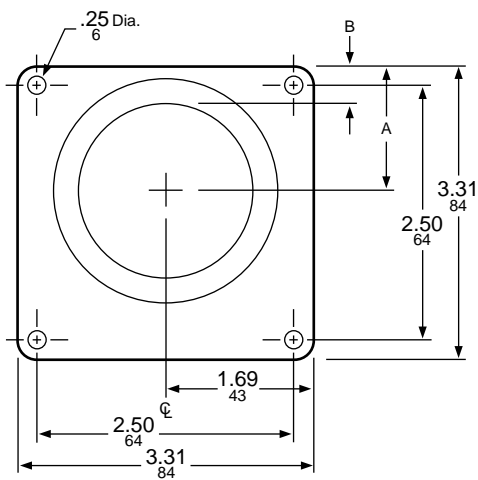
Series A and A-L

Series A Hubs



- Equipment with provisions for A Hubs:
 - Individual Meter Sockets, Class 4131
 - Horizontal Ganged Meter Sockets, Class 4121
 - Combination Service Entrance Devices, Class 4119/4120
- Bolt-on hub supplied with four 12–24 x 3/4 inch slotted hex-washer head screws.

| Conduit Size | Closing Plate | 1 in. | 1¼ in. | 1½ in. | 2 in. | 2½ in. |
|----------------|---------------|-------|--------|--------|-------|--------|
| Catalog Number | ACP | A100 | A125 | A150 | A200 | A250 |



Hub Mounting Dimensions

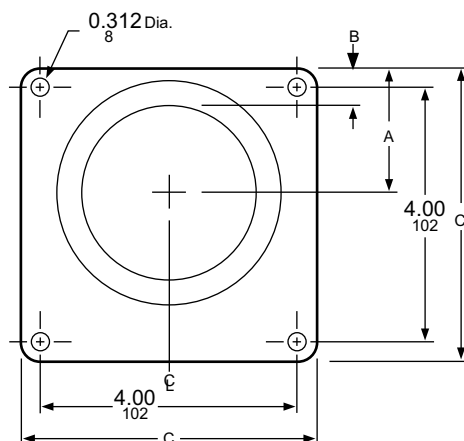
| Hub Catalog Number | Conduit Size in. | "A" | | "B" | |
|--------------------|------------------|------|----|------|----|
| | | in. | mm | in. | mm |
| A100 | 1 | 0.94 | 24 | 0.44 | 11 |
| A125 | 1¼ | 1.00 | 25 | 0.44 | 11 |
| A150 | 1½ | 1.25 | 32 | 0.50 | 13 |
| A200 | 2 | 1.50 | 38 | 0.50 | 13 |
| A250 | 2½ | 1.69 | 43 | 0.44 | 11 |

Series A-L Hubs



- Equipment with provisions for A-L Hubs:
 - Individual Meter Sockets, Class 4131
 - Horizontal Ganged Meter Sockets, Class 4121
 - Combination Service Entrance Devices, Class 4119/4120
- Bolt-on hub supplied with four 1/4–20 x 1/2 inch slotted screws.
- Adapter plate required to allow use of “A” hubs on “A-L” size hub openings: catalog number AAP.

| Conduit Size | Closing Plate | 2 in. | 2½ in. | 3 in. | 4 in. |
|----------------|---------------|-------|--------|-------|-------|
| Catalog Number | ACPL | A200L | A250L | A300L | A400L |

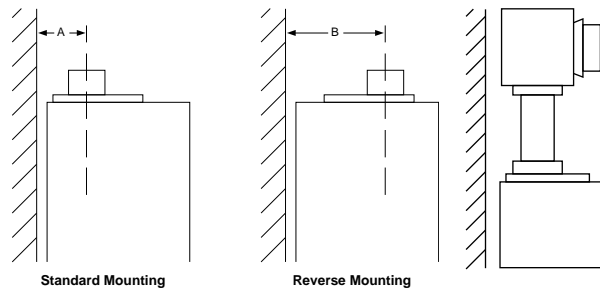


A-L Hub Mounting Dimensions

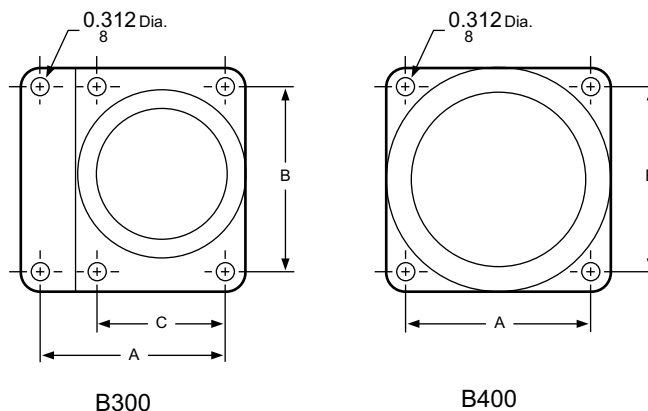
| Hub Catalog Number | Conduit Size | “A” | | “B” | | “C” | |
|--------------------|--------------|------|----|------|----|------|-----|
| | in. | in. | mm | in. | mm | in. | mm |
| A200L | 2 | 1.94 | 49 | 0.94 | 24 | 4.63 | 118 |
| A250L | 2–1/2 | 2.00 | 51 | 0.88 | 22 | 4.63 | 118 |
| A300L | 3 | 2.13 | 54 | 0.63 | 16 | 5.00 | 127 |
| A400L | 4 | 2.50 | 64 | 0.50 | 13 | 5.00 | 127 |

Series B Hubs

- Equipment with provisions for B hubs (NEMA Type 3R) with “RB suffix” in catalog number:
 - QO load centers, Class 1130
 - HomeLine load centers, Class 1170
 - Combination service entrance devices, Class 4119/4120
 - General duty safety switches (30–200 A), Class 3130
 - Heavy duty safety switches (30–200 A), Class 3110
 - Double throw switches (30–200 A), Class 3140
 - Circuit breaker enclosures, Class 610
- B hub provisions are available on NEMA Type 3R devices only with “RB suffix” in catalog number.
- Devices with B hub provisions are supplied with closing cap, catalog number BCAP. To mount B hub, discard BCAP and mount hub with screws from closing cap.
- B300, B400 hubs are supplied with gaskets for devices with “R suffix” in catalog number.
- Typical hub adjustment for RB devices.
- Off-center conduit thread openings eliminate costly conduit offsets and bends.



| Hub Size | Mounting Surface to C/L of Hub Opening | | | | | | | |
|-----------------|--|----|---------|----|-------------|----|---------|----|
| | Dimension A | | | | Dimension B | | | |
| | Minimum | | Maximum | | Minimum | | Maximum | |
| | in. | mm | in. | mm | in. | mm | in. | mm |
| 3/4, 1–1/4 in.. | 1.13 | 29 | 1.50 | 38 | 2.00 | 51 | 2.38 | 60 |
| 1–1/2 in. | 1.25 | 32 | 1.63 | 41 | 1.88 | 48 | 2.25 | 57 |
| 2 in. | 1.50 | 38 | 1.88 | 48 | 1.63 | 41 | 2.00 | 51 |
| 2–1/2 in. | 1.75 | 44 | 1.75 | 44 | 1.75 | 44 | 1.75 | 44 |



| Hub Size | Hub Catalog Number | Mounting Dimensions | | | | | |
|----------|--------------------|---------------------|-----|------|-----|------|----|
| | | A | | B | | C | |
| | | in. | mm | in. | mm | in. | mm |
| 3 in. | B300 | 4.13 | 105 | 4.13 | 105 | 2.63 | 67 |
| 4 in. | B400 | 4.13 | 105 | 4.13 | 105 | - | - |



| Conduit Size | Closing Cap | 3/4 in. | 1 in. | 1-1/4 in. | 1-1/2 in. | 2 in. | 2-1/2 in. | 3 in. | 4 in. |
|----------------|-------------|---------|-------|-----------|-----------|-------|-----------|-------------------|-------|
| Catalog Number | B-CAP | B075 | B100 | B125 | B150 | B200 | B250 | B300 ¹ | B400 |

NOTE: Closing cap (catalog number B-CAP) is provided factory installed on each device having "RB" suffix.

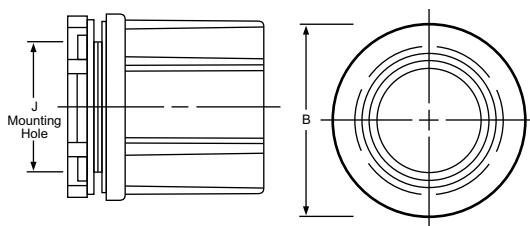
NOTE: Hubs, thru size 2-1/2 in. can be directly installed on "RB" devices. Devices requiring 3 in. or larger, hubs must have holes cut in the field.

1. B300 requires 4 in. (102mm) deep box and will fit knock-out for 2-1/2 in. conduit.

Series H Hubs



- Equipment used on:
 - Heavy duty safety switches (NEMA Type 4, 4X, 5, and 12), Class 3110
 - Circuit Breaker Enclosures, (NEMA Type 4, 4X, 5, and 12) Class 610
- Watertight conduit hub, with gasket and insulated throat.
- Threaded opening for conduit.
- For use with NEMA Type 4, 4X, and 5 Stainless Steel and NEMA type 12 switch and circuit breaker enclosures.



| Conduit Size | | ½ in. | | ¾ in. | | 1 in. | | 1-¼ in. | | 1-½ in. | | 2 in. | | 2-½ in. | | 3 in. | | 3-½ in. | | 4 in. | |
|----------------------------------|------|--------|----|--------|----|--------|----|---------|----|---------|----|--------|----|---------|----|-------|-----|---------|-----|-------|-----|
| | | in. | mm | in. | mm | in. | mm | in. | mm | in. | mm | in. | mm | in. | mm | in. | mm | in. | mm | in. | mm |
| Mounting Hole "J" | Min. | 0.859 | 22 | 1.075 | 27 | 1.328 | 34 | 1.687 | 43 | 1.859 | 47 | 2.391 | 61 | 2.891 | 73 | 3.516 | 89 | 4.015 | 102 | 4.516 | 115 |
| | Max. | 0.922 | 23 | 1.125 | 29 | 1.406 | 36 | 1.766 | 45 | 2.015 | 51 | 2.547 | 65 | 3.047 | 77 | 3.672 | 93 | 4.175 | 106 | 4.672 | 119 |
| Outside Diameter "B" | | 1.203 | 31 | 1.625 | 41 | 1.891 | 48 | 2.312 | 59 | 2.625 | 67 | 3.156 | 80 | 3.703 | 94 | 4.312 | 110 | 4.813 | 122 | 5.312 | 135 |
| Standard-Zinc Hub Catalog Number | | H050 | | H075 | | H100 | | - | | - | | H200 | | - | | H300 | | H350 | | H400 | |
| Chrome Plated Hub Catalog Number | | H050CP | | H075CP | | H100CP | | - | | H150CP | | H200CP | | - | | - | | - | | - | |

Schneider Electric
800 Federal Street
01810 Andover, MA
USA

888-778-2733

www.se.com

As standards, specifications, and design change from time to time,
please ask for confirmation of the information given in this publication.

© 1996 – 2022 Schneider Electric. All rights reserved.

6660CT9601