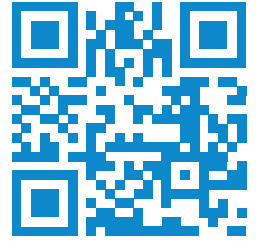
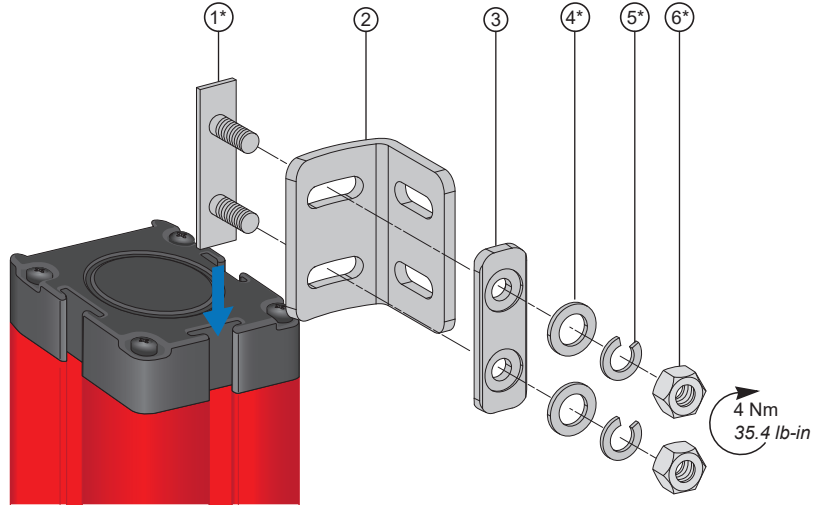
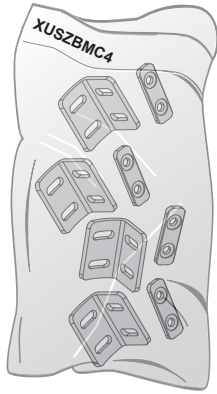
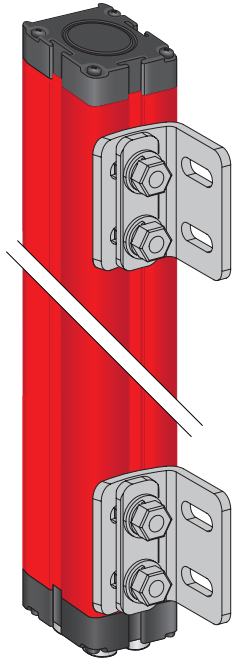


Curved Bracket (Original instruction sheet)

Flash the Qr-code to access the complete User Manual and this Instruction Sheet in different languages.



<http://qr.tesensors.com/XU0006>

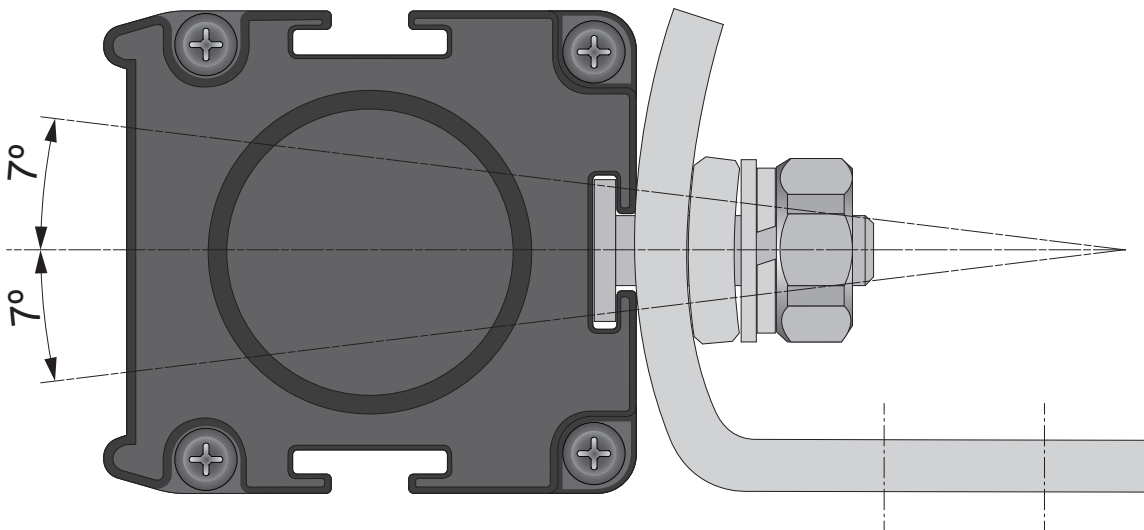


- ① Insert
- ② Curved Bracket
- ③ Plate
- ④ Washer
- ⑤ Spring washer
- ⑥ Nut

(*) : Supplied with the safety light curtain pair

Curved Brackets reference	For use with Safety Light Curtains	Curved Brackets reference	For use with Safety Light Curtains
XUSZBMC4 (Set of 4)	Protected height up to Hp= 1060 mm / 41.7 in.	XUSZBMC6 (Set of 6)	Protected height from Hp= 1210 mm / 47.6 in.

Safety Light Curtain Angle Setting



Ⓜ Electrical equipment should be installed, operated, serviced, and maintained only by qualified personnel. No responsibility is assumed by Schneider Electric for any consequences arising out of the use of this material.

© 2018 Schneider Electric. "All Rights Reserved."

Dimensions

mm
in.

