



Main

Range of Product	Modicon Momentum automation platform
Product or Component Type	Discrete output base DC
Group of channels	2 groups of 16 outputs
Discrete output number	32
Discrete output type	Solid state switch
Discrete output voltage	24 V DC
Current per channel	0.5 A
Short-circuit protection	Outputs electronically protected
Protective treatment	TC

Complementary

[Ue] rated operational voltage	24 V DC
Discrete output current	16 A per module 8 A per group
Maximum leakage current	1 mA 24 V DC
Surge current	5 A 1 ms
Maximum voltage drop	<0.5 V 0.5 A at state 1
Output overload protection	Outputs electronically protected
Response time	0.1 ms from state 0 to state 1 0.1 ms from state 1 to state 0
Isolation between channels and bus	500 V AC
Power dissipation	6 W typical 7.5 W maximum
Marking	CE
Local signalling	For channel status 32 LEDs
Current consumption	250 mA 24 V DC
Terminals description PLC n°1	(15)OUT_DIS#15 TB (2)OUT_DIS#2 (8)OUT_DIS#8 (L+)PW_POS (16)OUT_DIS#16 (7)OUT_DIS#7 (M-)PW_NEG (12)OUT_DIS#12 (9)OUT_DIS#9 (11)OUT_DIS#11 (14)OUT_DIS#14 (1)OUT_DIS#1 (5)OUT_DIS#5 (10)OUT_DIS#10 (13)OUT_DIS#13 (3)OUT_DIS#3 (4)OUT_DIS#4 (6)OUT_DIS#6

Terminals description PLC n°2	(6)OUT_DIS#22 (4)OUT_DIS#20 (7)OUT_DIS#23 (2L+)PW_POS (3)OUT_DIS#19 TB_1 (8)OUT_DIS#24 (10)OUT_DIS#26 (12)OUT_DIS#28 (2)OUT_DIS#18 (13)OUT_DIS#29 (16)IN_DIS#32 (11)OUT_DIS#27 (14)OUT_DIS#30 (15)OUT_DIS#31 (5)OUT_DIS#21 (9)OUT_DIS#25 (1)OUT_DIS#17 (1L+)PW_POS
Depth	1.87 in (47.5 mm)
Height	5.57 in (141.5 mm)
Width	4.92 in (125 mm)
Net Weight	0.46 lb(US) (0.21 kg)

Environment

Product Certifications	CSA UL
Resistance to electrostatic discharge	4 KV contact IEC 801-2 8 kV on air IEC 801-2
Resistance to electromagnetic fields	9.14 V/m (10 V/m) 80...1000 MHz IEC 801-3
Ambient Air Temperature for Operation	32...140 °F (0...60 °C)
Ambient Air Temperature for Storage	-40...185 °F (-40...85 °C)
Relative Humidity	95 % without condensation
Operating altitude	<= 16404.2 ft (5000 m)

Ordering and shipping details

Category	18206-MOMENTUM PROCESSORS,I/O BASES,CONN.
Discount Schedule	PC31
GTIN	3595861147676
Returnability	No
Country of origin	ID

Packing Units

Unit Type of Package 1	PCE
Number of Units in Package 1	1
Package 1 Height	2.17 in (5.5 cm)
Package 1 Width	7.09 in (18.0 cm)
Package 1 Length	10.24 in (26.0 cm)
Package 1 Weight	14.22 oz (403.0 g)
Unit Type of Package 2	S03
Number of Units in Package 2	10
Package 2 Height	11.81 in (30.0 cm)
Package 2 Width	11.81 in (30.0 cm)
Package 2 Length	15.75 in (40.0 cm)
Package 2 Weight	10.02 lb(US) (4.545 kg)

Offer Sustainability

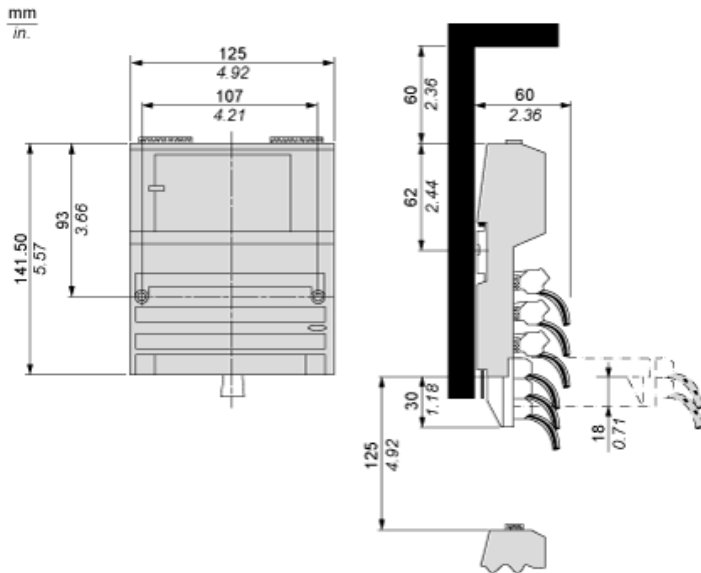
Sustainable offer status	Green Premium product
California proposition 65	WARNING: This product can expose you to chemicals including: Lead and lead compounds, which is known to the State of California to cause cancer and birth defects or other reproductive harm. For more information go to www.P65Warnings.ca.gov
REACH Regulation	REACH Declaration
EU RoHS Directive	Pro-active compliance (Product out of EU RoHS legal scope) EU RoHS Declaration
Mercury free	Yes
China RoHS Regulation	China RoHS Declaration
RoHS exemption information	Yes
Environmental Disclosure	Product Environmental Profile
Circularity Profile	End Of Life Information
WEEE	The product must be disposed on European Union markets following specific waste collection and never end up in rubbish bins.

Contractual warranty

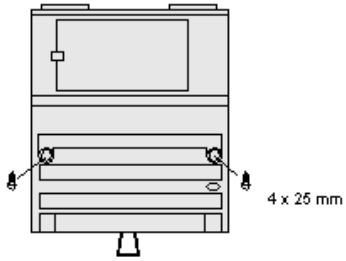
Warranty	18 months
----------	-----------

Standard Adapter on a Typical Base

Dimensions

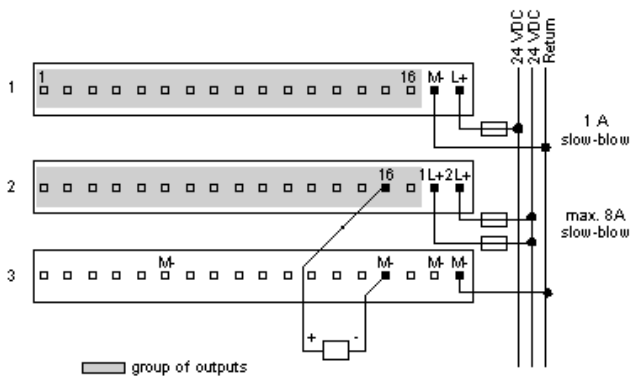


Mounting on a Wall

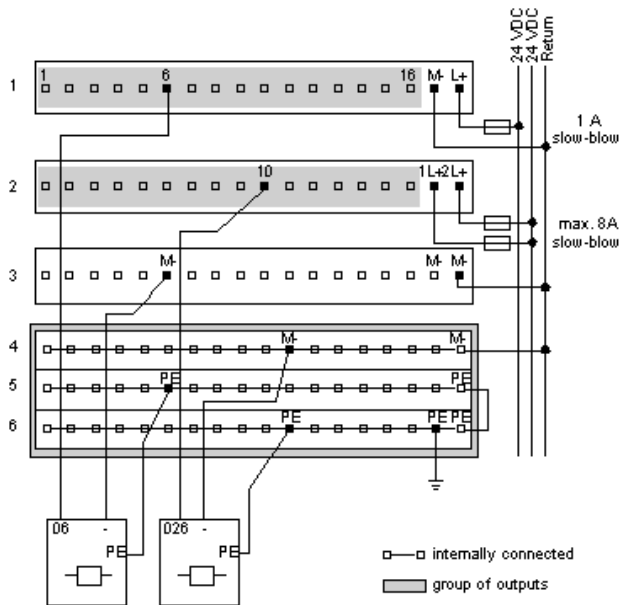


External Wiring Diagrams

2-Wire Actuator



3-Wire Actuators



Internal Pin Connections

Rows 1 through 3 show the internal connections between terminals on the I/O base. Rows 4 through 6 show the internal connections on the optional busbar.

