



Main

Range of Product	Lexium 28
Product or Component Type	Motion servo drive
Device short name	LXM28S
Format of the drive	Compact housing
Line current	3.8 A 211.6 % 220 V, single phase 3.8 A 183.7 % 220 V, three phase

Complementary

Phase	Three phase Single phase
[Us] rated supply voltage	220 V - 10...15 % three phase 220 V - 20...15 % single phase
Supply voltage limits	200...255 V three phase 170...255 V single phase
Supply frequency	50/60 Hz - 5...5 %
Network Frequency	47.5...63 Hz
EMC filter	Without EMC filter
Continuous output current	2.6 A 16 kHz
Output current 3s peak	7.8 A 220 V
Continuous power	400 W 220 V
Nominal power	0.4 kW 220 V 16 kHz
Switching frequency	16 kHz
Overvoltage category	III
Maximum leakage current	1.3 mA
Output voltage	<= power supply voltage
Electrical isolation	Between power and control
Type of cable	Shielded motor cable 32...131 °F (0...55 °C)) copper
Electrical connection	Spring terminal 0.82...1 mm ² , AWG 18 L1-L2) Spring terminal 0.82...1 mm ² , AWG 18 R, S, T) Spring terminal 0.82...1 mm ² , AWG 18 U, V, W, PE) Spring terminal 0.82...1 mm ² , AWG 18 PA/+, PBe)
Discrete input number	8 programmable CN1) 2 fast capture CN1) 1 safety function STO CN9)
Discrete input voltage	24 V DC logic
Discrete input logic	Positive or negative CN1)
Discrete output number	4 logic output CN1)12...24 V DC 1 pulse train output (PTO) CN1)
Discrete output voltage	12...24 V DC
Discrete output logic	Positive or negative CN1)
Control signal type	Servo motor encoder feedback CN2

The information provided in this documentation contains general descriptions and/or technical characteristics of the performance of the products contained herein. This documentation is not intended as a substitute for and is not to be used for determining suitability or reliability of these products for specific user applications. It is the duty of any such user or integrator to perform the appropriate and complete risk analysis, evaluation and testing of the products with respect to the relevant specific application or use thereof. Neither Schneider Electric Industries SAS nor any of its affiliates or subsidiaries shall be responsible or liable for misuse of the information contained herein.

Protection type	Against reverse polarity inputs signal Against short-circuits outputs signal Overcurrent motor Overvoltage motor Undervoltage motor Overheating motor Overload motor Overspeed motor
Safety function	STO (safe torque off), Integrated
Safety level	SIL 2 IEC 61800-5-2 2007 SIL 2 IEC 61508-1 2010 PL d/category 3 EN/ISO 13849-1 2008 SIL 2 EN/ISO 13849-1 2009/AC SIL 2 EN 60204-1 2006 SIL 2 EN 60204-1 2009/A1 SIL 2 EN 60204-1 2010/AC SIL 2 IEC 62061 2012
Communication interface	Modbus, Integrated SERCOS III, Integrated
Connector type	RJ45 CN3) RJ45 CN4)
Method of access	Slave
Transmission rate	9600 bauds...115200 bauds (automatic detection) 328.08 ft (100 m)
Status LED	1 LED (Red) charge 1 LED (Green) RUN 1 LED (Red) error
Signalling function	Servo status and fault codes five 7-segment display units
Marking	CSA CE CULus
Type of cooling	Natural convection
Operating position	Vertical
Product compatibility	Servo motor BCH2 2.36 in (60 mm), 2 400 W Servo motor BCH2 3.15 in (80 mm), 1 400 W Servo motor BCH2 5.12 in (130 mm), 1 300 W
Width	2.17 in (55 mm)
Height	5.91 in (150 mm)
Depth	5.75 in (146 mm)
Net Weight	2.20 lb(US) (1 kg)
Output current 3s peak 2	7.8 A 220 V
Output current 3s peak 3	7.8 A 220 V

Environment

Electromagnetic compatibility	Conducted emission level 3category C3 EN/IEC 61800-3
Standards	EN/IEC 61800-5-1
Product Certifications	CULus CSA CE
IP degree of protection	IP20
Vibration resistance	3M4 3 mm 9...200 Hz)IEC 60721-3-3
Shock resistance	10 gn, type I IEC 60721-3-3
Relative humidity	5...95 % without condensation
Ambient Air Temperature for Operation	32...131 °F (0...55 °C)
Ambient Air Temperature for Storage	-13...149 °F (-25...65 °C)
Operating altitude	<= 3280.84 ft (1000 m) without derating > 3280.84...6561.68 ft (> 1000...2000 m) 1 % per 100 m

Ordering and shipping details

Category	18262-LEXIUM 23/28 SERVO DRIVES
Discount Schedule	PC51
GTIN	3606489934347
Returnability	No
Country of origin	CN

Packing Units

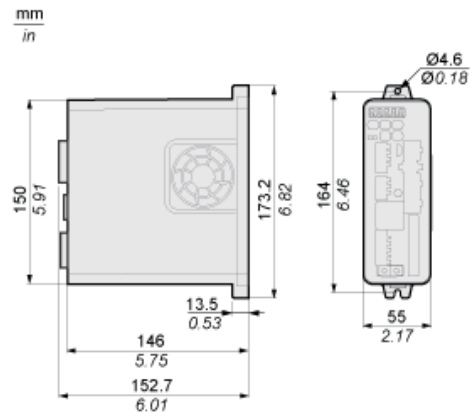
Unit Type of Package 1	PCE
Number of Units in Package 1	1
Package 1 Height	2.95 in (7.5 cm)
Package 1 Width	9.06 in (23.0 cm)
Package 1 Length	9.25 in (23.5 cm)
Package 1 Weight	2.90 lb(US) (1.315 kg)
Unit Type of Package 2	S03
Number of Units in Package 2	5
Package 2 Height	11.81 in (30.0 cm)
Package 2 Width	11.81 in (30.0 cm)
Package 2 Length	15.75 in (40.0 cm)
Package 2 Weight	15.82 lb(US) (7.178 kg)

Offer Sustainability

Sustainable offer status	Green Premium product
California proposition 65	WARNING: This product can expose you to chemicals including: Lead and lead compounds, which is known to the State of California to cause cancer and birth defects or other reproductive harm. For more information go to www.P65Warnings.ca.gov
REACH Regulation	REACH Declaration
REACH free of SVHC	Yes
EU RoHS Directive	Pro-active compliance (Product out of EU RoHS legal scope) EU RoHS Declaration
Mercury free	Yes
China RoHS Regulation	China RoHS Declaration
RoHS exemption information	Yes
Environmental Disclosure	Product Environmental Profile
Circularity Profile	End Of Life Information
WEEE	The product must be disposed on European Union markets following specific waste collection and never end up in rubbish bins.
PVC free	Yes

Dimensions

Dimensions of Drive



Mounting Clearance

Mounting Distances and Air Circulation

mm
in.

