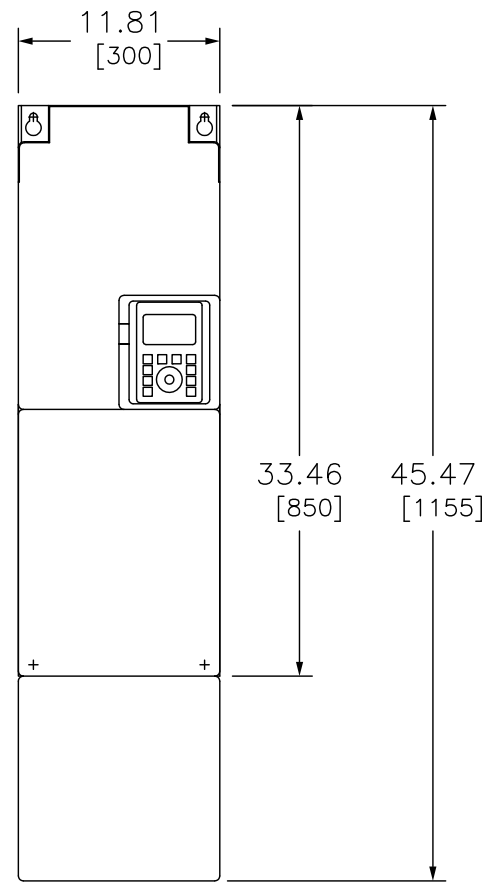
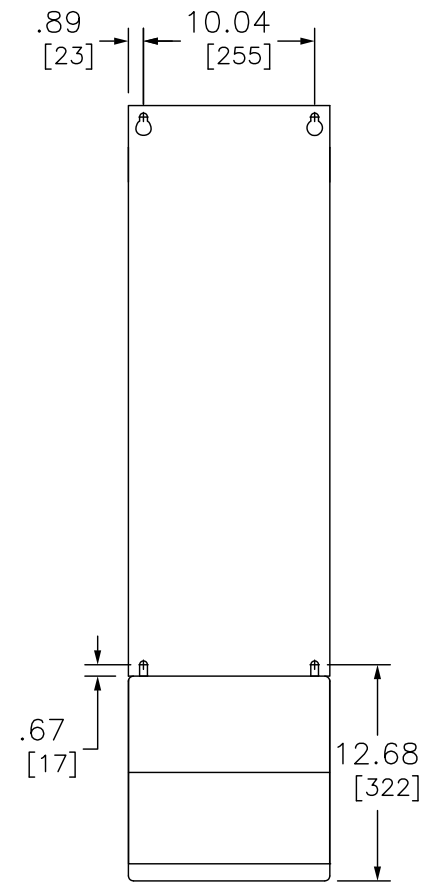


SIDE



FRONT



BACK

DUAL DIMENSIONS: INCHES
MILLIMETERS

SPEEDDRIVE, IP00
150HP, 400V/480V
W/O BC



DWG# NO. ATV930C11N4C