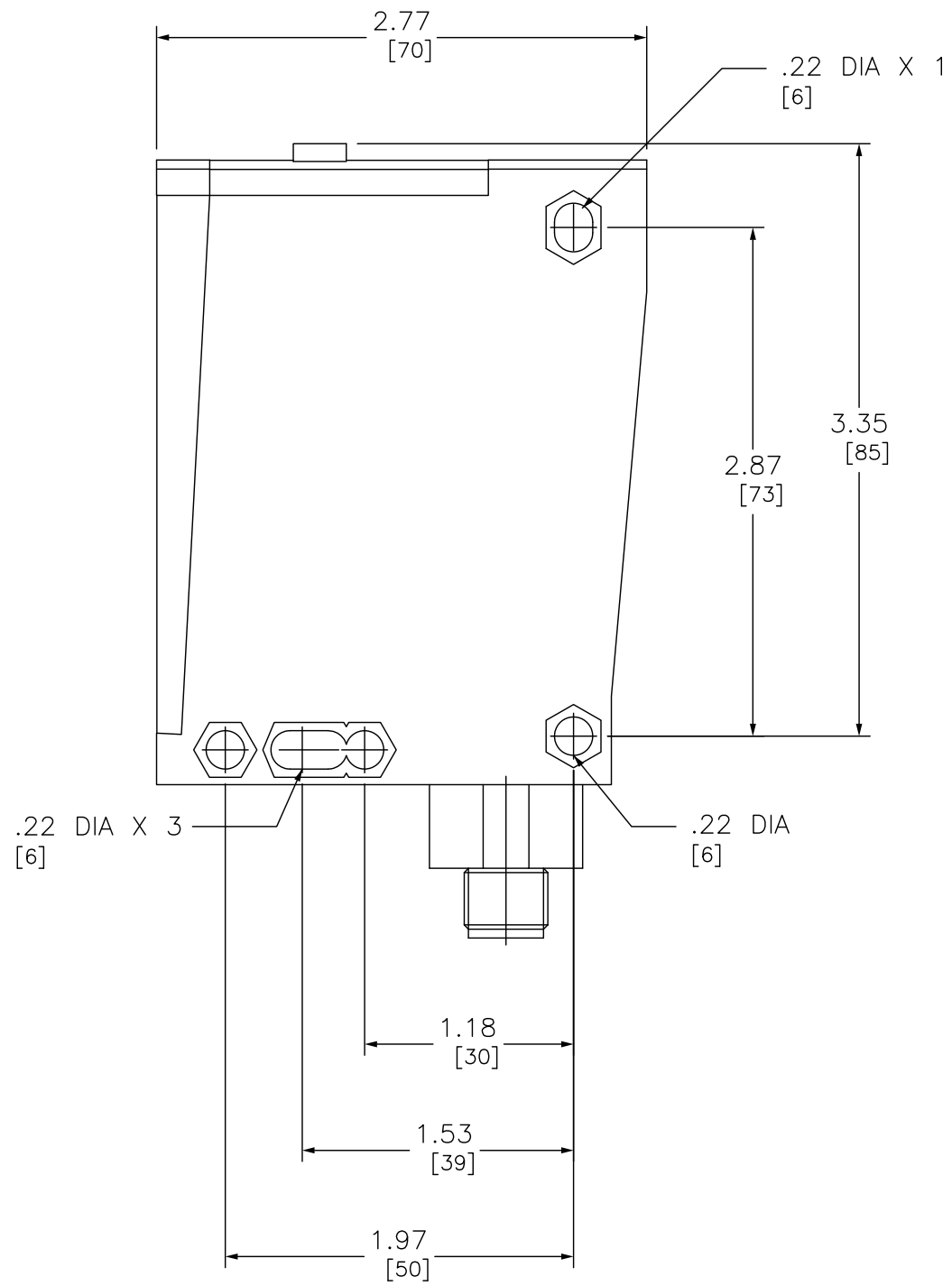


FRONT



RIGHT

DUAL DIMENSIONS: INCHES
MILLIMETERS

PHOTOELECTRIC SENSOR COMPACT XUX



DWG# XUX0AKSAM12
NO.