

XY2CEDA196

Dual emergency stop rope pull switch,
Telemecanique rope pull switches XY2C, e
2x(1NC+1NO), Pg13.5, flush pb, pilot light



Main

| | |
|---------------------------|--|
| Range of Product | Telemecanique Emergency stop rope pull switches XY2C |
| Product or Component Type | Dual emergency stop rope pull switch |
| Device short name | XY2CED |
| Housing colour | Red RAL 3000 |
| Overvoltage category | Class I EN/IEC 61140 |

Complementary

| | |
|--|---|
| Local signalling | With pilot light, yellow, 24...130 V |
| Number of cables | 2 |
| Trigger cable maximum length | 2 x 328.08 ft (100 m) |
| Bellow material | Nitril |
| Body Material | Zamak |
| Cover Material | Stainless steel |
| Reset | By flush push-button |
| Contacts type and composition | 2 x (1 NC + 1 NO) |
| Contact operation | Slow-break |
| Trigger cable anchor point | RH and LH sides |
| Connections - terminals | Screw clamp terminal, 1 x 0.5...2 x 1.5 mm ² |
| Tightening torque | 7.08...10.62 lbf.in (0.8...1.2 N.m) |
| Cable entry number | 3 plain hole Pg 13.5 or ISO M20 cable gland |
| Safety level | Can reach PL = e with the appropriate monitoring system and correctly wired EN/ISO 13849-1 Can reach category 4 with the appropriate monitoring system and correctly wired EN/ISO 13849-1 Can reach SIL 3 with the appropriate monitoring system and correctly wired EN/IEC 61508 |
| Safety reliability data | B10d = 300000 value given for a life time of 20 years limited by mechanical or contact wear IEC 60947-5-5 |
| Marking | CE |
| Mechanical durability | 60000 cycles |
| Distance between cable supports | 9.84...16.40 ft (3...5 m) |
| [Ie] rated operational current | 3 A 240 V, AC-15, A300 EN/IEC 60947-5-1 appendix A 0.27 A 250 V, DC-13, Q300 EN/IEC 60947-5-1 appendix A |
| [Ithe] conventional enclosed thermal current | 10 A |
| [Ui] rated insulation voltage | 500 V 3)EN/IEC 60947-1 300 VUL 508 300 VCSA C22.2 No 14 |
| [Uimp] rated impulse withstand voltage | 6 kV EN/IEC 60947-1 |
| Positive opening | With EN/IEC 60947-5-1 |
| Maximum resistance across terminals | 25 MOhm EN/IEC 60255-7 category 3 |
| Short-circuit protection | 10 A cartridge fuse gG EN/IEC 60269 |
| Terminals description ISO n°1 | (13-14)NO (21-22)NC |

The information provided in this documentation contains general descriptions and/or technical characteristics of the performance of the products contained herein. This documentation is not intended as a substitute for and is not to be used for determining suitability or reliability of these products for specific user applications. It is the duty of any such user or integrator to perform the appropriate and complete risk analysis, evaluation and testing of the products with respect to the relevant specific application or use thereof. Neither Schneider Electric Industries SAS nor any of its affiliates or subsidiaries shall be responsible or liable for misuse of the information contained herein.

| | |
|--------------------|----------------------|
| Net Weight | 4.19 lb(US) (1.9 kg) |
| Compatibility code | XY2CED |

Environment

| | |
|---------------------------------------|---|
| Standards | EN/IEC 60204-1 EN/IEC 60947-5-5 EN/ISO 13850 CSA C22.2 No 14 Work equipment directive 2009/104/EC Machinery directive 2006/42/EC UL 508 EN/IEC 60947-5-1 |
| Product certifications | UL category NISD emergency stop devices CSA CCC EAC |
| Protective treatment | TC |
| Ambient Air Temperature for Operation | -13...158 °F (-25...70 °C) |
| Ambient Air Temperature for Storage | -40...158 °F (-40...70 °C) |
| Vibration resistance | 10 gn 10...300 Hz)EN/IEC 60068-2-6 |
| Shock resistance | 50 gn 11 ms EN/IEC 60068-2-27 |
| IP degree of protection | IP66 IEC 60529 |

Ordering and shipping details

| | |
|-------------------|---------------------------------|
| Category | 22441-LIMIT SWITCHES,CABLE PULL |
| Discount Schedule | T |
| GTIN | 3606480879975 |
| Returnability | No |
| Country of origin | MA |

Packing Units

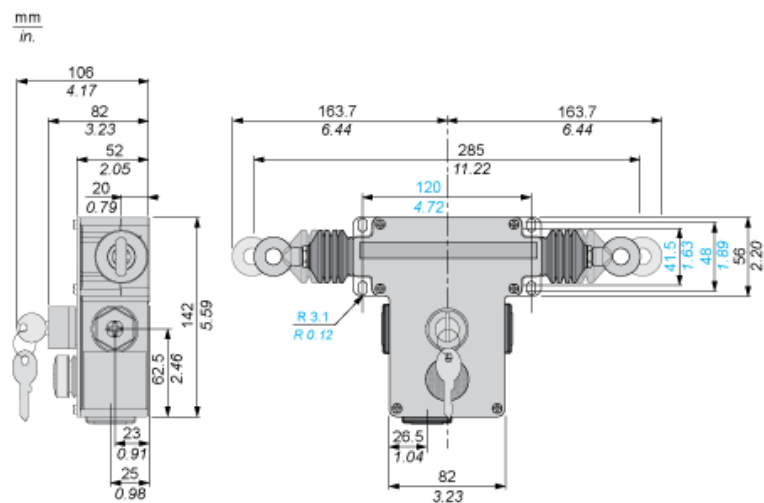
| | |
|------------------------------|-----------------------|
| Unit Type of Package 1 | PCE |
| Number of Units in Package 1 | 1 |
| Package 1 Height | 4.02 in (10.2 cm) |
| Package 1 Width | 6.26 in (15.9 cm) |
| Package 1 Length | 12.17 in (30.9 cm) |
| Package 1 Weight | 4.74 lb(US) (2.15 kg) |

Offer Sustainability

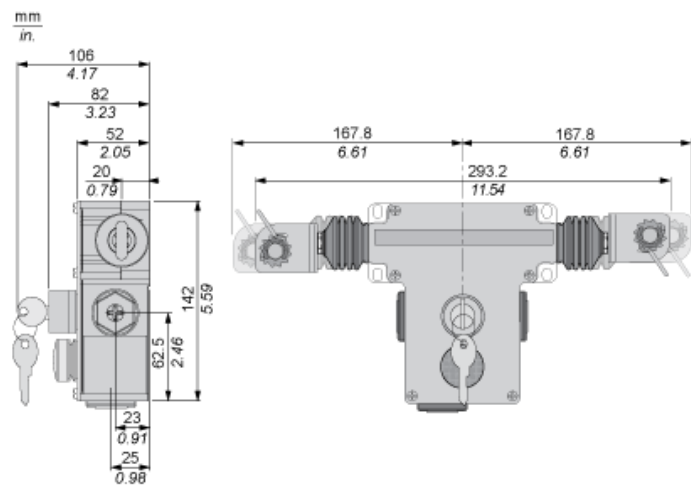
| | |
|----------------------------|---|
| Sustainable offer status | Green Premium product |
| California proposition 65 | WARNING: This product can expose you to chemicals including: Diisononyl phthalate (DINP), which is known to the State of California to cause cancer, and Di-isodecyl phthalate (DIDP), which is known to the State of California to cause birth defects or other reproductive harm. For more information go to www.P65Warnings.ca.gov |
| REACH Regulation | REACH Declaration |
| EU RoHS Directive | Pro-active compliance (Product out of EU RoHS legal scope) EU RoHS Declaration |
| Mercury free | Yes |
| RoHS exemption information | Yes |
| Environmental Disclosure | Product Environmental Profile |

Dimensions

Without Tensioner



With Tensioners



Electrical Curves

AC Supply 50/60 Hz. \sim Inductive Circuit

2-pole Contact Block



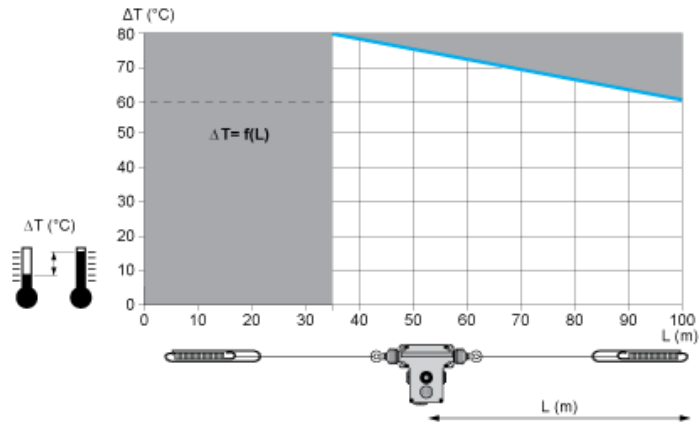
(y) Millions of operating cycles
(x) Current in A

DC Supply. Power Broken in W for 1 Million Operating Cycles. \sim Inductive Circuit

| | | | | |
|---------|---|----|----|-----|
| Voltage | V | 24 | 48 | 120 |
| \sim | W | 13 | 9 | 7 |

Mounting and Clearance

Adjustment Values (With End Spring)



In Prohibited zone
grey :