



## Main

|                           |   |
|---------------------------|---|
| Range of Product          | Lexium 28   |
| Product or Component Type | Motion servo drive  |
| Device short name         | LXM28A  |
| Format of the drive       | Compact housing   |
| Line current              | 10 A 166.6 % 220 V, single phase<br>10 A 144.8 % 220 V, three phase |

## Complementary

|                           |  |
|---------------------------|--|
| Phase                     | Three phase<br>Single phase  |
| [Us] rated supply voltage | 220 V - 10...15 % three phase<br>220 V - 20...15 % single phase  |
| Supply voltage limits     | 200...255 V three phase<br>170...255 V single phase  |
| Supply frequency          | 50/60 Hz - 5...5 %   |
| Network Frequency         | 47.5...63 Hz   |
| EMC filter                | Without EMC filter   |
| Continuous output current | 7 A 16 kHz   |
| Output current 3s peak    | 21 A 220 V   |
| Continuous power          | 1500 W 220 V   |
| Nominal power             | 1.5 kW 220 V 16 kHz  |
| Switching frequency       | 16 kHz   |
| Overvoltage category      | III  |
| Maximum leakage current   | 4.5 mA   |
| Output voltage            | <= power supply voltage  |
| Electrical isolation      | Between power and control  |
| Type of cable             | Shielded motor cable 32...131 °F (0...55 °C)) copper   |
| Electrical connection     | Spring terminal 1.3...1.5 mm <sup>2</sup> , AWG 16 L1-L2)<br>Spring terminal 1.3...1.5 mm <sup>2</sup> , AWG 16 R, S, T)<br>Spring terminal 1.3...1.5 mm <sup>2</sup> , AWG 16 U, V, W, PE)<br>Spring terminal 1.3...1.5 mm <sup>2</sup> , AWG 16 PA/+, PBe) |
| Discrete input number     | 8 programmable CN1)<br>1 pulse train input (PTI) CN1)<br>2 fast capture CN1)<br>1 safety function STO CN9)   |
| Discrete input voltage    | 24 V DC logic  |
| Discrete input logic      | Positive or negative CN1)  |
| Discrete output number    | 5 logic output CN1)12...24 V DC<br>1 pulse train output (PTO) CN1)   |
| Discrete output voltage   | 12...24 V DC   |
| Discrete output logic     | Positive or negative CN1)  |
| Analogue input number     | 2  |
| Absolute accuracy error   | 0.1 %  |
| Analogue input type       | V_REF voltage analog input - 10...10 V 10 kOhm 14 bits<br>T_REF voltage analog input   |

|                          |  |
|--------------------------|--|
| Control signal type      | Servo motor encoder feedback CN2   |
| Protection type          | Against reverse polarity inputs signal<br>Against short-circuits outputs signal<br>Overcurrent motor<br>Overvoltage motor<br>Undervoltage motor<br>Overheating motor<br>Overload motor<br>Overspeed motor                          |
| Safety function          | STO (safe torque off), Integrated  |
| Safety level             | SIL 2 IEC 61800-5-2 2007<br>SIL 2 IEC 61508-1 2010<br>PL d/category 3 EN/ISO 13849-1 2008<br>SIL 2 EN/ISO 13849-1 2009/AC<br>SIL 2 EN 60204-1 2006<br>SIL 2 EN 60204-1 2009/A1<br>SIL 2 EN 60204-1 2010/AC<br>SIL 2 IEC 62061 2012 |
| Communication interface  | CANopen, Integrated<br>CANmotion, Integrated   |
| Connector type           | RJ45 CN4)CANopen, CANmotion  |
| Method of access         | Slave  |
| Transmission rate        | 250 kbit/s 328.08...820.21 ft (100...250 m) CANopen, CANmotion<br>500 kbit/s 13.12...328.08 ft (4...100 m) CANopen, CANmotion<br>1 Mbit/s 13.12 ft (4 m) CANopen, CANmotion  |
| Number of addresses      | 1...127 CANopen, CANmotion   |
| Physical interface       | RS485 Modbus Serial line slave   |
| Status LED               | 1 LED (Red) charge<br>1 LED (Green) RUN<br>1 LED (Red) error   |
| Signalling function      | Servo status and fault codes five 7-segment display units  |
| Marking                  | CULus<br>CSA<br>CE   |
| Type of cooling          | Integrated fan   |
| Operating position       | Vertical   |
| Product compatibility    | Servo motor BCH2 5.12 in (130 mm), 3 1500 W  |
| Width                    | 2.17 in (55 mm)  |
| Height                   | 5.91 in (150 mm)   |
| Depth                    | 6.69 in (170 mm)   |
| Net Weight               | 2.65 lb(US) (1.2 kg)   |
| Output current 3s peak 2 | 21 A 220 V   |
| Output current 3s peak 3 | 21 A 220 V   |

## Environment

|                                       |   |
|---------------------------------------|---|
| Electromagnetic compatibility         | Conducted emission level 3category C3 EN/IEC 61800-3  |
| Standards                             | EN/IEC 61800-5-1  |
| Product Certifications                | CSA<br>CULus<br>CE  |
| IP degree of protection               | IP20  |
| Vibration resistance                  | 3M4 3 mm 9...200 Hz)IEC 60721-3-3   |
| Shock resistance                      | 10 gn, type I IEC 60721-3-3   |
| Relative humidity                     | 5...95 % without condensation   |
| Ambient Air Temperature for Operation | 32...131 °F (0...55 °C)   |
| Ambient Air Temperature for Storage   | -13...149 °F (-25...65 °C)  |
| Operating altitude                    | <= 3280.84 ft (1000 m) without derating<br>> 3280.84...6561.68 ft (> 1000...2000 m) 1 % per 100 m |

## Ordering and shipping details

|                   |                                 |
|-------------------|---------------------------------|
| Category          | 18262-LEXIUM 23/28 SERVO DRIVES |
| Discount Schedule | PC51                            |
| GTIN              | 3606480711817                   |
| Returnability     | No                              |
| Country of origin | CN                              |

## Packing Units

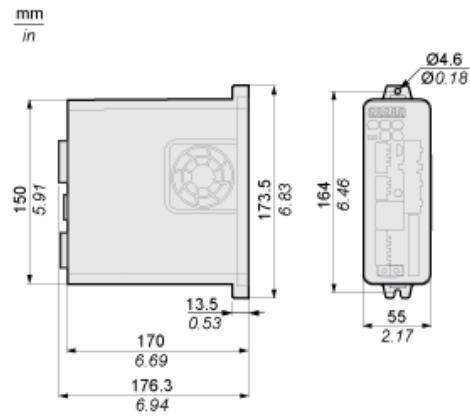
|                              |                         |
|------------------------------|-------------------------|
| Unit Type of Package 1       | PCE                     |
| Number of Units in Package 1 | 1                       |
| Package 1 Height             | 3.00 in (7.621 cm)      |
| Package 1 Width              | 9.04 in (22.955 cm)     |
| Package 1 Length             | 9.34 in (23.731 cm)     |
| Package 1 Weight             | 3.28 lb(US) (1.49 kg)   |
| Unit Type of Package 2       | S03                     |
| Number of Units in Package 2 | 5                       |
| Package 2 Height             | 11.81 in (30 cm)        |
| Package 2 Width              | 11.81 in (30 cm)        |
| Package 2 Length             | 15.75 in (40 cm)        |
| Package 2 Weight             | 17.58 lb(US) (7.974 kg) |

## Offer Sustainability

|                            |   |
|----------------------------|---|
| Sustainable offer status   | Green Premium product   |
| California proposition 65  | WARNING: This product can expose you to chemicals including: Lead and lead compounds, which is known to the State of California to cause cancer and birth defects or other reproductive harm. For more information go to <a href="http://www.P65Warnings.ca.gov">www.P65Warnings.ca.gov</a> |
| REACH Regulation           | <a href="#">REACH Declaration</a>   |
| REACH free of SVHC         | Yes   |
| EU RoHS Directive          | Pro-active compliance (Product out of EU RoHS legal scope) <a href="#">EU RoHS Declaration</a>  |
| Mercury free               | Yes   |
| China RoHS Regulation      | <a href="#">China RoHS Declaration</a>  |
| RoHS exemption information | <a href="#">Yes</a>   |
| Environmental Disclosure   | <a href="#">Product Environmental Profile</a>   |
| Circularity Profile        | <a href="#">End Of Life Information</a>   |
| WEEE                       | The product must be disposed on European Union markets following specific waste collection and never end up in rubbish bins.  |
| PVC free                   | Yes   |

Dimensions

Dimensions of Drive



Mounting Clearance

Mounting Distances and Air Circulation

mm  
in.

