



## XUY Photoelectric Roller Conveyor Sensors

You need a fast, simple, and reliable sensor solution to integrate into your conveyor systems?



### **Optimized installation and maintenance**

Simple, fast with no settings, no alignment, no environment teaching, and optimized mounting with no additional brackets or reflectors required.

### **Full conveyor width detection**

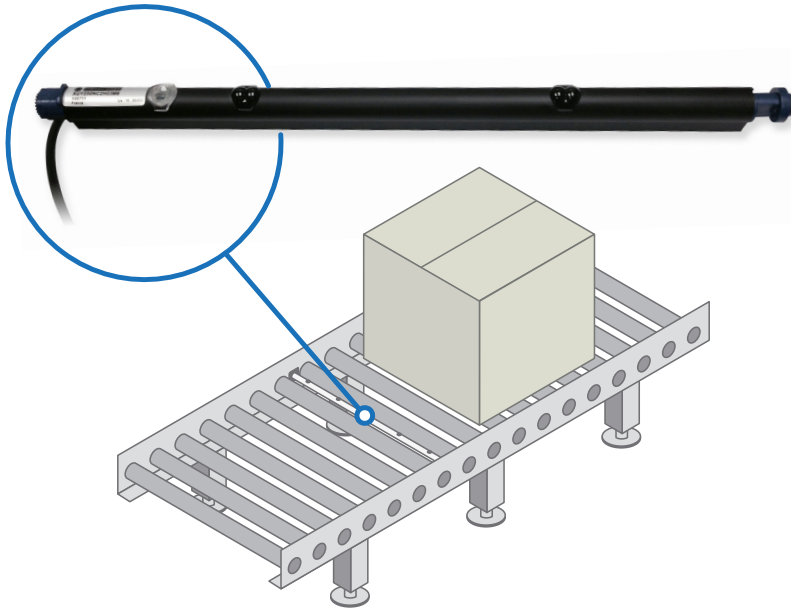
No background or foreground limitations (especially for locations that use high-visibility jackets) while detection is effective on the full width of the conveyor.

### **Shock and vibration protection reduces operation costs**

Embedding the sensor within the conveyor frame eliminates the need for brackets and reflectors, simplifies installation, and reduces maintenance time.

Simply easy!





## Benefits

### Fast, modular, and minimum installation time:

- No tools needed
- Easy mounting from the top, whatever the size of the conveyor
- 50% reduction in installation and adjustment time
- Different mounting solutions.

### Full conveyor width detection:

- No package color effect thanks to reliable detection
- Easy direction adjustment, every 15°
- Full length detection thanks to multiple sensors

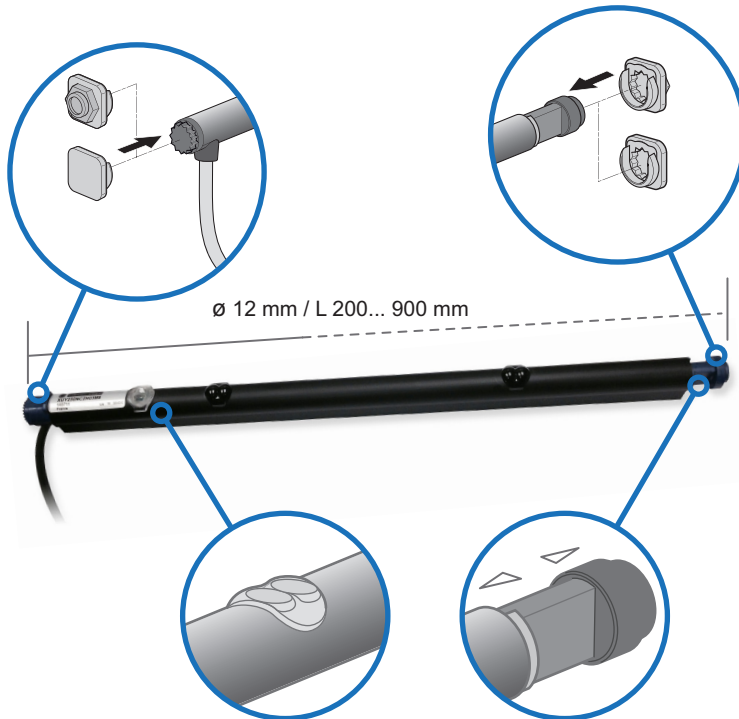
### Shock protection cuts maintenance costs:

- The sensor is embedded within the frame and fixed between rollers to reduce the risk of shock damage.

## Characteristics

### Roller sensor XUY

- From 1 to 6 sensors alongside the tube
- Detection mode: diffuse infrared
- Sensing distance: up to 100 mm
- Dust proof lens (shape and gain)
- Dimension: Ø 12 mm, from 200 to 900 mm
- Material case/lens: aluminium/PA
- Mounting solutions with spring effect:
  - Hexagonal 11.1 mm
  - Ø 8 mm
  - Adhesive part.
- Supply voltage: 24 V DC
- Connection: M12, 4 pins connector or cable
- Output: PNP/NPN, NO/NC by wiring
- Switching frequency: 500 Hz
- Operating temperature: -10°C to +55°C
- Degree of protection: IP50 (IP65 on request)
- New design with LED information even visible from behind



## References

Roller sensor OsiSense XUY	Hexagonal mounting, connection for 474mm conveyor Other lengths available from 200 to 900mm, on request	Cable Length 0.3 m with M12 connector, 4 pins <a href="#">XUY474NB4H03M12</a>
Accessories	Jumper M12 male/M12 female with 2 m cable	Elbowed <a href="#">XZCR1512041C2</a> Straight <a href="#">XZCR1511041C2</a>

**Telemecanique Sensors**  
1875 Founders Dr.  
Dayton, OH 45420-4017  
TEL: 888-778-2733

[www.tesensors.us](http://www.tesensors.us)

**Telemecanique Sensors**  
5985 McLaughlin Road  
Mississauga, Ontario L5R 1B8  
TEL: 800-565-6699

[www.tesensors.ca](http://www.tesensors.ca)

The information provided in this documentation contains general descriptions and/or technical characteristics of the performance of the products contained herein. This documentation is not intended as a substitute for and is not to be used for determining suitability or reliability of these products for specific user applications. It is the duty of any such user or integrator to perform the appropriate and complete risk analysis, evaluation and testing of the products with respect to the relevant specific application or use thereof. Neither Schneider Electric nor any of its affiliates or subsidiaries shall be responsible or liable for misuse of the information contained herein.

9006HO1501 R02/21