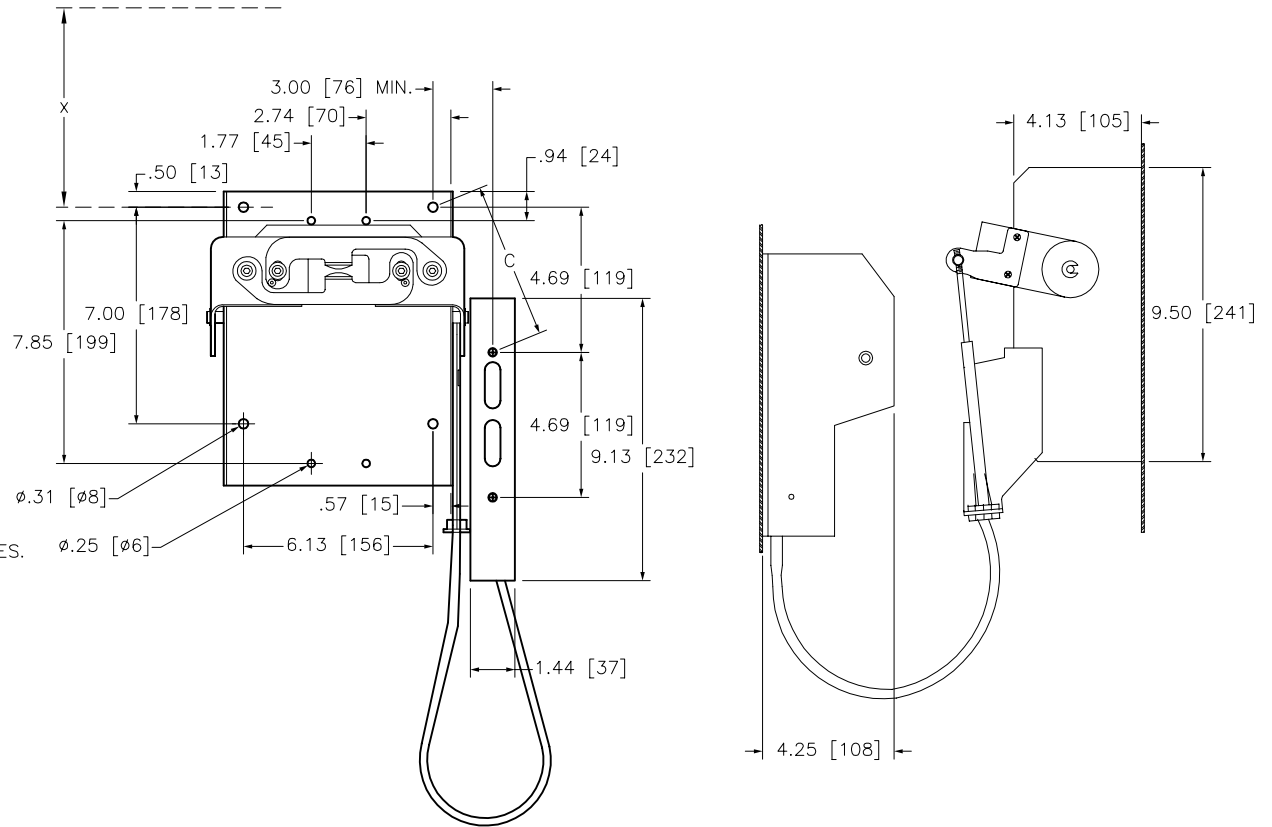


CABLE MECHANISMS FOR USE WITH CLASS 9422  
TYPE NSJ 3 POLE CIRCUIT BREAKER.

TYPE	CABLE LENGTH	MAXIMUM BOX DEPTH	MAXIMUM DISTANCE FROM TOP RIGHT MOUNTING HOLE TO UPPER MOUNTING HOLE FOR HANDLE OPERATOR (DIM C)	
			MINIMUM C	MAXIMUM C
CSJ30	36"	24"	3.75"	7"
CSJ50	60"	36"	3.75"	24"
CSJ10	120"	36"	3.75"	5 FEET

REFER TO NEC ARTICLE 430-10 FOR MINIMUM DIMENSION X FROM CIRCUIT BREAKER TOP MOUNTING HOLE TO WALL OR BARRIER TO ENSURE ADEQUATE WIRE BENDING SPACE.



NOTE: BEND RADIUS IN CABLE MUST NEVER BE LESS THAN 6 INCHES.  
ELECTRICAL CLEARANCES MUST BE MAINTAINED BETWEEN CABLE AND LIVE ELECTRICAL PARTS.

Catalog Number: 9422-CSJ30, CSJ50, CSJ10  
Ratings: -  
UL File/CCN: E62922/DIHS2  
CSA File/Class: -  
Meets Standards: -  
Weight: 8.5 lbs  
Wire Size: -  
Terminal torque: -  
Mounting Hwd: (8) #14-20 screws

"THE SQUARE D COMPANY HAS PROPRIETARY RIGHTS TO THE INFORMATION CONTAINED HEREON. THIS INFORMATION REMAINS THE PROPERTY OF SQUARE D COMPANY AND MAY BE USED ONLY IN CONFORMANCE WITH INSTRUCTIONS ISSUED BY SQUARE D COMPANY. USER SHOULD VERIFY DRAWINGS ARE TO THE LATEST/CURRENT REVISION PRIOR TO INCORPORATING IN A DESIGN FILE."

**DO NOT SCALE DRAWING**  
UNLESS OTHERWISE SPECIFIED DIMENSIONS ARE IN INCHES

THIRD ANGLE PROJECTION  
TOLERANCES  
UNLESS OTHERWISE SPECIFIED  
2 PLACE DECIMALS ± .01

3 POLE CIRCUIT BREAKER  
CABLE OPERATOR MECHANISM  
CLASS 9422 TYPE CSJ30, CSJ50, CSJ10

**SQUARE D COMPANY**

DWG# 9422\_CSJ\_OUTLINE\_001  
NO.