

CHART A

POWER DISTRIBUTION BLOCK	LUG WIRE RANGE *		WEIGHT LBS (KG)
	MAIN	BRANCH	
9080-LBA362101	<1> #14-2/0	<1> #14-2/0	.31 (.20)
9080-LBA362104	<1> #14-2/0	<4> #14-4	.47 (.24)

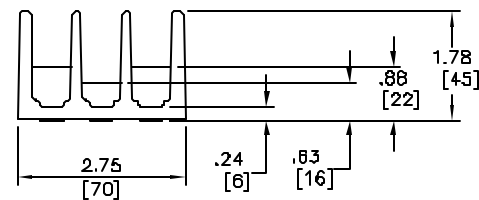
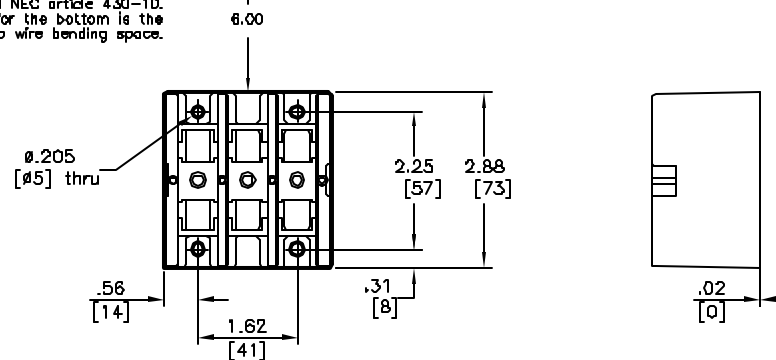
\* LUGS SUITABLE FOR USE WITH 75 C CONDUCTORS  
BASED ON NEC TABLE 310-16

CHART B

POWER DISTRIBUTION BLOCK	RECOMMENDED TIGHTENING TORQUE				
	WIRE SIZE	MAIN		BRANCH	
		TORQUE	WIRE SIZE	TORQUE	
9080-LBA362101	#6-2/0	120lb-in (13.5Nm)	#6-2/0	120lb-in (13.5Nm)	
	#8	40lb-in (4.5Nm)	#8	40lb-in (4.5Nm)	
	#14-#10	35lb-in (4.0Nm)	#14-#10	35lb-in (4.0Nm)	
9080-LBA362104	#6-2/0	120lb-in (13.5Nm)	#14-#4	35lb-in (4.0Nm)	
	#8	40lb-in (4.5Nm)			
	#14-#10	35lb-in (4.0Nm)			

Electrical Clearances/Wire Bending Space

Wire bending space is based upon the maximum wire size of the terminal, and NEC article 430-10.  
Wire bending space for the bottom is the same as the top wire bending space.



Catalog Number: 9080-LBA362101/9080-LBA362104  
 Ratings: 600VAC, 175 AMP  
 UL File/CCN: E60616/XCFR2  
 CSA File/Class: LR70361  
 Meets Standards: -  
 Weight: SEE CHART A  
 Wire Size: SEE CHART A  
 Terminal torque: SEE CHART B  
 Mounting Hwd: #10 screws

DUAL DIMENSIONS: INCHES  
MILLIMETERS

TERMINAL BLOCKS  
(POWER DISTRIBUTION BLOCKS)  
CLASS 8080 TYP LBA



DWG# E0B03503-01  
NO.