



## Main

Range of Product	Modicon STB distributed I/O solution
Product or Component Type	Standard digital output kit
Kit composition	STBXTS2110, 5-terminal spring clamp connector STBXTS1100, 5-terminal screw type connector STBXBA3000 base STBDRC3210 module
Discrete output number	2
Discrete output type	Relay
Discrete output function	2 NO/NC
Discrete output voltage	24 V 115...230 V
Discrete output voltage type	AC DC

## Complementary

Discrete output current	2000 mA
Discrete output logic	Positive or negative
Output voltage	20...250 V AC 5...30 V DC
Response Time	5.25 ms off-to-on 6.75 ms on-to-off
Switching capacity in VA	600 VA resistive
Mechanical durability	1000000 cycles
Electrical durability	100000 cycles resistive
Cold swapping	Yes
Hot swapping	Yes for standard NIMs
Fallback	State 0 basic NIMs User configurable standard NIMs
Protection type	Coil protection integrated fuse on PDM time lag 10 A Output surge protection GMOV
Insulation between channels	500 V for 1 minute
Insulation between channels and logic bus	1780 V for 1 minute
Insulation between logic bus and actuator bus	1500 V for 1 minute
Surge current	20 A 10 ms capacitive
Minimum load	50 mA
Reset	Manual reset COM fault
Product Compatibility	I/O base STBXBA2000 Power distribution module STBPDT3100/3105
[Us] rated supply voltage	24 V DC
Supply	Power distribution module
Current consumption	55 mA 5 V DC logic bus
Marking	CE
Overvoltage category	II
Status LED	1 LED (Green) module status (RDY) 1 LED per channel (Green) channel status (OUT1 to OUT2) 1 LED (Red) module error (ERR)
Height	0.72 in (18.4 mm)
Depth	2.76 in (70 mm)

The information provided in this documentation contains general descriptions and/or technical characteristics of the performance of the products contained herein. This documentation is not intended as a substitute for and is not to be used for determining suitability or reliability of these products for specific user applications. It is the duty of any such user or integrator to perform the appropriate and complete risk analysis, evaluation and testing of the products with respect to the relevant specific application or use thereof. Neither Schneider Electric Industries SAS nor any of its affiliates or subsidiaries shall be responsible or liable for misuse of the information contained herein.

Width	5.05 in (128.3 mm)
Net Weight	0.29 lb(US) (0.13 kg)

## Environment

Standards	EN/IEC 61131-2
Product Certifications	FM Class 1 Division 2 CSA UL
Pollution degree	2 IEC 60664-1
Operating altitude	<= 6561.68 ft (2000 m)
IP degree of protection	IP20 conforming to EN 61131-2 class 1
Ambient air temperature for operation	32...140 °F (0...60 °C) without derating)
Ambient air temperature for operation	32...140 °F without derating
Ambient air temperature for storage	-40...185 °F (-40...85 °C) without derating
Ambient air temperature for storage	-40...185 °F without derating
Relative humidity	95 % 140 °F (60 °C) without condensation
Vibration resistance	3 gn 58...150 Hz 35 x 7.5 mm symmetrical DIN rail 5 gn 58...150 Hz 35 x 15 mm symmetrical DIN rail +/-0.35 mm 10...58 Hz
Shock resistance	30 gn 11 ms IEC 88 reference 2-27

## Ordering and shipping details

Category	18215-ADVANTYS STB I/O
Discount Schedule	PC32
GTIN	3595863949162
Returnability	Yes
Country of origin	ID

## Packing Units

Unit Type of Package 1	PCE
Number of Units in Package 1	1
Package 1 Height	1.06 in (2.7 cm)
Package 1 Width	2.99 in (7.6 cm)
Package 1 Length	5.12 in (13 cm)
Package 1 Weight	5.29 oz (150 g)
Unit Type of Package 2	S02
Number of Units in Package 2	28
Package 2 Height	5.91 in (15 cm)
Package 2 Width	11.81 in (30 cm)
Package 2 Length	15.75 in (40 cm)
Package 2 Weight	9.92 lb(US) (4.5 kg)

## Offer Sustainability

Sustainable offer status	Green Premium product
California proposition 65	WARNING: This product can expose you to chemicals including: Lead and lead compounds, which is known to the State of California to cause cancer and birth defects or other reproductive harm. For more information go to <a href="http://www.P65Warnings.ca.gov">www.P65Warnings.ca.gov</a>
REACH Regulation	<a href="#">REACH Declaration</a>
EU RoHS Directive	Pro-active compliance (Product out of EU RoHS legal scope) <a href="#">EU RoHS Declaration</a>
Mercury free	Yes
China RoHS Regulation	<a href="#">China RoHS Declaration</a>
RoHS exemption information	<a href="#">Yes</a>
Environmental Disclosure	<a href="#">Product Environmental Profile</a>

---

Circularity Profile	<a href="#">End Of Life Information</a>
WEEE	The product must be disposed on European Union markets following specific waste collection and never end up in rubbish bins.

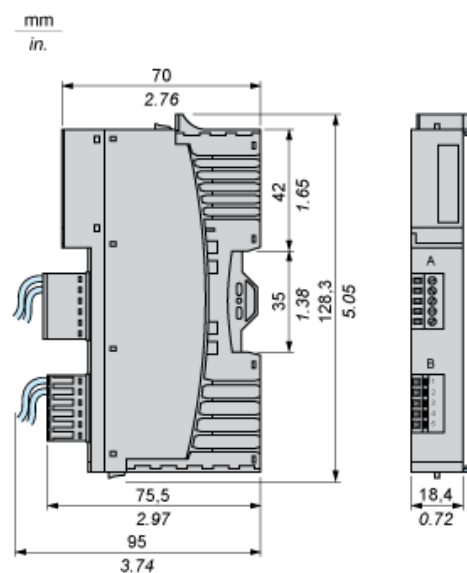
---

**Contractual warranty**

Warranty	18 months
----------	-----------

---

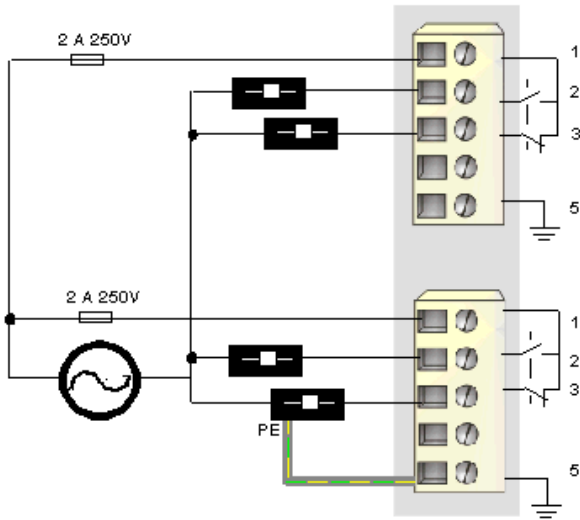
## Dimensions



Wiring Diagrams

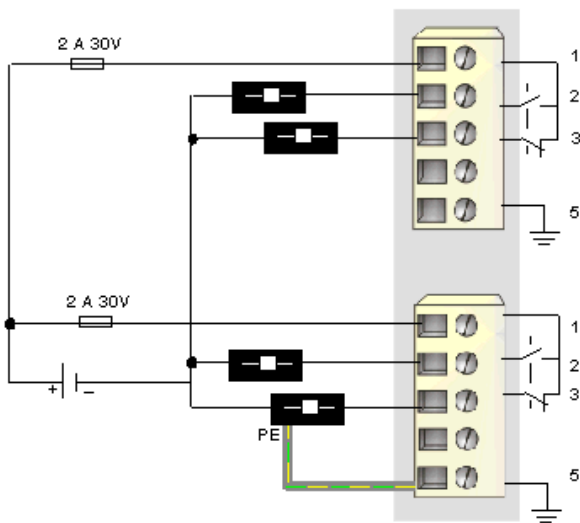
Examples

4 two-wire actuators, external AC power supply



Pin	Top Connector	Bottom Connector
1	relay common 1	relay common 2
2	N.O. connection for relay 1	N.O. connection for relay 2
3	N.C. connection for relay 1	N.C. connection for relay 2
4	no connection	no connection
5	PE	PE

4 two-wire actuators, external DC power supply



Pin	Top Connector	Bottom Connector
1	relay common 1	relay common 2
2	N.O. connection for relay 1	N.O. connection for relay 2
3	N.C. connection for relay 1	N.C. connection for relay 2
4	no connection	no connection

Pin	Top Connector	Bottom Connector
5	PE	PE