

## ZB5AL2C0

Harmony XB5, Push button head, plastic, projecting, black, Ø22, spring return, unmarked, grey bezel



### Main

|                               |                                      |
|-------------------------------|--------------------------------------|
| Range of Product              | Harmony XB5                          |
| Product or Component Type     | Head for non-illuminated push-button |
| Device short name             | ZB5                                  |
| Bezel material                | Plastic colour plated grey           |
| Mounting diameter             | 0.87 in (22 mm)                      |
| Head type                     | Standard                             |
| Sale per indivisible quantity | 1                                    |
| Shape of signaling unit head  | Round                                |
| Type of operator              | Spring return                        |
| Operator profile              | Black projecting, unmarked           |

### Complementary

|                             |  |
|-----------------------------|--|
| CAD overall width           | 1.14 in (29 mm)  |
| CAD overall height          | 1.14 in (29 mm)  |
| CAD overall depth           | 1.30 in (33 mm)  |
| Net Weight                  | 0.04 lb(US) (0.019 kg)   |
| Mechanical durability       | 10000000 cycles  |
| Station name                | XALD 1...5 cut-outs<br>XALK 2...5 cut-outs   |
| Electrical composition code | C1 9 single front mounting<br>C2 9 single and double front mounting<br>C11 3 single front mounting<br>C15 1 single front mounting<br>SF1 3 single front mounting<br>SR1 3 single rear mounting |

### Environment

|                                       |  |
|---------------------------------------|--|
| Protective treatment                  | TH   |
| Ambient Air Temperature for Storage   | -40...158 °F (-40...70 °C)   |
| Ambient Air Temperature for Operation | -40...158 °F (-40...70 °C)   |
| Overvoltage category                  | Class II IEC 60536   |
| IP degree of protection               | IP66 IEC 60529<br>IP67   |
| NEMA degree of protection             | NEMA 13<br>NEMA 4X   |
| Resistance to high pressure washer    | 1015.26 psi (7000000 Pa) 131 °F (55 °C) 0.1 m  |
| IK degree of protection               | IK03 IEC 50102   |
| Product Certifications                | DNV<br>UL Listed<br>CSA<br>LR0S (Lloyds register of shipping)<br>GL<br>BV  |
| Shock resistance                      | 30 gn 18 ms) half sine wave acceleration IEC 60068-2-27<br>50 gn 11 ms) half sine wave acceleration IEC 60068-2-27 |
| Vibration resistance                  | 5 gn 2...500 Hz)IEC 60068-2-6  |

## Ordering and shipping details

|                   |                                     |
|-------------------|-------------------------------------|
| Category          | 22467-PUSHBUTTONS,22MM(PLASTIC) NEW |
| Discount Schedule | CS2                                 |
| GTIN              | 3606489767983                       |
| Returnability     | No                                  |

## Packing Units

|                              |                  |
|------------------------------|------------------|
| Unit Type of Package 1       | PCE              |
| Number of Units in Package 1 | 1                |
| Package 1 Height             | 1.65 in (4.2 cm) |
| Package 1 Width              | 1.30 in (3.3 cm) |
| Package 1 Length             | 2.05 in (5.2 cm) |
| Package 1 Weight             | 0.63 oz (18.0 g) |

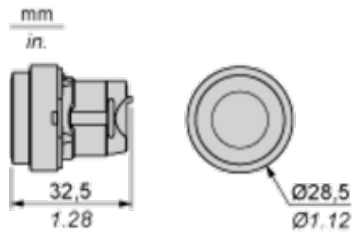
## Offer Sustainability

|                            |   |
|----------------------------|---|
| California proposition 65  | WARNING: This product can expose you to chemicals including: Di-isodecyl phthalate (DIDP), which is known to the State of California to cause birth defects or other reproductive harm. For more information go to <a href="http://www.P65Warnings.ca.gov">www.P65Warnings.ca.gov</a> |
| REACH Regulation           | <a href="#">REACH Declaration</a>   |
| REACH free of SVHC         | Yes   |
| EU RoHS Directive          | Pro-active compliance (Product out of EU RoHS legal scope) <a href="#">EU RoHS Declaration</a>  |
| Mercury free               | Yes   |
| China RoHS Regulation      | <a href="#">China RoHS Declaration</a>  |
| RoHS exemption information | <a href="#">Yes</a>   |

---

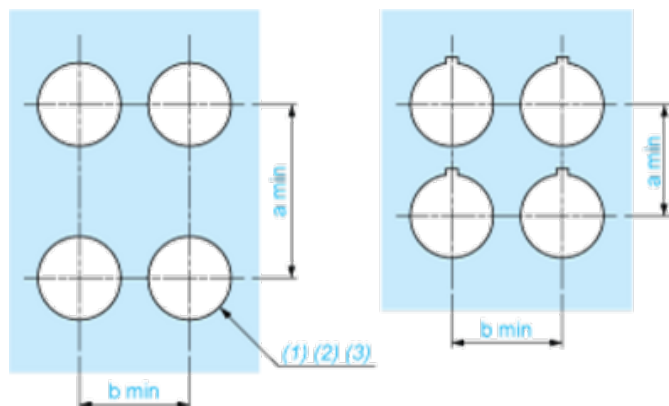
Dimensions

---



Panel Cut-out for Pushbuttons, Switches and Pilot Lights (Finished Holes, Ready for Installation)

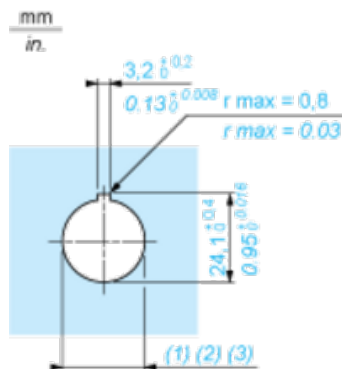
Connection by Screw Clamp Terminals or Plug-in Connectors or on Printed Circuit Board



- (1) Diameter on finished panel or support
- (2) For selector switches and Emergency stop buttons, use of an anti-rotation plate type ZB5AZ902 is recommended.
- (3)  $\varnothing 22.5$  mm recommended ( $\varnothing 22.3_0^{+0.4}$ ) /  $\varnothing 0.89$  in. recommended ( $\varnothing 0.88$  in.  $_0^{+0.016}$ )

| Connections                                   | a in mm | a in in. | b in mm | b in in. |
|---|---------|----------|---------|----------|
| By screw clamp terminals or plug-in connector | 40      | 1.57     | 30      | 1.18     |
| By Faston connectors                          | 45      | 1.77     | 32      | 1.26     |
| On printed circuit board                      | 30      | 1.18     | 30      | 1.18     |

Detail of Lug Recess



- (1) Diameter on finished panel or support
- (2) For selector switches and Emergency stop buttons, use of an anti-rotation plate type ZB5AZ902 is recommended.
- (3)  $\varnothing 22.5$  mm recommended ( $\varnothing 22.3_0^{+0.4}$ ) /  $\varnothing 0.89$  in. recommended ( $\varnothing 0.88$  in.  $_0^{+0.016}$ )

Pushbuttons, Switches and Pilot Lights for Printed Circuit Board Connection

Panel Cut-outs (Viewed from Installer's Side)



A: 30 mm min. / 1.18 in. min.

B: 40 mm min. / 1.57 in. min.

Printed Circuit Board Cut-outs (Viewed from Electrical Block Side)

Dimensions in mm



A: 30 mm min.

B: 40 mm min.

Dimensions in in.



#### (4) Printed circuit board

##### Mounting of Adapter (Socket) ZBZ01•

- 1 2 elongated holes for ZBZ006 screw access
- 2 1 hole  $\varnothing$  2.4 mm  $\pm$  0.05 / 0.09 in.  $\pm$  0.002 for centring adapter ZBZ01•
- 3 8  $\times$   $\varnothing$  1.2 mm / 0.05 in. holes
- 4 1 hole  $\varnothing$  2.9 mm  $\pm$  0.05 / 0.11 in.  $\pm$  0.002, for aligning the printed circuit board (with cut-out marked a)
- 5 1 elongated hole for aligning the printed circuit board (with cut-out marked b)
- 6 4 holes  $\varnothing$  2.4 mm / 0.09 in. for clipping in adapter ZBZ01•

Dimensions An + 18.1 relate to the  $\varnothing$  2.4 mm  $\pm$  0.05 / 0.09 in.  $\pm$  0.002 holes for centring adapter ZBZ01•.

---

Electrical Composition Corresponding to Code C1

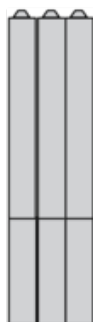
---



---

Electrical Composition Corresponding to Code C2

---



---

Electrical Composition Corresponding to Codes C9, C11, SF1 and SR1

---

---

Electrical Composition Corresponding to Code C15

---

1 N/O

1 N/C

1 N/O + N/C or 1 N/O + N/O or 1 N/C + N/C



## Legend

---

Single contact

Double contact

Light block

Possible location

