



### Main

Range of Product	Harmony Electromechanical Relays
Accessory / separate part category	Marking accessory
Product or Component Type	Legend
Sale per indivisible quantity	10

### Complementary

Product compatibility	Socket RXZ connector
Net Weight	0.00 lb(US) (0.001 kg)

### Ordering and shipping details

Category	21128-ZELIO ICE CUBE RELAY ACCESSORIES
Discount Schedule	CP2
GTIN	3389119404310
Returnability	No
Country of origin	CN

### Packing Units

Unit Type of Package 1	PCE
Number of Units in Package 1	1
Package 1 Height	0.08 in (0.200 cm)
Package 1 Width	0.59 in (1.500 cm)
Package 1 Length	0.98 in (2.500 cm)
Package 1 Weight	0.04 oz (1.000 g)
Unit Type of Package 2	BB1
Number of Units in Package 2	10
Package 2 Height	0.39 in (1.000 cm)
Package 2 Width	1.57 in (4.000 cm)
Package 2 Length	2.56 in (6.500 cm)
Package 2 Weight	0.35 oz (10.000 g)
Unit Type of Package 3	S01
Number of Units in Package 3	3000
Package 3 Height	5.91 in (15.000 cm)
Package 3 Width	5.91 in (15.000 cm)
Package 3 Length	15.75 in (40.000 cm)
Package 3 Weight	6.92 lb(US) (3.137 kg)

The information provided in this documentation contains general descriptions and/or technical characteristics of the performance of the products contained herein. This documentation is not intended as a substitute for and is not to be used for determining suitability or reliability of these products for specific user applications. It is the duty of any such user or integrator to perform the appropriate and complete risk analysis, evaluation and testing of the products with respect to the relevant specific application or use thereof. Neither Schneider Electric Industries SAS nor any of its affiliates or subsidiaries shall be responsible or liable for misuse of the information contained herein.

## Offer Sustainability

Sustainable offer status	Green Premium product
California proposition 65	WARNING: This product can expose you to chemicals including: Nickel compounds, which is known to the State of California to cause cancer, and Di-isodecyl phthalate (DIDP), which is known to the State of California to cause birth defects or other reproductive harm. For more information go to <a href="http://www.P65Warnings.ca.gov">www.P65Warnings.ca.gov</a>
REACH Regulation	<a href="#">REACH Declaration</a>
REACH free of SVHC	Yes
EU RoHS Directive	Pro-active compliance (Product out of EU RoHS legal scope) <a href="#">EU RoHS Declaration</a>
Toxic heavy metal free	Yes
Mercury free	Yes
China RoHS Regulation	<a href="#">China RoHS Declaration</a>
RoHS exemption information	<a href="#">Yes</a>
Environmental Disclosure	<a href="#">Product Environmental Profile</a>

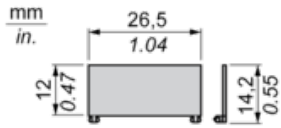
## Contractual warranty

Warranty	18 months
----------	-----------

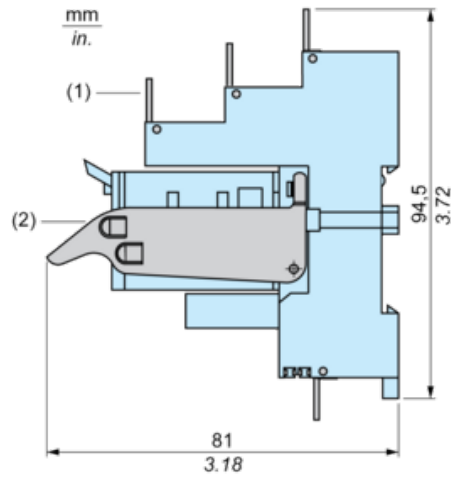
---

Dimensions

---



Mounting on All Sockets (1)



- (1) Clip-in legends for all sockets except RXZE2M114
- (2) Plastic clamp