

## ELECTRICAL INTERLOCK

### CLASS 9999, TYPE R35 OR R36

### For use with Class 9422, Type TG-1 or TG-2

### 400 Amp Disconnect Switch

**DANGER** — HAZARD OF ELECTRICAL SHOCK OR BURN. TURN OFF POWER SUPPLYING THIS EQUIPMENT BEFORE INSTALLING OR SERVICING.

1. Turn switch **OFF**.
2. Mount interlock to inside surface of left hand cross-bar support bracket as shown in fig. 1.

**NOTE:** In some switches (depending on date of manufacture) there will be an indentation in the support bracket and it will be necessary to install the spacer shown in fig. 2. between the interlock and the support bracket.

3. Turn switch **"ON"** and observe interlock to be sure snap switch has operated. Slowly pull switch operating handle toward **"OFF"**. The interlock snap switch should operate **before** the disconnect switch blades open.

4. If snap switch does not open before disconnect switch in Step 3, it may be necessary to install the adjustment plate shown in fig. 2 between the interlock operating mechanism and snap switch. Remove snap switch, install adjustment plate and re-mount snap switch.

5. Wire snap switch to control circuit as required.

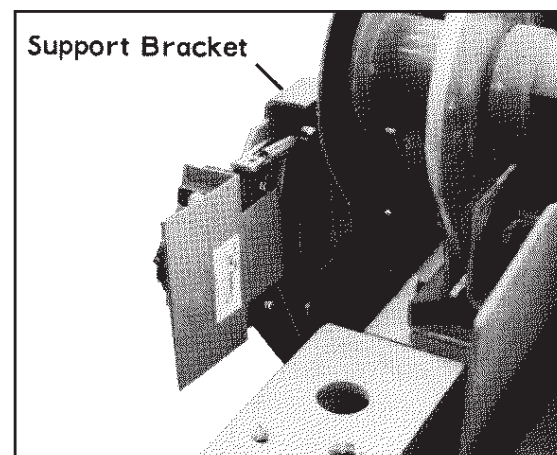


Fig. 1

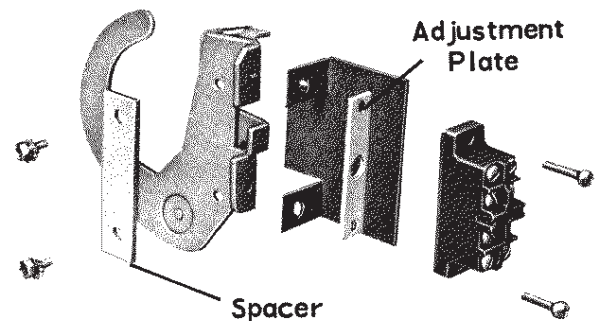


Fig. 2