

9001KA43

30mm push button, Type K, hermetically sealed logic reed contact block, 1NC, 0.025A inductive at 120VAC, pressure wire



Main

Range of Product	Harmony 9001K Harmony 9001SK
Product or Component Type	Contact block
Device short name	9001K

Complementary

Net Weight	0.10 lb(US) (0.045 kg)
Contacts type and composition	1 NC
Contact operation	Logic reed Hermetically sealed
Contacts usage	Hermetically sealed contacts
Positive opening	Without
Connections - terminals	Screw clamp terminals, 1 x 0.22...2 x 2.5 mm ² IEC 60947-1
Tightening torque	7.08 lbf.in (0.8 N.m) IEC 60947-1
Shape of screw head	Cross slotted
Short-circuit protection	10 A cartridge fuse IEC 60947-5-1
[I _{th}] conventional free air thermal current	10 A
[U _i] rated insulation voltage	250 V 3)IEC 60947-1
[U _{imp}] rated impulse withstand voltage	2.5 kV IEC 60947-1
[I _e] rated operational current	3 A 240 V, AC-15, A600-Q600 NEMA 0.55 A 125 V, DC-13, A600-Q600 NEMA
[I _{cm}] rated short-circuit making capacity	12 KA 600 V AC-15, 7200 VA 15 KA 480 V AC-15, 7200 VA 30 KA 240 V AC-15, 7200 VA 60 KA 120 V AC-15, 7200 VA 0.55 KA 125 V DC-13 0.1 KA 600 V DC-13 0.27 KA 250 V DC-13
Rated breaking capacity	3 KA 240 V AC-15, 720 VA 6 KA 120 V AC-15, 720 VA 1.2 KA 600 V AC-15, 720 VA 1.5 KA 480 V AC-15, 720 VA 0.1 KA 600 V DC-13 0.27 KA 250 V DC-13 0.55 KA 125 V DC-13
[U _s] rated supply voltage	120 V
Connections - Terminals	Screw-clamp terminals

The information provided in this documentation contains general descriptions and/or technical characteristics of the performance of the products contained herein. This documentation is not intended as a substitute for and is not to be used for determining suitability or reliability of these products for specific user applications. It is the duty of any such user or integrator to perform the appropriate and complete risk analysis, evaluation and testing of the products with respect to the relevant specific application or use thereof. Neither Schneider Electric Industries SAS nor any of its affiliates or subsidiaries shall be responsible or liable for misuse of the information contained herein.

Environment

Protective treatment	TC
Ambient Air Temperature for Storage	-40...158 °F (-40...70 °C)
Ambient Air Temperature for Operation	-13...158 °F (-25...70 °C)
Electrical shock protection class	Class II IEC 61140
Standards	JIS C 852 EN/IEC 60947-1 EN/IEC 60947-5-4 UL 508 CSA C22.2 No 14 EN/IEC 60947-5-1 JIS C 4520
Product Certifications	UL 508 NEMA
Vibration resistance	7 gn 2...500 Hz)IEC 60068-2-6
Shock resistance	50 gn IEC 60068-2-27

Ordering and shipping details

Category	21434-9001 KA CONTACT BLOCKS
Discount Schedule	CS1
GTIN	3389118042575
Returnability	Yes
Country of origin	US

Packing Units

Unit Type of Package 1	PCE
Number of Units in Package 1	1
Package 1 Height	1.20 in (3.048 cm)
Package 1 Width	1.90 in (4.826 cm)
Package 1 Length	1.70 in (4.318 cm)
Package 1 Weight	1.44 oz (40.823 g)

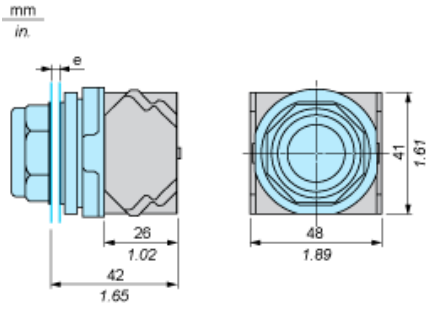
Offer Sustainability

Sustainable offer status	Green Premium product
California proposition 65	WARNING: This product can expose you to chemicals including: Nickel compounds, which is known to the State of California to cause cancer, and Di-isodecyl phthalate (DIDP), which is known to the State of California to cause birth defects or other reproductive harm. For more information go to www.P65Warnings.ca.gov
REACH Regulation	REACH Declaration
EU RoHS Directive	Pro-active compliance (Product out of EU RoHS legal scope) EU RoHS Declaration
Mercury free	Yes
China RoHS Regulation	China RoHS Declaration
RoHS exemption information	Yes
Environmental Disclosure	Product Environmental Profile
WEEE	The product must be disposed on European Union markets following specific waste collection and never end up in rubbish bins.

Contractual warranty

Warranty	18 months
----------	-----------

Dimensions



e panel thickness: 1 to 6 mm / 0.04 to 0.24 in.