

Air Conditioning Disconnects

Molded Case Switch

Catalog
3150CT0401R08/09

2009

Class 3150



QO200TR



QO200TRNM

CONTENTS

Description	Page
Product Information	3
Application	4
Dimensions	5



by Schneider Electric

Air Conditioning Disconnects Molded Case Switch



Product Information

Description

Air conditioning disconnects from Schneider Electric are Underwriters Laboratories® (UL®) Listed NEMA Type 3R rainproof. They are designed to meet all current National Electrical Code® (NEC®) requirements for a disconnecting means on residential and commercial air conditioning installations, as well as other single-phase applications, such as swimming pools and pump houses.



QO200TR

Configuration

- NEMA Type 3R rainproof
- 240 Vac two-wire with ground (no neutral)
- Molded case switch versions for applications not requiring overcurrent protection
- Available in metallic and non-metallic enclosures

General Construction

- Factory installed equipment grounding terminals with slot/square drive screws
- Cover padlock provision



QO200TRNM

Molded Case Switch Construction

- Metallic enclosure has removable cover housing (front, top, and side walls) which provides open area for mounting and convenient installation
- Easy access to wiring terminals for conductor installation
- Optional mounting bracket, when used with metallic enclosure, simplifies installation for stucco and lapped siding applications

Enclosures

- Metallic enclosures are galvanized steel enclosures with gray powder coat paint, rated NEMA Type 3R
- Non-metallic enclosures are all NEMA Type 3R

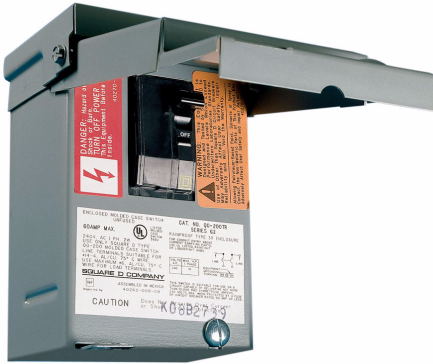


**Mounting Bracket
PKHB**

Accessories

Optional mounting bracket PKHB is specifically designed for mounting the QO200TR. This bracket is installed directly to the stud. After the siding goes up, mount the QO200TR air conditioning disconnect to the bracket with screws (not provided).

Air Conditioning Disconnects Molded Case Switch Product Information



QO200TR

Application

Air conditioning disconnects are designed for the following applications:

- Residential and light commercial applications
- 240 Vac maximum
- Suitable for use on systems with up to 10K RMS symmetrical amperes available fault current at 240 Vac
- 60 A maximum
- Horsepower rated


Standards

Air conditioning disconnects are manufactured in accordance with the following standards:

- UL Standard 1429, UL File Number E131815
- NEMA KS-1

Product Information

Air Conditioning Disconnect—Molded Case Switch Rainproof—UL Listed

Service	Ampere Rating	Catalog Number ■		Maximum hp
		Metallic Enclosure	Non-Metallic Enclosure	
2-Wire (Molded Case Switch Included)—240 Vac Maximum				
	60	QO200TR	QO200TRNM	10

- Does not contain overcurrent protection. Suitable for use on systems with up to 10,000 RMS symmetrical amperes available fault current at 240 Vac max. when protected by a fuse or circuit breaker rated 60 A or less with a 10,000 A short circuit current rating.

Housing Bracket Rainproof—UL Listed

Description	Catalog Number
Bracket used with QO200TR for stucco, aluminum and vinyl siding. Order quantity multiples of 10.	PKHB

Air Conditioning Disconnects Molded Case Switch Product Information

Figure 1:

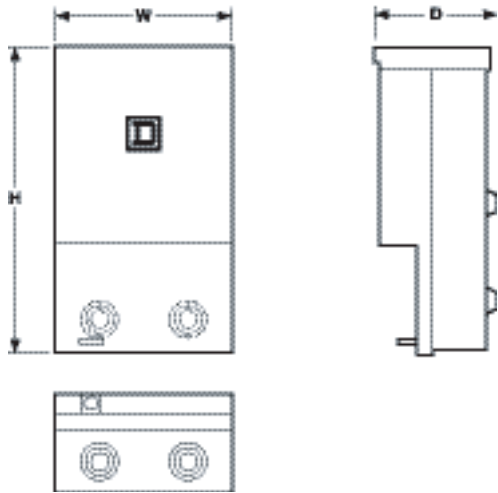


Table 1: Dimensions

Catalog Number	H		W		D		Figure
	IN	mm	IN	mm	IN	mm	
QO200TR	6.50	165	4.63	118	3.88	99	1
QO200TRNM	8.75	222	6.50	165	3.88	99	2
PKHB	5.06	129	4.00	102	0.94	24	3

Figure 2:

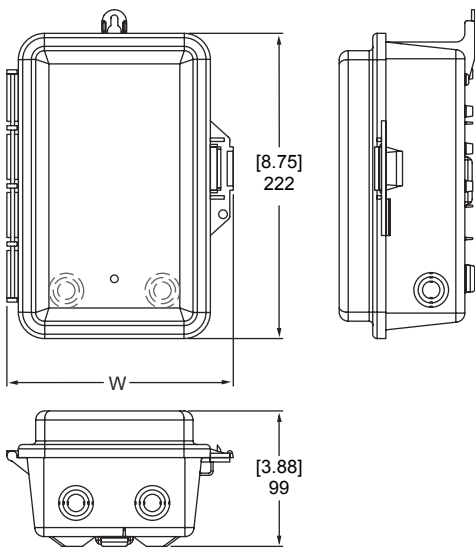
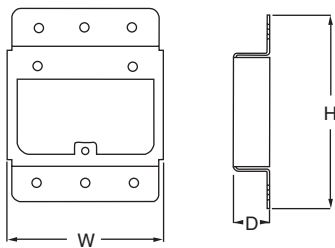


Figure 3:



Schneider Electric
1601 Mercer Road
Lexington, KY 40511 USA
1-888-Square D
1-888-778-2733
www.schneider-electric.us

Square D® is a trademark or registered trademark of Schneider Electric. Other trademarks used herein are the property of their respective owners.

3150CT0401R08/09 © 2004–2009 Schneider Electric All Rights Reserved
Replaces 3150CT0401 dated September 2004.

08/2009