



### Main

Product or Component Type	Radio transmitter
Number of inputs	1 sensor per transmitter

### Complementary

[Us] rated supply voltage	24 V DC, <15 mA -15...20 %
Contacts type and composition	NO
Discrete input type	NPN or PNP sensor
Supply voltage limits	20.4...29 V DC
Power consumption in W	0.29 W 24 V DC
Maximum supply current for sensors	100 mA 24 V without overload protection -15...20 %
Voltage state 1 guaranteed	20.4...< 24 V input
Current state 1 guaranteed	1.6 mA input)
Voltage state 0 guaranteed	> 0...7.2 V input
Current state 0 guaranteed	<= 1.5 mA input)
Response time	< 30 ms
Protection type	External fuse, fast blow, 400 mA
Communication port protocol	Zigbee IEEE 802.15.4
Zigbee profile	Green power
Input frequency	0.5 Hz
Maximum sensing distance	328.08 Ft (100 m) in free field 82.02 ft (25 m) in industrial environment
Local signalling	Sensor output 1 LED green or orange on/off LED blinking no data transmission
Electrical connection	Sensor 1 female connector M12, 5 Power supply 1 male connector M12, 4
Marking	CE CULus FCC IC
Height	2.56 in (65 mm)
Depth	0.91 in (23 mm)
Width	2.68 in (68 mm)
Net Weight	0.11 lb(US) (0.051 kg)

The information provided in this documentation contains general descriptions and/or technical characteristics of the performance of the products contained herein. This documentation is not intended as a substitute for and is not to be used for determining suitability or reliability of these products for specific user applications. It is the duty of any such user or integrator to perform the appropriate and complete risk analysis, evaluation and testing of the products with respect to the relevant specific application or use thereof. Neither Schneider Electric Industries SAS nor any of its affiliates or subsidiaries shall be responsible or liable for misuse of the information contained herein.

## Environment

Product Certifications	CE CULus FCC IC
Electromagnetic compatibility	Conducted and radiated emissions class B CISPR 22
Ambient Air Temperature for Operation	-13...131 °F (-25...55 °C)
Ambient Air Temperature for Storage	-40...158 °F (-40...70 °C)
Relative humidity	90 %, without condensation
IP degree of protection	IP67
Vibration resistance	+/- 7.5 mm 5...14 Hz)IEC 60068-2-6 2 gn 8...150 Hz)IEC 60068-2-6
Shock resistance	10 gn 16 ms) 6000 shocks IEC 60068-2-27

## Ordering and shipping details

Category	22412-LIMIT SWITCHES,IEC,XCKW WIRELESS
Discount Schedule	T
GTIN	3389119623957
Returnability	Yes

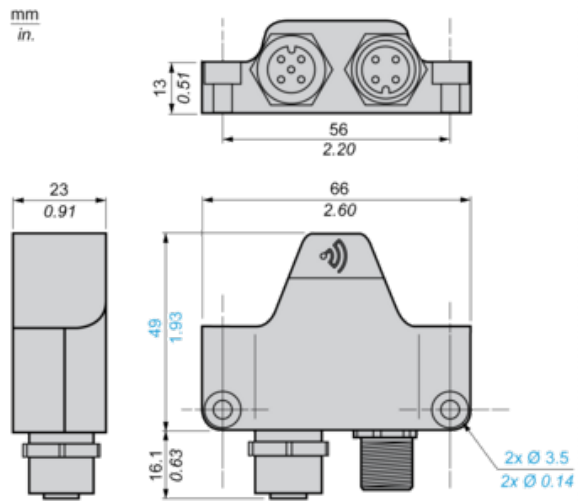
## Packing Units

Unit Type of Package 1	PCE
Number of Units in Package 1	1
Package 1 Height	1.65 in (4.2 cm)
Package 1 Width	2.56 in (6.5 cm)
Package 1 Length	3.74 in (9.5 cm)
Package 1 Weight	2.82 oz (80.0 g)
Unit Type of Package 2	S01
Number of Units in Package 2	22
Package 2 Height	5.91 in (15.0 cm)
Package 2 Width	5.91 in (15.0 cm)
Package 2 Length	15.75 in (40.0 cm)
Package 2 Weight	4.38 lb(US) (1.985 kg)

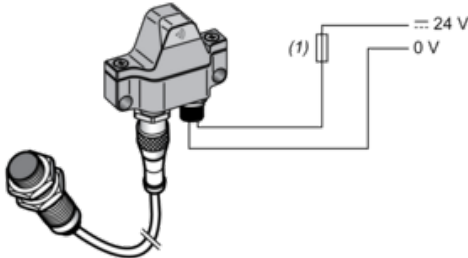
## Offer Sustainability

California proposition 65	WARNING: This product can expose you to chemicals including: Diisononyl phthalate (DINP), which is known to the State of California to cause cancer, and Di-isodecyl phthalate (DIDP), which is known to the State of California to cause birth defects or other reproductive harm. For more information go to <a href="http://www.P65Warnings.ca.gov">www.P65Warnings.ca.gov</a>
REACH Regulation	<a href="#">REACH Declaration</a>
EU RoHS Directive	Pro-active compliance (Product out of EU RoHS legal scope) <a href="#">EU RoHS Declaration</a>
Mercury free	Yes
RoHS exemption information	<a href="#">Yes</a>

Transmitter Dimensions

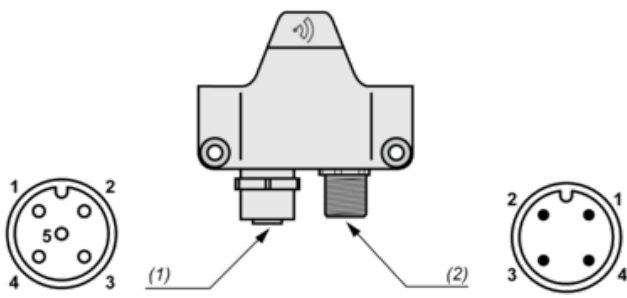


Transmitter Wiring Diagram



(1) 400 mA fast-blow fuse

Transmitter Wiring Diagram



(1) Socket Sensor Input

	<p>Pin 1 : 24 Vdc (output to sensor)                  Pin 2 : Not used                  Pin 3 : 0 Vdc                  Pin 4 : No NPN or PNP or contact input from the sensor                  Pin 5 : Not used</p>
--	---

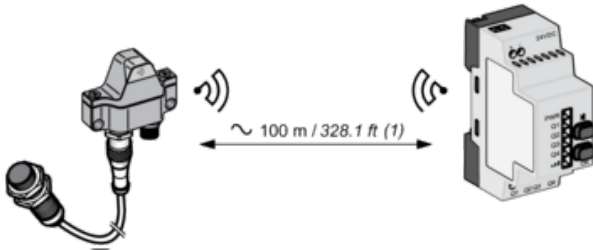
(2) Socket Power Supply (male)

	<p>Pin 1 : 24 Vdc                  Pin 2 : Not used                  Pin 3 : 0 Vdc                  Pin 4 : Not used</p>
--	--

---

Unobstructed Mounting

---

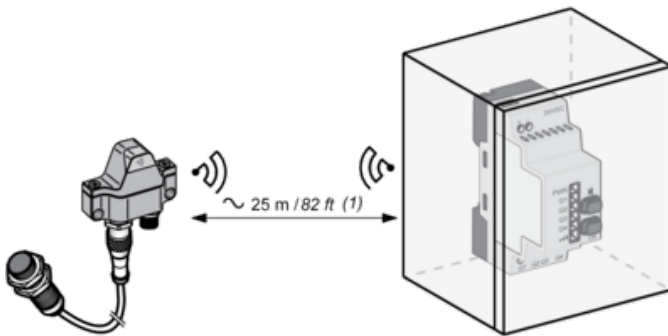


(1) Typical values that may be modified by the application environment.

---

Mounting in a Metal Cabinet

---



(1) Typical values that may be modified by the application environment.