

# XACS414

Contact block, Harmony XAC, single contact, spring return, front mounting, 40mm horizontal/30mm Vertical fixing centres, 2NC



## Main

|                               |                              |
|-------------------------------|------------------------------|
| Range of Product              | Harmony XAC                  |
| Product or Component Type     | Contact block                |
| Component name                | XACS                         |
| Electrical circuit type       | Control circuit              |
| Contact block type            | Single                       |
| Type of operator              | Spring return                |
| Product Compatibility         | ZA2B... head<br>XACA         |
| Mechanical interlocking       | Without mechanical interlock |
| Contacts type and composition | 2 NC                         |
| Mounting of block             | Front mounting               |
| Contact operation             | Slow-break                   |

## Complementary

|  |  |
|--|--|
| Connections - terminals                                  | Screw clamp terminals, 1 x 2.5 mm <sup>2</sup> with or without cable end<br>Screw clamp terminals, 2 x 1.5 mm <sup>2</sup> with or without cable end   |
| Horizontal fixing centres                                | 1.57 in (40 mm)  |
| Vertical fixing centres                                  | 1.18 in (30 mm)  |
| Mechanical durability                                    | 1000000 cycles   |
| Contact code designation                                 | A300 AC-15, U <sub>e</sub> = 240 V, I <sub>e</sub> = 3 A IEC 60947-5-1 appendix A<br>Q300 DC-13, U <sub>e</sub> = 250 V, I <sub>e</sub> = 0.27 A IEC 60947-5-1 appendix A  |
| [I <sub>th</sub> ] conventional enclosed thermal current | 10 A   |
| [U <sub>i</sub> ] rated insulation voltage               | 500 V 3)IEC 60947-1  |
| [U <sub>imp</sub> ] rated impulse withstand voltage      | 6 kV IEC 60947-1   |
| Maximum resistance across terminals                      | 25 MOhm  |
| Short-circuit protection                                 | 10 A fuse protection cartridge gG  |
| Rated operational power in W                             | 42 W DC-13 1000000 cycles 60 cyc/mn 120 V 0.5 inductive IEC 60947-5-1 appendix C<br>45 W DC-13 1000000 cycles 60 cyc/mn 48 V 0.5 inductive IEC 60947-5-1 appendix C<br>60 W DC-13 1000000 cycles 60 cyc/mn 24 V 0.5 inductive IEC 60947-5-1 appendix C                             |
| Rated operational power in VA                            | 140 VA AC-15 1000000 cycles 60 cyc/mn 24 V 50/60 Hz 0.5 inductive<br>385 VA AC-15 1000000 cycles 60 cyc/mn 48 V 50/60 Hz 0.5 inductive<br>455 VA AC-15 1000000 cycles 60 cyc/mn 230 V 50/60 Hz 0.5 inductive<br>525 VA AC-15 1000000 cycles 60 cyc/mn 127 V 50/60 Hz 0.5 inductive |
| Terminals description ISO n°1                            | (21-22)NC<br>(11-12)NC   |
| Terminal identifier                                      | (13-14)NO<br>(11-12)NC   |
| Net Weight   | 0.15 lb(US) (0.07 kg)  |

The information provided in this documentation contains general descriptions and/or technical characteristics of the performance of the products contained herein. This documentation is not intended as a substitute for and is not to be used for determining suitability or reliability of these products for specific user applications. It is the duty of any such user or integrator to perform the appropriate and complete risk analysis, evaluation and testing of the products with respect to the relevant specific application or use thereof. Neither Schneider Electric Industries SAS nor any of its affiliates or subsidiaries shall be responsible or liable for misuse of the information contained herein.

## Environment

|                                       |  |
|---------------------------------------|--|
| Standards                             | CSA C22.2 No 14<br>IEC 60947-5-1<br>EN 60947-5-1 |
| Ambient Air Temperature for Operation | -13...158 °F (-25...70 °C)                       |
| Ambient Air Temperature for Storage   | -40...158 °F (-40...70 °C)                       |
| Vibration resistance                  | 15 gn 10...500 Hz)IEC 60068-2-6                  |
| Shock resistance                      | 100 gn IEC 60068-2-27                            |

## Ordering and shipping details

|                   |                            |
|-------------------|----------------------------|
| Category          | 22473-PUSHBUTTON, PENDANTS |
| Discount Schedule | CS2                        |
| GTIN              | 00785901447290             |
| Returnability     | No                         |
| Country of origin | CZ                         |

## Packing Units

|                              |                        |
|------------------------------|------------------------|
| Unit Type of Package 1       | PCE                    |
| Number of Units in Package 1 | 1                      |
| Package 1 Height             | 1.42 in (3.6 cm)       |
| Package 1 Width              | 3.23 in (8.2 cm)       |
| Package 1 Length             | 3.78 in (9.6 cm)       |
| Package 1 Weight             | 2.57 oz (73.0 g)       |
| Unit Type of Package 2       | S01                    |
| Number of Units in Package 2 | 40                     |
| Package 2 Height             | 5.91 in (15.0 cm)      |
| Package 2 Width              | 5.91 in (15.0 cm)      |
| Package 2 Length             | 15.75 in (40.0 cm)     |
| Package 2 Weight             | 6.85 lb(US) (3.107 kg) |

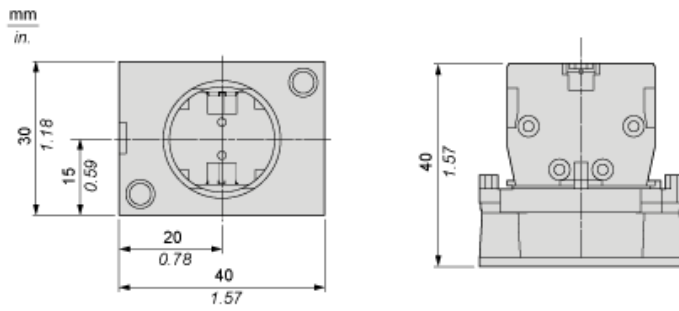
## Offer Sustainability

|                            |  |
|----------------------------|--|
| California proposition 65  | WARNING: This product can expose you to chemicals including: Nickel compounds, which is known to the State of California to cause cancer, and Di-isodecyl phthalate (DIDP), which is known to the State of California to cause birth defects or other reproductive harm. For more information go to <a href="http://www.P65Warnings.ca.gov">www.P65Warnings.ca.gov</a> |
| REACH Regulation           | <a href="#">REACH Declaration</a>  |
| REACH free of SVHC         | Yes  |
| EU RoHS Directive          | Pro-active compliance (Product out of EU RoHS legal scope) <a href="#">EU RoHS Declaration</a>   |
| Toxic heavy metal free     | Yes  |
| Mercury free               | Yes  |
| China RoHS Regulation      | <a href="#">China RoHS Declaration</a>   |
| RoHS exemption information | <a href="#">Yes</a>  |
| WEEE                       | The product must be disposed on European Union markets following specific waste collection and never end up in rubbish bins.   |

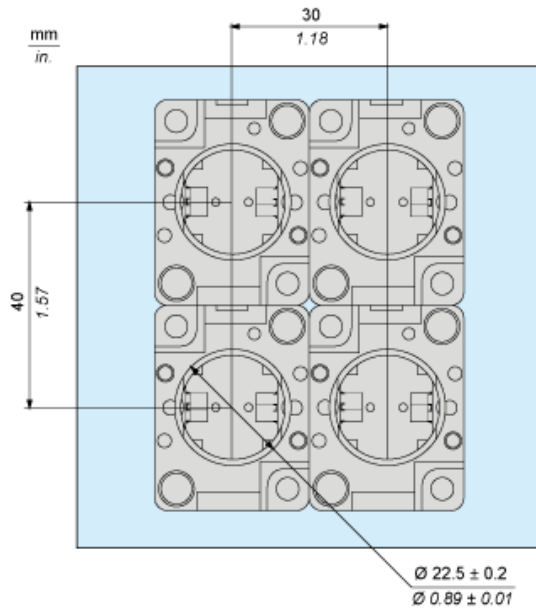
## Contractual warranty

|          |           |
|----------|-----------|
| Warranty | 18 months |
|----------|-----------|

## Dimensions



## Mounting



Rated Operational Power

AC Supply 50/60 Hz

Operating rate: 3600 operating cycles/hour. Load factor: 0.5.

Power broken in VA for 1 million operating cycles, AC-15 utilization category

| Voltage           | V | 24  | 48  | 127 | 230 |
|-------------------|---|-----|-----|-----|-----|
| Inductive circuit | W | 140 | 385 | 525 | 455 |

DC Supply

Operating rate: 3600 operating cycles/hour. Load factor: 0.5.

Power broken in W for 1 million operating cycles, DC-13 utilization category

| Voltage           | V | 24 | 48 | 120 |
|-------------------|---|----|----|-----|
| Inductive circuit | W | 60 | 45 | 42  |