

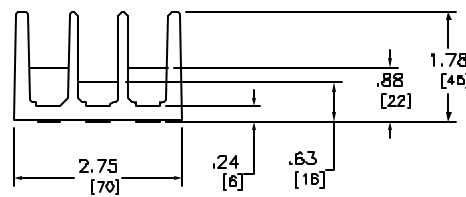
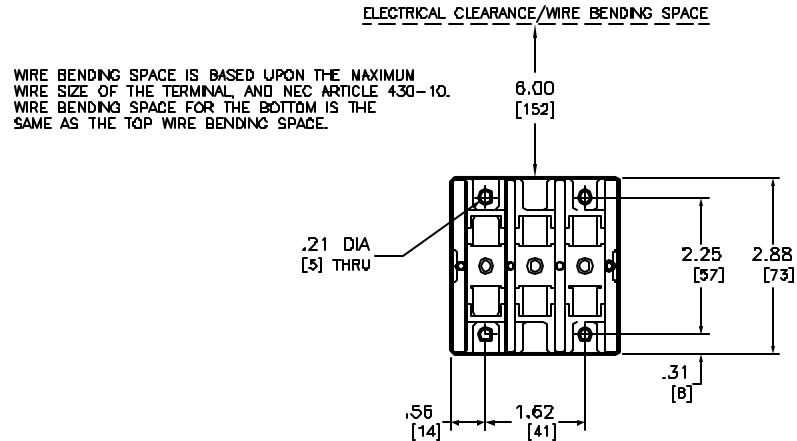
CHART A

POWER DISTRIBUTION BLOCK	LUG WIRE RANGE *		WEIGHT LBS (KG)
	MAIN	BRANCH	
9080-LBA362101	(1) #14-2/0	(1) #14-2/0	.31 (.20)
9080-LBA362104	(1) #14-2/0	(4) #14-4	.47 (.24)

* LUGS SUITABLE FOR USE WITH 75 C CONDUCTORS
BASED ON NEC TABLE 310-16

CHART B

POWER DISTRIBUTION BLOCK	RECOMMENDED TIGHTENING TORQUE					
	WIRE SIZE	MAIN		BRANCH		
		TORQUE lb-in	Nm	WIRE SIZE	TORQUE lb-in	Nm
9080-LBA362101	#6-2/0	120	13.5	#6-2/0	120	13.5
	#8	40	4.5	#8	40	4.5
	#14-#10	35	4.0	#14-#10	35	4.0
9080-LBA362104	#6-2/0	120	13.5	#14-#4	35	4.0
	#8	40	4.5			
	#14-#10	35	4.0			



Catalog Number: 9080-LBA362101/9080-LBA362104
 Ratings: 600VAC, 175 AMP
 UL File/CAN: E60616/XCFR2
 CSA File/Class: LR70361
 Meets Standards: -
 Weight: SEE CHART A
 Wire Sizes: SEE CHART A
 Terminal torque: SEE CHART B
 Mounting Hwd.: #10 SCREWS

DUAL DIMENSIONS: INCHES
MILLIMETERS

TERMINAL BLOCKS
(POWER DISTRIBUTION BLOCKS)
CLASS 9080 TYP LBA



DWG# E0803502-01
NO.