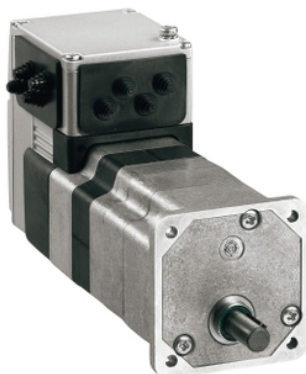


ILE2K661PC1A8

brushless DC motor, Lexium ILA ILE ILS,
24..48V- EtherNet/IP interface, L = 174mm-
115:1



Main

| | |
|---------------------------|--|
| Range of Product | Lexium integrated drive |
| Product or Component Type | Motion integrated drive |
| Device short name | ILE |
| Motor Type | Brushless DC motor |
| Number of motor poles | 6 |
| Phase | Single phase |
| [Us] rated supply voltage | 48 V 24 V |
| Network type | DC |
| Communication interface | Ethernet/IP, Integrated |
| Length | 9.02 in (229 mm) |
| Winding type | Medium speed of rotation and medium torque |
| Electrical Connection | Industrial connector |
| Holding brake | Without |
| Gear box type | Worm gear, 3 stages |
| Reduction ratio | 115:1 (3675:32) |
| Nominal speed | 35 rpm 24 V 35 rpm 48 V |
| Nominal torque | 93.82 Lbf.in (10.6 N.m) 24 V 93.82 lbf.in (10.6 N.m) 48 V |

Complementary

| | |
|----------------------------|---|
| Transmission Rate | 125, 250, 500 kbauds |
| Mounting Support | Flange |
| Motor flange size | 2.60 in (66 mm) |
| Number of motor stacks | 1 |
| Centring collar diameter | 1.42 in (36 mm) |
| Number of mounting holes | 2 |
| Mounting holes diameter | 0.17 in (4.4 mm) |
| Feedback type | BLDC encoder |
| Shaft end | Hole |
| Second shaft | Without second shaft end |
| Supply voltage limits | 18...55.2 V |
| Current consumption | 7000 mA peak 5500 mA maximum continuous |
| Associated fuse rating | 16 A |
| Commissioning interface | RS485 Modbus TCP 9.6, 19.2 and 38.4 kbauds) |
| Input/output type | 4 signals (each be used as input or output) |
| Voltage state 0 guaranteed | -3...4.5 V |
| Voltage state 1 guaranteed | 15...30 V |
| Discrete input current | 10 MA at 24 V on/STO_A safety input 3 MA at 24 V on/STO_B safety input 2 mA at 24 V 24 V signal interface |
| Discrete output voltage | 23...25 V |
| Maximum switching current | 100 MA per output 200 mA total |

| | |
|---------------------------|--|
| Protection Type | Overload of output voltage Safe torque off Short circuit of the output voltage |
| Maximum supply current | 0.1 A power stage disabled) 6.8 A 24 V 2.9 A 48 V |
| Nominal output power | 37 W 24 V 39 W 48 V |
| Peak stall torque | 218.79 Lbf.in (24.72 N.m) 24 V 218.79 lbf.in (24.72 N.m) 48 V |
| Continuous stall torque | 123.91 lbf.in (14 N.m) |
| Detent torque | 147.81 lbf.in (16.7 N.m) |
| Speed feedback resolution | 12 points/turn motor 0.26° gearbox output |
| Accuracy error | +/- 1 point |
| Rotor inertia | 1980 kg.cm ² |
| Maximum mechanical speed | 44 rpm |
| Maximum radial force Fr | 200 N |
| Maximum axial force Fa | 80 N |
| Service life in hours | 9000 h bearing |
| Marking | CE |
| Type of cooling | Natural convection |
| Net Weight | 5.07 lb(US) (2.3 kg) |

Environment

| | |
|---|---|
| Standards | EN/IEC 50178 EN 61800-3:2001, second environment IEC 60072-1 EN 61800-3 : 2001-02 EN 50347 EN/IEC 61800-3 IEC 61800-3, Ed 2 |
| Product Certifications | TÜV UL cUL |
| Ambient air temperature for operation | 104...131 °F (40...55 °C) with power derating of 2 % per °C) 32...104 °F (0...40 °C) without derating) |
| Permissible ambient air temperature around the device | 221 °F (105 °C) power amplifier 230 °F (110 °C) motor |
| Ambient Air Temperature for Storage | -13...158 °F (-25...70 °C) |
| Operating altitude | <= 3280.84 ft (1000 m) without derating |
| Relative humidity | 15...85 % without condensation |
| Vibration resistance | 20 m/s ² 10...500 Hz) 10 cycles EN/IEC 60068-2-6 |
| Shock resistance | 150 m/s ² 1000 shocks EN/IEC 60068-2-29 |
| IP degree of protection | Shaft bushing IP41 EN/IEC 60034-5 Total except shaft bushing IP54 EN/IEC 60034-5 |

Ordering and shipping details

| | |
|-------------------|-----------------------------------|
| Category | 18288-LEXIUM INTEGRATED DRIVES II |
| Discount Schedule | PC56 |
| GTIN | 3606485204840 |
| Returnability | No |
| Country of origin | DE |

Packing Units

| | |
|------------------------------|------------------------|
| Unit Type of Package 1 | PCE |
| Number of Units in Package 1 | 1 |
| Package 1 Height | 4.33 in (11.0 cm) |
| Package 1 Width | 7.48 in (19.0 cm) |
| Package 1 Length | 15.55 in (39.5 cm) |
| Package 1 Weight | 5.83 lb(US) (2.646 kg) |

Offer Sustainability

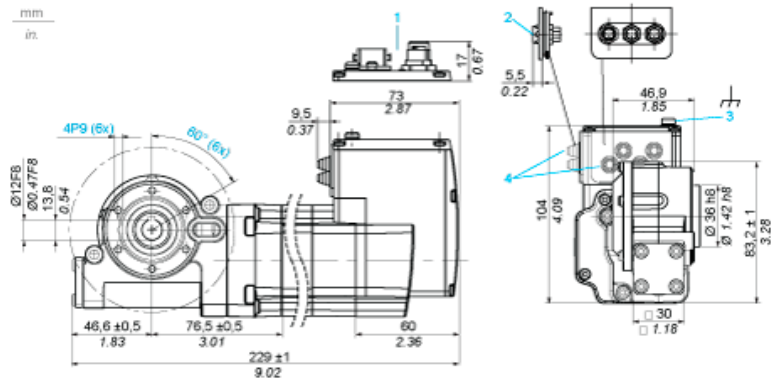
| | |
|----------------------------|---|
| Sustainable offer status | Green Premium product |
| California proposition 65 | WARNING: This product can expose you to chemicals including: Lead and lead compounds, which is known to the State of California to cause cancer and birth defects or other reproductive harm. For more information go to www.P65Warnings.ca.gov |
| REACH Regulation | REACH Declaration |
| EU RoHS Directive | Pro-active compliance (Product out of EU RoHS legal scope) EU RoHS Declaration |
| Mercury free | Yes |
| China RoHS Regulation | China RoHS Declaration |
| RoHS exemption information | Yes |
| Environmental Disclosure | Product Environmental Profile |
| Circularity Profile | End Of Life Information |
| WEEE | The product must be disposed on European Union markets following specific waste collection and never end up in rubbish bins. |
| PVC free | Yes |

Contractual warranty

| | |
|----------|-----------|
| Warranty | 18 months |
|----------|-----------|

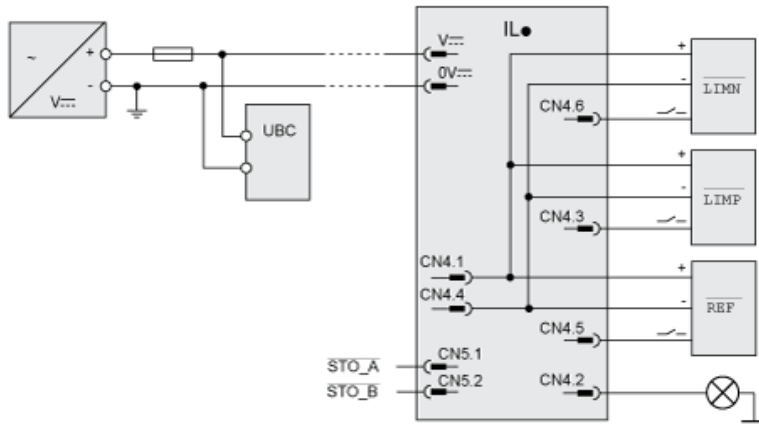
Integrated Drive with Worm Gear

Dimensions

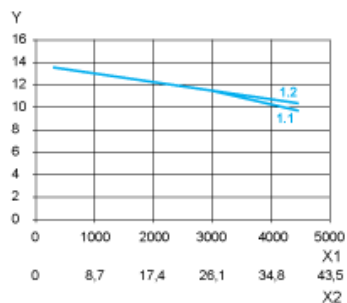


- 1 Option: industrial connectors
- 2 Accessories: I/O signal insert with industrial connectors
- 3 Earth (ground) terminal
- 4 Accessories: cable entries $\varnothing = 3 \dots 9 \text{ mm} / 0.12 \dots 0.35 \text{ in.}$

Connection Example with 4 I/O Signals



Torque Characteristics



- X1 Speed of rotation of motor in rpm
- X2 Speed of rotation of gearing in rpm
- Y Torque in Nm
- 1.1 Max. torque at 24 V
- 1.2 Max. torque at 48 V