

Main

Accessory / separate part designation	5-wire connector adaptor
Accessory / separate part category	Cabling accessories
Accessory / Separate Part Type	Connector adaptor
Cable composition	4 x 0.34 mm ² + 1 x 0.5 mm ²
Thread type	Pg 13.5
Line Rated Current	4 A

Complementary

Cable length	3.94 in (100 mm)
Total number of wires	5
Electrical connection	1 male connector M12 5 straight
Cable connector fixing	Screw-on
Body Material	Metal
Insulation resistance	> 1000000000 Ohm
Maximum resistance across terminals	5000 mOhm
[Ue] rated operational voltage	30 V AC 36 V DC
Net Weight	0.06 lb(US) (0.025 kg)

Environment

IP Degree of Protection	IP67
Ambient Air Temperature for Operation	-13...176 °F (-25...80 °C)

Ordering and shipping details

Category	22483-MACHINE CABLES
Discount Schedule	DS3
GTIN	3389110835519
Returnability	No
Country of origin	CZ

Packing Units

Unit Type of Package 1	PCE
Number of Units in Package 1	1
Package 1 Height	1.14 in (2.9 cm)
Package 1 Width	1.97 in (5 cm)
Package 1 Length	5.67 in (14.4 cm)
Package 1 Weight	0.92 oz (26 g)
Unit Type of Package 2	S02
Number of Units in Package 2	100
Package 2 Height	5.91 in (15 cm)
Package 2 Width	11.81 in (30 cm)

Package 2 Length	15.75 in (40 cm)
Package 2 Weight	6.62 lb(US) (3.003 kg)

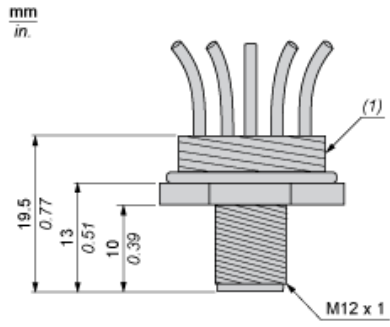
Offer Sustainability

California proposition 65	WARNING: This product can expose you to chemicals including: Diisononyl phthalate (DINP), which is known to the State of California to cause cancer, and Di-isodecyl phthalate (DIDP), which is known to the State of California to cause birth defects or other reproductive harm. For more information go to www.P65Warnings.ca.gov
REACH Regulation	REACH Declaration
EU RoHS Directive	Pro-active compliance (Product out of EU RoHS legal scope) EU RoHS Declaration
Mercury free	Yes
RoHS exemption information	Yes

Contractual warranty

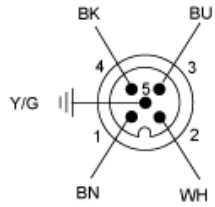
Warranty	18 months
----------	-----------

Dimensions



(1) Pg 13.5 cable gland

Connections and Schemes



BN : Brown
BK : Black
BU : Blue
Y/G : Yellow / Green
WH : White