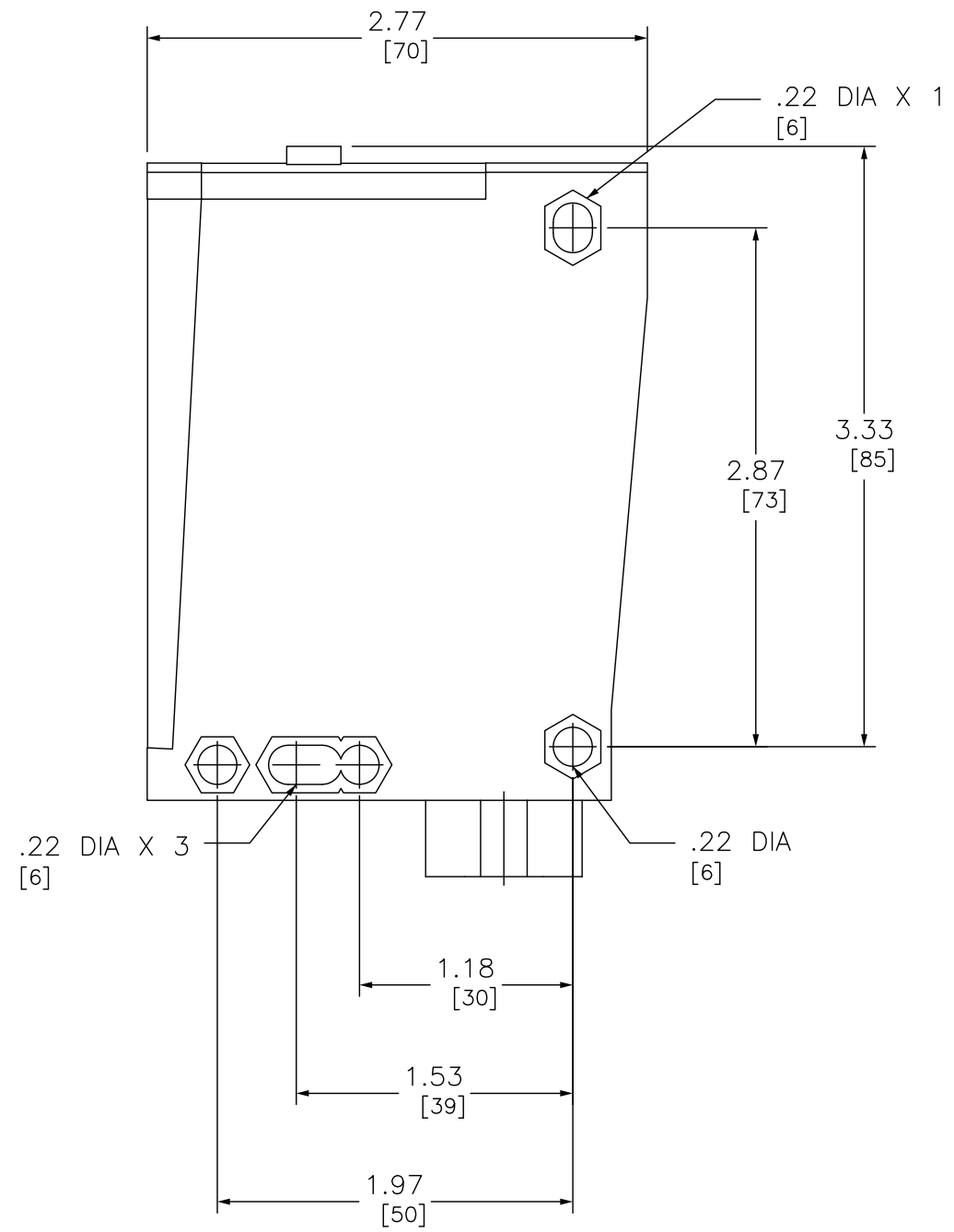


FRONT



RIGHT

DUAL DIMENSIONS: INCHES
MILLIMETERS

PHOTOELECTRIC SENSOR COMPACT XUX

SQUARE D[™]
by Schneider Electric

DWG# XUX0AKSAT16
NO.