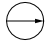
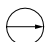
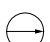


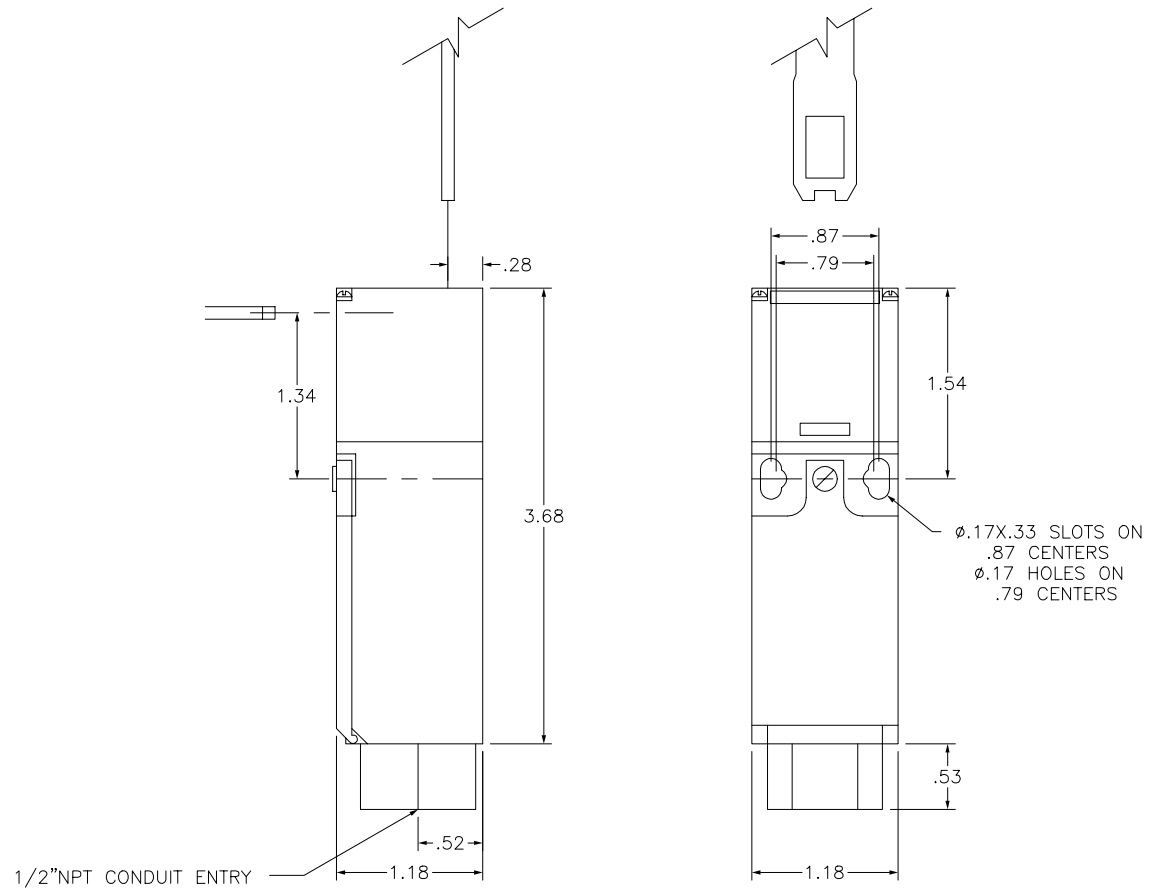
Plastic, turret head, type XCSPA, non locking, 1/2" NPT conduit

Type of switch	Without locking of actuating key
N.C.+N.O. break before make, slow break ★	XCSPA593 
N.C.+N.O. break before make, slow break †	XCSPA693 
N.C.+N.O. slow break †	XCSPA793 
Weight (oz.)	3.4 (0.095 kg)

■90° increments throughout 360°

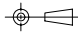
†Schematic diagrams shown represent the contact states while the actuating key is fully inserted and engaged in the head of the switch.

★The N.O. contacts will close after the N.C. contacts open. They do not change state simultaneously.



"THE SQUARE D COMPANY HAS PROPRIETARY RIGHTS TO THE INFORMATION CONTAINED HEREON. THIS INFORMATION REMAINS THE PROPERTY OF SQUARE D COMPANY AND MAY BE USED ONLY IN CONFORMANCE WITH INSTRUCTIONS ISSUED BY SQUARE D COMPANY. USER SHOULD VERIFY DRAWINGS ARE TO THE LATEST/CURRENT REVISION PRIOR TO INCORPORATING IN A DESIGN FILE."

DO NOT SCALE DRAWING
UNLESS OTHERWISE SPECIFIED DIMENSIONS ARE IN INCHES

THIRD ANGLE
PROJECTION 
TOLERANCES
UNLESS OTHERWISE SPECIFIED
2 PLACE DECIMALS ± .01

XCSPA SAFETY INTERLOCK SWITCHES
XCSPA593, XCSPA693, XCSPA793

 **SQUARE D COMPANY**

DWG# XCSPA_OUTLINE_001
NO.