

XACA215

Pendant control station, Harmony XAC, plastic, yellow, pistol grip, 2 booted push buttons with NO+NC



Main

| | |
|---------------------------|-------------------------|
| Range of Product | Harmony XAC |
| Product or Component Type | Pendant control station |
| Device short name | XACA pistol grip |

Complementary

| | |
|---------------------------------------|---------------------------------------------------------------------------------------------------------------------------------------------------------------------------------------------------------------------------------------------------------|
| Control station type | Double insulated |
| Enclosure Material | Polypropylene |
| Control Type | Intuitive |
| Electrical circuit type | Control circuit |
| Enclosure Type | Complete ready for use |
| Control station application | Control of single speed hoist motor |
| Control station composition | 2 booted push-buttons |
| Control button type | First push-button 1 NC + 1 NO raise, slow Second push-button 1 NC + 1 NO lower, slow |
| Product compatibility | ZB2BE102 + ZB2BE101 for each direction |
| Mechanical interlocking | With mechanical interlocking |
| Control station colour | Yellow |
| Connections - terminals | Screw clamp terminals, 1 x 2.5 mm ² with or without cable end Screw clamp terminals, 2 x 1.5 mm ² with or without cable end |
| Standards | EN/ISO 13850: 2006 UL 508 EN/IEC 60204-32 CSA C22.2 No 14 EN/IEC 60947-5-1 EN/IEC 60947-5-5 |
| Product Certifications | UL CSA |
| Protective treatment | TH |
| Ambient Air Temperature for Operation | -13...158 °F (-25...70 °C) |
| Ambient Air Temperature for Storage | -40...158 °F (-40...70 °C) |
| Vibration resistance | 15 gn 10...500 Hz)IEC 60068-2-6 |
| Shock resistance | 100 gn IEC 60068-2-27 |
| Overvoltage category | Class II IEC 61140 |
| IP degree of protection | IP65 conforming to IEC 60529 |
| IK degree of protection | IK08 EN 50102 |
| Mechanical durability | 1000000 cycles |
| Cable entry | Rubber sleeve with stepped entry 0.28...0.59 in (7...15 mm) |
| Contact code designation | A600 AC-15, Ue = 240 V, Ie = 3 A IEC 60947-5-1 appendix A A600 AC-15, Ue = 600 V, Ie = 1.2 A IEC 60947-5-1 appendix A Q600 DC-13, Ue = 250 V, Ie = 0.27 A IEC 60947-5-1 appendix A Q600 DC-13, Ue = 600 V, Ie = 0.1 A IEC 60947-5-1 appendix A |

| | |
|----------------------------------------------|--------------------------------------------------------------------------------------------------------------------------------------------------------------------------------------------------------------------------------------------------------|
| [Ithe] conventional enclosed thermal current | 10 A |
| [Ui] rated insulation voltage | 600 V 3)IEC 60947-1 |
| [Uimp] rated impulse withstand voltage | 6 kV IEC 60947-1 |
| Contact operation | Slow-break |
| Maximum resistance across terminals | 25 MOhm |
| Operating force | 13...15 N |
| Short-circuit protection | 10 A fuse protection cartridge gG |
| Rated operational power in W | 40 W DC-13 1000000 cycles 60 cyc/mn 120 V 0.5 inductive IEC 60947-5-1 appendix C 48 W DC-13 1000000 cycles 60 cyc/mn 48 V 0.5 inductive IEC 60947-5-1 appendix C 65 W DC-13 1000000 cycles 60 cyc/mn 24 V 0.5 inductive IEC 60947-5-1 appendix C |
| Terminals description ISO n°1 | (13-14)NO (11-12)NC |
| Terminal identifier | (11-12)NC (13-14)NO |
| Net Weight | 0.71 lb(US) (0.32 kg) |



Ordering and shipping details

| | |
|-------------------|----------------------------|
| Category | 22473-PUSHBUTTON, PENDANTS |
| Discount Schedule | CS2 |
| GTIN | 3389110644838 |
| Returnability | No |
| Country of origin | FR |

Packing Units

| | |
|------------------------------|---------------------------|
| Unit Type of Package 1 | PCE |
| Number of Units in Package 1 | 1 |
| Package 1 Height | 2.40 in (6.100 cm) |
| Package 1 Width | 3.50 in (8.900 cm) |
| Package 1 Length | 12.05 in (30.600 cm) |
| Package 1 Weight | 10.30 oz (292.000 g) |
| Unit Type of Package 2 | S03 |
| Number of Units in Package 2 | 15 |
| Package 2 Height | 11.81 in (30.000 cm) |
| Package 2 Width | 11.81 in (30.000 cm) |
| Package 2 Length | 15.75 in (40.000 cm) |
| Package 2 Weight | 10.77 lb(US) (4.885 kg) |
| Unit Type of Package 3 | P06 |
| Number of Units in Package 3 | 120 |
| Package 3 Height | 30.31 in (77.000 cm) |
| Package 3 Width | 31.50 in (80.000 cm) |
| Package 3 Length | 23.62 in (60.000 cm) |
| Package 3 Weight | 109.89 lb(US) (49.844 kg) |

Offer Sustainability

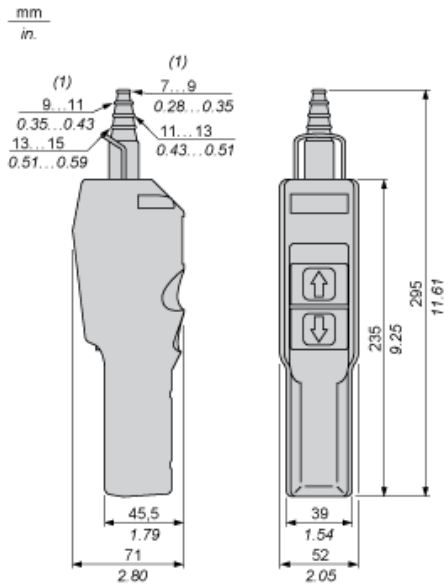
| | |
|---------------------------|------------------------------------------------------------------------------------------------------------------------------------------------------------------------------------------------------------------------------------------------------------------------------------------------------------------------------------------------------------------------|
| Sustainable offer status | Green Premium product |
| California proposition 65 | WARNING: This product can expose you to chemicals including: Nickel compounds, which is known to the State of California to cause cancer, and Di-isodecyl phthalate (DIDP), which is known to the State of California to cause birth defects or other reproductive harm. For more information go to www.P65Warnings.ca.gov |
| REACH Regulation |  REACH Declaration |
| REACH free of SVHC | Yes |
| EU RoHS Directive | Pro-active compliance (Product out of EU RoHS legal scope)  EU RoHS Declaration |
| Toxic heavy metal free | Yes |

| | |
|----------------------------|------------------------------------------------------------------------------------------------------------------------------|
| Mercury free | Yes |
| China RoHS Regulation | China RoHS Declaration |
| RoHS exemption information | Yes |
| Environmental Disclosure | Product Environmental Profile |
| WEEE | The product must be disposed on European Union markets following specific waste collection and never end up in rubbish bins. |

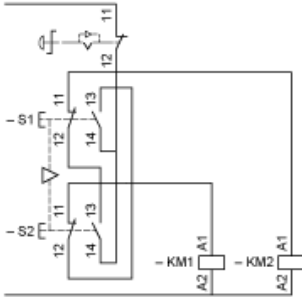
Contractual warranty

| | |
|----------|-----------|
| Warranty | 18 months |
|----------|-----------|

Dimensions



Control of Single-Speed Reversing Motor

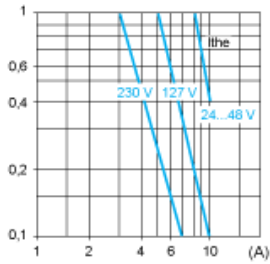


Rated Operational Power

AC Supply 50/60 Hz Inductive Circuit

Operating rate: 3600 operating cycles/hour. Load factor: 0.5.

Millions of operating cycles, AC-15 utilization category



I_{the} Thermal current
(A) Current

DC Supply

Operating rate: 3600 operating cycles/hour. Load factor: 0.5.

Power broken in W for 1 million operating cycles, DC-13 utilization category

| Voltage | V | 24 | 48 | 120 |
|-------------------|---|----|----|-----|
| Inductive circuit | W | 65 | 48 | 40 |