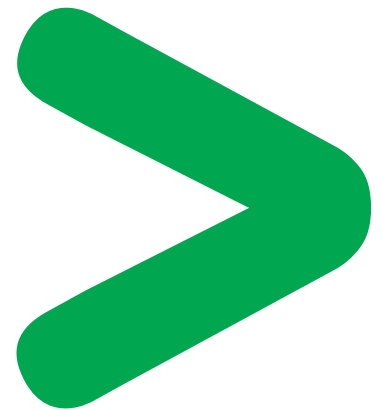
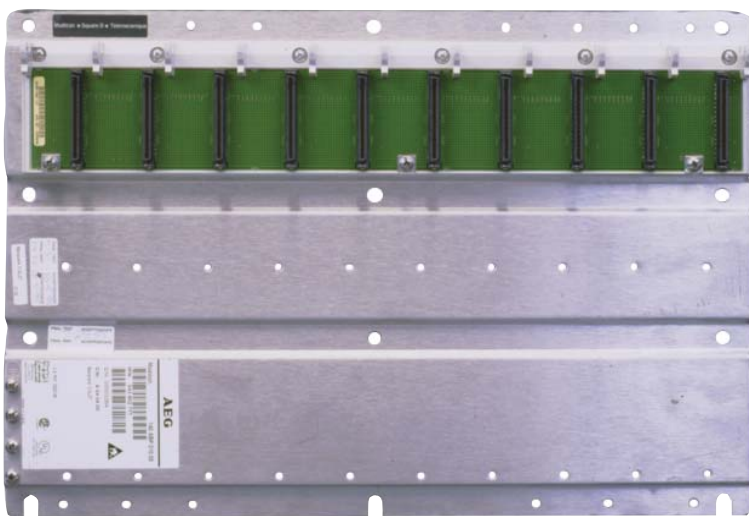


Product End-of-Life Instructions

QUANTUM BACKPLANES

Product Range
QUANTUM BACKPLANES

Marketing Model
140XBP01000



Size in mm:
H x L x D: 5 x 290 x 428

Weight in kg (or g):
Between 500 and 2500 g



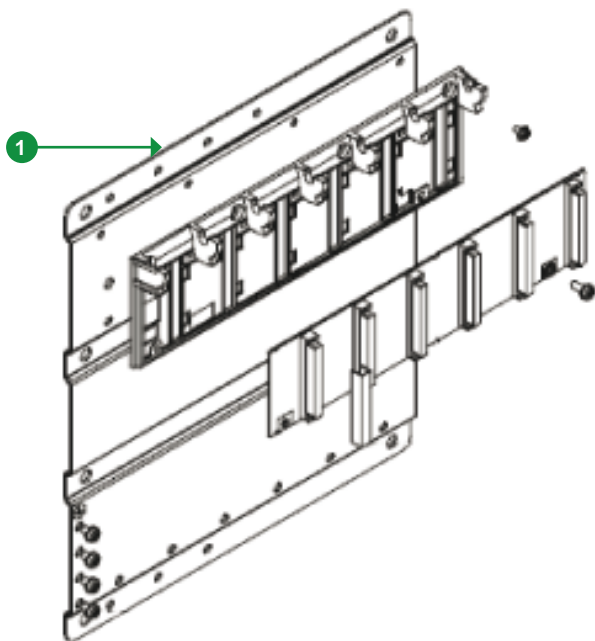
Schneider
Electric

Operations recommended for the end of life treatment

There are several steps to process the products at the end of life so as to recover components, materials or energy:

Reuse ⇒ **Separation for special treatment** ⇒ **Other dismantling** ⇒ **Shredding**

The components of the products that optimize the recycling performances are listed, identified and located hereunder.



Recommendation	Number on drawing	Components	Weight (g)	Comment
Other dismantling	1	Stainless Steel	1500g	(Valorisation)

Schneider Electric Industries SAS

35, rue Joseph Monier
CS30323
F - 92506 Rueil Malmaison Cedex

RCS Nanterre 954 503 439
Capital social 896 313 776 €
www.schneider-electric.com

The version of the Guide used to create the document: End of Life Instruction Drafting Guide of Schneider Electric version V0.

Publication: Schneider Electric