

# 9001KA53

Contact block with protected terminals,  
Harmony 9001K, Harmony 9001SK, 240V,  
screw clamp terminal, power reed, hermetically  
sealed, 1NC



## Main

|                           |                                 |
|---------------------------|---------------------------------|
| Range of Product          | Harmony 9001K<br>Harmony 9001SK |
| Product or Component Type | Contact block                   |
| Device short name         | 9001K                           |

## Complementary

|  |  |
|--|--|
| Net Weight   | 0.10 lb(US) (0.045 kg)   |
| Contacts type and composition                            | 1 NC   |
| Contact operation  | Power reed<br>Hermetically sealed  |
| Contacts usage   | Hermetically sealed contacts   |
| Positive opening   | Without  |
| Connections - terminals                                  | Screw clamp terminals, 1 x 0.22...2 x 2.5 mm <sup>2</sup> IEC 60947-1  |
| Tightening torque  | 7.08 lbf.in (0.8 N.m) IEC 60947-1  |
| Shape of screw head                                      | Cross slotted  |
| Short-circuit protection                                 | 10 A cartridge fuse IEC 60947-5-1  |
| [I <sub>th</sub> ] conventional free air thermal current | 10 A   |
| [U <sub>i</sub> ] rated insulation voltage               | 250 V 3)IEC 60947-1  |
| [U <sub>imp</sub> ] rated impulse withstand voltage      | 2.5 kV IEC 60947-1   |
| [I <sub>e</sub> ] rated operational current              | 3 A 240 V, AC-15, A600-Q600 NEMA<br>0.55 A 125 V, DC-13, A600-Q600 NEMA  |
| [I <sub>cm</sub> ] rated short-circuit making capacity   | 12 KA 600 V AC-15, 7200 VA<br>15 KA 480 V AC-15, 7200 VA<br>30 KA 240 V AC-15, 7200 VA<br>60 KA 120 V AC-15, 7200 VA<br>0.55 KA 125 V DC-13<br>0.1 KA 600 V DC-13<br>0.27 kA 250 V DC-13 |
| Rated breaking capacity                                  | 3 KA 240 V AC-15, 720 VA<br>6 KA 120 V AC-15, 720 VA<br>1.2 KA 600 V AC-15, 720 VA<br>1.5 KA 480 V AC-15, 720 VA<br>0.1 KA 600 V DC-13<br>0.27 KA 250 V DC-13<br>0.55 kA 125 V DC-13     |
| [U <sub>s</sub> ] rated supply voltage                   | 240 V  |
| Connections - Terminals                                  | Screw-clamp terminals  |

The information provided in this documentation contains general descriptions and/or technical characteristics of the performance of the products contained herein. This documentation is not intended as a substitute for and is not to be used for determining suitability or reliability of these products for specific user applications. It is the duty of any such user or integrator to perform the appropriate and complete risk analysis, evaluation and testing of the products with respect to the relevant specific application or use thereof. Neither Schneider Electric Industries SAS nor any of its affiliates or subsidiaries shall be responsible or liable for misuse of the information contained herein.

## Environment

|                                       |  |
|---------------------------------------|--|
| Protective treatment                  | TC   |
| Ambient Air Temperature for Storage   | -40...158 °F (-40...70 °C)   |
| Ambient Air Temperature for Operation | -13...158 °F (-25...70 °C)   |
| Electrical shock protection class     | Class II IEC 61140   |
| Standards                             | CSA C22.2 No 14<br>EN/IEC 60947-1<br>EN/IEC 60947-5-1<br>JIS C 4520<br>JIS C 852<br>EN/IEC 60947-5-4<br>UL 508 |
| Product Certifications                | NEMA<br>UL 508   |
| Vibration resistance                  | 7 gn 2...500 Hz)IEC 60068-2-6  |
| Shock resistance                      | 50 gn IEC 60068-2-27   |

## Ordering and shipping details

|                   |                              |
|-------------------|------------------------------|
| Category          | 21434-9001 KA CONTACT BLOCKS |
| Discount Schedule | CS1                          |
| GTIN              | 3389118042520                |
| Returnability     | Yes                          |
| Country of origin | US                           |

## Packing Units

|                              |                    |
|------------------------------|--------------------|
| Unit Type of Package 1       | PCE                |
| Number of Units in Package 1 | 1                  |
| Package 1 Height             | 1.10 in (2.8 cm)   |
| Package 1 Width              | 1.69 in (4.3 cm)   |
| Package 1 Length             | 1.89 in (4.8 cm)   |
| Package 1 Weight             | 1.44 oz (40.8 g)   |
| Unit Type of Package 2       | S01                |
| Number of Units in Package 2 | 12                 |
| Package 2 Height             | 5.91 in (15.0 cm)  |
| Package 2 Width              | 5.91 in (15.0 cm)  |
| Package 2 Length             | 15.75 in (40.0 cm) |
| Package 2 Weight             | 24.87 oz (705.0 g) |

## Offer Sustainability

|                            |  |
|----------------------------|--|
| Sustainable offer status   | Green Premium product  |
| California proposition 65  | WARNING: This product can expose you to chemicals including: Nickel compounds, which is known to the State of California to cause cancer, and Di-isodecyl phthalate (DIDP), which is known to the State of California to cause birth defects or other reproductive harm. For more information go to <a href="http://www.P65Warnings.ca.gov">www.P65Warnings.ca.gov</a> |
| REACH Regulation           | <a href="#">REACH Declaration</a>  |
| EU RoHS Directive          | Pro-active compliance (Product out of EU RoHS legal scope) <a href="#">EU RoHS Declaration</a>   |
| Mercury free               | Yes  |
| China RoHS Regulation      | <a href="#">China RoHS Declaration</a>   |
| RoHS exemption information | <a href="#">Yes</a>  |
| Environmental Disclosure   | <a href="#">Product Environmental Profile</a>  |
| WEEE                       | The product must be disposed on European Union markets following specific waste collection and never end up in rubbish bins.   |

## Contractual warranty

---

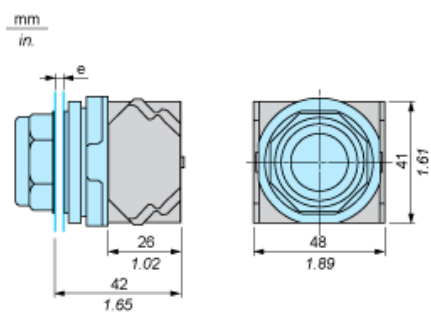
|          |           |
|----------|-----------|
| Warranty | 18 months |
|----------|-----------|

---

---

Dimensions

---



e panel thickness: 1 to 6 mm / 0.04 to 0.24 in.