



Main

| | |
|---------------------------|---|
| Range of Product | Lexium 28 |
| Product or Component Type | Motion servo drive |
| Device short name | LXM28S |
| Format of the drive | Compact housing |
| Line current | 1.2 A 239.2 % 220 V, single phase 1.2 A 212.7 % 220 V, three phase |

Complementary

| | |
|---------------------------|--|
| Phase | Three phase Single phase |
| [Us] rated supply voltage | 220 V - 10...15 % three phase 220 V - 20...15 % single phase |
| Supply voltage limits | 200...255 V three phase 170...255 V single phase |
| Supply frequency | 50/60 Hz - 5...5 % |
| Network Frequency | 47.5...63 Hz |
| EMC filter | Without EMC filter |
| Continuous output current | 0.9 A 16 kHz |
| Output current 3s peak | 2.7 A 220 V |
| Continuous power | 100 W 220 V |
| Nominal power | 0.1 kW 220 V 16 kHz |
| Switching frequency | 16 kHz |
| Overvoltage category | III |
| Maximum leakage current | 1.3 mA |
| Output voltage | <= power supply voltage |
| Electrical isolation | Between power and control |
| Type of cable | Shielded motor cable 32...131 °F (0...55 °C) copper |
| Electrical connection | Spring terminal 0.82...1 mm ² , AWG 18 L1-L2) Spring terminal 0.82...1 mm ² , AWG 18 R, S, T) Spring terminal 0.82...1 mm ² , AWG 18 U, V, W, PE) Spring terminal 0.82...1 mm ² , AWG 18 PA/+, PBe) |
| Discrete input number | 8 programmable CN1) 2 fast capture CN1) 1 safety function STO CN9) |
| Discrete input voltage | 24 V DC logic |
| Discrete input logic | Positive or negative CN1) |
| Discrete output number | 4 logic output CN1)12...24 V DC 1 pulse train output (PTO) CN1) |
| Discrete output voltage | 12...24 V DC |
| Discrete output logic | Positive or negative CN1) |
| Control signal type | Servo motor encoder feedback CN2 |

The information provided in this documentation contains general descriptions and/or technical characteristics of the performance of the products contained herein. This documentation is not intended as a substitute for and is not to be used for determining suitability or reliability of these products for specific user applications. It is the duty of any such user or integrator to perform the appropriate and complete risk analysis, evaluation and testing of the products with respect to the relevant specific application or use thereof. Neither Schneider Electric Industries SAS nor any of its affiliates or subsidiaries shall be responsible or liable for misuse of the information contained herein.

| | |
|--------------------------|--|
| Protection type | Against reverse polarity inputs signal Against short-circuits outputs signal Overcurrent motor Overvoltage motor Undervoltage motor Overheating motor Overload motor Overspeed motor |
| Safety function | STO (safe torque off), Integrated |
| Safety level | SIL 2 IEC 61800-5-2 2007 SIL 2 IEC 61508-1 2010 PL d/category 3 EN/ISO 13849-1 2008 SIL 2 EN/ISO 13849-1 2009/AC SIL 2 EN 60204-1 2006 SIL 2 EN 60204-1 2009/A1 SIL 2 EN 60204-1 2010/AC SIL 2 IEC 62061 2012 |
| Communication interface | Modbus, Integrated SERCOS III, Integrated |
| Connector type | RJ45 CN3) RJ45 CN4) |
| Method of access | Slave |
| Transmission rate | 9600 bauds...115200 bauds (automatic detection) 328.08 ft (100 m) |
| Status LED | 1 LED (Red) charge 1 LED (Green) RUN 1 LED (Red) error |
| Signalling function | Servo status and fault codes five 7-segment display units |
| Marking | CSA CULus CE |
| Type of cooling | Natural convection |
| Operating position | Vertical |
| Product compatibility | Servo motor BCH2 1.57 in (40 mm), 2 100 W |
| Width | 2.17 in (55 mm) |
| Height | 5.91 in (150 mm) |
| Depth | 5.75 in (146 mm) |
| Net Weight | 2.20 lb(US) (1 kg) |
| Output current 3s peak 2 | 2.7 A 220 V |
| Output current 3s peak 3 | 2.7 A 220 V |

Environment

| | |
|---------------------------------------|---|
| Electromagnetic compatibility | Conducted emission level 3category C3 EN/IEC 61800-3 |
| Standards | EN/IEC 61800-5-1 |
| Product Certifications | CE CSA cULus |
| IP degree of protection | IP20 |
| Vibration resistance | 3M4 3 mm 9...200 Hz)IEC 60721-3-3 |
| Shock resistance | 10 gn, type I IEC 60721-3-3 |
| Relative humidity | 5...95 % without condensation |
| Ambient Air Temperature for Operation | 32...131 °F (0...55 °C) |
| Ambient Air Temperature for Storage | -13...149 °F (-25...65 °C) |
| Operating altitude | <= 3280.84 ft (1000 m) without derating > 3280.84...6561.68 ft (> 1000...2000 m) 1 % per 100 m |

Ordering and shipping details

| | |
|-------------------|---------------------------------|
| Category | 18262-LEXIUM 23/28 SERVO DRIVES |
| Discount Schedule | PC51 |
| GTIN | 3606489934323 |
| Returnability | No |
| Country of origin | CN |

Packing Units

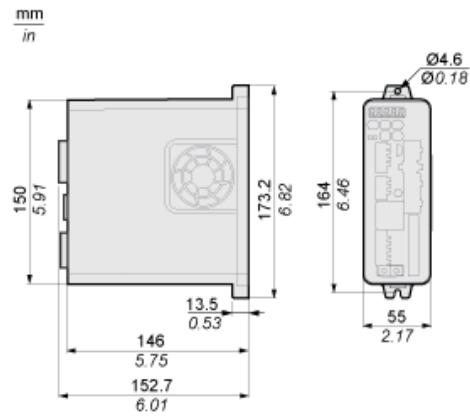
| | |
|------------------------------|-------------------------|
| Unit Type of Package 1 | PCE |
| Number of Units in Package 1 | 1 |
| Package 1 Height | 2.95 in (7.5 cm) |
| Package 1 Width | 9.06 in (23.0 cm) |
| Package 1 Length | 9.33 in (23.7 cm) |
| Package 1 Weight | 2.82 lb(US) (1.281 kg) |
| Unit Type of Package 2 | S03 |
| Number of Units in Package 2 | 5 |
| Package 2 Height | 11.81 in (30.0 cm) |
| Package 2 Width | 11.81 in (30.0 cm) |
| Package 2 Length | 15.75 in (40.0 cm) |
| Package 2 Weight | 15.42 lb(US) (6.994 kg) |

Offer Sustainability

| | |
|----------------------------|---|
| Sustainable offer status | Green Premium product |
| California proposition 65 | WARNING: This product can expose you to chemicals including: Lead and lead compounds, which is known to the State of California to cause cancer and birth defects or other reproductive harm. For more information go to www.P65Warnings.ca.gov |
| REACH Regulation | REACH Declaration |
| REACH free of SVHC | Yes |
| EU RoHS Directive | Pro-active compliance (Product out of EU RoHS legal scope) EU RoHS Declaration |
| Mercury free | Yes |
| China RoHS Regulation | China RoHS Declaration |
| RoHS exemption information | Yes |
| Environmental Disclosure | Product Environmental Profile |
| Circularity Profile | End Of Life Information |
| WEEE | The product must be disposed on European Union markets following specific waste collection and never end up in rubbish bins. |
| PVC free | Yes |

Dimensions

Dimensions of Drive



Mounting Clearance

Mounting Distances and Air Circulation

mm
in.

