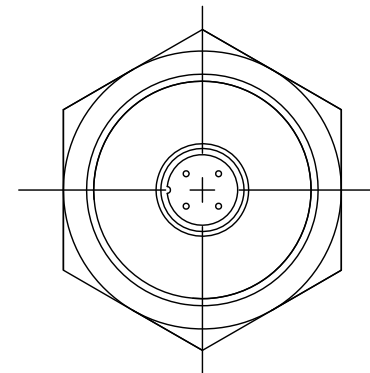


FRONT



RIGHT

DUAL DIMENSIONS: INCHES
MILLIMETERS

PROXIMITY SENSOR 30MM AC/DC XS6

SQUARE D[™]
by Schneider Electric

DWG# XS630B1MAU20
NO.