



Main

| | |
|---------------------------------------|----------------------------------|
| Range of Product | Modicon M340 automation platform |
| Accessory / separate part category | Connection accessories |
| Accessory / Separate Part Type | Backplane |
| Accessory / separate part designation | M340 backplane extender kit |
| Product Compatibility | BMXXBE1000 |
| Accessory / separate part destination | M340 backplane |

Complementary

| | |
|-----------------|---------------------------|
| Kit composition | Cable and line terminator |
|-----------------|---------------------------|

Environment

| | |
|------------------------------|---|
| Directives | 2014/35/EU - low voltage directive 2014/30/EU - electromagnetic compatibility 2014/34/EU - ATEX directive |
| Product certifications | CE UL CSA RCM EAC Merchant Navy ATEX zone 2/22 IECEx zone 2/22 |
| Standards | EN/IEC 61131-2 EN/IEC 61010-2-201 UL 61010-2-201 CSA C22.2 No 61010-2-201 IACS E10 EN/IEC 61000-6-5, interface type 1 and type 2 EN/IEC 61850-3, location G EN/IEC 60079-0 |
| Environmental characteristic | Hazardous location class I division 2 |

Ordering and shipping details

| | |
|-------------------|--------------------|
| Category | 18160-MODICON M340 |
| Discount Schedule | PC34 |
| GTIN | 3595863999693 |
| Returnability | Yes |
| Country of origin | FR |

Packing Units

| | |
|------------------------------|----------------------|
| Unit Type of Package 1 | PCE |
| Number of Units in Package 1 | 1 |
| Package 1 Height | 2.44 in (6.200 cm) |
| Package 1 Width | 7.99 in (20.300 cm) |
| Package 1 Length | 8.74 in (22.200 cm) |
| Package 1 Weight | 21.59 oz (612.000 g) |
| Unit Type of Package 2 | S04 |

| | |
|------------------------------|-------------------------|
| Number of Units in Package 2 | 10 |
| Package 2 Height | 11.81 in (30.000 cm) |
| Package 2 Width | 15.75 in (40.000 cm) |
| Package 2 Length | 23.62 in (60.000 cm) |
| Package 2 Weight | 15.33 lb(US) (6.955 kg) |

Offer Sustainability

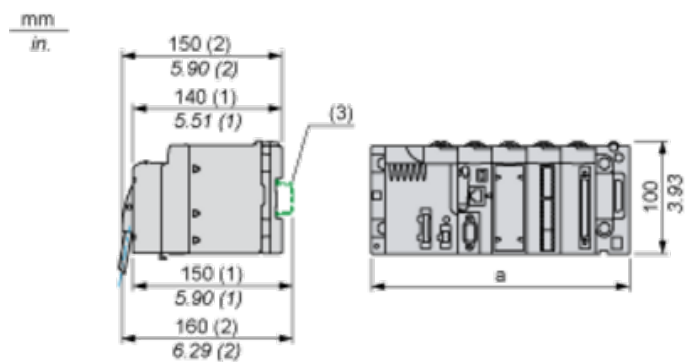
| | |
|----------------------------|---|
| Sustainable offer status | Green Premium product |
| California proposition 65 | WARNING: This product can expose you to chemicals including: Lead and lead compounds, which is known to the State of California to cause cancer and birth defects or other reproductive harm. For more information go to www.P65Warnings.ca.gov |
| REACH Regulation | REACH Declaration |
| REACH free of SVHC | Yes |
| EU RoHS Directive | Pro-active compliance (Product out of EU RoHS legal scope) EU RoHS Declaration |
| Mercury free | Yes |
| China RoHS Regulation | China RoHS Declaration |
| RoHS exemption information | Yes |
| Environmental Disclosure | Product Environmental Profile |
| Circularity Profile | End Of Life Information |

Contractual warranty

| | |
|----------|-----------|
| Warranty | 18 months |
|----------|-----------|

Modules Mounted on Racks

Dimensions



(1) With removable terminal block (cage, screw or spring).

(2) With FCN connector.

(3) On AM1 ED rail: 35 mm wide, 15 mm deep. Only possible with BMXXBP0400/0400H/0600/0600H/0800/0800H rack.

| Rack references | a in mm | a in in. |
|----------------------------|---------|----------|
| BMXXBP0400 and BMXXBP0400H | 242.4 | 09.54 |
| BMXXBP0600 and BMXXBP0600H | 307.6 | 12.11 |
| BMXXBP0800 and BMXXBP0800H | 372.8 | 14.68 |
| BMXXBP1200 and BMXXBP1200H | 503.2 | 19.81 |