



LED module with integrated LED 24 V AC/DC, red, screw terminal, for front plate mounting, Minimum order quantity 5 or a multiple thereof

product brand name	SIRIUS ACT
product designation	LED module
product type designation	3SU1

General technical data

product component	
<ul style="list-style-type: none"> • diode • lamp transformer • light source • series resistor 	<p>Yes</p> <p>No</p> <p>Yes</p> <p>No</p>
insulation voltage rated value	320 V
degree of pollution	3
type of voltage of the operating voltage	AC/DC
<ul style="list-style-type: none"> • for actuation 	AC/DC
surge voltage resistance rated value	4 kV
consumed current maximum	25 mA
protection class IP	
<ul style="list-style-type: none"> • of the enclosure • of the terminal 	<p>IP40</p> <p>IP20</p>
shock resistance	
<ul style="list-style-type: none"> • according to IEC 60068-2-27 • for railway applications according to EN 61373 	<p>sinusoidal half-wave 15g / 11 ms</p> <p>Category 1, Class B</p>
vibration resistance	
<ul style="list-style-type: none"> • according to IEC 60068-2-6 • for railway applications according to EN 61373 	<p>10 ... 500 Hz: 5g</p> <p>Category 1, Class B</p>
operating period typical	100 000 h
reference code according to IEC 81346-2	P
Substance Prohibition (Date)	10/01/2014
operating voltage 1	
<ul style="list-style-type: none"> • at AC <ul style="list-style-type: none"> — at 50 Hz rated value — at 60 Hz rated value • at DC rated value 	<p>24 V</p> <p>24 V</p> <p>24 V</p>
relative positive tolerance of the operating voltage	20 %
relative negative tolerance of the operating voltage	20 %

Control circuit/ Control

inrush current maximum	2 A
-------------------------------	-----

Connections/ Terminals

type of electrical connection	screw-type terminals
type of connectable conductor cross-sections	
<ul style="list-style-type: none"> • solid with core end processing • solid without core end processing 	<p>2x (0.5 ... 0.75 mm²)</p> <p>2x (1.0 ... 1.5 mm²)</p>

<ul style="list-style-type: none"> finely stranded with core end processing finely stranded without core end processing at AWG cables 	2x (0.5 ... 1.5 mm ²) 2x (1,0 ... 1,5 mm ²) 2x (18 ... 14)
tightening torque with screw-type terminals	0.8 ... 0.9 N·m

Lamp

type of light source	LED
color of the light source	red
light intensity	450 ... 1 120 mcd
certificate of suitability	
<ul style="list-style-type: none"> ATEX IECEX 	No No

Ambient conditions

ambient temperature	
<ul style="list-style-type: none"> during operation during storage 	-25 ... +70 °C -40 ... +80 °C
environmental category during operation according to IEC 60721	3M6, 3S2, 3B2, 3C3, 3K6 (with relative air humidity of 10 ... 95%, no condensation in operation permitted)

Installation/ mounting/ dimensions

fastening method	
<ul style="list-style-type: none"> of modules and accessories 	Front plate mounting
height	33.2 mm
width	9.8 mm
depth	29.4 mm
suitability for integration	
<ul style="list-style-type: none"> plastic enclosure metal enclosure 	Yes Yes

Certificates/ approvals

General Product Approval	EMC	Declaration of Conformity
---------------------------------	------------	----------------------------------



[Confirmation](#)



Declaration of Conformity	Test Certificates	Marine / Shipping
----------------------------------	--------------------------	--------------------------



EG-Konf.

[Special Test Certificate](#)

[Type Test Certificates/Test Report](#)



ABS



LRS



PRS

Marine / Shipping	other	Environment
--------------------------	--------------	--------------------



RINA

[Confirmation](#)

[Environmental Confirmations](#)

Further information

Siemens has decided to exit the Russian market (see here).

<https://press.siemens.com/global/en/pressrelease/siemens-wind-down-russian-business>

Siemens is working on the renewal of the current EAC certificates.

Please contact your local Siemens office on the status of validity of the EAC certification if you intend to import or offer to supply these products to an EAC relevant market (other than the sanctioned EAEU member states Russia or Belarus).

Information on the packaging

<https://support.industry.siemens.com/cs/ww/en/view/109813875>

Information- and Downloadcenter (Catalogs, Brochures,...)

<https://www.siemens.com/ic10>

Industry Mall (Online ordering system)

<https://mall.industry.siemens.com/mall/en/en/Catalog/product?mfb=3SU1401-1BB20-1AA0>

Cax online generator

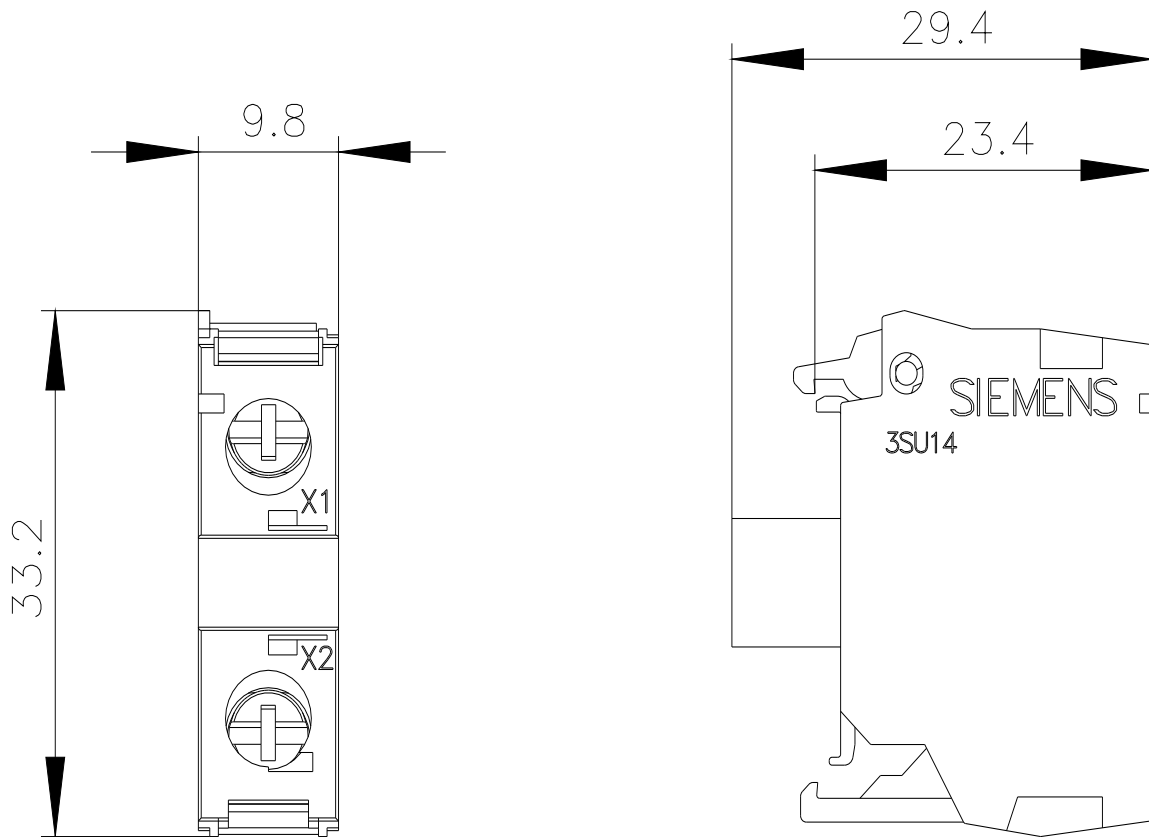
<http://support.automation.siemens.com/WW/CAXorder/default.aspx?lang=en&mfb=3SU1401-1BB20-1AA0>

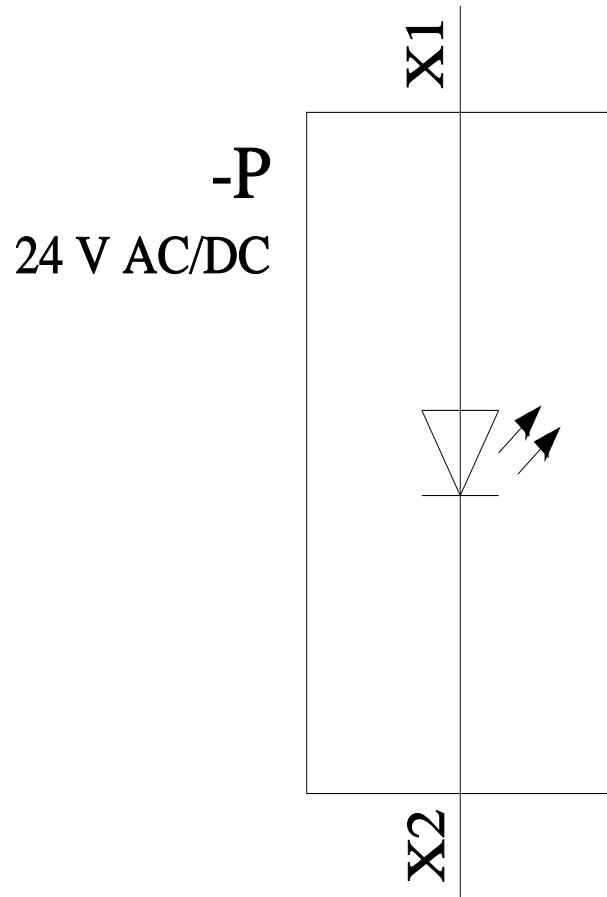
Service&Support (Manuals, Certificates, Characteristics, FAQs,...)

<https://support.industry.siemens.com/cs/ww/en/ps/3SU1401-1BB20-1AA0>

Image database (product images, 2D dimension drawings, 3D models, device circuit diagrams, EPLAN macros, ...)

http://www.automation.siemens.com/bilddb/cax_de.aspx?mfb=3SU1401-1BB20-1AA0&lang=en





last modified:

3/9/2022 