



SIMATIC ET 200SP communication module CM AS-Interface Master ST according to AS-i specification V3.0

### General technical data

|  |    |  |
|--|----|--|
| <b>product designation</b>   |    | AS-Interface Master  |
| <b>product type designation</b>  |    | CM AS-i Master ST  |
| <b>protection class IP</b>   |    | IP20   |
| <b>type of electrical connection of the AS-Interface</b>   |    | ET 200SP BaseUnit (Type C0), 20 mm                                     |
| <b>type of voltage supply</b>  |    | Via AS-i and backplane bus   |
| <b>operating condition separate power supply 24 V</b>  |    | No   |
| <b>consumed current</b>  |    |  |
| <ul style="list-style-type: none"> <li>from profile conductors of the AS-Interface                             <ul style="list-style-type: none"> <li>at 30 V maximum</li> </ul> </li> </ul> | mA | 70   |
| <ul style="list-style-type: none"> <li>at 24 V with AS-i Power24V maximum</li> </ul>   | mA | 70   |
| <ul style="list-style-type: none"> <li>from backplane bus maximum</li> </ul>   | mA | 20   |
| <b>power loss [W]</b>  | W  | 1.7  |
| <b>insulation voltage rated value</b>  | V  | 500  |
| <b>product function suitable for AS-i Power24V</b>   |    | Yes  |
| <ul style="list-style-type: none"> <li>note</li> </ul>   |    | All product versions   |
| <b>product feature redundancy capability</b>   |    | No   |
| <b>product function</b>  |    |  |
| <ul style="list-style-type: none"> <li>web-based management</li> </ul>   |    | No   |
| <ul style="list-style-type: none"> <li>diagnostics via email</li> </ul>  |    | No   |
| <ul style="list-style-type: none"> <li>galvanic isolation</li> </ul>   |    | Yes  |
| <b>display version</b>   |    |  |
| <ul style="list-style-type: none"> <li>as status display by LED</li> </ul>   |    | DIAG, AS-i OK, AS-i FAULT, PF, CER, CM, AUP, PWR, SL_Xy (A), SL_xY (B) |
| <b>type of configuration of the AS-Interface</b>   |    | Set pushbutton on device, STEP7, GSD, command interface                |

### Communication/ Protocol

|   |  |  |
|---|--|--|
| <b>version of the AS-Interface specification</b>                                    |  | V 3.0  |
| <b>AS-Interface master profile is supported</b>                                     |  | M4 (in acc. with AS-interface specification V 3.0) |
| <b>type of data transmission</b>  |  | ET 200SP backplane bus                             |
| <b>number of interfaces</b>   |  |  |
| <ul style="list-style-type: none"> <li>as AS-Interface</li> </ul>                   |  | 1  |
| <ul style="list-style-type: none"> <li>according to RS 485</li> </ul>               |  | 0  |
| <ul style="list-style-type: none"> <li>according to Industrial Ethernet</li> </ul>  |  | 0  |
| <ul style="list-style-type: none"> <li>according to PROFINET</li> </ul>             |  | 0  |
| <ul style="list-style-type: none"> <li>according to wireless</li> </ul>             |  | 0  |
| <ul style="list-style-type: none"> <li>according to USB</li> </ul>                  |  | 0  |
| <ul style="list-style-type: none"> <li>other</li> </ul>                             |  | 0  |
| <b>product component optical interface</b>  |  | No   |
| <b>protocol is supported</b>  |  |  |
| <ul style="list-style-type: none"> <li>ASIsafe (Safety at work) protocol</li> </ul> |  | No   |
| <ul style="list-style-type: none"> <li>PROFIsafe protocol</li> </ul>                |  | No   |

- PROFIBUS protocol
- PROFINET IO protocol
- PROFINET CBA protocol
- TCP/IP
- SNMP

standard for wireless communication IEEE 802.11

No  
No  
No  
No  
No  
No

#### Inputs/ Outputs

number of inputs for AS-Interface maximum  
 number of outputs for AS-Interface maximum  
 number of AS-i slaves per AS-Interface maximum  
 bus cycle time of the AS-Interface  
 • for 31 slaves  
 • for 62 slaves  
 access to digital I/O data  
 access to analog I/O data

496  
 496  
 62  
 ms 5  
 ms 10  
 via process image/peripheral addresses  
 via process diagram/peripheral addresses and data record transfer

#### Mechanical data

width  
 height  
 depth  
 fastening method  
 module format

mm 20  
 mm 69.2  
 mm 53.6  
 pluggable in BaseUnit  
 IP20

#### Ambient conditions

ambient temperature  
 • if installed on horizontal mounting rail  
 • if installed on vertical mounting rail during operation  
 • during transport  
 • during storage  
 relative humidity at 25 °C during operation maximum  
 installation altitude at height above sea level maximum

°C -25 ... +60  
 °C -25 ... +50  
 °C -40 ... +70  
 °C -40 ... +70  
 % 95  
 m 2 000

#### Safety related data

suitability for use safety-related function  
 explosion protection marking for intrinsic safety of related equipment  
 • EEx ia  
 • EEx ib  
 explosion protection category for gas  
 explosion protection category for dust

No  
 No  
 No  
 none  
 none

#### Certificates/ approvals

General Product Approval

EMC

For use in hazardous locations

[Confirmation](#)

[EM](#)



For use in hazardous locations

Declaration of Conformity

Marine / Shipping

other



other

[Confirmation](#)

## Further information

Siemens has decided to exit the Russian market (see here).

<https://press.siemens.com/global/en/pressrelease/siemens-wind-down-russian-business>

Siemens is working on the renewal of the current EAC certificates.

Please contact your local Siemens office on the status of validity of the EAC certification if you intend to import or offer to supply these products to an EAC relevant market (other than the sanctioned EAEU member states Russia or Belarus).

Information on the packaging

<https://support.industry.siemens.com/cs/ww/en/view/109813875>

Information- and Downloadcenter (Catalogs, Brochures,...)

<https://www.siemens.com/ic10>

Industry Mall (Online ordering system)

<https://mall.industry.siemens.com/mall/en/en/Catalog/product?mlfb=3RK7137-6SA00-0BC1>

Cax online generator

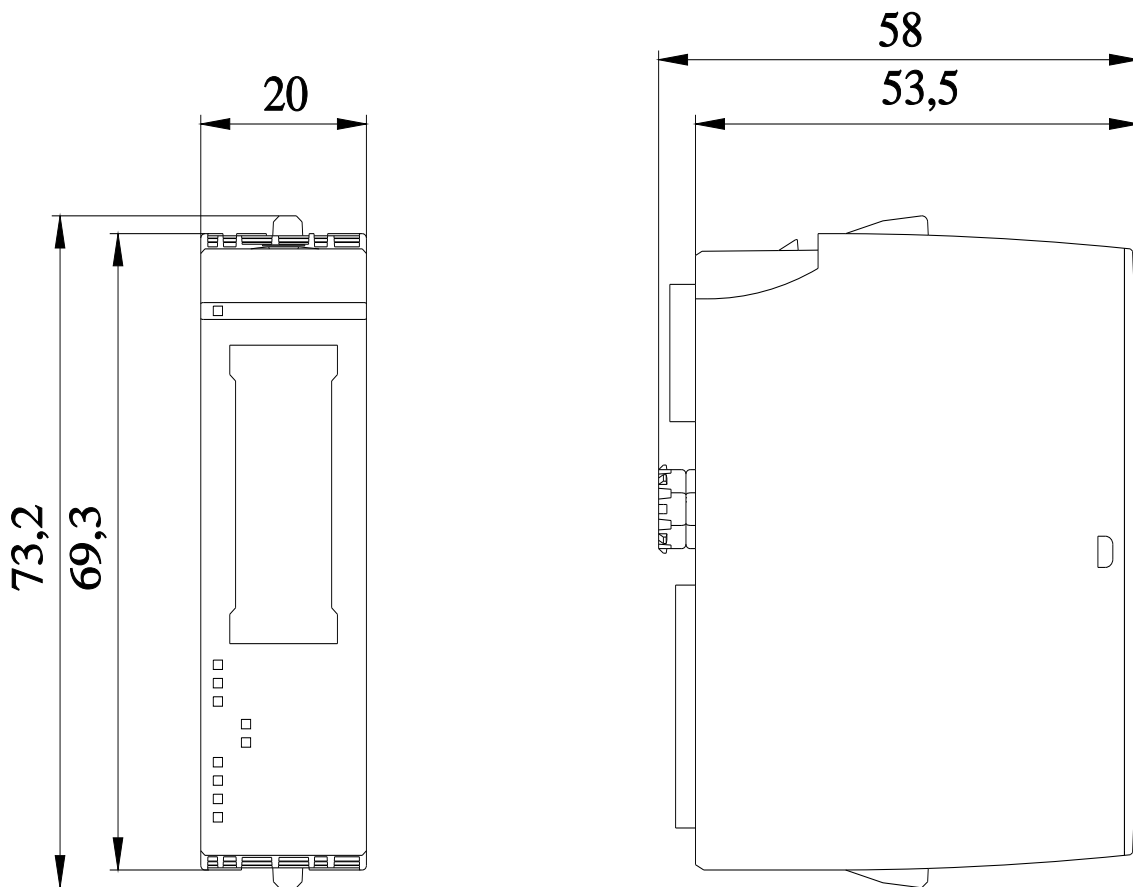
<http://support.automation.siemens.com/WW/CAxorder/default.aspx?lang=en&mlfb=3RK7137-6SA00-0BC1>

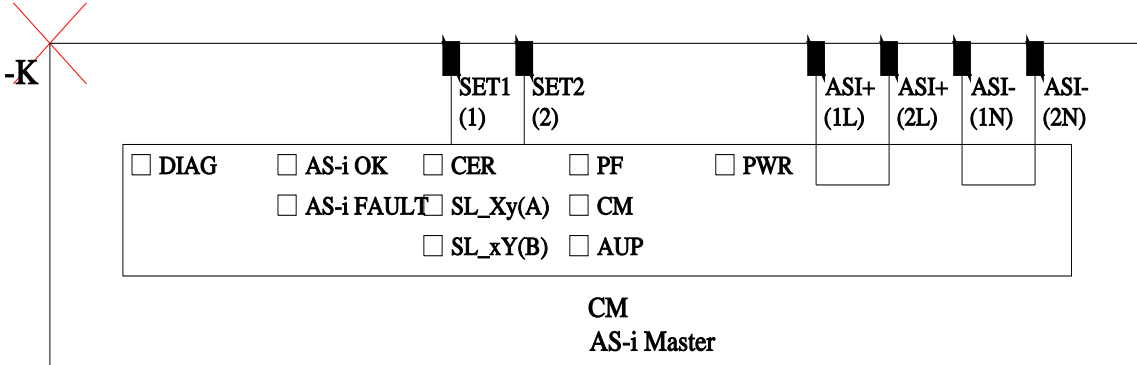
Service&Support (Manuals, Certificates, Characteristics, FAQs,...)

<https://support.industry.siemens.com/cs/ww/en/ps/3RK7137-6SA00-0BC1>

Image database (product images, 2D dimension drawings, 3D models, device circuit diagrams, EPLAN macros, ...)

[http://www.automation.siemens.com/bilddb/cax\\_de.aspx?mlfb=3RK7137-6SA00-0BC1&lang=en](http://www.automation.siemens.com/bilddb/cax_de.aspx?mlfb=3RK7137-6SA00-0BC1&lang=en)





last modified:

2/8/2023