



Switch disconnecter with fuse in new design  $I_u=125\text{ A}$ ,  $U_e = 690\text{ V}$ , 3-pole for LV HRC fuse Sz. 00 basic version without 8UC6 handle and shaft

Model	
product brand name	SENTRON
product designation	Switch disconnecter
design of the product	With 3KL fuses
design of the actuating element	manual operating mechanism
design of the load switch strip form	No
type of the driving mechanism motor drive	No
number of poles	3
size of disconnecting link	00 and 000
fuse system	LV HRC fuse
surge voltage resistance rated value	8 000 V
Supply voltage	
operating voltage at DC rated value	440 V
Protection class	
protection class IP	IP00
Dissipation	
power loss [W] for rated value of the current at AC in hot operating state per pole	7.3 W
Main circuit	
number of poles for main current circuit	3
operating power	
• at AC-23 A at 500 V rated value	65 000 W
operational current rated value	125 A
Auxiliary circuit	
number of CO contacts for auxiliary contacts	0
number of NC contacts for auxiliary contacts	0
number of NO contacts for auxiliary contacts	0
Connections	
connectable conductor cross-section for main contacts stranded maximum	70 mm <sup>2</sup>
type of electrical connection for main current circuit	flat connector, M6
Mechanical Design	
height	106 mm
width	185 mm
depth	143 mm
fastening method	Surface mounting and installation
fastening method	
• 4-hole front mounting	No
• front mounting with central attachment	No
• rail mounting	No

mounting position any



**Environmental conditions**

ambient temperature during operation	
• minimum	-25 °C
• maximum	55 °C
ambient temperature during storage	
• minimum	-50 °C
• maximum	80 °C

**General Product Approval      Test Certificates      Marine / Shipping**

[Confirmation](#)                        [Special Test Certificate](#)      

**Marine / Shipping      other      Environment**

            [Miscellaneous](#)      [Confirmation](#)      [Environmental Confirmations](#)

**Further information**

**Siemens has decided to exit the Russian market (see here).**  
<https://press.siemens.com/global/en/pressrelease/siemens-wind-down-russian-business>

**Siemens is working on the renewal of the current EAC certificates.**  
Please contact your local Siemens office on the status of validity of the EAC certification if you intend to import or offer to supply these products to an EAC relevant market (other than the sanctioned EAEU member states Russia or Belarus).

**Information on the packaging**  
<https://support.industry.siemens.com/cs/ww/en/view/109813875>

**Information- and Downloadcenter (Catalogs, Brochures,...)**  
<http://www.siemens.com/lowvoltage/catalogs>

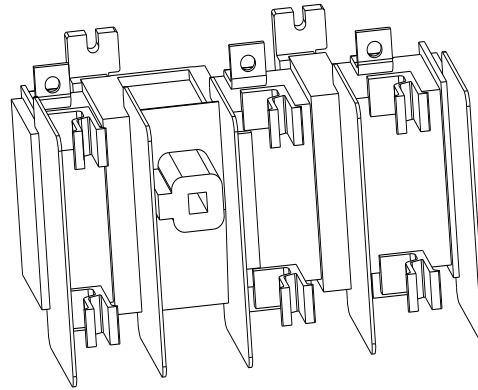
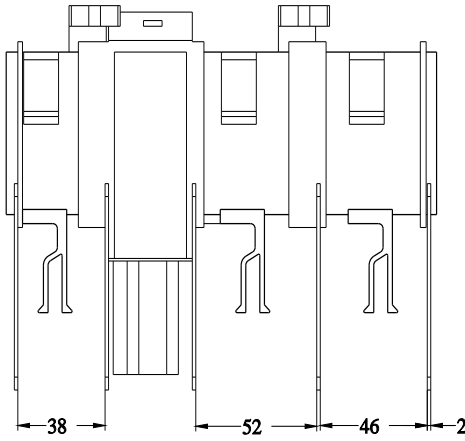
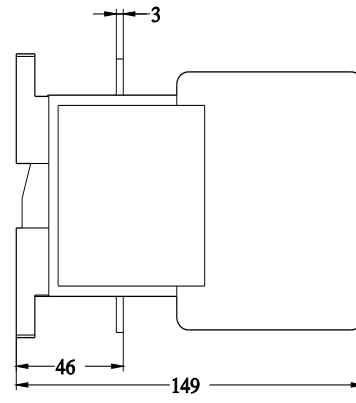
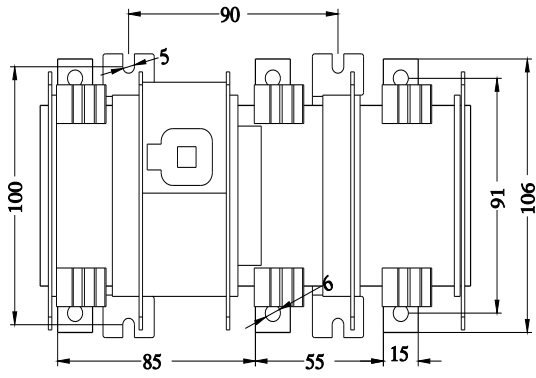
**Industry Mall (Online ordering system)**  
<https://mall.industry.siemens.com/mall/en/en/Catalog/product?mlfb=3KL5230-1AB01>

**Service&Support (Manuals, Certificates, Characteristics, FAQs,...)**  
<https://support.industry.siemens.com/cs/ww/en/ps/3KL5230-1AB01>

**Image database (product images, 2D dimension drawings, 3D models, device circuit diagrams, ...)**  
[http://www.automation.siemens.com/bilddb/cax\\_en.aspx?mlfb=3KL5230-1AB01](http://www.automation.siemens.com/bilddb/cax_en.aspx?mlfb=3KL5230-1AB01)

**CAX-Online-Generator**  
<http://www.siemens.com/cax>

**Tender specifications**  
<http://www.siemens.com/specifications>



last modified:

9/14/2021 

