



LV HRC fuse element, NH000, In: 35 A, gG, Un AC: 500 V, Un DC: 250 V, Front indicator, live grip lugs

| Model | |
|---|-------------------------------------|
| product brand name | SENTRON |
| product designation | LV HRC fuse link |
| design of the product | With blade contacts |
| design of an identification indicator | Front indicators |
| design of the switching contact | Non-corroding, silver-plated |
| design of the fuse link | LV HRC fuse link |
| General technical data | |
| size of fuse system according to EN 60269-1 | NH000 |
| operating class of the fuse link | gG |
| mounting type | non-insulated grip lugs |
| type of voltage of the operating voltage | AC/DC |
| supply voltage | |
| • at AC rated value | 500 V |
| • at DC | 250 V |
| Protection class | |
| protection class IP | IP20, with connected conductors |
| Switching capacity | |
| switching capacity current | |
| • at DC according to IEC 60947-2 rated value | 25 kA |
| • according to IEC 60947-2 rated value | 120 kA |
| Dissipation | |
| power loss [W] | 3.39 W |
| power loss [W] for rated value of the current at AC in hot operating state per pole | 3.39 W |
| Mechanical Design | |
| width of the enclosure | 21 mm |
| mounting position | Any, preferably vertical |
| net weight | 129 g |
| Environmental conditions | |
| ambient temperature during operation | |
| • minimum | -5 °C |
| • maximum | 40 °C |
| environmental category | -20 to +50 at 95% relative humidity |
| environmental category during storage | 90% at 20°C |
| Certificates | |
| reference code according to IEC 81346-2 | FC |
| General Product Approval | Declaration of Conformity |



[Confirmation](#)



Test Certificates **Marine / Shipping** **other**

[Type Test Certificates/Test Report](#)

[Special Test Certificate](#)

[Miscellaneous](#)



[Confirmation](#)

[Miscellaneous](#)

other **Environment**

[Miscellaneous](#)

[Environmental Confirmations](#)

Further information

Siemens has decided to exit the Russian market (see here).

<https://press.siemens.com/global/en/pressrelease/siemens-wind-down-russian-business>

Siemens is working on the renewal of the current EAC certificates.

Please contact your local Siemens office on the status of validity of the EAC certification if you intend to import or offer to supply these products to an EAC relevant market (other than the sanctioned EAEU member states Russia or Belarus).

Information on the packaging

<https://support.industry.siemens.com/cs/ww/en/view/109813875>

Information- and Downloadcenter (Catalogs, Brochures,...)

<http://www.siemens.com/lowvoltage/catalogs>

Industry Mall (Online ordering system)

<https://mall.industry.siemens.com/mall/en/en/Catalog/product?mlfb=3NA3814>

Service&Support (Manuals, Certificates, Characteristics, FAQs,...)

<https://support.industry.siemens.com/cs/ww/en/ps/3NA3814>

Image database (product images, 2D dimension drawings, 3D models, device circuit diagrams, ...)

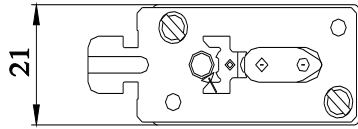
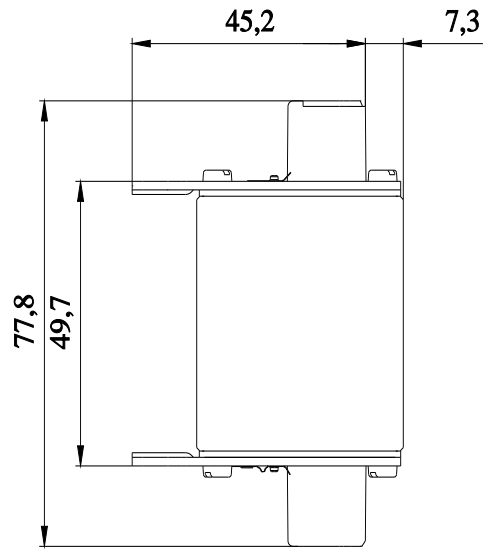
http://www.automation.siemens.com/bilddb/cax_en.aspx?mlfb=3NA3814

CAX-Online-Generator

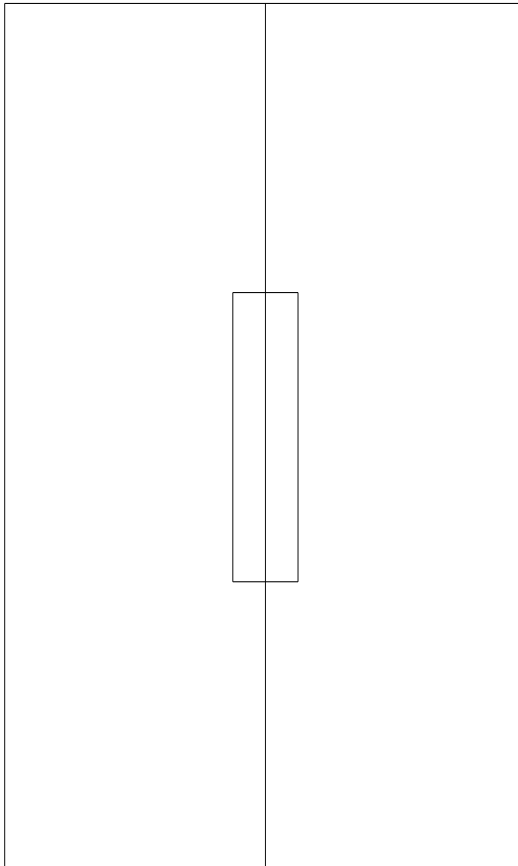
<http://www.siemens.com/cax>

Tender specifications

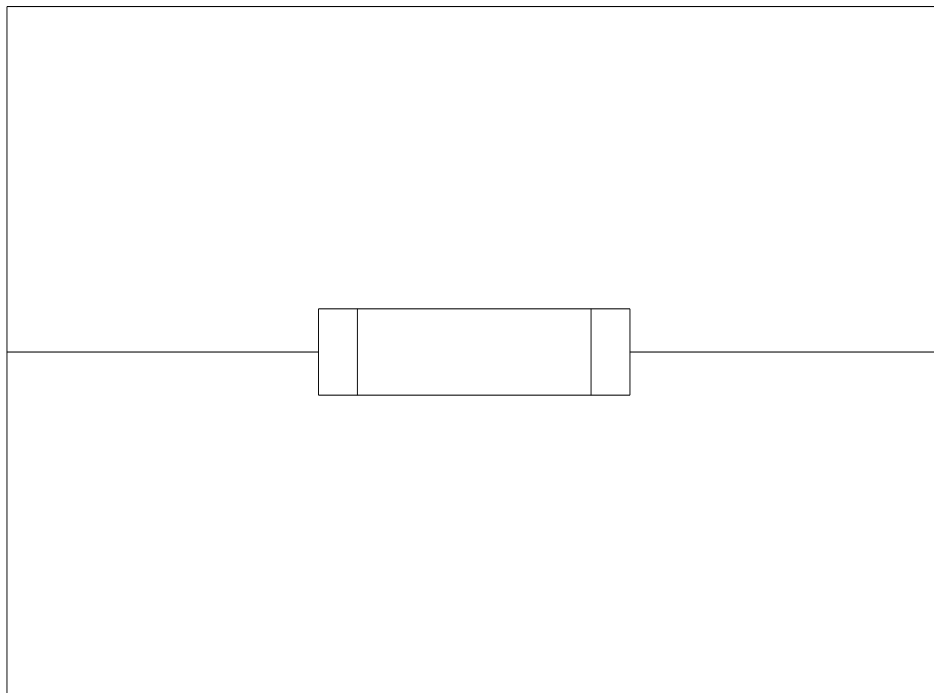
<http://www.siemens.com/specifications>



F



FU



last modified:

2/14/2023 

