



Figure similar

door-coupling rotary operating mechanism for circuit breaker size S3 handle gray !!! product phase-out !!! SIRIUS 3RV2 is successor preferred successor type is >>3RV2946-2B<< drilling pattern changes

**General technical data**

product brand name		SIRIUS
product designation		door-coupling rotary operating mechanism for heavy-duty operating conditions
size of the circuit-breaker		S3
design of the product		standard
suitability for use		circuit-breakers S3
ambient temperature		
• during storage	°C	-50 ... +80
• during operation	°C	-20 ... +70
operating frequency maximum	1/h	15
color of the actuating element		gray

**Installation/ mounting/ dimensions**

mounting position		any
fastening method		screw fixing
width	mm	75
height	mm	75
depth	mm	78
length	mm	300
diameter	mm	40
required spacing for grounded parts		
• forwards	mm	0
• backwards	mm	0
• upwards	mm	0
• at the side	mm	0
• downwards	mm	0

**Certificates/ approvals**

certificate of suitability	CE / UL / CSA		
General Product Approval	Declaration of Conformity	Marine / Shipping	

[Confirmation](#)



Marine / Shipping	other
-------------------	-------



[Confirmation](#)



## Further information

**Siemens has decided to exit the Russian market (see here).**

<https://press.siemens.com/global/en/pressrelease/siemens-wind-down-russian-business>

**Siemens is working on the renewal of the current EAC certificates.**

Please contact your local Siemens office on the status of validity of the EAC certification if you intend to import or offer to supply these products to an EAC relevant market (other than the sanctioned EAEU member states Russia or Belarus).

**Information on the packaging**

<https://support.industry.siemens.com/cs/ww/en/view/109813875>

**Information- and Downloadcenter (Catalogs, Brochures,...)**

<https://www.siemens.com/ic10>

**Industry Mall (Online ordering system)**

<https://mall.industry.siemens.com/mall/en/en/Catalog/product?mlfb=3RV1946-2B>

**Cax online generator**

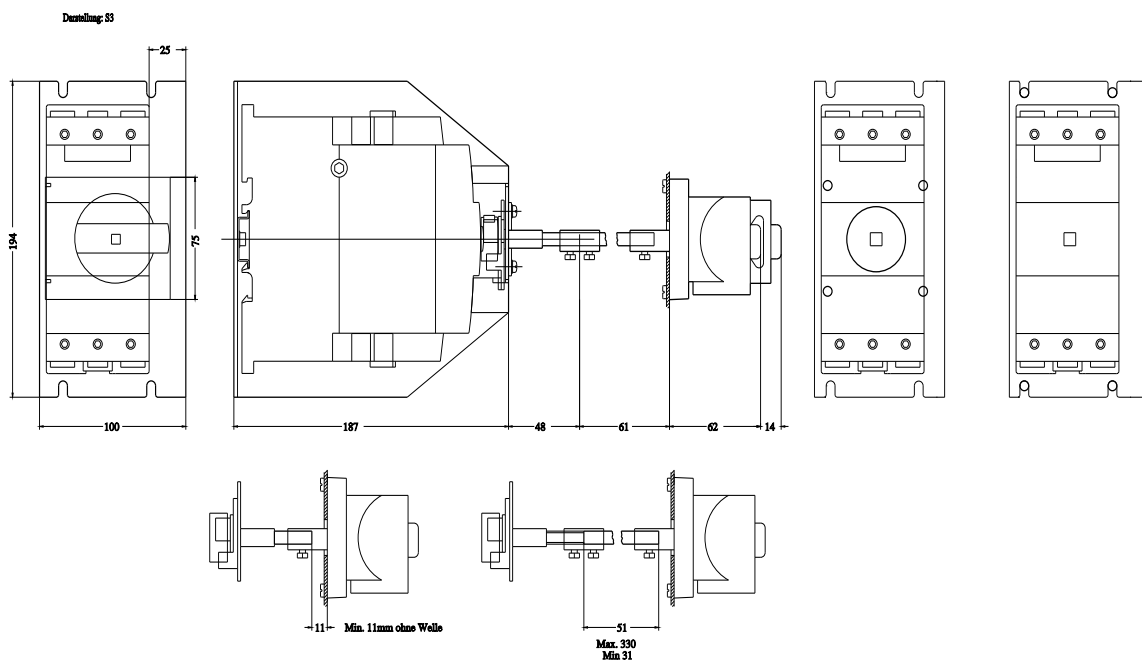
<http://support.automation.siemens.com/WW/CAXorder/default.aspx?lang=en&mlfb=3RV1946-2B>

**Service&Support (Manuals, Certificates, Characteristics, FAQs,...)**

<https://support.industry.siemens.com/cs/ww/en/ps/3RV1946-2B>

**Image database (product images, 2D dimension drawings, 3D models, device circuit diagrams, EPLAN macros, ...)**

[http://www.automation.siemens.com/bilddb/cax\\_de.aspx?mlfb=3RV1946-2B&lang=en](http://www.automation.siemens.com/bilddb/cax_de.aspx?mlfb=3RV1946-2B&lang=en)



last modified:

12/23/2020