



Plug-in relay complete unit 1 W, 24 V AC LED module red Standard plug-in socket screw terminal

| | |
|---|-----------------------------------|
| product brand name | SIRIUS |
| product designation | Coupling relay with plug-in relay |
| product type designation | LZS |
| General technical data | |
| display version LED | Yes |
| percental drop-out voltage related to the input voltage | 15 % |
| protection class IP | IP20 |
| operating frequency without load | 36 000 1/h |
| operating frequency with load | 360 1/h |
| switching behavior | monostable |
| design of the switching function | changeover switch |
| design of the switching function positively driven | No |
| mechanical service life (operating cycles) typical | 10 000 000 |
| electrical endurance (operating cycles) at AC-15 at 230 V typical | 70 000 |
| thermal current | 16 A |
| reference code according to IEC 81346-2 | K |
| Substance Prohibitance (Date) | 05/01/2012 |
| Control circuit/ Control | |
| control supply voltage at AC | |
| • at 50 Hz rated value | 24 V |
| • at 60 Hz rated value | 24 V |
| control supply voltage frequency | |
| • 1 rated value | 50 Hz |
| • 2 rated value | 60 Hz |
| supply voltage frequency for auxiliary and control circuit rated value | 50 ... 60 Hz |
| operating range factor control supply voltage rated value at AC at 50 Hz | |
| • initial value | 0.9 |
| • full-scale value | 1.1 |
| operating range factor control supply voltage rated value at AC at 60 Hz | |
| • initial value | 0.9 |
| • full-scale value | 1.1 |
| design of the relay operating mechanism | poled |
| product component plug-in socket | Yes |
| design of the snap-on socket base | Standard socket |
| Short-circuit protection | |
| design of the fuse link for short-circuit protection of the auxiliary switch required | fuse gG: 10 A |
| Auxiliary circuit | |

| | |
|--|--------------------|
| type of switching contact | Changeover contact |
| material of switching contacts | AgNi 90/10 |
| number of NC contacts for auxiliary contacts | 0 |
| number of NO contacts for auxiliary contacts | 0 |
| number of CO contacts for auxiliary contacts | 1 |

Main circuit

| | |
|-----------------|----|
| type of voltage | AC |
|-----------------|----|

Display

| | |
|--|---------|
| display version as status display by LED | LED red |
|--|---------|

Connections/ Terminals

| | |
|--|--|
| product function removable terminal | No |
| type of electrical connection | screw-type terminals |
| type of connectable conductor cross-sections | |
| <ul style="list-style-type: none"> solid | 1x (1,0 ... 2,5), 2x 1,0, 2x 1,5, 2x 2,5 |
| <ul style="list-style-type: none"> finely stranded with core end processing | 1x (1,0 ... 1,5), 2x 1,0, 2x 1,5 |
| <ul style="list-style-type: none"> at AWG cables solid | 1x (18 ... 14), 2x 18, 2x 16, 2x 14 |
| connectable conductor cross-section | |
| <ul style="list-style-type: none"> solid | 1 ... 2.5 mm ² |
| <ul style="list-style-type: none"> finely stranded with core end processing | 1 ... 1.5 mm ² |
| AWG number as coded connectable conductor cross section | |
| <ul style="list-style-type: none"> solid | 18 ... 14 |
| tightening torque with screw-type terminals | 0.5 ... 0.7 N·m |

Installation/ mounting/ dimensions

| | |
|-------------------|------------------|
| mounting position | any |
| fastening method | snap-on mounting |
| height | 78 mm |
| width | 15.5 mm |
| depth | 71 mm |

Ambient conditions

| | |
|--|----------------|
| ambient temperature | |
| <ul style="list-style-type: none"> during operation | -40 ... +70 °C |
| <ul style="list-style-type: none"> during storage | -20 ... +70 °C |
| <ul style="list-style-type: none"> during transport | -20 ... +70 °C |

Certificates/ approvals

| | | |
|--------------------------|---------------------------|-------|
| General Product Approval | Declaration of Conformity | other |
|--------------------------|---------------------------|-------|

[Confirmation](#)



[Confirmation](#)

Further information

Siemens has decided to exit the Russian market (see here).

<https://press.siemens.com/global/en/pressrelease/siemens-wind-down-russian-business>

Siemens is working on the renewal of the current EAC certificates.

Please contact your local Siemens office on the status of validity of the EAC certification if you intend to import or offer to supply these products to an EAC relevant market (other than the sanctioned EAEU member states Russia or Belarus).

Information on the packaging

<https://support.industry.siemens.com/cs/ww/en/view/109813875>

Information- and Downloadcenter (Catalogs, Brochures,...)

<https://www.siemens.com/ic10>

Industry Mall (Online ordering system)

<https://mall.industry.siemens.com/mall/en/en/Catalog/product?mlfb=LZS:RT3A4R24>

Cax online generator

<http://support.automation.siemens.com/WW/CAXorder/default.aspx?lang=en&mlfb=LZS:RT3A4R24>

Service&Support (Manuals, Certificates, Characteristics, FAQs,...)

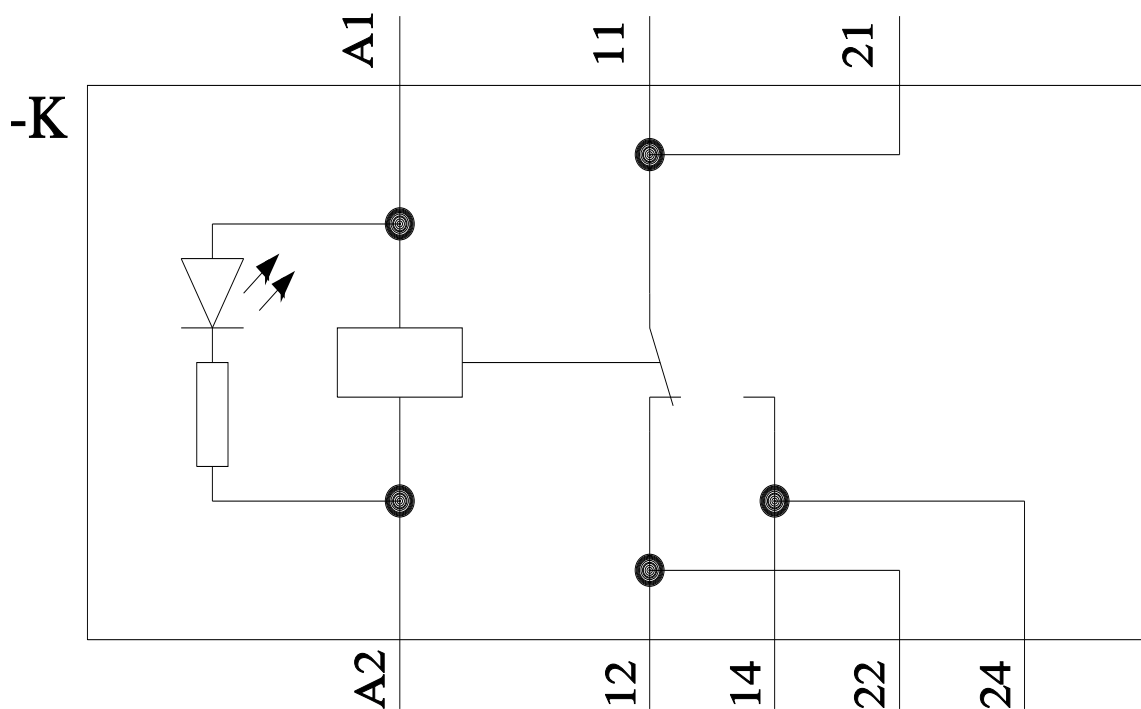
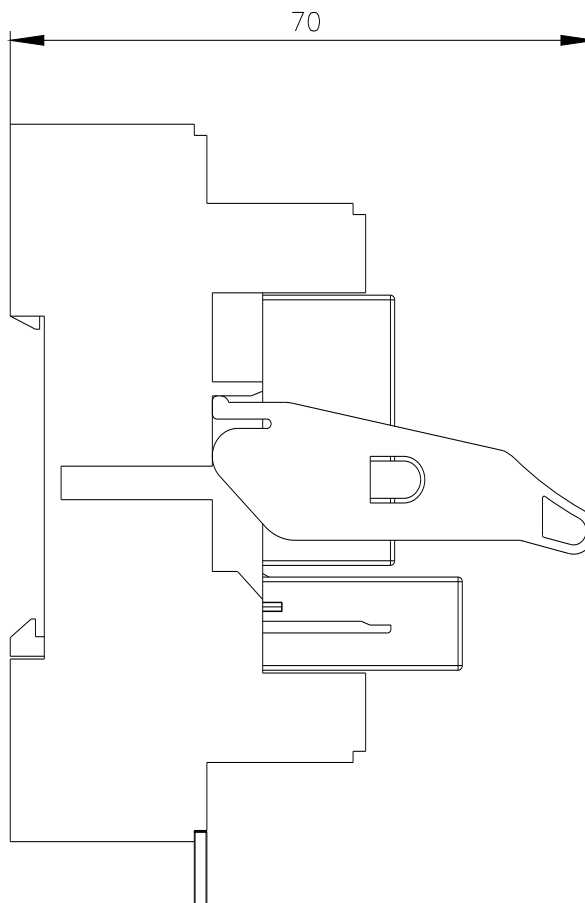
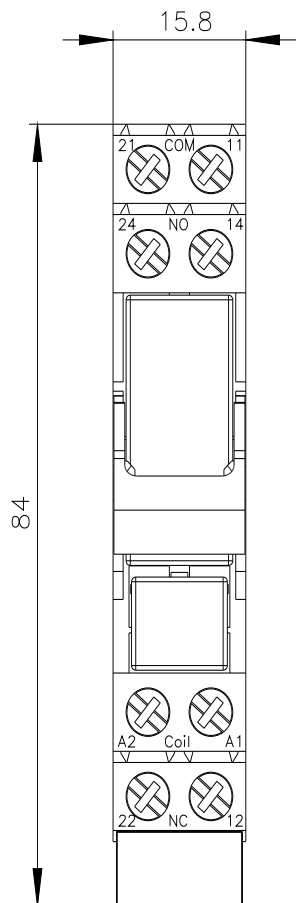
<https://support.industry.siemens.com/cs/ww/en/ps/LZS:RT3A4R24>

Image database (product images, 2D dimension drawings, 3D models, device circuit diagrams, EPLAN macros, ...)

http://www.automation.siemens.com/bilddb/cax_de.aspx?mlfb=LZS:RT3A4R24&lang=en

Characteristic: Derating

<https://support.industry.siemens.com/cs/ww/en/ps/LZS:RT3A4R24/manual>



last modified:

10/13/2021

