



Residual current operated circuit breaker, 2-pole, Type AC, In: 40 A, 30 mA, Un AC: 230 V

Model	
product brand name	SENTRON
product designation	RCCB
design of the product	Instantaneous
General technical data	
number of poles	2
size of installation devices according to DIN 43880	1
mechanical service life (operating cycles) typical	10 000
short-circuit current of series fuse maximum permissible	63 A
short-circuit current rating	10 kA
switching function short-term delayed	No
overvoltage category	III
Supply voltage	
supply voltage for testing equipment minimum	195 V
value range of the supply voltage frequency	50 Hz
value range of the operating frequency	50 Hz
value range of the supply voltage at AC	230 V
Protection class	
protection class IP	IP20, if the distribution board is installed, with connected conductors
Switching capacity	
switching capacity current	0.5 kA
• according to IEC 61008-1 rated value	
Dissipation	
power loss [W]	2.6 W
• for rated value of the current at AC in hot operating state per pole	
• maximum	
5.2 W	
Product details	
product feature silicon-free	Yes
product extension installable supplementary devices	Yes
Connections	
connectable conductor cross-section solid	0.75 mm ²
• minimum	
• maximum	35 mm ²
connectable conductor cross-section stranded	0.75 mm ²
• minimum	
• maximum	35 mm ²
tightening torque with screw-type terminals	2.5 N·m
• minimum	
• maximum	3 N·m

position of power supply cord	top or bottom
-------------------------------	---------------

Mechanical Design

height	90 mm
width	36 mm
depth	70 mm
installation depth	70 mm
number of modular width units	2
fastening method	DIN rail (REG)
mounting position	any
grid spacing	60 mm
net weight	222 g

Environmental conditions

ambient temperature during operation	
• minimum	-25 °C
• maximum	45 °C
ambient temperature during storage minimum	-40 °C
number of test cycles for environmental testing according to IEC 60068-2-30	28

General Product Approval



[Confirmation](#)



[Miscellaneous](#)



EMC	Declaration of Conformity	Test Certificates	other
-----	---------------------------	-------------------	-------



[Miscellaneous](#)

[Confirmation](#)

[Miscellaneous](#)

Railway	Dangerous Good	Environment
---------	----------------	-------------

[Confirmation](#)

[Vibration and Shock](#)

[Transport Information](#)

[Environmental Confirmations](#)

Further information

Siemens has decided to exit the Russian market (see here).

<https://press.siemens.com/global/en/pressrelease/siemens-wind-down-russian-business>

Siemens is working on the renewal of the current EAC certificates.

Please contact your local Siemens office on the status of validity of the EAC certification if you intend to import or offer to supply these products to an EAC relevant market (other than the sanctioned EAEU member states Russia or Belarus).

Information on the packaging

<https://support.industry.siemens.com/cs/ww/en/view/109813875>

Information- and Downloadcenter (Catalogs, Brochures,...)

<http://www.siemens.com/lowvoltage/catalogs>

Industry Mall (Online ordering system)

<https://mall.industry.siemens.com/mall/en/en/Catalog/product?mlfb=5SV4314-0>

Service&Support (Manuals, Certificates, Characteristics, FAQs,...)

<https://support.industry.siemens.com/cs/ww/en/ps/5SV4314-0>

Image database (product images, 2D dimension drawings, 3D models, device circuit diagrams, ...)

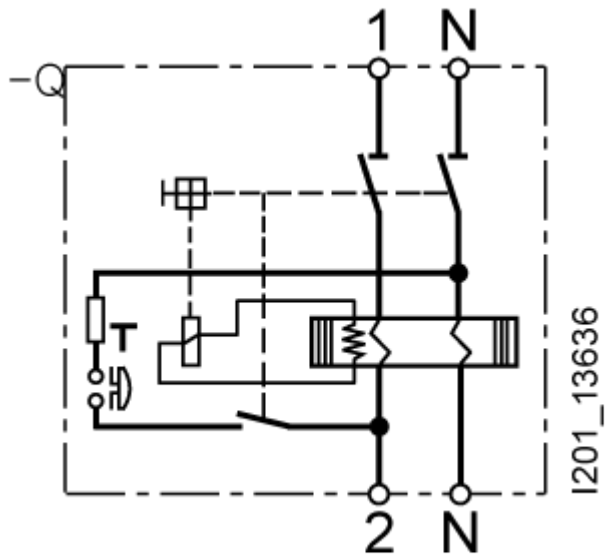
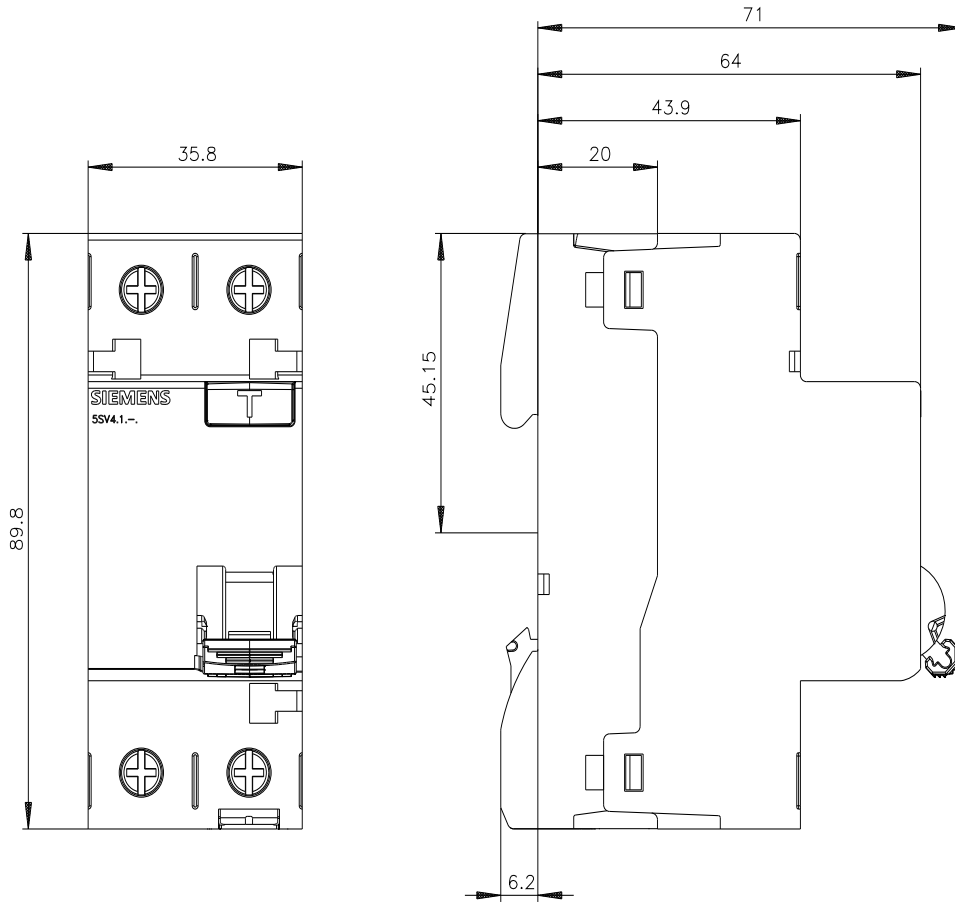
http://www.automation.siemens.com/bilddb/cax_en.aspx?mlfb=5SV4314-0

CAX-Online-Generator

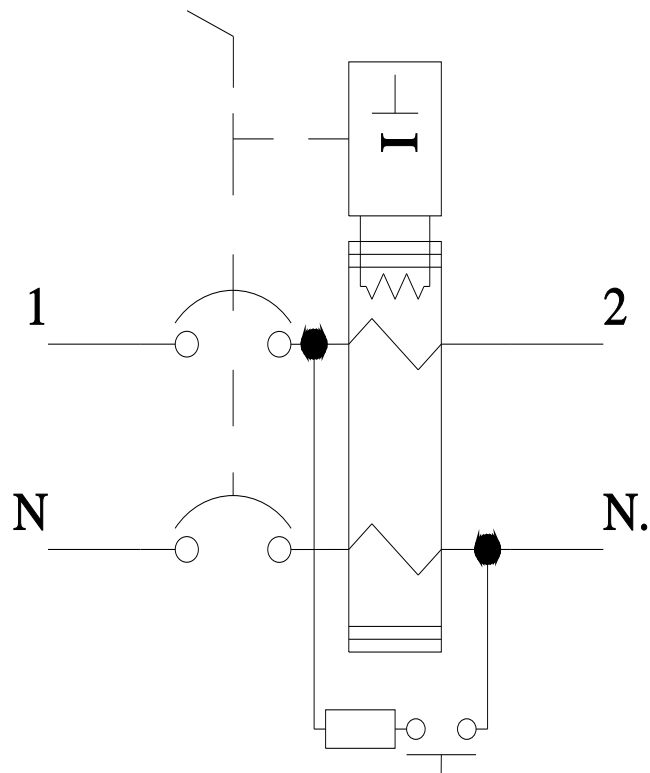
<http://www.siemens.com/cax>

Tender specifications

<http://www.siemens.com/specifications>



-CB



last modified:

3/21/2023 

