



Plug-in relay complete unit 2 W, 24 V DC LED module red Socket with logic isolation Spring-type terminal (push-in)

product brand name	SIRIUS
product designation	Coupling relay with plug-in relay
product type designation	LZS

### General technical data

display version LED	Yes
consumed active power	0.75 W
percental drop-out voltage related to the input voltage	10 %
protection class IP	IP20
operating frequency without load	36 000 1/h
operating frequency with load	360 1/h
switching behavior	monostable
design of the switching function	changeover switch
design of the switching function positively driven	No
mechanical service life (operating cycles) typical	30 000 000
electrical endurance (operating cycles) at AC-15 at 230 V typical	180 000
thermal current	12 A
reference code according to IEC 81346-2	K
Substance Prohibitance (Date)	05/01/2012

### Control circuit/ Control

control supply voltage at DC	24 V
<ul style="list-style-type: none"> <li>rated value</li> </ul>	
operating range factor control supply voltage rated value at DC	
<ul style="list-style-type: none"> <li>initial value</li> <li>full-scale value</li> </ul>	0.9 1.4
closing delay	
<ul style="list-style-type: none"> <li>at DC</li> </ul>	15 ms
opening delay	
<ul style="list-style-type: none"> <li>at DC</li> </ul>	18 ms
design of the relay operating mechanism	poled
product component plug-in socket	Yes
design of the snap-on socket base	Socket with logic isolation

### Short-circuit protection

design of the fuse link for short-circuit protection of the auxiliary switch required	fuse gG: 6 A
---	--------------

### Auxiliary circuit

type of switching contact	Changeover contact
material of switching contacts	AgNi 90/10
number of NC contacts for auxiliary contacts	0
number of NO contacts for auxiliary contacts	0
number of CO contacts for auxiliary contacts	2

<b>operational current of auxiliary contacts at AC-15</b>	
• at 250 V	4 A
<b>operational current at DC-13 at 24 V rated value</b>	4 A
<b>operational current of auxiliary contacts at DC-13</b>	
• at 24 V	4 A

### Main circuit

<b>type of voltage</b>	DC
<b>ampacity of the output relay at DC-13</b>	
• at 24 V	4 A

### Display

display version as status display by LED	LED red
--	---------

### Connections/ Terminals

<b>product function removable terminal</b>	No
<b>type of electrical connection</b>	spring-loaded terminals
<b>type of connectable conductor cross-sections</b>	
• solid	1x (0,75 ... 1,5), 2x (0,75 ... 1,0), 2x 1,5
• finely stranded with core end processing	1x (0,75 ... 1,5), 2x 0,75
• finely stranded without core end processing	1x (0,75 ... 1,5), 2x (0,75 ... 1,0), 2x 1,5
• at AWG cables solid	1x (18 ... 16), 2x (18 ... 16)
• at AWG cables stranded	1x (18 ... 16), 2x (18 ... 16)
<b>connectable conductor cross-section</b>	
• solid	0.75 ... 1.5 mm <sup>2</sup>
• finely stranded with core end processing	0.75 ... 1.5 mm <sup>2</sup>
• finely stranded without core end processing	0.75 ... 1.5 mm <sup>2</sup>
<b>AWG number as coded connectable conductor cross section</b>	
• solid	18 ... 16
• stranded	18 ... 16

### Installation/ mounting/ dimensions

<b>mounting position</b>	any
<b>fastening method</b>	snap-on mounting
<b>height</b>	98 mm
<b>width</b>	28 mm
<b>depth</b>	79 mm

### Ambient conditions

<b>ambient temperature</b>	
• during operation	-40 ... +70 °C
• during storage	-25 ... +70 °C
• during transport	-25 ... +70 °C

### Certificates/ approvals

<b>General Product Approval</b>	<b>Declaration of Conformity</b>	<b>other</b>
---------------------------------	----------------------------------	--------------

[Confirmation](#)



[Confirmation](#)

### Further information

Siemens has decided to exit the Russian market (see here).

<https://press.siemens.com/global/en/pressrelease/siemens-wind-down-russian-business>

Siemens is working on the renewal of the current EAC certificates.

Please contact your local Siemens office on the status of validity of the EAC certification if you intend to import or offer to supply these products to an EAC relevant market (other than the sanctioned EAEU member states Russia or Belarus).

Information on the packaging

<https://support.industry.siemens.com/cs/ww/en/view/109813875>

Information- and Downloadcenter (Catalogs, Brochures,...)

<https://www.siemens.com/ic10>

Industry Mall (Online ordering system)

<https://mall.industry.siemens.com/mall/en/en/Catalog/product?mlfb=LZS:PT2D5L24>

Cax online generator

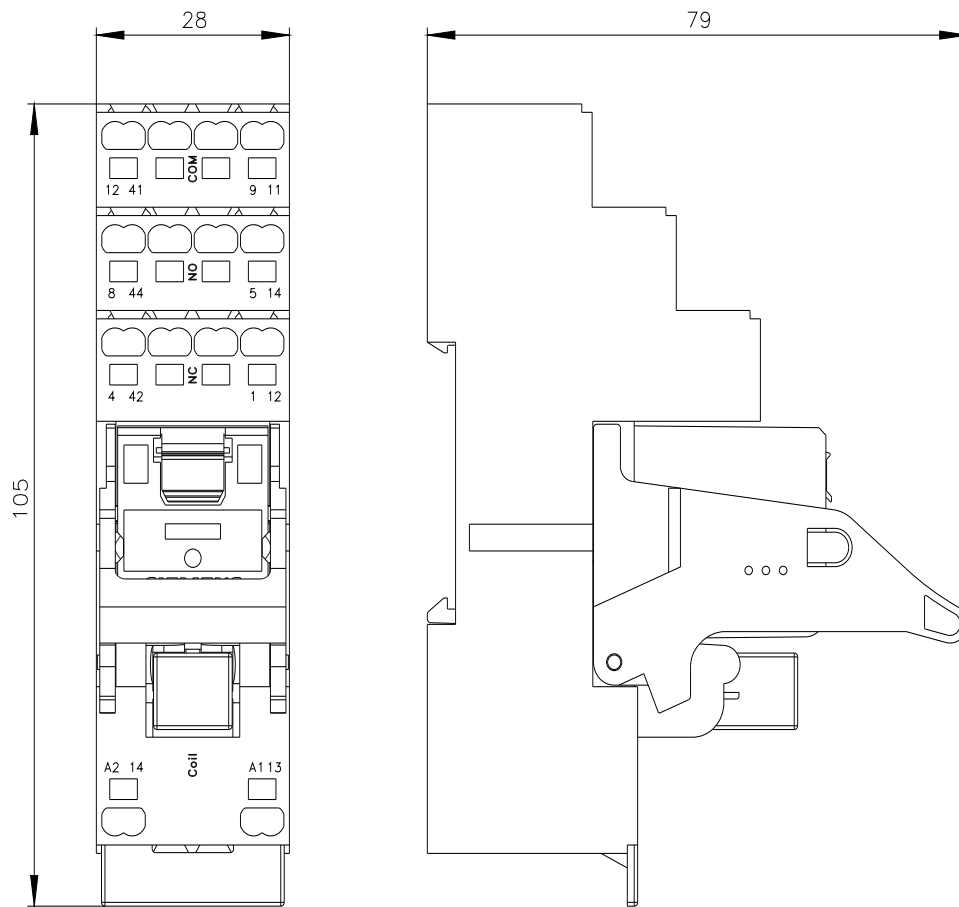
<http://support.automation.siemens.com/WW/CAXorder/default.aspx?lang=en&mlfb=LZS:PT2D5L24>

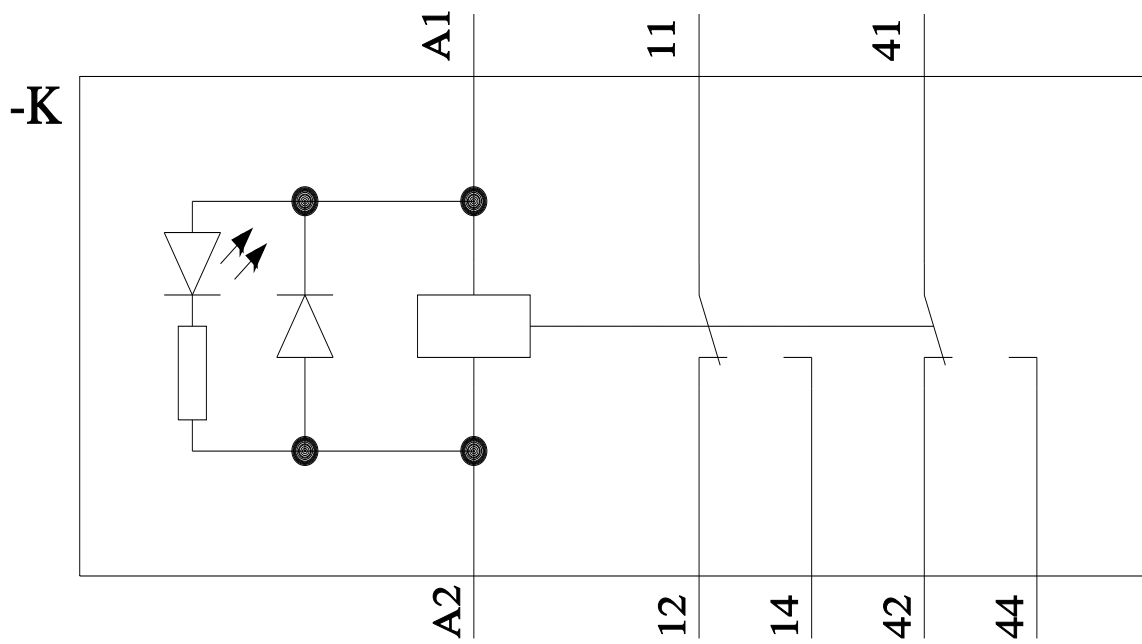
Service&Support (Manuals, Certificates, Characteristics, FAQs,...)

<https://support.industry.siemens.com/cs/ww/en/ps/LZS:PT2D5L24>

**Characteristic: Derating**

<https://support.industry.siemens.com/cs/ww/en/ps/LZS:PT2D5L24/manual>





last modified:

10/13/2021 