



Molded-plastic enclosure for surface mounting Degree of protection IP55 with N and PE terminal 72 mm with metric cable gland No UL/CSA approval

General technical data

product designation		ISO surface-mounted housing
design of the product		Assembly
material of the enclosure		plastic
protection class IP of the enclosure		IP55
product component transparent cover		No

Installation/ mounting/ dimensions

width	mm	105
height	mm	155
depth	mm	89

Certificates/ approvals

General Product Approval	Declaration of Conformity	Test Certificates
--------------------------	---------------------------	-------------------

[Confirmation](#)



[Type Test Certificates/Test Report](#)

[Special Test Certificate](#)

Marine / Shipping



[Miscellaneous](#)

[Confirmation](#)

other

Railway



[Special Test Certificate](#)

Further information

Siemens has decided to exit the Russian market (see here).
<https://press.siemens.com/global/en/pressrelease/siemens-wind-down-russian-business>

Siemens is working on the renewal of the current EAC certificates.

Please contact your local Siemens office on the status of validity of the EAC certification if you intend to import or offer to supply these products to an EAC relevant market (other than the sanctioned EAEU member states Russia or Belarus).

Information on the packaging

<https://support.industry.siemens.com/cs/ww/en/view/109813875>

Information- and Downloadcenter (Catalogs, Brochures,...)

<https://www.siemens.com/ic10>

Industry Mall (Online ordering system)

<https://mall.industry.siemens.com/mall/en/en/Catalog/product?mlfb=3RV1913-1DA00>

Cax online generator

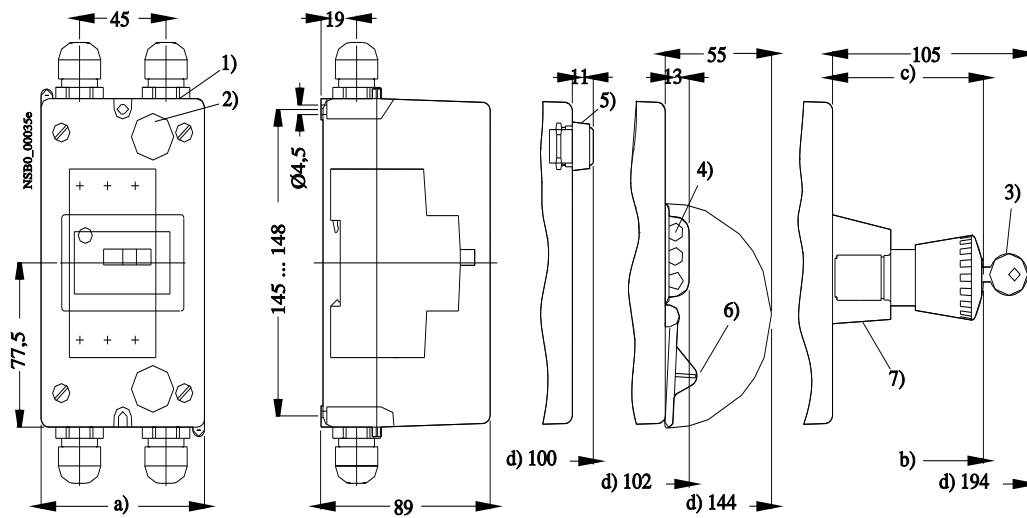
<http://support.automation.siemens.com/WW/CAXorder/default.aspx?lang=en&mlfb=3RV1913-1DA00>

Service&Support (Manuals, Certificates, Characteristics, FAQs,...)

<https://support.industry.siemens.com/cs/ww/en/ps/3RV1913-1DA00>

Image database (product images, 2D dimension drawings, 3D models, device circuit diagrams, EPLAN macros, ...)

http://www.automation.siemens.com/bilddb/cax_de.aspx?mlfb=3RV1913-1DA00&lang=en



- 1) Knock-outs for M25 cable glands.
- 2) Knock-outs for rear cable entry M20.
- 3) With safety lock.
- 4) Max. shackle diameter for padlock 8 mm.
- 5) 3RV19 03-5 indicator light.
- 6) 3RV19 13-6B locking device.
- 7) 3RV19 13-7 EMERGENCY-STOP mushroom button.

- a) 3RV19 13-1CA00: 85 mm,
3RV19 13-1DA00: 105 mm.
- b) With EMERGENCY-STOP mushroom button:
- 3RV19 13-7D: 153 mm,
- 3RV19 13-7E: 173 mm.
Dimensions refer to mounting surface.
- b) With EMERGENCY-STOP mushroom button:
- 3RV19 13-7D: 64 mm,
- 3RV19 13-7E: 84 mm.
- d) Dimensions refer to mounting surface.

last modified:

12/23/2020