



Figure similar

RC element 48...127 V AC, 70...150 V DC Surge suppressor
 For mounting onto contactors Size S00 !!! Phased-out
 product !!! Successor is SIRIUS 3RT2 Preferred successor
 type is >>3RT2916-1CC00<<

General technical data

product brand name		SIRIUS
product designation		surge suppressor
size of contactor		S00
design of the surge suppressor		RC element
ambient temperature		
• during storage	°C	-40 ... +80
• during operation	°C	-25 ... +60

Control circuit/ Control

type of voltage of the control supply voltage		AC/DC
control supply voltage frequency		
• 1 rated value	Hz	50
• 2 rated value	Hz	60
control supply voltage 1		
• at DC	V	70 ... 150
• at AC		
— at 50 Hz	V	48 ... 127
— at 60 Hz	V	48 ... 127

Certificates/ approvals

certificate of suitability	CE / UL / CSA		
General Product Approval	EMC	Declaration of Conformity	



[Confirmation](#)



Declaration of Conformity Test Certificates Marine / Shipping



EG-Konf.

[Special Test Certificate](#)



ABS



PRS



RINA



DNV-GL

other Railway

Further information

Siemens has decided to exit the Russian market (see here).

<https://press.siemens.com/global/en/pressrelease/siemens-wind-down-russian-business>

Siemens is working on the renewal of the current EAC certificates.

Please contact your local Siemens office on the status of validity of the EAC certification if you intend to import or offer to supply these products to an EAC relevant market (other than the sanctioned EAEU member states Russia or Belarus).

Information on the packaging

<https://support.industry.siemens.com/cs/ww/en/view/109813875>

Information- and Downloadcenter (Catalogs, Brochures,...)

<https://www.siemens.com/ic10>

Industry Mall (Online ordering system)

<https://mall.industry.siemens.com/mall/en/en/Catalog/product?mlfb=3RT1916-1CC00>

Cax online generator

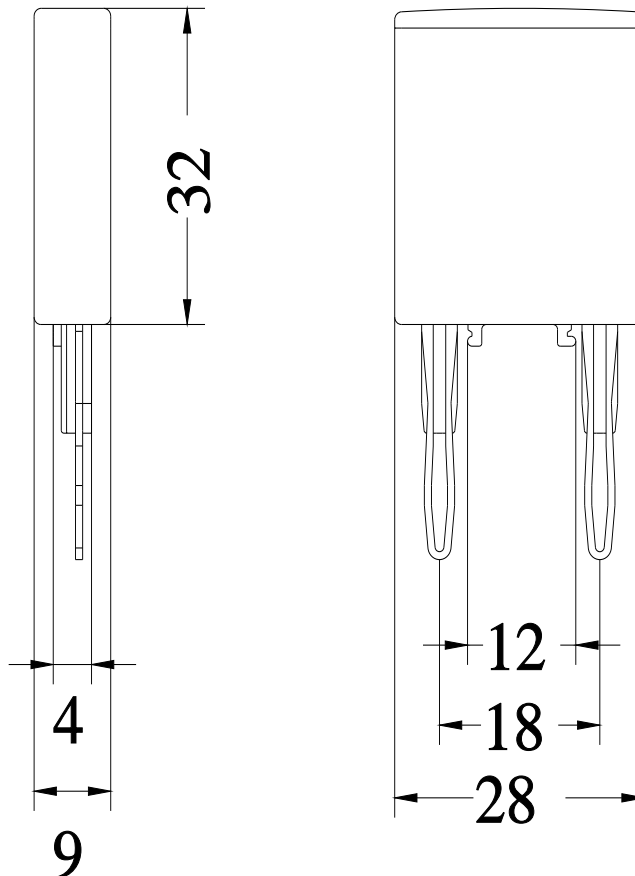
<http://support.automation.siemens.com/WW/CAXorder/default.aspx?lang=en&mlfb=3RT1916-1CC00>

Service&Support (Manuals, Certificates, Characteristics, FAQs,...)

<https://support.industry.siemens.com/cs/ww/en/ps/3RT1916-1CC00>

Image database (product images, 2D dimension drawings, 3D models, device circuit diagrams, EPLAN macros, ...)

http://www.automation.siemens.com/bilddb/cax_de.aspx?mlfb=3RT1916-1CC00&lang=en



last modified:

10/22/2022