



LV HRC fuse element, NH000, In: 16 A, gG, Un AC: 500 V, Un DC: 250 V, Front indicator, live grip lugs

Model		
product brand name	SENTRON	
product designation	LV HRC fuse link	
design of the product	With blade contacts	
design of an identification indicator	Front indicators	
design of the switching contact	Non-corroding, silver-plated	
design of the fuse link	LV HRC fuse link	
General technical data		
size of fuse system according to EN 60269-1	NH000	
operating class of the fuse link	gG	
mounting type	non-insulated grip lugs	
type of voltage of the operating voltage	AC/DC	
supply voltage		
• at AC rated value	500 V	
• at DC	250 V	
Protection class		
protection class IP	IP20, with connected conductors	
Switching capacity		
switching capacity current		
• at DC according to IEC 60947-2 rated value	25 kA	
• according to IEC 60947-2 rated value	120 kA	
Dissipation		
power loss [W]	1.7 W	
power loss [W] for rated value of the current at AC in hot operating state per pole	1.7 W	
Mechanical Design		
width of the enclosure	21 mm	
mounting position	Any, preferably vertical	
net weight	131 g	
Environmental conditions		
ambient temperature during operation		
• minimum	-5 °C	
• maximum	40 °C	
environmental category	-20 to +50 at 95% relative humidity	
environmental category during storage	90% at 20°C	
Certificates		
reference code according to IEC 81346-2	FC	
<b>General Product Approval</b>	<b>Declaration of Conformity</b>	<b>Test Certificates</b>

[Confirmation](#)



[Miscellaneous](#)

Test Certificates

Marine / Shipping

other

[Type Test Certificates/Test Report](#)

[Special Test Certificate](#)



[Confirmation](#)

[Miscellaneous](#)

[Miscellaneous](#)

Environment

[Environmental Confirmations](#)

Further information

**Siemens has decided to exit the Russian market (see here).**

<https://press.siemens.com/global/en/pressrelease/siemens-wind-down-russian-business>

**Siemens is working on the renewal of the current EAC certificates.**

Please contact your local Siemens office on the status of validity of the EAC certification if you intend to import or offer to supply these products to an EAC relevant market (other than the sanctioned EAEU member states Russia or Belarus).

**Information on the packaging**

<https://support.industry.siemens.com/cs/ww/en/view/109813875>

**Information- and Downloadcenter (Catalogs, Brochures,...)**

<http://www.siemens.com/lowvoltage/catalogs>

**Industry Mall (Online ordering system)**

<https://mall.industry.siemens.com/mall/en/en/Catalog/product?mlfb=3NA3805>

**Service&Support (Manuals, Certificates, Characteristics, FAQs,...)**

<https://support.industry.siemens.com/cs/ww/en/ps/3NA3805>

**Image database (product images, 2D dimension drawings, 3D models, device circuit diagrams, ...)**

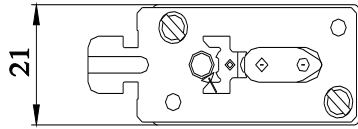
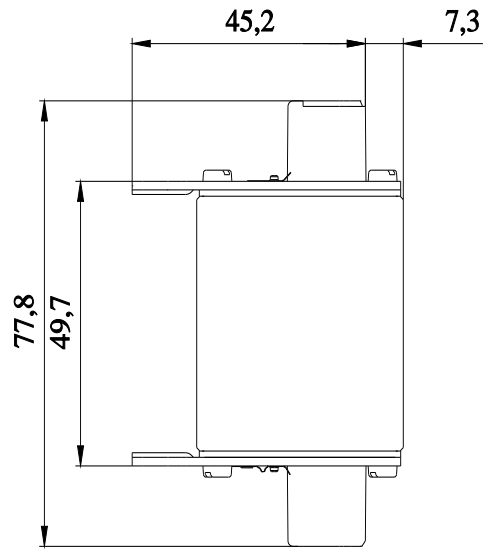
[http://www.automation.siemens.com/bilddb/cax\\_en.aspx?mlfb=3NA3805](http://www.automation.siemens.com/bilddb/cax_en.aspx?mlfb=3NA3805)

**CAX-Online-Generator**

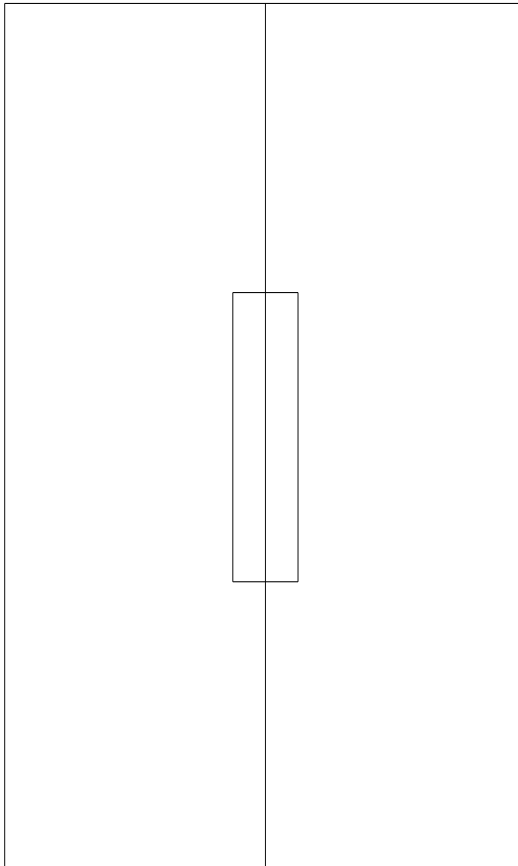
<http://www.siemens.com/cax>

**Tender specifications**

<http://www.siemens.com/specifications>



**F**



# FU



last modified:

2/14/2023 

