



Plug-in relay complete unit 1 W, 24 V AC LED module red Socket with logic isolation Spring-type terminal (push-in)

product brand name	SIRIUS
product designation	Coupling relay with plug-in relay
product type designation	LZS
General technical data	
display version LED	Yes
percental drop-out voltage related to the input voltage	15 %
protection class IP	IP20
operating frequency without load	36 000 1/h
operating frequency with load	360 1/h
switching behavior	monostable
design of the switching function	changeover switch
design of the switching function positively driven	No
mechanical service life (operating cycles) typical	10 000 000
electrical endurance (operating cycles) at AC-15 at 230 V typical	70 000
thermal current	16 A
reference code according to IEC 81346-2	K
Substance Prohibitance (Date)	05/01/2012
Control circuit/ Control	
control supply voltage at AC	
• at 50 Hz rated value	24 V
• at 60 Hz rated value	24 V
control supply voltage frequency	
• 1 rated value	50 Hz
• 2 rated value	60 Hz
supply voltage frequency for auxiliary and control circuit rated value	50 ... 60 Hz
operating range factor control supply voltage rated value at AC at 50 Hz	
• initial value	0.9
• full-scale value	1.1
operating range factor control supply voltage rated value at AC at 60 Hz	
• initial value	0.9
• full-scale value	1.1
design of the relay operating mechanism	poled
product component plug-in socket	Yes
design of the snap-on socket base	Socket with logic isolation
Short-circuit protection	
design of the fuse link for short-circuit protection of the auxiliary switch required	fuse gG: 10 A
Auxiliary circuit	

type of switching contact	Changeover contact	
material of switching contacts	AgNi 90/10	
number of NC contacts for auxiliary contacts	0	
number of NO contacts for auxiliary contacts	0	
number of CO contacts for auxiliary contacts	1	
Main circuit		
type of voltage	AC	
Display		
display version as status display by LED	LED red	
Connections/ Terminals		
product function removable terminal	No	
type of electrical connection	spring-loaded terminals	
type of connectable conductor cross-sections		
• solid	1x (0,75 ... 1,5), 2x (0,75 ... 1,0), 2x 1,5	
• finely stranded with core end processing	1x (0,75 ... 1,5), 2x 0,75	
• finely stranded without core end processing	1x (0,75 ... 1,5), 2x (0,75 ... 1,0), 2x 1,5	
• at AWG cables solid	1x (18 ... 16), 2x (18 ... 16)	
• at AWG cables stranded	1x (18 ... 16), 2x (18 ... 16)	
connectable conductor cross-section		
• solid	0.75 ... 1.5 mm ²	
• finely stranded with core end processing	0.75 ... 1.5 mm ²	
• finely stranded without core end processing	0.75 ... 1.5 mm ²	
AWG number as coded connectable conductor cross section		
• solid	18 ... 16	
• stranded	18 ... 16	
Installation/ mounting/ dimensions		
mounting position	any	
fastening method	snap-on mounting	
height	98 mm	
width	15.5 mm	
depth	71 mm	
required spacing		
• with side-by-side mounting		
— forwards	0 mm	
— backwards	0 mm	
— upwards	0 mm	
— downwards	0 mm	
— at the side	0 mm	
• for grounded parts		
— forwards	0 mm	
— backwards	0 mm	
— upwards	0 mm	
— at the side	0 mm	
— downwards	0 mm	
• for live parts		
— forwards	0 mm	
— backwards	0 mm	
— upwards	0 mm	
— downwards	0 mm	
— at the side	0 mm	
Ambient conditions		
ambient temperature		
• during operation	-40 ... +70 °C	
• during storage	-20 ... +70 °C	
• during transport	-20 ... +70 °C	
Certificates/ approvals		
General Product Approval	Declaration of Conformity	other



Further information

Siemens has decided to exit the Russian market (see here).

<https://press.siemens.com/global/en/pressrelease/siemens-wind-down-russian-business>

Siemens is working on the renewal of the current EAC certificates.

Please contact your local Siemens office on the status of validity of the EAC certification if you intend to import or offer to supply these products to an EAC relevant market (other than the sanctioned EAEU member states Russia or Belarus).

Information on the packaging

<https://support.industry.siemens.com/cs/ww/en/view/109813875>

Information- and Downloadcenter (Catalogs, Brochures,...)

<https://www.siemens.com/ic10>

Industry Mall (Online ordering system)

<https://mall.industry.siemens.com/mall/en/en/Catalog/product?mlfb=LZS:RT3D4R24>

Cax online generator

<http://support.automation.siemens.com/WW/CAXorder/default.aspx?lang=en&mlfb=LZS:RT3D4R24>

Service&Support (Manuals, Certificates, Characteristics, FAQs,...)

<https://support.industry.siemens.com/cs/ww/en/ps/LZS:RT3D4R24>

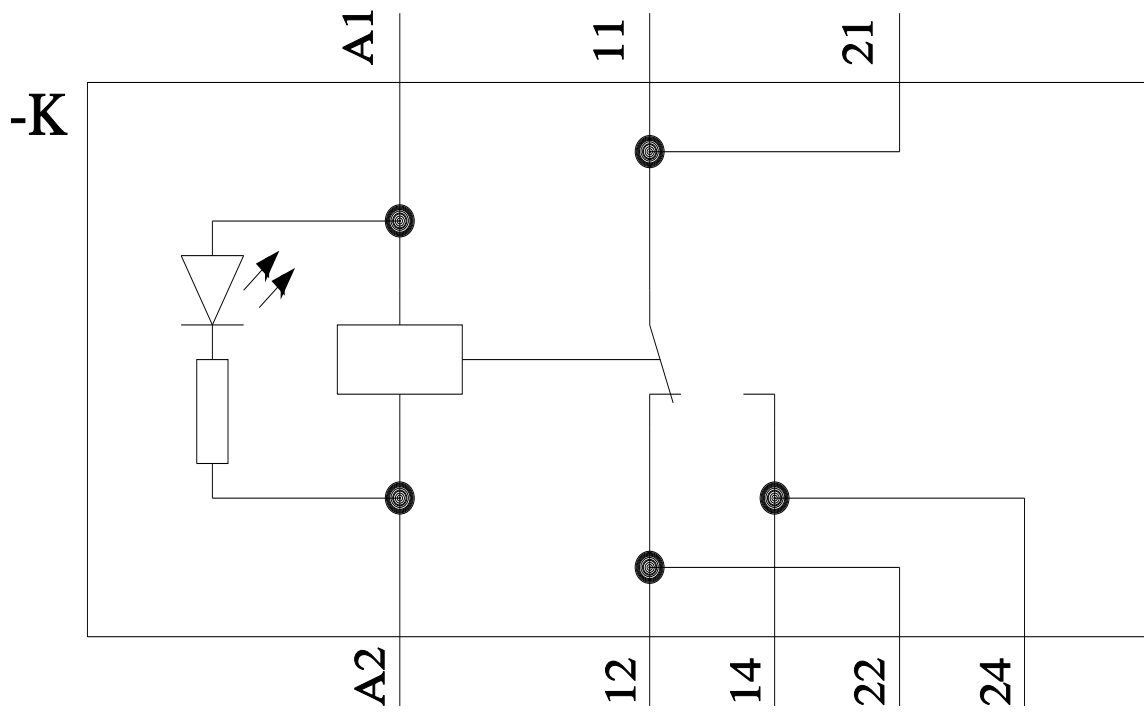
Image database (product images, 2D dimension drawings, 3D models, device circuit diagrams, EPLAN macros, ...)

http://www.automation.siemens.com/bilddb/cax_de.aspx?mlfb=LZS:RT3D4R24&lang=en

Characteristic: Derating

<https://support.industry.siemens.com/cs/ww/en/ps/LZS:RT3D4R24/manual>





last modified:

10/13/2021 