



Plug-in relay complete unit 1 W, 115 V AC LED module red Socket with logic isolation Spring-type terminal (push-in)

product brand name	SIRIUS
product designation	Coupling relay with plug-in relay
product type designation	LZS
<b>General technical data</b>	
display version LED	Yes
percental drop-out voltage related to the input voltage	15 %
protection class IP	IP20
operating frequency without load	36 000 1/h
operating frequency with load	360 1/h
switching behavior	monostable
design of the switching function	changeover switch
design of the switching function positively driven	No
mechanical service life (operating cycles) typical	10 000 000
electrical endurance (operating cycles) at AC-15 at 230 V typical	70 000
thermal current	16 A
reference code according to IEC 81346-2	K
Substance Prohibitance (Date)	05/01/2012
<b>Control circuit/ Control</b>	
control supply voltage at AC	
• at 50 Hz rated value	115 V
• at 60 Hz rated value	115 V
control supply voltage frequency	
• 1 rated value	50 Hz
• 2 rated value	60 Hz
supply voltage frequency for auxiliary and control circuit rated value	50 ... 60 Hz
operating range factor control supply voltage rated value at AC at 50 Hz	
• initial value	0.9
• full-scale value	1.1
operating range factor control supply voltage rated value at AC at 60 Hz	
• initial value	0.9
• full-scale value	1.1
design of the relay operating mechanism	poled
product component plug-in socket	Yes
design of the snap-on socket base	Socket with logic isolation
<b>Short-circuit protection</b>	
design of the fuse link for short-circuit protection of the auxiliary switch required	fuse gG: 10 A
<b>Auxiliary circuit</b>	

<b>type of switching contact</b>	Changeover contact	
<b>material of switching contacts</b>	AgNi 90/10	
<b>number of NC contacts for auxiliary contacts</b>	0	
<b>number of NO contacts for auxiliary contacts</b>	0	
<b>number of CO contacts for auxiliary contacts</b>	1	
<b>Main circuit</b>		
<b>type of voltage</b>	AC	
<b>Display</b>		
display version as status display by LED	LED red	
<b>Connections/ Terminals</b>		
<b>product function removable terminal</b>	No	
<b>type of electrical connection</b>	spring-loaded terminals	
<b>type of connectable conductor cross-sections</b>		
• solid	1x (0,75 ... 1,5), 2x (0,75 ... 1,0), 2x 1,5	
• finely stranded with core end processing	1x (0,75 ... 1,5), 2x 0,75	
• finely stranded without core end processing	1x (0,75 ... 1,5), 2x (0,75 ... 1,0), 2x 1,5	
• at AWG cables solid	1x (18 ... 16), 2x (18 ... 16)	
• at AWG cables stranded	1x (18 ... 16), 2x (18 ... 16)	
<b>connectable conductor cross-section</b>		
• solid	0.75 ... 1.5 mm <sup>2</sup>	
• finely stranded with core end processing	0.75 ... 1.5 mm <sup>2</sup>	
• finely stranded without core end processing	0.75 ... 1.5 mm <sup>2</sup>	
<b>AWG number as coded connectable conductor cross section</b>		
• solid	18 ... 16	
• stranded	18 ... 16	
<b>Installation/ mounting/ dimensions</b>		
<b>mounting position</b>	any	
<b>fastening method</b>	snap-on mounting	
<b>height</b>	98 mm	
<b>width</b>	15.5 mm	
<b>depth</b>	71 mm	
<b>required spacing</b>		
• with side-by-side mounting		
— forwards	0 mm	
— backwards	0 mm	
— upwards	0 mm	
— downwards	0 mm	
— at the side	0 mm	
• for grounded parts		
— forwards	0 mm	
— backwards	0 mm	
— upwards	0 mm	
— at the side	0 mm	
— downwards	0 mm	
• for live parts		
— forwards	0 mm	
— backwards	0 mm	
— upwards	0 mm	
— downwards	0 mm	
— at the side	0 mm	
<b>Ambient conditions</b>		
<b>ambient temperature</b>		
• during operation	-40 ... +70 °C	
• during storage	-20 ... +70 °C	
• during transport	-20 ... +70 °C	
<b>Certificates/ approvals</b>		
<b>General Product Approval</b>	<b>Declaration of Conformity</b>	<b>other</b>



### Further information

Siemens has decided to exit the Russian market (see here).

<https://press.siemens.com/global/en/pressrelease/siemens-wind-down-russian-business>

Siemens is working on the renewal of the current EAC certificates.

Please contact your local Siemens office on the status of validity of the EAC certification if you intend to import or offer to supply these products to an EAC relevant market (other than the sanctioned EAEU member states Russia or Belarus).

Information on the packaging

<https://support.industry.siemens.com/cs/ww/en/view/109813875>

Information- and Downloadcenter (Catalogs, Brochures,...)

<https://www.siemens.com/ic10>

Industry Mall (Online ordering system)

<https://mall.industry.siemens.com/mall/en/en/Catalog/product?mlfb=LZS:RT3D4S15>

Cax online generator

<http://support.automation.siemens.com/WW/CAXorder/default.aspx?lang=en&mlfb=LZS:RT3D4S15>

Service&Support (Manuals, Certificates, Characteristics, FAQs,...)

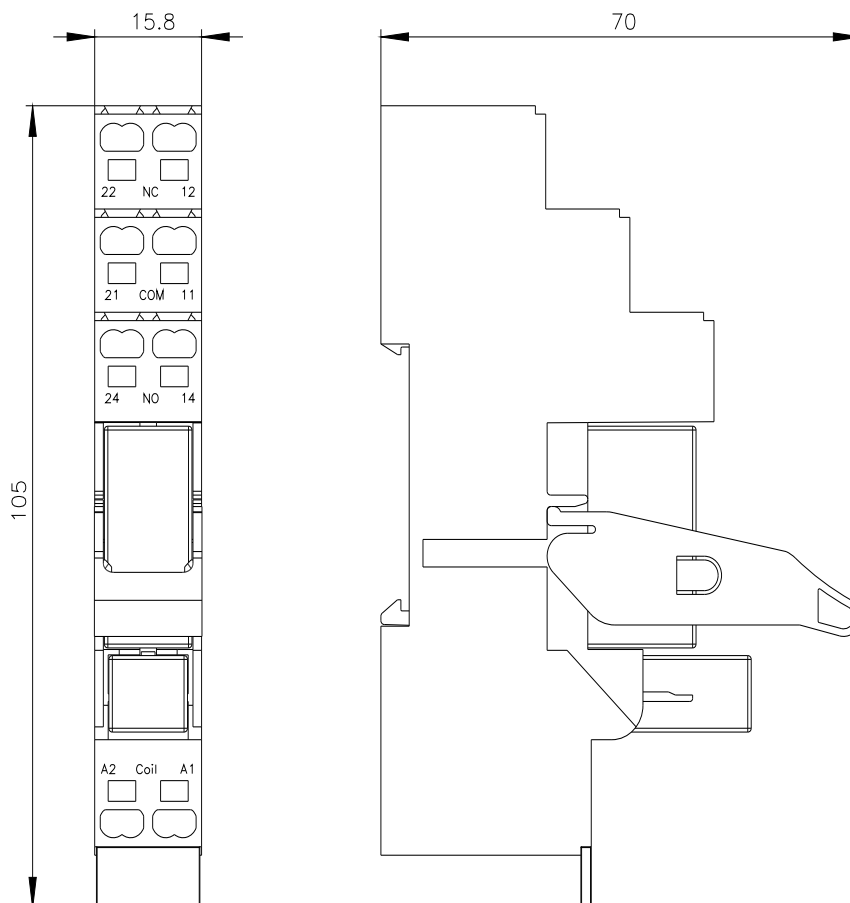
<https://support.industry.siemens.com/cs/ww/en/ps/LZS:RT3D4S15>

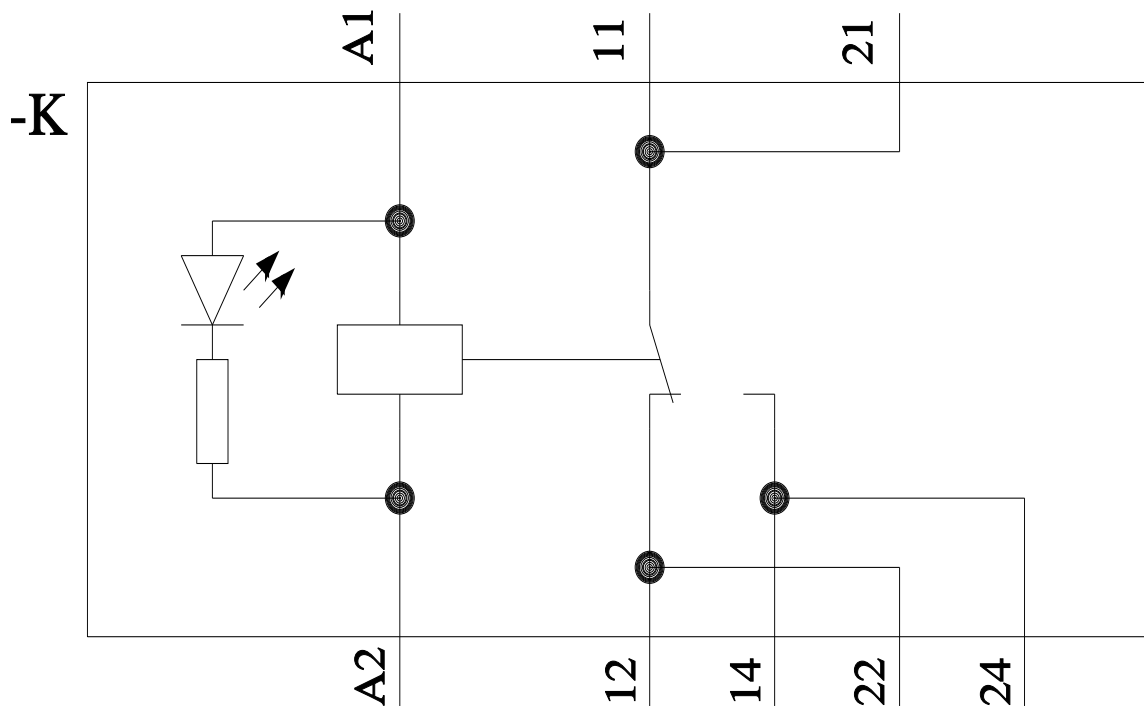
Image database (product images, 2D dimension drawings, 3D models, device circuit diagrams, EPLAN macros, ...)

[http://www.automation.siemens.com/bilddb/cax\\_de.aspx?mlfb=LZS:RT3D4S15&lang=en](http://www.automation.siemens.com/bilddb/cax_de.aspx?mlfb=LZS:RT3D4S15&lang=en)

Characteristic: Derating

<https://support.industry.siemens.com/cs/ww/en/ps/LZS:RT3D4S15/manual>





last modified:

10/13/2021 