

Auxiliary switch transverse 2 NO, screw terminal for circuit breaker 3RV2



General technical data		
product brand name		SIRIUS
product designation		auxiliary switch, transverse on the front
design of the product		transverse auxiliary switches
size of the circuit-breaker		S00, S0, S2, S3
protection class IP on the front according to IEC 60529		IP20
touch protection on the front according to IEC 60529		finger-safe, for vertical contact from the front
ambient temperature		
<ul style="list-style-type: none"> during storage 	°C	-50 ... +80
<ul style="list-style-type: none"> during operation 	°C	-20 ... +60
Auxiliary circuit		
number of NC contacts for auxiliary contacts instantaneous contact		0
number of NO contacts for auxiliary contacts instantaneous contact		2
number of CO contacts of auxiliary contacts instantaneous contact		0
operational current		
<ul style="list-style-type: none"> of auxiliary contacts 		
<ul style="list-style-type: none"> — at AC-12 		
<ul style="list-style-type: none"> <ul style="list-style-type: none"> — at 24 V 	A	2.5
<ul style="list-style-type: none"> <ul style="list-style-type: none"> — at 230 V 	A	2.5
<ul style="list-style-type: none"> — maximum 	A	2.5
<ul style="list-style-type: none"> — at AC-15 		
<ul style="list-style-type: none"> <ul style="list-style-type: none"> — at 24 V 	A	2
<ul style="list-style-type: none"> <ul style="list-style-type: none"> — at 230 V 	A	0.5
<ul style="list-style-type: none"> — at DC-13 		
<ul style="list-style-type: none"> <ul style="list-style-type: none"> — at 24 V 	A	1
<ul style="list-style-type: none"> <ul style="list-style-type: none"> — at 48 V 	A	0.3
<ul style="list-style-type: none"> <ul style="list-style-type: none"> — at 60 V 	A	0.15
Installation/ mounting/ dimensions		
fastening method		plug-in fixing
width	mm	45
height	mm	12
depth	mm	17
Connections/ Terminals		
type of electrical connection for auxiliary and control circuit		screw-type terminals
type of connectable conductor cross-sections		
<ul style="list-style-type: none"> of auxiliary contacts 		
<ul style="list-style-type: none"> — solid 		2x (0.5 ... 1.5 mm ²), 2x (0.75 ... 2.5 mm ²)
<ul style="list-style-type: none"> — finely stranded 		

- with core end processing
- at AWG cables for auxiliary contacts

2x (0.5 ... 1.5 mm²), 2x (0.75 ... 2.5 mm²)
2x (20 ... 14)

Certificates/ approvals

certificate of suitability	CE / UL / CSA / CCC
General Product Approval	Declaration of Conformity



[Confirmation](#)



[KC](#)



EG-Konf.

Declaration of Conformity	Test Certificates	Marine / Shipping
---------------------------	-------------------	-------------------



[Type Test Certificates/Test Report](#)

[Special Test Certificate](#)



Marine / Shipping	other	Railway
-------------------	-------	---------



LRS



PRS



RINA

[Confirmation](#)



VDE

[Vibration and Shock](#)

Railway	Environment
---------	-------------

[Confirmation](#)

[Environmental Confirmations](#)

Further information

Siemens has decided to exit the Russian market (see here).

<https://press.siemens.com/global/en/pressrelease/siemens-wind-down-russian-business>

Siemens is working on the renewal of the current EAC certificates.

Please contact your local Siemens office on the status of validity of the EAC certification if you intend to import or offer to supply these products to an EAC relevant market (other than the sanctioned EAEU member states Russia or Belarus).

Information on the packaging

<https://support.industry.siemens.com/cs/ww/en/view/109813875>

Information- and Downloadcenter (Catalogs, Brochures,...)

<https://www.siemens.com/ic10>

Industry Mall (Online ordering system)

<https://mall.industry.siemens.com/mall/en/en/Catalog/product?mlfb=3RV2901-1F>

Cax online generator

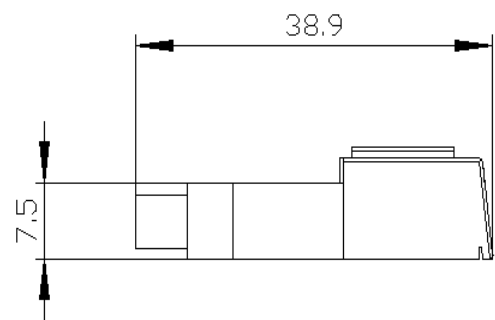
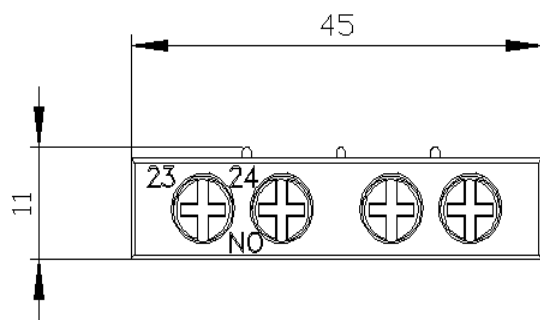
<http://support.automation.siemens.com/WW/CAXorder/default.aspx?lang=en&mlfb=3RV2901-1F>

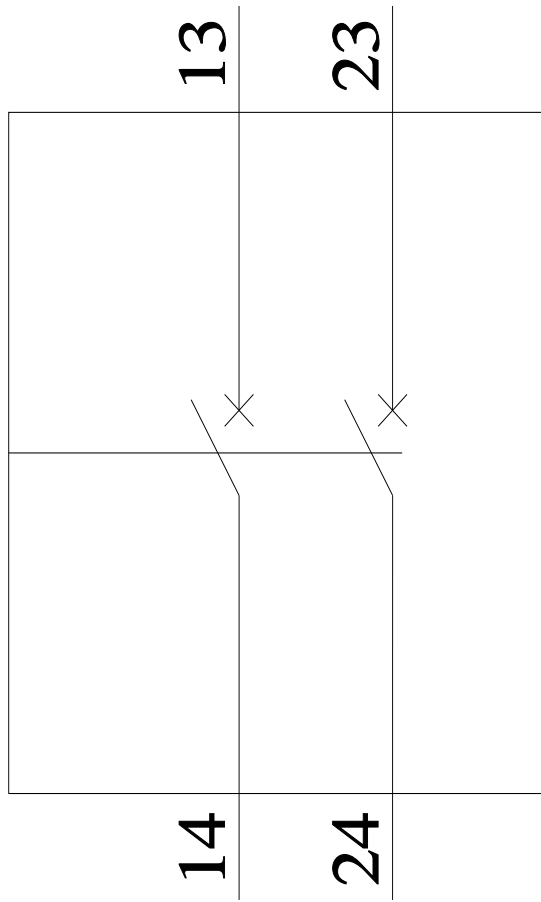
Service&Support (Manuals, Certificates, Characteristics, FAQs,...)

<https://support.industry.siemens.com/cs/ww/en/ps/3RV2901-1F>

Image database (product images, 2D dimension drawings, 3D models, device circuit diagrams, EPLAN macros, ...)

http://www.automation.siemens.com/bilddb/cax_de.aspx?mlfb=3RV2901-1F&lang=en





last modified:

6/26/2021 