

Enclosures and cable glands Catalogue 2017/2018

Let's connect.

Klippon® Protect – enclosure system



Dear Customers,

The PDF versions of our catalogues offer practical additional functions, helping you to find your way around our product range and simplifying the ordering process.

In addition to the catalogue, the PDF also contains:

- Internal page links
- Links to the online catalogue

Try it out for yourself. Click the order number to obtain more detailed information and close-up images via you web browser. The links in the PDF file also enable you to go directly to the next desired catalogue page.

Further Weidmüller product catalogues can be accessed by clicking the following:



Enclosures and Cable Glands

Catalogue 5

Enclosures and Cable Glands

Introduction

Enclosures Klippon® Protect

Enclosures

Cable entries

Cable entry system

Tools

Appendix

Service and support

Technical appendix

Index

Search according to type or order number

Enclosures and Cable Glands

Enclosure overview, introduction
Page A.2



Klippon® Protect
Page B.2



Klippon® Control Station
Page B.4



Klippon® Protect - Terminal Boxes
Page B.34



Klippon® TB MH
Page C.14



Klippon® TB QL
Page C.40



Klippon® TBi QL
Page C.68



Klippon® TBi FS
Page C.82



Klippon® STB
Page C.96



Klippon® K
Page C.108



Klippon® POK
Page C.132



TBF Range
Page C.152



MPC Range
Page C.160



FPC Range
Page C.168



Standard cable glands - Plastic
Page D.6



Standard cable glands - Brass
Page D.9



Cable glands for HDC RockStar®
Page D.12



EMC cable glands
Page D.13



Cable glands - stainless steel
Page D.16



Klippon® Cable glands 
Page D.30



Accessories - Lock nuts
Page D.52



Accessories - IP washer
Page D.57



Accessories - Shrouds
Page D.63



Blanking plugs
Page D.66



Enclosures and Cable Glands

Adaptors
Page D.73



Compensating elements
Page D.75



Cable entry system
Page E.2



Tools
Page F.2



Enclosures and Cable Glands

Enclosures and Cable Glands

Introduction

A.2

For every industry and every application

Klippon® Protect enclosure system

gives safety and protection to connection solutions

A

Enclosures fulfil an important safety function and prove their worth every day, even under the toughest of conditions. All industries have their own specific requirements in terms of enclosure technology – from machine construction through transport and energy engineering to the process industry. At the same time, the enclosures must meet the strict requirements with respect to the necessary international approvals. Our Klippon® Protect enclosure system covers all approvals required for use in industrial and explosive risk zones. It is also so flexible that it allows optimum adaptation to your requirements.

Our promise

The flexible Klippon® Protect enclosure system forms the perfect addition to our Klippon® Connect range of terminal blocks. You can rely on our assembled enclosure assemblies which are optimised to your requirements and offer excellent protection. Individual services round off our range to provide you with optimum process support.

Universal range

Whether it is stainless steel, aluminium or plastic, the universal enclosures from Klippon® Protect offer your assembly excellent protection in industrial or explosive risk zones. With these robust enclosures in the relevant degrees of protection, you can implement various field applications to suit your requirements. The matching system accessories enable simple integration, expansion and customisation.





Services

Our assembly services combine consultancy, application expertise and industry know-how to offer you a tailored solution. We provide you with exclusively produced enclosures. This helps your plant fulfil the highest standards of safety, quality and performance against international competition. You can benefit from our one-stop-shop production quality to reduce your costs, increase efficiency and simplify quality management.

Even with individually assembled products, we guarantee quick, quality-focused production and order-based product availability. From small quantities to complete location supplies: everything is available where you need it within a short space of time.

More detailed information on our wide range of Klippon® Protect enclosure systems can be found at www.weidmueller.com/klipponprotect

Additional information can be found in Chapter V - Customer-specific services.

Order data is available in our online catalogue. Enter the code **#01227** into the search box on our website to go to Klippon® Protect directly.

Highlight

Control Station is a real highlight of our application range. This customer-specific assembled enclosure is a robust "on-site control station" and is perfect for emergency stop applications. It is used when it comes down to the safe switch-off of system components, such as in the process industry or machine construction.

When quality is the key

A Weidmüller's enclosures are often used in harsh environments. They remain reliable for many years thanks to the high quality levels, even when exposed to external influences like water, dust, hard impacts, shock, vibration, corrosion, and extreme temperature fluctuations.

All components used in potentially explosive atmospheres are subject to strict safety regulations and are checked to the finest detail in terms of their functionality as well as their resistance and resilience against the prevailing environmental conditions.

As each enclosure is only as strong as its weakest point, Weidmüller consistently ensures that each individual component is of the highest quality and that it will not therefore cause a weak point in the enclosure. Evidence of this high quality and the functionality of the enclosure is provided by our own laboratory following intensive and careful testing to the international standards.



IP protection class testing

The most important function of an enclosure is to protect the internal components from external influences like moisture or dust.

Enclosures are therefore classified in terms of IP (Ingress Protection) protection classes. To certify this, the enclosures are tested in line with DIN EN 60529 in an accredited Weidmüller laboratory.

Further tests are carried out in our accredited laboratory:

- Impact resistance testing (IK number)
- Shock and vibration test
- Salt spray test (proof of corrosion resistance)
- Long-term testing in accordance with IECEx
 - Heat resistance
 - Cold resistance
- Computer tomography (CT)

Highest level manufacturing expertise

Weidmüller is globally known for its high quality enclosures. To guarantee these high quality standards only the highest quality materials were used for the production of the Klippon® TB range. Their production was done using state of the art techniques.

High quality Klippon® TB enclosures are manufactured in nine steps:

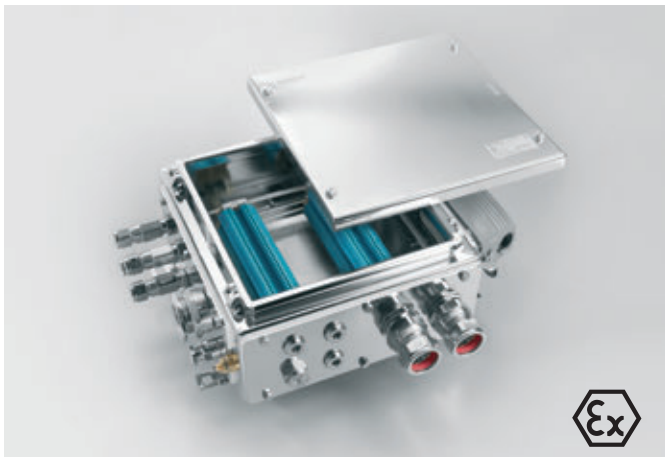
- Fully automated laser cutting
- Computer-aided bending
- Process-safe welding
- Innovative welding of the female threaded sockets
- Surface treatment (electropolishing)
- Sealing gasket cutting
- Final assembly
- In-process quality controls
- Innovative packaging

More information online at:
www.weidmueller.com



Customer specific assembly – consultation, product, development and production – all from a single source

A Our application and manufacturing expertise influences decisions on all areas of modern connection technology. They therefore play an integral part of every solution.



Enclosures

Perfect protection and safety

- On customer request assembled with terminal blocks, electronics and cable glands
- Enclosures for all IP protection classes
- Ex enclosures for hazardous areas
- Placement of inspection glasses, drill holes and threads
- Elaborate machining operations like the milling of contours
- Welding, according to DIN EN ISO 3834-3, for stainless steel and sheet steel enclosures
- Surface coating as and when required
- Individual device and system markers



Heavy duty connectors

Perfect connection with system

- Placement of drill holes and cable glands
- Equipped with plug-and-play components
- Wiring of subassemblies
- Cable assembly
- All housings are available with individual laser marking



Terminal strips

Configuration made to measure

- Machining of mounting rails
- Snapping components onto terminal rails
- Placement of cross connections
- Mounting of standard wires
- Marking of terminals, devices, wires and cables



Electronics

Individual solution from the beginning

- Modular terminal blocks, component plugs, snap on bases, enclosures for electronics: integration of relevant electronic components
- Snap-on base: Component carrier design or simple wiring of the modules
- Interface units
- Modification of existing electronic products: Modification of the circuitry or specific calibration
- Combination of components: Relays or optocouplers in combination with other components



Cable assembly

Our special service

- Pre cutting of wires and cables
- Installation of
 - Heavy duty connectors
 - PCB connectors or DIN connectors
- Conditioning of wire ends
- Mounting of wire end ferrules and cable lugs
- Connection of wires to terminal rails

Harmonisation – the key to market success!

A Weidmüller's products and services meet not only its own internal high standards, but also international quality and safety standards. The Klippon® TB enclosure range is one of the first products to be approved and certified as being compliant with IEC /EN 60079. This range of standards provides a harmonised approach to the development and manufacture of equipment for use in potentially explosive atmospheres.

Klippon® Protect is specially tailored to meet the ever changing and extremely harsh environments of these industries. Certified in accordance with international standards, they also meet the new ATEX and IECEx regulations for potentially explosive atmospheres and have further certifications for use in standard industrial applications. You can find innovative solutions from Weidmüller everywhere; from power distribution or control and monitoring systems in boiler and turbine control systems, in fuel management and combustion control systems, or in transmission and distribution applications.

Excellent expertise on application-specific solutions for explosive risk zones

Weidmüller provides comprehensive expertise and a selection of certified components and application-specific solutions for use in explosive risk zones. Our competent team is here to take care of each individual customer requirement.

Special measures must be taken to guarantee employee health and safety in explosive hazard areas. This is regulated by the ATEX European Community directives 1999/92/EU 2014/34/EU, which classify the various areas of danger and associated selection of explosion-protected equipment into zones.

In line with European regulations, Weidmüller is monitored and regularly audited by a named body. This means Weidmüller meets all the requirements of the IECEx scheme for equipment based on the standards of the International Electrotechnical Commission.

More on this can be found in chapter W - Technical Appendix.



Enclosures Klippon® Protect

Enclosures Klippon® Protect	Introduction	B.2
	Control Station Large application product	B.4
	Klippon® Control Station – STB - Steel enclosures	B.10
	Klippon® Control Station – POK - Polyester enclosures	B.18
	Klippon® Control Station – K - Aluminium enclosures	B.26
	Klippon® Protect – Terminal Boxes	B.34
	Klippon® Protect – Terminal Boxes Aluminium	B.44
	Klippon® Protect – Terminal Boxes Polyester	B.56

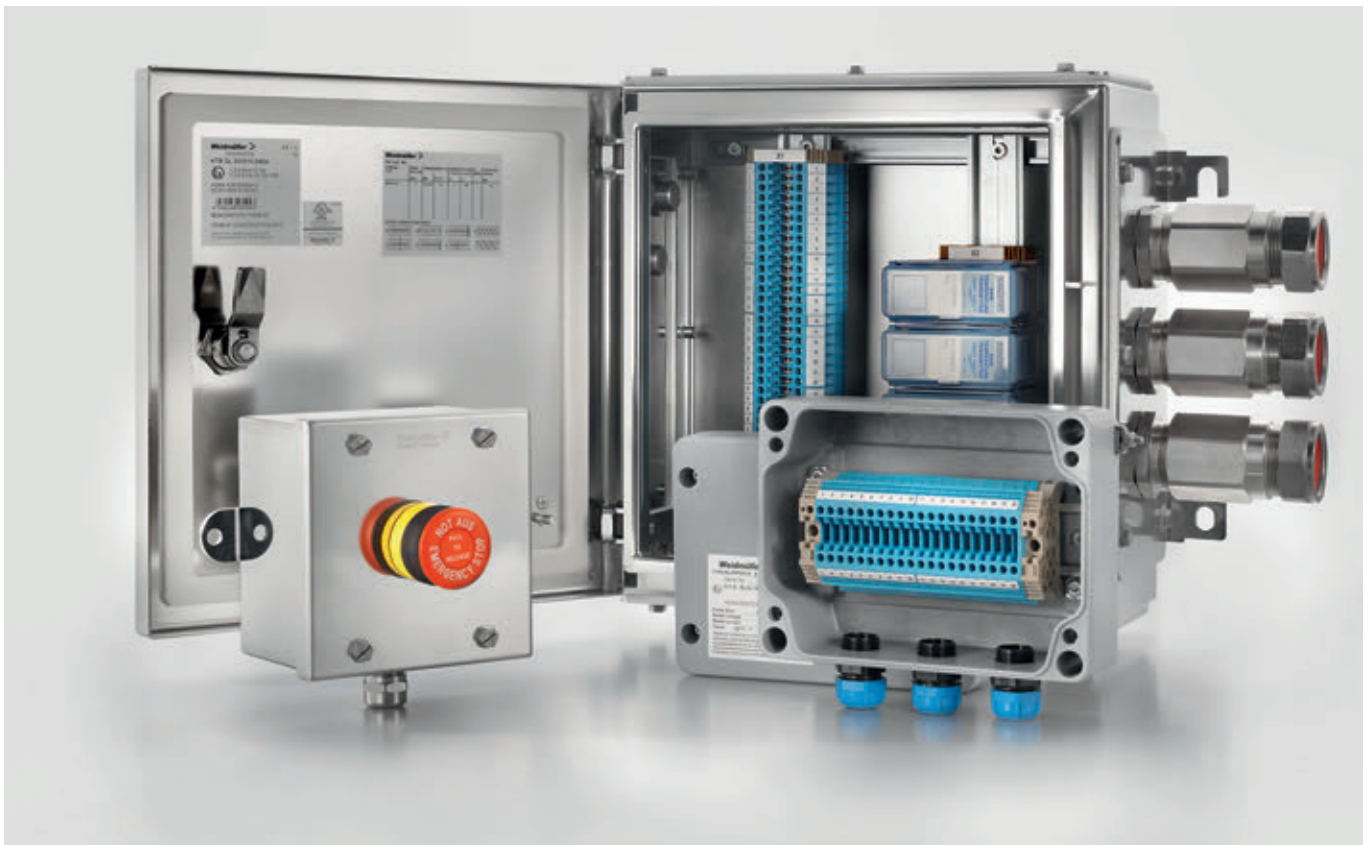
Klippon® Protect – established solutions for your application

B

For more than 50 years, the Klippon® brand has stood for competence and quality in enclosures – in particular for industrial standard applications and for applications in explosive environments. With an overview of our Klippon® Protect application range, you will soon get an insight into the possibilities for your individual solution.

Application range

Our Klippon® Protect application products are designed for specific protection requirements in the field. These include application solutions for monitoring and safety, measurement and control technology and power distribution. The basis for these application solutions is formed by high quality and comprehensive approvals for explosive risk zones. You can obtain enclosure solutions such as terminal boxes, command and signalling devices and electronic boxes from a single source and with a consistent enclosure design - for maximum safety, reliable functionality and low follow-up costs for maintenance, replacement and storage.





Power distribution

Various types of terminal boxes are available for installing signal / power supplies or distributors in explosive risk zones.

The terminal boxes are explosion-protected equipment which is approved for use in explosive protected areas in zones 0, 1, 2 and 20, 21, 21. They are certified and approved in accordance with current international standards and cover explosion protection types Ex e, Ex ia and Ex tb.

Customer-specific configuration means these terminal boxes are the ideal solution for all applications.



Measurement and Control systems

The growing complexity of industry-specific installations in explosive risk zones requires ever more complex solutions. For this reason, the enclosure assemblies have to withstand immense pressures in the field in order to be able to reliably protect the sensitive electronic and control components from external influences.

Tailored to the respective requirements, the Klippon® Control Station combines various control devices and status displays with electronic components such as transmitters and fieldbus distributors in the enclosure, including the wiring of the connection terminals in the enclosure.

You receive a turnkey plug-and-play solution – including all the approvals required.



Monitoring and safety

As well as command and signalling devices or our established terminal boxes, we also offer assembled special models for your application.

With this solution, units are assembled with proximeters for vibration measurement, temperature transmitters for monitoring of operating temperature or eddy current sensors for non-contact distance measurement chains.

Depending on the enclosure version, up to 20 signal inverters, additional modular terminal blocks for connecting devices and intrinsically safe circuits are possible.

Making complex systems in hazardous areas more service-friendly Klippon® Protect combines functions in the Control Station Large

B

Decentralised applications in explosion-risk environments require particularly safe and compact solutions to control and operate motors, pumps, valves or whole machines.

Due to the Control Station Large, the latest application product in our Klippon® enclosure system, it is now possible to bundle all these functions in one enclosure and combine them sensibly with one another. For example, control points with additional signal converters or fieldbus distributors with manual control units.

The application-specific combination of multiple different functions in one enclosure reduces the space required and saves time on installation and servicing. As well as the Control Station Large, there is also the Control Station Small, which is a compact on-site control point, plus there is the traditional distributor enclosure with modular terminal blocks, all in a consistent design.



The increasing complexity of systems in hazardous areas means the solutions need to be more and more multi-layered. The option of combining multiple functions in a single enclosure makes the Control Station Large ideal for these requirements.

Your special advantages:

Many functions – one enclosure

Control points, fieldbus distributors, signal converters or even signal and power distributors – all these functions can be combined in a single enclosure as required.

Making complex systems in Ex areas more service-friendly

The Control Station Large offers a range of control functions in a single enclosure

B

The growing complexity of industry-specific installations in explosive risk zones requires ever more complex solutions. For this reason, the enclosure assemblies have to withstand immense pressures in the field in order to be able to reliably protect the sensitive electronic and control components from external influences. They also have to meet the strict requirements of international approvals, which often make extreme demands in terms of the safety, durability and quality of the enclosures.

A good example of this is the oil and gas industry, where sensitive controls, electronics and operating and display elements have to work in extreme weather conditions while also meeting the requirements for use in explosive risk zones.



Our Control Station Large meets this range of requirements, combining various functions in one enclosure to suit the application. It is tailored to the respective application and combines various control and display elements and modular terminal blocks with electronic components such as transmitters and fieldbus distributors in one enclosure.

The application-specific combination of multiple different functions in one enclosure reduces the space required and saves time on maintenance and commissioning. As well as engineering performance, Weidmüller also offers a pre-wiring service for its enclosure assemblies based on the strict regulations governing Ex areas.

Other application products from Weidmüller are also based on the same design as the Control Station Large: the Control Station Small as a compact on-site control point and the classic distributor enclosure with modular terminal blocks.

Our promise:

- Turnkey plug-and-play solution - including wiring and all approvals required
- Distributor housing and command and signalling devices from a single source
- Consistent enclosure design - for maximum safety, reliable functionality and low follow-up costs for maintenance, exchange and storage



Contact

Our sales team will support you to find the best solution for you.
Let's connect.



Safely control work processes in hazardous areas on site

With certified enclosure solutions with control and display elements

B

Harsh industrial environments and hazardous areas, such as in the oil and gas industry, place extreme demands on the safety, the robustness and quality of products and devices.

We meet these challenges with the Klippon® Control Station, the latest addition to our range of customised enclosure solutions. More than 50 years of expertise have made us market leader in this area with global competence centres. The basis of our enclosure solutions is provided by the usual Weidmüller quality and comprehensive approvals for explosion hazard areas. Based on this, our sturdy "on-site control station" is available in two standard sizes and with up to four control and display elements and provides a flexible solution to meet your specific needs.

Order your distributor enclosure as well as control and signaling units from a single source and from one enclosure design – for reliable security and reduced storage costs for maintenance and repair operations.



Predestined for emergency shutdown applications: Klippon® Control Stations score when it comes to the safe shutdown of plant sections, such as in the process industry

Your special advantages:

Ideal for urgent service calls

We have prepared modules of the proven Klippon® enclosure series STB, POK and K available for you for further processing. This means we manufacture a control solution suitable for your application at short notice.

Customised assembly

In addition to standard types from stock, you can obtain enclosure solutions from us that are completely assembled and equipped according to customer requirements.



Project solutions from a single source

Obtain command/signaling units and distribution and control boxes as a complete solution – tailored to the individual requirements of your projects in hazardous areas.



A variety of sizes and materials

Enclosures in stainless steel, aluminium or polyester are available for different environmental conditions. Depending on the size of the enclosure, it provides space for the integration of up to four control and display elements.

International certificates

The Klippon® Control Station is tested and certified among others according to ATEX and IECEx.



Durability for maximum requirements

Klippon® Protect sets the highest standards with stainless steel enclosures

The enclosure ranges Klippon® TB and Klippon® STB are offered in stainless steel and boost market leading performance characteristics, which even allow them to meet the demanding requirements for use with the harshest environments. The enclosures are certified and comply with the latest international standards – including ATEX and IECEx.

Additional features:

- Standard silicone seals for use in extreme temperature environments
- High Ingress Performance - IP66
- Welded-on mounting feet for wall mounting



Technical data

Technical data	Stainless steel
Material	Stainless steel 1.4404 (316L) 1.50 mm
Surface finish	Mirror-polished
Colour	Natural
IP protection class	IP 54; IP 66
Ambient temperature	-55 °C to 55 °C
Seal material of enclosure	Silicone
Seal material of command and signalling units	EPDM
Flammability rating	-
Impact resistance IK	7 joules in acc. with IEC60079-0 4 joules in acc. with IEC60079-0 with integrated illuminated pushbutton or light module
Cable gland material	Nickel-plated brass
Cable gland clamping area min. - max. in mm	
M20	3-12 mm
M25	10-18 mm
Max. rated cross-section	2.5 mm ²
Max. operating voltage with integrated illuminated pushbutton or light module	400 V
Maximum operating current at 40 °C ambient temperature	250 V
1.5 mm ² - T6	10 A
1.5 mm ² - T5	16 A
2.5 mm ² - T6	16 A
Maximum operating current at 55 °C ambient temperature	
1.5 mm ² - T4	16 A
1.5 mm ² - T5	10 A
2.5 mm ² - T5	16 A
Temperature class	T4, T5, T6
Type of mounting	Wall mounting
Earthing inside	M6x10 earthing studs integrated in the cover, stainless steel
Lid attachment	Hexagonal slothead screws SW10
Lid screw torque	2.5 Nm
Earthing torque	7.5 Nm
Earthing outside	M6 earthing studs, stainless steel
Approvals	IECExITA14.0013X TUEV14ATEX7606X MARITREG 15.40082.250
Marking	2G Ex e d IIC T* Gb 2G Ex ib d [ia] IIC T* Gb 2D Ex tb IIC T80/100 °C Db
Mounting feet	2 welded-on mounting feet with 8 mm holes



	Number of built-in components			Emergency stop pushbutton red	Key switch I - 0 - II	Pushbutton		Illuminated push button		Light module		Dimensions with built-in components WxHxD in mm	Designation	Cable gland	Order number	
	•	••	•••			red	green	red	green	red	green					
Stainless steel	•			1								120x150x119	KLIPPON CS STB 1-1	VG M20	1537200000	
	•						1					120x150x94.6	KLIPPON CS STB 1-1	VG M20	1537210000	
	•				1							120x120x111	KLIPPON CS STB 1-1	VG M20	1537220000	
	•								1			120x150x96.3	KLIPPON CS STB 1-1	VG M20	1537230000	
	•			1								120x153.35x118.95	KLIPPON CS STB 1-2	VG M25	1537240000	
	•							1				120x153.4x94.6	KLIPPON CS STB 1-2	VG M25	1537250000	
	•				1							120x120x111	KLIPPON CS STB 1-2	VG M25	1537280000	
	•								1			120x153.35x96.3	KLIPPON CS STB 1-2	VG M25	1537290000	
	•	•					1	1				150x223.35x94.6	KLIPPON CS STB 2.1-2	VG M25	1537300000	
	•	•						1			1	150x223.35x103.2	KLIPPON CS STB 2.1-2	VG M25	1537310000	
	•	•		1							1	150x223.35x118.95	KLIPPON CS STB 2.1-2	VG M25	1537320000	
	•		•				1	2				150x223.35x94.6	KLIPPON CS STB 2.1-6	VG M25	1537330000	
	•		•				1	1		1		150x223.35x103.2	KLIPPON CS STB 2.1-7	VG M25	1537340000	
	•		•	1			1	1				150x220x118.95	KLIPPON CS STB 2.1-7	VG M20	1537370000	

Klippon® CS STB 1-1



Klippon® CS STB 1-1



Technical data

Enclosure	
Dimensions with installation (HxBxD)	150 / 120 / 119 mm
Material	Stainless steel 1.4404 (316L)
General characteristics	
Surface finish / Colour	Mirror polished / Natural
Protection class	IP54, IP66
Ambient temperature	-55 °C...+55 °C
Impact resistance	7 joules in acc. with IEC60079-0
Enclosure seal material	Silicone (VMQ)
Seal material of operating and display elements	EPDM
Type of mounting	Wall mounting
Internal earth	M6 x 10 earthing studs integrated in the lid, stainless steel
External earth	M6 earthing studs, stainless steel
Lid attachment	M5 hexagonal screw with slot and 10mm distance across flats
Torque for lid screws	2.5 Nm
Earth stud torque	7.5 Nm
Electrical properties*	
Wire connection cross section, finely stranded, max.	2.5 mm ²
Operating voltage, max.	400 V
Temperature class	T4, T5, T6
Enclosure assembly	
1 Position in enclosure	EMERGENCY-STOP pushbutton with yellow, contrasting label
2 Position in enclosure	
3 Position in enclosure	
4 Position in enclosure	
Contact design	2 NC contact, positive opening contacts
Actuators	EMERGENCY STOP pushbutton
Actuator colour	red
Illumination module colour	
Illuminated button actuator colour	
Cable entries	
Drill holes side B	1 x M20
Cable gland	1460050000 - VG M20 EXE MS
Clamping range min. / max.	3 mm / 12 mm
Approval and Marking	
Standards	IEC 60079-0, IEC 60079-7, IEC 60079-31
Certificate No. (IECEX)	IECEXITA14.0013X
Certificate No. (ATEX)	TUEV14ATEX7606X
Certificate No. (EAC)	RUC-DE.TB08.B.01838
Certificate No. (MARITREG)	15.40082.250
Marking	2G Ex d e IIC T* Gb 2G Ex d ib [ia] IIC T* Gb 2D Ex tb IIIC T80/100 °C Db

Enclosure	
Dimensions with installation (HxBxD)	150 / 120 / 95 mm
Material	Stainless steel 1.4404 (316L)
General characteristics	
Surface finish / Colour	Mirror polished / Natural
Protection class	IP54, IP66
Ambient temperature	-55 °C...+55 °C
Impact resistance	7 joules in acc. with IEC60079-0
Enclosure seal material	Silicone (VMQ)
Seal material of operating and display elements	EPDM
Type of mounting	Wall mounting
Internal earth	M6 x 10 earthing studs integrated in the lid, stainless steel
External earth	M6 earthing studs, stainless steel
Lid attachment	M5 hexagonal screw with slot and 10mm distance across flats
Torque for lid screws	2.5 Nm
Earth stud torque	7.5 Nm
Electrical properties*	
Wire connection cross section, finely stranded, max.	2.5 mm ²
Operating voltage, max.	400 V
Temperature class	T4, T5, T6
Enclosure assembly	
1 Position in enclosure	Pushbutton - green
2 Position in enclosure	
3 Position in enclosure	
4 Position in enclosure	
Contact design	1 NC contact, 1 NO contacts
Actuators	Pushbutton
Actuator colour	green
Illumination module colour	
Illuminated button actuator colour	
Cable entries	
Drill holes side B	1 x M20
Cable gland	1460050000 - VG M20 EXE MS
Clamping range min. / max.	3 mm / 12 mm
Approval and Marking	
Standards	IEC 60079-0, IEC 60079-7, IEC 60079-31
Certificate No. (IECEX)	IECEXITA14.0013X
Certificate No. (ATEX)	TUEV14ATEX7606X
Certificate No. (EAC)	RUC-DE.TB08.B.01838
Certificate No. (MARITREG)	15.40082.250
Marking	2G Ex d e IIC T* Gb 2G Ex d ib [ia] IIC T* Gb 2D Ex tb IIIC T80/100 °C Db

Enclosure	
Dimensions with installation (HxBxD)	150 / 120 / 95 mm
Material	Stainless steel 1.4404 (316L)
General characteristics	
Surface finish / Colour	Mirror polished / Natural
Protection class	IP54, IP66
Ambient temperature	-55 °C...+55 °C
Impact resistance	7 joules in acc. with IEC60079-0
Enclosure seal material	Silicone (VMQ)
Seal material of operating and display elements	EPDM
Type of mounting	Wall mounting
Internal earth	M6 x 10 earthing studs integrated in the lid, stainless steel
External earth	M6 earthing studs, stainless steel
Lid attachment	M5 hexagonal screw with slot and 10mm distance across flats
Torque for lid screws	2.5 Nm
Earth stud torque	7.5 Nm
Electrical properties*	
Wire connection cross section, finely stranded, max.	2.5 mm ²
Operating voltage, max.	400 V
Temperature class	T4, T5, T6
Enclosure assembly	
1 Position in enclosure	Pushbutton - green
2 Position in enclosure	
3 Position in enclosure	
4 Position in enclosure	
Contact design	1 NC contact, 1 NO contacts
Actuators	Pushbutton
Actuator colour	green
Illumination module colour	
Illuminated button actuator colour	
Cable entries	
Drill holes side B	1 x M20
Cable gland	1460050000 - VG M20 EXE MS
Clamping range min. / max.	3 mm / 12 mm
Approval and Marking	
Standards	IEC 60079-0, IEC 60079-7, IEC 60079-31
Certificate No. (IECEX)	IECEXITA14.0013X
Certificate No. (ATEX)	TUEV14ATEX7606X
Certificate No. (EAC)	RUC-DE.TB08.B.01838
Certificate No. (MARITREG)	15.40082.250
Marking	2G Ex d e IIC T* Gb 2G Ex d ib [ia] IIC T* Gb 2D Ex tb IIIC T80/100 °C Db

Note	
-------------	--

Ordering data

Type	Qty.	Order No.
KLIPPON CS STB 1-1	1	1537200000

Type	Qty.	Order No.
KLIPPON CS STB 1-1	1	1537210000

Note	*Other temperature classes and connection values on request, or see "Notice to Installer".
-------------	--

Note	*Other temperature classes and connection values on request, or see "Notice to Installer".
-------------	--

Klippon® CS STB 1-1



150 / 120 / 109 mm
Stainless steel 1.4404 (316L)
Mirror polished / Natural
IP54, IP65
-55 °C...+55 °C
7 joules in acc. with IEC60079-0
Silicone (VMQ)
EPDM
Wall mounting
M6 x 10 earthing studs integrated in the lid, stainless steel
M6 earthing studs, stainless steel
M5 hexagonal screw with slot and 10mm distance across flats
2.5 Nm
7.5 Nm
2.5 mm ²
400 V
T4, T5, T6
Key-operated switch
1 NC contact, 1 NO contacts
Key-operated switch, 3 switching positions, I - 0 - II, (I + II), latching, Key retractable
1 x M20
1460050000 - VG M20 EXE MS
3 mm / 12 mm
IEC 60079-0, IEC 60079-7, IEC 60079-31
IECEXITA14.0013X
TUEV14ATEX7606X
RUC-DE.TB08.B.01838
15.40082.250
2G Ex d e IIC T* Gb
2G Ex d ib [ia] IIC T* Gb
2D Ex tb IIIC T80/100 °C Db

Type	Qty.	Order No.
KLIPPON CS STB 1-1	1	1537220000

*Other temperature classes and connection values on request, or see "Notice to Installer".

Klippon® CS STB 1-1



150 / 120 / 96 mm
Stainless steel 1.4404 (316L)
Mirror polished / Natural
IP54, IP66
-55 °C...+55 °C
4 joules in acc. with IEC60079-0
Silicone (VMQ)
EPDM
Wall mounting
M6 x 10 earthing studs integrated in the lid, stainless steel
M6 earthing studs, stainless steel
M5 hexagonal screw with slot and 10mm distance across flats
2.5 Nm
7.5 Nm
2.5 mm ²
250 V
T4, T5, T6
Illuminated pushbutton - green
2 NO contacts
Pushbutton
green
green
1 x M20
1460050000 - VG M20 EXE MS
3 mm / 12 mm
IEC 60079-0, IEC 60079-7, IEC 60079-31
IECEXITA14.0013X
TUEV14ATEX7606X
RUC-DE.TB08.B.01838
15.40082.250
2G Ex d e IIC T* Gb
2G Ex d ib [ia] IIC T* Gb
2D Ex tb IIIC T80/100 °C Db

Type	Qty.	Order No.
KLIPPON CS STB 1-1	1	1537230000

*Other temperature classes and connection values on request, or see "Notice to Installer".

Klippon® CS STB 1-2



153 / 120 / 119 mm
Stainless steel 1.4404 (316L)
Mirror polished / Natural
IP54, IP66
-55 °C...+55 °C
7 joules in acc. with IEC60079-0
Silicone (VMQ)
EPDM
Wall mounting
M6 x 10 earthing studs integrated in the lid, stainless steel
M6 earthing studs, stainless steel
M5 hexagonal screw with slot and 10mm distance across flats
2.5 Nm
7.5 Nm
2.5 mm ²
400 V
T4, T5, T6
EMERGENCY-STOP pushbutton with yellow, contrasting label
2 NC contact, positive opening contacts
EMERGENCY STOP pushbutton
red
1 x M25
1460070000 - VG M25 EXE MS
10 mm / 18 mm
IEC 60079-0, IEC 60079-7, IEC 60079-31
IECEXITA14.0013X
TUEV14ATEX7606X
RUC-DE.TB08.B.01838
15.40082.250
2G Ex d e IIC T* Gb
2G Ex d ib [ia] IIC T* Gb
2D Ex tb IIIC T80/100 °C Db

Type	Qty.	Order No.
KLIPPON CS STB 1-2	1	1537240000

*Other temperature classes and connection values on request, or see "Notice to Installer".

Klippon® CS STB 1-2



Klippon® CS STB 1-2



Technical data

Enclosure	
Dimensions with installation (HxBxD)	153 / 120 / 95 mm
Material	Stainless steel 1.4404 (316L)
General characteristics	
Surface finish / Colour	Mirror polished / Natural
Protection class	IP54, IP66
Ambient temperature	-55 °C...+55 °C
Impact resistance	7 joules in acc. with IEC60079-0
Enclosure seal material	Silicone (VMQ)
Seal material of operating and display elements	EPDM
Type of mounting	Wall mounting
Internal earth	M6 x 10 earthing studs integrated in the lid, stainless steel
External earth	M6 earthing studs, stainless steel
Lid attachment	M5 hexagonal screw with slot and 10mm distance across flats
Torque for lid screws	2.5 Nm
Earth stud torque	7.5 Nm
Electrical properties*	
Wire connection cross section, finely stranded, max.	2.5 mm ²
Operating voltage, max.	400 V
Temperature class	T4, T5, T6
Enclosure assembly	
1 Position in enclosure	Pushbutton - green
2 Position in enclosure	
3 Position in enclosure	
4 Position in enclosure	
Contact design	1 NC contact, 1 NO contacts
Actuators	Pushbutton
Actuator colour	green
Illumination module colour	
Illuminated button actuator colour	
Cable entries	
Drill holes side B	1 x M25
Cable gland	1460070000 - VG M25 EXE MS
Clamping range min. / max.	10 mm / 18 mm
Approval and Marking	
Standards	IEC 60079-0, IEC 60079-7, IEC 60079-31
Certificate No. (IECEX)	IECEXITA14.0013X
Certificate No. (ATEX)	TUEV14ATEX7606X
Certificate No. (EAC)	RUC-DE.TB08.B.01838
Certificate No. (MARITREG)	15.40082.250
Marking	2G Ex d e IIC T* Gb 2G Ex d ib [ia] IIC T* Gb 2D Ex tb IIIC T80/100 °C Db

Enclosure	
Dimensions with installation (HxBxD)	153 / 120 / 109 mm
Material	Stainless steel 1.4404 (316L)
General characteristics	
Surface finish / Colour	Mirror polished / Natural
Protection class	IP54, IP65
Ambient temperature	-55 °C...+55 °C
Impact resistance	7 joules in acc. with IEC60079-0
Enclosure seal material	Silicone (VMQ)
Seal material of operating and display elements	EPDM
Type of mounting	Wall mounting
Internal earth	M6 x 10 earthing studs integrated in the lid, stainless steel
External earth	M6 earthing studs, stainless steel
Lid attachment	M5 hexagonal screw with slot and 10mm distance across flats
Torque for lid screws	2.5 Nm
Earth stud torque	7.5 Nm
Electrical properties*	
Wire connection cross section, finely stranded, max.	2.5 mm ²
Operating voltage, max.	400 V
Temperature class	T4, T5, T6
Enclosure assembly	
1 Position in enclosure	Key-operated switch
2 Position in enclosure	
3 Position in enclosure	
4 Position in enclosure	
Contact design	1 NC contact, 1 NO contacts
Actuators	Key-operated switch, 3 switching positions, I - 0 - II, (I + II), latching, Key retractable
Actuator colour	
Illumination module colour	
Illuminated button actuator colour	
Cable entries	
Drill holes side B	1 x M25
Cable gland	1460070000 - VG M25 EXE MS
Clamping range min. / max.	10 mm / 18 mm
Approval and Marking	
Standards	IEC 60079-0, IEC 60079-7, IEC 60079-31
Certificate No. (IECEX)	IECEXITA14.0013X
Certificate No. (ATEX)	TUEV14ATEX7606X
Certificate No. (EAC)	RUC-DE.TB08.B.01838
Certificate No. (MARITREG)	15.40082.250
Marking	2G Ex d e IIC T* Gb 2G Ex d ib [ia] IIC T* Gb 2D Ex tb IIIC T80/100 °C Db

Enclosure	
Dimensions with installation (HxBxD)	153 / 120 / 109 mm
Material	Stainless steel 1.4404 (316L)
General characteristics	
Surface finish / Colour	Mirror polished / Natural
Protection class	IP54, IP65
Ambient temperature	-55 °C...+55 °C
Impact resistance	7 joules in acc. with IEC60079-0
Enclosure seal material	Silicone (VMQ)
Seal material of operating and display elements	EPDM
Type of mounting	Wall mounting
Internal earth	M6 x 10 earthing studs integrated in the lid, stainless steel
External earth	M6 earthing studs, stainless steel
Lid attachment	M5 hexagonal screw with slot and 10mm distance across flats
Torque for lid screws	2.5 Nm
Earth stud torque	7.5 Nm
Electrical properties*	
Wire connection cross section, finely stranded, max.	2.5 mm ²
Operating voltage, max.	400 V
Temperature class	T4, T5, T6
Enclosure assembly	
1 Position in enclosure	Key-operated switch
2 Position in enclosure	
3 Position in enclosure	
4 Position in enclosure	
Contact design	1 NC contact, 1 NO contacts
Actuators	Key-operated switch, 3 switching positions, I - 0 - II, (I + II), latching, Key retractable
Actuator colour	
Illumination module colour	
Illuminated button actuator colour	
Cable entries	
Drill holes side B	1 x M25
Cable gland	1460070000 - VG M25 EXE MS
Clamping range min. / max.	10 mm / 18 mm
Approval and Marking	
Standards	IEC 60079-0, IEC 60079-7, IEC 60079-31
Certificate No. (IECEX)	IECEXITA14.0013X
Certificate No. (ATEX)	TUEV14ATEX7606X
Certificate No. (EAC)	RUC-DE.TB08.B.01838
Certificate No. (MARITREG)	15.40082.250
Marking	2G Ex d e IIC T* Gb 2G Ex d ib [ia] IIC T* Gb 2D Ex tb IIIC T80/100 °C Db

Note	
-------------	--

Ordering data

Type	Qty.	Order No.
KLIPPON CS STB 1-2	1	1537250000

Note	*Other temperature classes and connection values on request, or see "Notice to Installer".
-------------	--

Type	Qty.	Order No.
KLIPPON CS STB 1-2	1	1537280000

Note	*Other temperature classes and connection values on request, or see "Notice to Installer".
-------------	--

Klippon® CS STB 1-2



153 / 120 / 96 mm
Stainless steel 1.4404 (316L)
Mirror polished / Natural
IP54, IP66
-55 °C...+55 °C
4 joules in acc. with IEC60079-0
Silicone (VMQ)
EPDM
Wall mounting
M6 x 10 earthing studs integrated in the lid, stainless steel
M6 earthing studs, stainless steel
M5 hexagonal screw with slot and 10mm distance across flats
2.5 Nm
7.5 Nm
2.5 mm ²
250 V
T4, T5, T6
Illuminated pushbutton - green
2 NO contacts
Pushbutton
green
green
1 x M25
1460070000 - VG M25 EXE MS
3 mm / 12 mm
IEC 60079-0, IEC 60079-7, IEC 60079-31
IECEXITA14.0013X
TUEV14ATEX7606X
RUC-DE.TB08.B.01838
15.40082.250
2G Ex d e IIC T* Gb
2G Ex d ib [ia] IIC T* Gb
2D Ex tb IIIC T80/100 °C Db

Type	Qty.	Order No.
KLIPPON CS STB 1-2	1	1537290000

*Other temperature classes and connection values on request, or see "Notice to Installer".

Klippon® CS STB 2.1-2



223 / 150 / 95 mm
Stainless steel 1.4404 (316L)
Mirror polished / Natural
IP54, IP66
-55 °C...+55 °C
7 joules in acc. with IEC60079-0
Silicone (VMQ)
EPDM
Wall mounting
M6 x 10 earthing studs integrated in the lid, stainless steel
M6 earthing studs, stainless steel
M5 hexagonal screw with slot and 10mm distance across flats
2.5 Nm
7.5 Nm
2.5 mm ²
400 V
T4, T5, T6
Pushbutton - red
Pushbutton - green
2 NC contact, 2 NO contacts
Pushbutton
red, green
green
1 x M25
1460070000 - VG M25 EXE MS
10 mm / 18 mm
IEC 60079-0, IEC 60079-7, IEC 60079-31
IECEXITA14.0013X
TUEV14ATEX7606X
RUC-DE.TB08.B.01838
15.40082.250
2G Ex d e IIC T* Gb
2G Ex d ib [ia] IIC T* Gb
2D Ex tb IIIC T80/100 °C Db

Type	Qty.	Order No.
KLIPPON CS STB 2.1-2	1	1537300000

*Other temperature classes and connection values on request, or see "Notice to Installer".

Klippon® CS STB 2.1-2



223 / 150 / 103 mm
Stainless steel 1.4404 (316L)
Mirror polished / Natural
IP54, IP66
-55 °C...+55 °C
4 joules in acc. with IEC60079-0
Silicone (VMQ)
EPDM
Wall mounting
M6 x 10 earthing studs integrated in the lid, stainless steel
M6 earthing studs, stainless steel
M5 hexagonal screw with slot and 10mm distance across flats
2.5 Nm
7.5 Nm
2.5 mm ²
250 V
T4, T5, T6
Light module - green
Pushbutton - green
1 NC contact, 1 NO contacts
Pushbutton
green
green
1 x M25
1460070000 - VG M25 EXE MS
10 mm / 18 mm
IEC 60079-0, IEC 60079-7, IEC 60079-31
IECEXITA14.0013X
TUEV14ATEX7606X
RUC-DE.TB08.B.01838
15.40082.250
2G Ex d e IIC T* Gb
2G Ex d ib [ia] IIC T* Gb
2D Ex tb IIIC T80/100 °C Db

Type	Qty.	Order No.
KLIPPON CS STB 2.1-2	1	1537310000

*Other temperature classes and connection values on request, or see "Notice to Installer".

Klippon® CS STB 2.1-2



Klippon® CS STB 2.1-6



Technical data

Enclosure	
Dimensions with installation (HxBxD)	223 / 150 / 119 mm
Material	Stainless steel 1.4404 (316L)
General characteristics	
Surface finish / Colour	Mirror polished / Natural
Protection class	IP54, IP66
Ambient temperature	-55 °C...+55 °C
Impact resistance	4 joules in acc. with IEC60079-0
Enclosure seal material	Silicone (VMQ)
Seal material of operating and display elements	EPDM
Type of mounting	Wall mounting
Internal earth	M6 x 10 earthing studs integrated in the lid, stainless steel
External earth	M6 earthing studs, stainless steel
Lid attachment	M5 hexagonal screw with slot and 10mm distance across flats
Torque for lid screws	2.5 Nm
Earth stud torque	7.5 Nm
Electrical properties*	
Wire connection cross section, finely stranded, max.	2.5 mm ²
Operating voltage, max.	250 V
Temperature class	T4, T5, T6
Enclosure assembly	
1 Position in enclosure	Light module - red
2 Position in enclosure	EMERGENCY-STOP pushbutton with yellow, contrasting label
3 Position in enclosure	
4 Position in enclosure	
Contact design	2 NC contact, positive opening contacts
Actuators	EMERGENCY STOP pushbutton
Actuator colour	red
Illumination module colour	
Illuminated button actuator colour	
Cable entries	
Drill holes side B	1 x M25
Cable gland	1460070000 - VG M25 EXE MS
Clamping range min. / max.	10 mm / 18 mm
Approval and Marking	
Standards	IEC 60079-0, IEC 60079-7, IEC 60079-31
Certificate No. (IECEX)	IECEXITA14.0013X
Certificate No. (ATEX)	TUEV14ATEX7606X
Certificate No. (EAC)	RUC-DE.TB08.B.01838
Certificate No. (MARITREG)	15.40082.250
Marking	2G Ex d e IIC T* Gb 2G Ex d ib [ia] IIC T* Gb 2D Ex tb IIIC T80/100 °C Db

Enclosure	
Dimensions with installation (HxBxD)	223 / 150 / 95 mm
Material	Stainless steel 1.4404 (316L)
General characteristics	
Surface finish / Colour	Mirror polished / Natural
Protection class	IP54, IP66
Ambient temperature	-55 °C...+55 °C
Impact resistance	7 joules in acc. with IEC60079-0
Enclosure seal material	Silicone (VMQ)
Seal material of operating and display elements	EPDM
Type of mounting	Wall mounting
Internal earth	M6 x 10 earthing studs integrated in the lid, stainless steel
External earth	M6 earthing studs, stainless steel
Lid attachment	M5 hexagonal screw with slot and 10mm distance across flats
Torque for lid screws	2.5 Nm
Earth stud torque	7.5 Nm
Electrical properties*	
Wire connection cross section, finely stranded, max.	2.5 mm ²
Operating voltage, max.	400 V
Temperature class	T4, T5, T6
Enclosure assembly	
1 Position in enclosure	Pushbutton - green
2 Position in enclosure	Pushbutton - red
3 Position in enclosure	Pushbutton - green
Contact design	3 NC contact, 3 NO contacts
Actuators	Pushbutton
Actuator colour	green, red
Illumination module colour	
Illuminated button actuator colour	
Cable entries	
Drill holes side B	1 x M25
Cable gland	1460070000 - VG M25 EXE MS
Clamping range min. / max.	10 mm / 18 mm
Approval and Marking	
Standards	IEC 60079-0, IEC 60079-7, IEC 60079-31
Certificate No. (IECEX)	IECEXITA14.0013X
Certificate No. (ATEX)	TUEV14ATEX7606X
Certificate No. (EAC)	RUC-DE.TB08.B.01838
Certificate No. (MARITREG)	15.40082.250
Marking	2G Ex d e IIC T* Gb 2G Ex d ib [ia] IIC T* Gb 2D Ex tb IIIC T80/100 °C Db

Enclosure	
Dimensions with installation (HxBxD)	223 / 150 / 95 mm
Material	Stainless steel 1.4404 (316L)
General characteristics	
Surface finish / Colour	Mirror polished / Natural
Protection class	IP54, IP66
Ambient temperature	-55 °C...+55 °C
Impact resistance	7 joules in acc. with IEC60079-0
Enclosure seal material	Silicone (VMQ)
Seal material of operating and display elements	EPDM
Type of mounting	Wall mounting
Internal earth	M6 x 10 earthing studs integrated in the lid, stainless steel
External earth	M6 earthing studs, stainless steel
Lid attachment	M5 hexagonal screw with slot and 10mm distance across flats
Torque for lid screws	2.5 Nm
Earth stud torque	7.5 Nm
Electrical properties*	
Wire connection cross section, finely stranded, max.	2.5 mm ²
Operating voltage, max.	400 V
Temperature class	T4, T5, T6
Enclosure assembly	
1 Position in enclosure	Pushbutton - green
2 Position in enclosure	Pushbutton - red
3 Position in enclosure	Pushbutton - green
Contact design	3 NC contact, 3 NO contacts
Actuators	Pushbutton
Actuator colour	green, red
Illumination module colour	
Illuminated button actuator colour	
Cable entries	
Drill holes side B	1 x M25
Cable gland	1460070000 - VG M25 EXE MS
Clamping range min. / max.	10 mm / 18 mm
Approval and Marking	
Standards	IEC 60079-0, IEC 60079-7, IEC 60079-31
Certificate No. (IECEX)	IECEXITA14.0013X
Certificate No. (ATEX)	TUEV14ATEX7606X
Certificate No. (EAC)	RUC-DE.TB08.B.01838
Certificate No. (MARITREG)	15.40082.250
Marking	2G Ex d e IIC T* Gb 2G Ex d ib [ia] IIC T* Gb 2D Ex tb IIIC T80/100 °C Db

Note	
-------------	--

Ordering data

Type	Qty.	Order No.
KLIPPON CS STB 2.1-2	1	1537320000

Note	*Other temperature classes and connection values on request, or see "Notice to Installer".
-------------	--

Note	
-------------	--

Type	Qty.	Order No.
KLIPPON CS STB 2.1-6	1	1537330000

Note	*Other temperature classes and connection values on request, or see "Notice to Installer".
-------------	--

Klippon® CS STB 2.1-7



223 / 150 / 103 mm
Stainless steel 1.4404 (316L)
Mirror polished / Natural
IP54, IP66
-55 °C...+55 °C
4 joules in acc. with IEC60079-0
Silicone (VMQ)
EPDM
Wall mounting
M6 x 10 earthing studs integrated in the lid, stainless steel
M6 earthing studs, stainless steel
M5 hexagonal screw with slot and 10mm distance across flats
2.5 Nm
7.5 Nm
2.5 mm ²
250 V
T4, T5, T6
Pushbutton - red
Light module - green
Pushbutton - green
2 NC contact, 2 NO contacts
Pushbutton
red, green
green
1 x M25
1460070000 - VG M25 EXE MS
10 mm / 18 mm
IEC 60079-0, IEC 60079-7, IEC 60079-31
IECEXITA14.0013X
TUEV14ATEX7606X
RUC-DE.TB08.B.01838
15.40082.250
2G Ex d e IIC T* Gb
2G Ex d ib [ia] IIC T* Gb
2D Ex tb IIIC T80/100 °C Db

Klippon® CS STB 2.1-7



220 / 150 / 119 mm
Stainless steel 1.4404 (316L)
Mirror polished / Natural
IP54, IP66
-55 °C...+55 °C
7 joules in acc. with IEC60079-0
Silicone (VMQ)
EPDM
Wall mounting
M6 x 10 earthing studs integrated in the lid, stainless steel
M6 earthing studs, stainless steel
M5 hexagonal screw with slot and 10mm distance across flats
2.5 Nm
7.5 Nm
2.5 mm ²
400 V
T4, T5, T6
Pushbutton - green
Pushbutton - red
EMERGENCY-STOP pushbutton with yellow, contrasting label
2 NO contacts, 2 NC contact, positive opening contacts
Pushbutton, EMERGENCY STOP pushbutton
green, red
2 x M20
1460050000 - VG M20 EXE MS
3 mm / 12 mm
IEC 60079-0, IEC 60079-7, IEC 60079-31
IECEXITA14.0013X
TUEV14ATEX7606X
RUC-DE.TB08.B.01838
15.40082.250
2G Ex d e IIC T* Gb
2G Ex d ib [ia] IIC T* Gb
2D Ex tb IIIC T80/100 °C Db

Type	Qty.	Order No.
KLIPPON CS STB 2.1-7	1	1537340000

Type	Qty.	Order No.
KLIPPON CS STB 2.1-7	1	1537370000

*Other temperature classes and connection values on request, or see "Notice to Installer".

*Other temperature classes and connection values on request, or see "Notice to Installer".

Robust solutions for demanding environments

Klippon® Protect provides high-quality polyester enclosures

Our enclosures made of high-quality polyester (Klippon® POK) are the ideal solutions for demanding electrical connectivity applications. They are particularly suitable for applications that demand corrosion resistance, impact resistance and a high protection class. Suitable for use within hazardous environments.

B

Additional features:

- Extremely robust, weather-proof and impact-resistant up to 7 joules
- Simple fastening of mounting rails
- High ingress protection IP66



Technical data

Material	
Surface finish	
Colour	
IP protection class	IP 54; IP 66
Ambient temperature	-55 °C to 55 °C
Seal material of enclosure	Silicone (VMQ)
Seal material of command and signalling units	EPDM
Flammability rating	-
Impact resistance IK	7 joules in acc. with IEC60079-0 4 joules in acc. with IEC60079-0 with integrated illuminated pushbutton or light module
Cable gland material	Polyamide
Cable gland clamping area min. - max. in mm	
M20	Available on request
M25	6-12 mm
Max. rated cross-section	2.5 mm ²
Max. operating voltage with integrated illuminated pushbutton or lighting module	400 V
Maximum operating current at 40 °C ambient temperature	250 V
1.5 mm ² - T6	10 A
1.5 mm ² - T5	16 A
2.5 mm ² - T6	16 A
Maximum operating current at 55 °C ambient temperature	
1.5 mm ² - T4	16 A
1.5 mm ² - T5	10 A
2.5 mm ² - T5	16 A
Temperature class	T4, T5, T6
Type of mounting	Wall mounting
Earthing inside	Earth terminal
Lid attachment	Crosshead screws, stainless steel
Lid screw torque	2.5-3.0 Nm
Earthing torque	-
Earthing outside	Available on request
Approvals	IECEXITA14.0013X TUEV14ATEX7606X MARITREG 15.40082.250
Marking	2G Ex e d IIC T* Gb 2G Ex ib d [ia] IIC T* Gb 2D Ex tb IIC T80/100 °C Db
Mounting feet	9510910000

Polyester enclosures

Glass-fibre reinforced polyester with graphite mixture
Natural, black
Similar to RAL 9011
IP 54; IP 66
-55 °C to 55 °C
Silicone (VMQ)
EPDM
-
7 joules in acc. with IEC60079-0 4 joules in acc. with IEC60079-0 with integrated illuminated pushbutton or light module
Polyamide
Available on request
6-12 mm
2.5 mm ²
400 V
250 V
10 A
16 A
16 A
16 A
10 A
16 A
T4, T5, T6
Wall mounting
Earth terminal
Crosshead screws, stainless steel
2.5-3.0 Nm
-
Available on request
IECEXITA14.0013X TUEV14ATEX7606X MARITREG 15.40082.250
2G Ex e d IIC T* Gb 2G Ex ib d [ia] IIC T* Gb 2D Ex tb IIC T80/100 °C Db
9510910000



	Number of built-in components				Emergency stop pushbutton red	Key switch I – 0 – II	Pushbutton		Illuminated pushbutton		Light module		Dimensions with built-in components WxHxD in mm	Designation	Cable gland	Order number		
	•	•	•	•			red	green	red	green	red	green						
Polyester	•				1								120x152.14x127.45	KLIPPON CS POK 121209-2	VG M25	1537070000		
	•							1					120x152.14x103.1	KLIPPON CS POK 121209-2	VG M25	1537080000		
	•					1							120x122x126	KLIPPON CS POK 121209-2	VG M25	1537090000		
	•									1			120x152.14x104.8	KLIPPON CS POK 121209-2	VG M25	1537100000		
	•							1	1				120x152.14x103.1	KLIPPON CS POK 121209-4	VG M25	1537110000		
	•								1		1		120x152.14x111.7	KLIPPON CS POK 121209-4	VG M25	1537120000		
	•				1							1	120x152.14x127.45	KLIPPON CS POK 121209-4	VG M25	1537130000		
		•						1	1				1	120x250.14x111.7	KLIPPON CS POK 122209-2	VG M25	1537140000	
			•					1	2					120x250.14x103.1	KLIPPON CS POK 122209-2	VG M25	1537150000	
				•		1		1	1					120x250.14x127.45	KLIPPON CS POK 122209-2	VG M25	1537170000	
					•			1	1			1	1	120x250.14x111.7	KLIPPON CS POK 122209-4	VG M25	1537180000	

Klippon® CS POK 121209-2



Klippon® CS POK 121209-2



Technical data

Enclosure	
Dimensions with installation (HxBxD)	
Material	
General characteristics	
Surface finish / Colour	
Protection class	
Ambient temperature	
Impact resistance	
UL 94 flammability rating	
Enclosure seal material	
Seal material of operating and display elements	
Type of mounting	
External earth	
Lid attachment	
Torque for lid screws	
Electrical properties*	
Wire connection cross section, finely stranded, max.	
Operating voltage, max.	
Temperature class	
Enclosure assembly	
1 Position in enclosure	
2 Position in enclosure	
3 Position in enclosure	
4 Position in enclosure	
Contact design	
Actuators	
Actuator colour	
Illumination module colour	
Illuminated button actuator colour	
Cable entries	
Drill holes side B	
Cable gland	
Clamping range min. / max.	
Approval and Marking	
Standards	
Certificate No. (IECEX)	
Certificate No. (ATEX)	
Certificate No. (EAC)	
Certificate No. (MARITREG)	
Marking	
Accessories	
Mounting feet	

Dimensions with installation (HxBxD)	152 / 120 / 128 mm
Material	Glass-fibre reinforced polyester with graphite mixture
Surface finish / Colour	untreated / similar to RAL 9011
Protection class	IP54, IP66
Ambient temperature	-55 °C...+55 °C
Impact resistance	7 joules in acc. with IEC60079-0
UL 94 flammability rating	V-0
Enclosure seal material	Silicone (VMQ)
Seal material of operating and display elements	EPDM
Type of mounting	Wall mounting
External earth	Available on request
Lid attachment	Crosshead screws, stainless steel
Torque for lid screws	2.5 Nm
Wire connection cross section, finely stranded, max.	2.5 mm ²
Operating voltage, max.	400 V
Temperature class	T4, T5, T6
1 Position in enclosure	EMERGENCY-STOP pushbutton with yellow, contrasting label
2 Position in enclosure	
3 Position in enclosure	
4 Position in enclosure	
Contact design	2 NC contact, positive opening contacts
Actuators	EMERGENCY STOP pushbutton
Actuator colour	red
Illumination module colour	
Illuminated button actuator colour	
Drill holes side B	1 x M25
Cable gland	2017260000 - VG M25 EXE 12-17 CR 7J
Clamping range min. / max.	12 mm / 17 mm
Standards	IEC 60079-0, IEC 60079-7, IEC 60079-31
Certificate No. (IECEX)	IECEXITA14.0013X
Certificate No. (ATEX)	TUEV14ATEX7606X
Certificate No. (EAC)	RUC-DE.TB08.B.01838
Certificate No. (MARITREG)	15.40082.250
Marking	2G Ex d e IIC T* Gb 2G Ex d ib [ia] IIC T* Gb 2D Ex tb IIIC T80/100 °C Db
Mounting feet	9510910000 - MF POK big

Dimensions with installation (HxBxD)	152 / 120 / 103 mm
Material	Glass-fibre reinforced polyester with graphite mixture
Surface finish / Colour	untreated / similar to RAL 9011
Protection class	IP54, IP66
Ambient temperature	-55 °C...+55 °C
Impact resistance	7 joules in acc. with IEC60079-0
UL 94 flammability rating	V-0
Enclosure seal material	Silicone (VMQ)
Seal material of operating and display elements	EPDM
Type of mounting	Wall mounting
External earth	Available on request
Lid attachment	Crosshead screws, stainless steel
Torque for lid screws	2.5 Nm
Wire connection cross section, finely stranded, max.	2.5 mm ²
Operating voltage, max.	400 V
Temperature class	T4, T5, T6
1 Position in enclosure	Pushbutton - green
2 Position in enclosure	
3 Position in enclosure	
4 Position in enclosure	
Contact design	1 NC contact, 1 NO contacts
Actuators	Pushbutton
Actuator colour	green
Illumination module colour	
Illuminated button actuator colour	
Drill holes side B	1 x M25
Cable gland	2017260000 - VG M25 EXE 12-17 CR 7J
Clamping range min. / max.	12 mm / 17 mm
Standards	IEC 60079-0, IEC 60079-7, IEC 60079-31
Certificate No. (IECEX)	IECEXITA14.0013X
Certificate No. (ATEX)	TUEV14ATEX7606X
Certificate No. (EAC)	RUC-DE.TB08.B.01838
Certificate No. (MARITREG)	15.40082.250
Marking	2G Ex d e IIC T* Gb 2G Ex d ib [ia] IIC T* Gb 2D Ex tb IIIC T80/100 °C Db
Mounting feet	9510910000 - MF POK big

Note	
-------------	--

Ordering data

Type	Qty.	Order No.
KLIPPON CS POK 121209-2	1	1537070000

Type	Qty.	Order No.
KLIPPON CS POK 121209-2	1	1537080000

Note	*Other temperature classes and connection values on request, or see "Notice to Installer".
-------------	--

Note	*Other temperature classes and connection values on request, or see "Notice to Installer".
-------------	--

Klippon® CS POK 121209-2



152 / 120 / 117 mm
Glass-fibre reinforced polyester with graphite mixture
untreated / similar to RAL 9011
IP54, IP65
-55 °C...+55 °C
7 joules in acc. with IEC60079-0
V-0
Silicone (VMQ)
EPDM
Wall mounting
Available on request
Crosshead screws, stainless steel
2.5 Nm
2.5 mm ²
400 V
T4, T5, T6
Key-operated switch
1 NC contact, 1 NO contacts
Key-operated switch, 3 switching positions, I - 0 - II, (I + II), latching, Key retractable
1 x M25
2017260000 - VG M25 EXE 12-17 CR 7J
12 mm / 17 mm
IEC 60079-0, IEC 60079-7, IEC 60079-31
IECEXITA14.0013X
TUEV14ATEX7606X
RUC-DE.TB08.B.01838
15.40082.250
2G Ex d e IIC T* Gb
2G Ex d ib [ia] IIC T* Gb
2D Ex tb IIIC T80/100 °C Db
9510910000 - MF POK big

Klippon® CS POK 121209-2



152 / 120 / 105 mm
Glass-fibre reinforced polyester with graphite mixture
untreated / similar to RAL 9011
IP54, IP66
-55 °C...+55 °C
4 joules in acc. with IEC60079-0
V-0
Silicone (VMQ)
EPDM
Wall mounting
Available on request
Crosshead screws, stainless steel
2.5 Nm
2.5 mm ²
250 V
T4, T5, T6
Illuminated pushbutton - green
2 NO contacts
Pushbutton
green
green
1 x M25
2017260000 - VG M25 EXE 12-17 CR 7J
12 mm / 17 mm
IEC 60079-0, IEC 60079-7, IEC 60079-31
IECEXITA14.0013X
TUEV14ATEX7606X
RUC-DE.TB08.B.01838
15.40082.250
2G Ex d e IIC T* Gb
2G Ex d ib [ia] IIC T* Gb
2D Ex tb IIIC T80/100 °C Db
9510910000 - MF POK big

Klippon® CS POK 121209-4



152 / 120 / 103 mm
Glass-fibre reinforced polyester with graphite mixture
untreated / similar to RAL 9011
IP54, IP66
-55 °C...+55 °C
7 joules in acc. with IEC60079-0
V-0
Silicone (VMQ)
EPDM
Wall mounting
Available on request
Crosshead screws, stainless steel
2.5 Nm
2.5 mm ²
400 V
T4, T5, T6
Pushbutton - red
Pushbutton - green
2 NC contact, 2 NO contacts
Pushbutton
red, green
1 x M25
2017260000 - VG M25 EXE 12-17 CR 7J
12 mm / 17 mm
IEC 60079-0, IEC 60079-7, IEC 60079-31
IECEXITA14.0013X
TUEV14ATEX7606X
RUC-DE.TB08.B.01838
15.40082.250
2G Ex d e IIC T* Gb
2G Ex d ib [ia] IIC T* Gb
2D Ex tb IIIC T80/100 °C Db
9510910000 - MF POK big

Type	Qty.	Order No.
KLIPPON CS POK 121209-2	1	1537090000

Type	Qty.	Order No.
KLIPPON CS POK 121209-2	1	1537100000

Type	Qty.	Order No.
KLIPPON CS POK 121209-4	1	1537110000

*Other temperature classes and connection values on request, or see "Notice to Installer".

*Other temperature classes and connection values on request, or see "Notice to Installer".

*Other temperature classes and connection values on request, or see "Notice to Installer".

Klippon® CS POK 121209-4



Klippon® CS POK 121209-4



Technical data

Enclosure	
Dimensions with installation (HxBxD)	152 / 120 / 112 mm
Material	Glass-fibre reinforced polyester with graphite mixture
General characteristics	
Surface finish / Colour	untreated / similar to RAL 9011
Protection class	IP54, IP66
Ambient temperature	-55 °C...+55 °C
Impact resistance	4 joules in acc. with IEC60079-0
UL 94 flammability rating	V-0
Enclosure seal material	Silicone (VMQ)
Seal material of operating and display elements	EPDM
Type of mounting	Wall mounting
External earth	Available on request
Lid attachment	Crosshead screws, stainless steel
Torque for lid screws	2.5 Nm
Electrical properties*	
Wire connection cross section, finely stranded, max.	2.5 mm ²
Operating voltage, max.	250 V
Temperature class	T4, T5, T6
Enclosure assembly	
1 Position in enclosure	Light module - green
2 Position in enclosure	Pushbutton - green
3 Position in enclosure	
4 Position in enclosure	
Contact design	1 NC contact, 1 NO contacts
Actuators	Pushbutton
Actuator colour	green
Illumination module colour	green
Illuminated button actuator colour	
Cable entries	
Drill holes side B	1 x M25
Cable gland	2017260000 - VG M25 EXE 12-17 CR 7J
Clamping range min. / max.	12 mm / 17 mm
Approval and Marking	
Standards	IEC 60079-0, IEC 60079-7, IEC 60079-31
Certificate No. (IECEX)	IECEXITA14.0013X
Certificate No. (ATEX)	TUEV14ATEX7606X
Certificate No. (EAC)	RUC-DE.TB08.B.01838
Certificate No. (MARITREG)	15.40082.250
Marking	2G Ex d e IIC T* Gb 2G Ex d ib [ia] IIC T* Gb 2D Ex tb IIIC T80/100 °C Db
Accessories	
Mounting feet	9510910000 - MF POK big

Enclosure	
Dimensions with installation (HxBxD)	152 / 120 / 112 mm
Material	Glass-fibre reinforced polyester with graphite mixture
General characteristics	
Surface finish / Colour	untreated / similar to RAL 9011
Protection class	IP54, IP66
Ambient temperature	-55 °C...+55 °C
Impact resistance	4 joules in acc. with IEC60079-0
UL 94 flammability rating	V-0
Enclosure seal material	Silicone (VMQ)
Seal material of operating and display elements	EPDM
Type of mounting	Wall mounting
External earth	Available on request
Lid attachment	Crosshead screws, stainless steel
Torque for lid screws	2.5 Nm
Electrical properties*	
Wire connection cross section, finely stranded, max.	2.5 mm ²
Operating voltage, max.	250 V
Temperature class	T4, T5, T6
Enclosure assembly	
1 Position in enclosure	Light module - green
2 Position in enclosure	Pushbutton - green
3 Position in enclosure	
4 Position in enclosure	
Contact design	1 NC contact, 1 NO contacts
Actuators	Pushbutton
Actuator colour	green
Illumination module colour	green
Illuminated button actuator colour	
Cable entries	
Drill holes side B	1 x M25
Cable gland	2017260000 - VG M25 EXE 12-17 CR 7J
Clamping range min. / max.	12 mm / 17 mm
Approval and Marking	
Standards	IEC 60079-0, IEC 60079-7, IEC 60079-31
Certificate No. (IECEX)	IECEXITA14.0013X
Certificate No. (ATEX)	TUEV14ATEX7606X
Certificate No. (EAC)	RUC-DE.TB08.B.01838
Certificate No. (MARITREG)	15.40082.250
Marking	2G Ex d e IIC T* Gb 2G Ex d ib [ia] IIC T* Gb 2D Ex tb IIIC T80/100 °C Db
Accessories	
Mounting feet	9510910000 - MF POK big

Enclosure	
Dimensions with installation (HxBxD)	152 / 120 / 128 mm
Material	Glass-fibre reinforced polyester with graphite mixture
General characteristics	
Surface finish / Colour	untreated / similar to RAL 9011
Protection class	IP54, IP66
Ambient temperature	-55 °C...+55 °C
Impact resistance	4 joules in acc. with IEC60079-0
UL 94 flammability rating	V-0
Enclosure seal material	Silicone (VMQ)
Seal material of operating and display elements	EPDM
Type of mounting	Wall mounting
External earth	Available on request
Lid attachment	Crosshead screws, stainless steel
Torque for lid screws	2.5 Nm
Electrical properties*	
Wire connection cross section, finely stranded, max.	2.5 mm ²
Operating voltage, max.	250 V
Temperature class	T4, T5, T6
Enclosure assembly	
1 Position in enclosure	Light module - red
2 Position in enclosure	EMERGENCY-STOP pushbutton with yellow, contrasting label
3 Position in enclosure	
4 Position in enclosure	
Contact design	2 NC contact, positive opening contacts
Actuators	EMERGENCY STOP pushbutton
Actuator colour	red
Illumination module colour	red
Illuminated button actuator colour	
Cable entries	
Drill holes side B	1 x M25
Cable gland	2017260000 - VG M25 EXE 12-17 CR 7J
Clamping range min. / max.	12 mm / 17 mm
Approval and Marking	
Standards	IEC 60079-0, IEC 60079-7, IEC 60079-31
Certificate No. (IECEX)	IECEXITA14.0013X
Certificate No. (ATEX)	TUEV14ATEX7606X
Certificate No. (EAC)	RUC-DE.TB08.B.01838
Certificate No. (MARITREG)	15.40082.250
Marking	2G Ex d e IIC T* Gb 2G Ex d ib [ia] IIC T* Gb 2D Ex tb IIIC T80/100 °C Db
Accessories	
Mounting feet	9510910000 - MF POK big

Note	
-------------	--

Ordering data

Type	Qty.	Order No.
KLIPPON CS POK 121209-4	1	1537120000

Type	Qty.	Order No.
KLIPPON CS POK 121209-4	1	1537130000

Note	*Other temperature classes and connection values on request, or see "Notice to Installer".
-------------	--

Note	*Other temperature classes and connection values on request, or see "Notice to Installer".
-------------	--

Klippon® CS POK 122209-2



250 / 120 / 112 mm
Glass-fibre reinforced polyester with graphite mixture
untreated / similar to RAL 9011
IP54, IP66
-55 °C...+55 °C
4 joules in acc. with IEC60079-0
V-0
Silicone (VMQ)
EPDM
Wall mounting
Available on request
Crosshead screws, stainless steel
2.5 Nm
2.5 mm ²
250 V
T4, T5, T6
Pushbutton - red
Light module - green
Pushbutton - green
2 NC contact, 2 NO contacts
Pushbutton
red, green
green
1 x M25
2017260000 - VG M25 EXE 12-17 CR 7J
12 mm / 17 mm
IEC 60079-0, IEC 60079-7, IEC 60079-31
IECEXITA14.0013X
TUEV14ATEX7606X
RUC-DE.TB08.B.01838
15.40082.250
2G Ex d e IIC T* Gb
2G Ex d ib [ia] IIC T* Gb
2D Ex tb IIIC T80/100 °C Db
9510910000 - MF POK big

Klippon® CS POK 122209-2



250 / 120 / 103 mm
Glass-fibre reinforced polyester with graphite mixture
untreated / similar to RAL 9011
IP54, IP66
-55 °C...+55 °C
7 joules in acc. with IEC60079-0
V-0
Silicone (VMQ)
EPDM
Wall mounting
Available on request
Crosshead screws, stainless steel
2.5 Nm
2.5 mm ²
400 V
T4, T5, T6
Pushbutton - green
Pushbutton - red
Pushbutton - green
3 NC contact, 3 NO contacts
Pushbutton
green, red
1 x M25
2017260000 - VG M25 EXE 12-17 CR 7J
12 mm / 17 mm
IEC 60079-0, IEC 60079-7, IEC 60079-31
IECEXITA14.0013X
TUEV14ATEX7606X
RUC-DE.TB08.B.01838
15.40082.250
2G Ex d e IIC T* Gb
2G Ex d ib [ia] IIC T* Gb
2D Ex tb IIIC T80/100 °C Db
9510910000 - MF POK big

Klippon® CS POK 122209-2



250 / 120 / 128 mm
Glass-fibre reinforced polyester with graphite mixture
untreated / similar to RAL 9011
IP54, IP66
-55 °C...+55 °C
7 joules in acc. with IEC60079-0
V-0
Silicone (VMQ)
EPDM
Wall mounting
Available on request
Crosshead screws, stainless steel
2.5 Nm
2.5 mm ²
400 V
T4, T5, T6
Pushbutton - green
Pushbutton - red
EMERGENCY-STOP pushbutton with yellow, contrasting label
2 NO contacts, 2 NC contact, positive opening contacts
Pushbutton, EMERGENCY STOP pushbutton
green, red
1 x M25
2017260000 - VG M25 EXE 12-17 CR 7J
12 mm / 17 mm
IEC 60079-0, IEC 60079-7, IEC 60079-31
IECEXITA14.0013X
TUEV14ATEX7606X
RUC-DE.TB08.B.01838
15.40082.250
2G Ex d e IIC T* Gb
2G Ex d ib [ia] IIC T* Gb
2D Ex tb IIIC T80/100 °C Db
9510910000 - MF POK big

Type	Qty.	Order No.
KLIPPON CS POK 122209-2	1	1537140000

Type	Qty.	Order No.
KLIPPON CS POK 122209-2	1	1537150000

Type	Qty.	Order No.
KLIPPON CS POK 122209-2	1	1537170000

*Other temperature classes and connection values on request, or see "Notice to Installer".

*Other temperature classes and connection values on request, or see "Notice to Installer".

*Other temperature classes and connection values on request, or see "Notice to Installer".

Klippon® CS POK 122209-4



B

Technical data

Enclosure	
Dimensions with installation (HxBxD)	250 / 120 / 112 mm
Material	Glass-fibre reinforced polyester with graphite mixture
General characteristics	
Surface finish / Colour	untreated / similar to RAL 9011
Protection class	IP54, IP66
Ambient temperature	-55 °C...+55 °C
Impact resistance	4 joules in acc. with IEC60079-0
UL 94 flammability rating	V-0
Enclosure seal material	Silicone (VMQ)
Seal material of operating and display elements	EPDM
Type of mounting	Wall mounting
External earth	Available on request
Lid attachment	Crosshead screws, stainless steel
Torque for lid screws	2.5 Nm
Electrical properties*	
Wire connection cross section, finely stranded, max.	2.5 mm ²
Operating voltage, max.	250 V
Temperature class	T4, T5, T6
Enclosure assembly	
1 Position in enclosure	Light module - red
2 Position in enclosure	Pushbutton - red
3 Position in enclosure	Light module - green
4 Position in enclosure	Pushbutton - green
Contact design	2 NC contact, 2 NO contacts
Actuators	Pushbutton
Actuator colour	green, red
Illumination module colour	red, green
Illuminated button actuator colour	
Cable entries	
Drill holes side B	1 x M25
Cable gland	2017260000 - VG M25 EXE 12-17 CR 7J
Clamping range min. / max.	12 mm / 17 mm
Approval and Marking	
Standards	IEC 60079-0, IEC 60079-7, IEC 60079-31
Certificate No. (IECEX)	IECEXITA14.0013X
Certificate No. (ATEX)	TUEV14ATEX7606X
Certificate No. (EAC)	RUC-DE.TB08.B.01838
Certificate No. (MARITREG)	15.40082.250
Marking	2G Ex d e IIC T* Gb 2G Ex d ib [ia] IIC T* Gb 2D Ex tb IIIC T80/100 °C Db
Accessories	
Mounting feet	9510910000 - MF POK big

Note	
-------------	--

Ordering data

Type	Qty.	Order No.
KLIPPON CS POK 122209-4	1	1537180000

Note	*Other temperature classes and connection values on request, or see "Notice to Installer".
-------------	--

Reliable stability for all applications

Klippon® Protect – convincing with impact-resistant aluminium enclosures

Aluminium enclosures (Klippon® K) can be used with a wide range of applications and are ideally suited for the assembly of terminal blocks, switches, power supplies, operating and display elements or electronic modules. Available in aluminium alloy and powder coated RAL 7001. The mounting holes are located outside the sealing area, while a corresponding thread enables mounting rails and mounting plates to be affixed.

B

Additional features:

- Standardised enclosure with integrated threaded holes
- Cover attachment with corrosion-resistant Torx slothead screws
- Fastening by means of mounting feet or internal mounting holes
- Splice-free seals for optimum ingress protection up to IP 66



Technical data

Material	Aluminium alloy (AL-Si12)
Surface finish	Powder-coated
Colour	RAL 7001
IP protection class	IP 54; IP 66
Ambient temperature	-55 °C to 55 °C
Seal material of enclosure	Silicone (VMQ)
Seal material of command and signalling units	EPDM
Flammability rating	-
Impact resistance IK	7 joules in acc. with IEC60079-0 4 joules in acc. with IEC60079-0 with integrated illuminated pushbutton or light module
Cable gland material	Nickel-plated brass
Cable gland clamping area min. - max. in mm	
M20	3-12 mm
M25	10-18 mm
Max. rated cross-section	2.5 mm ²
Max. operating voltage with integrated illuminated pushbutton or light module	400 V
Maximum operating current at 40 °C ambient temperature	250 V
1.5 mm ² - T6	10 A
1.5 mm ² - T5	16 A
2.5 mm ² - T6	16 A
Maximum operating current at 55 °C ambient temperature	
1.5 mm ² - T4	16 A
1.5 mm ² - T5	10 A
2.5 mm ² - T5	16 A
Temperature class	T4, T5, T6
Type of mounting	Wall mounting
Earthing inside	Earth terminal
Lid attachment	Torx® 20 slothead screws
Lid screw torque	2.5 Nm
Earthing torque	2.5 Nm
Earthing outside	M4 earthing studs, stainless steel
Approvals	IECEXITA14.0013X TUEV14ATEX7606X MARITREG 15.40082.250
Marking	2G Ex e d IIC T* Gb 2G Ex ib d [ia] IIC T* Gb 2D Ex tb IIC T80/100 °C Db
Mounting feet	9527590000

Aluminium

Material	Aluminium alloy (AL-Si12)
Surface finish	Powder-coated
Colour	RAL 7001
IP protection class	IP 54; IP 66
Ambient temperature	-55 °C to 55 °C
Seal material of enclosure	Silicone (VMQ)
Seal material of command and signalling units	EPDM
Flammability rating	-
Impact resistance IK	7 joules in acc. with IEC60079-0 4 joules in acc. with IEC60079-0 with integrated illuminated pushbutton or light module
Cable gland material	Nickel-plated brass
Cable gland clamping area min. - max. in mm	
M20	3-12 mm
M25	10-18 mm
Max. rated cross-section	2.5 mm ²
Max. operating voltage with integrated illuminated pushbutton or light module	400 V
Maximum operating current at 40 °C ambient temperature	250 V
1.5 mm ² - T6	10 A
1.5 mm ² - T5	16 A
2.5 mm ² - T6	16 A
Maximum operating current at 55 °C ambient temperature	
1.5 mm ² - T4	16 A
1.5 mm ² - T5	10 A
2.5 mm ² - T5	16 A
Temperature class	T4, T5, T6
Type of mounting	Wall mounting
Earthing inside	Earth terminal
Lid attachment	Torx® 20 slothead screws
Lid screw torque	2.5 Nm
Earthing torque	2.5 Nm
Earthing outside	M4 earthing studs, stainless steel
Approvals	IECEXITA14.0013X TUEV14ATEX7606X MARITREG 15.40082.250
Marking	2G Ex e d IIC T* Gb 2G Ex ib d [ia] IIC T* Gb 2D Ex tb IIC T80/100 °C Db
Mounting feet	9527590000



	Number of built-in components				Emergency stop pushbutton red	Key switch I - 0 - II	Pushbutton		Illuminated pushbutton		Light module		Dimensions with built-in components WxHxD in mm	Designation	Cable gland	Order number	
	•	•	•	•			red	green	red	green	red	green					
Aluminium	•				1								120x148.81x118.45	KLIPPON CS K41-1	VG M20	1537470000	
	•						1						120x148.81x94.1	KLIPPON CS K41-1	VG M20	1537480000	
	•					1							120x122x117	KLIPPON CS K41-1	VG M20	1537490000	
	•									1			120x148.81x95.8	KLIPPON CS K41-1	VG M20	1537500000	
	•							1	1				120x152.21x94.1	KLIPPON CS K41-4	VG M25	1537510000	
	•								1		1		120x152.21x102.7	KLIPPON CS K41-4	VG M25	1537520000	
	•				1							1	120x152.21x118.45	KLIPPON CS K41-4	VG M25	1537530000	
		•						1	1			1	120x250.21x102.7	KLIPPON CS K51-2	VG M25	1537540000	
			•					1	2				120x250.21x94.1	KLIPPON CS K51-2	VG M25	1537550000	
				•	1			1	1				120x250.21x118.45	KLIPPON CS K51-2	VG M25	1537570000	
								1	1		1	1	120x250.21x102.7	KLIPPON CS K51-4	VG M25	1537580000	

Klippon® CS K41-1



Klippon® CS K41-1



Technical data

Enclosure	
Dimensions with installation (HxBxD)	149 / 120 / 119 mm
Material	Aluminium AlSi12
General characteristics	
Surface finish / Colour	Powder-coated / Silver grey
Protection class	IP54, IP66
Ambient temperature	-55 °C...+55 °C
Impact resistance	7 joules in acc. with IEC60079-0
Enclosure seal material	Silicone (VMQ)
Seal material of operating and display elements	EPDM
Type of mounting	Wall mounting
Internal earth	Earth terminal
External earth	M4 earthing studs, stainless steel
Lid attachment	Torx®-20 slothead screws
Torque for lid screws	2.5 Nm
Earth stud torque	2.5 Nm
Electrical properties*	
Wire connection cross section, finely stranded, max.	2.5 mm ²
Operating voltage, max.	400 V
Temperature class	T4, T5, T6
Enclosure assembly	
1 Position in enclosure	EMERGENCY-STOP pushbutton with yellow, contrasting label
2 Position in enclosure	
3 Position in enclosure	
4 Position in enclosure	
Contact design	2 NC contact, positive opening contacts
Actuators	EMERGENCY STOP pushbutton
Actuator colour	red
Illumination module colour	
Illuminated button actuator colour	
Cable entries	
Drill holes side B	1 x M20
Cable gland	1460050000 - VG M20 EXE MS
Clamping range min. / max.	3 mm / 12 mm
Approval and Marking	
Standards	IEC 60079-0, IEC 60079-7, IEC 60079-31
Certificate No. (IECEX)	IECEXITA14.0013X
Certificate No. (ATEX)	TUEV14ATEX7606X
Certificate No. (EAC)	RUC-DE.TB08.B.01838
Certificate No. (MARITREG)	15.40082.250
Marking	2G Ex d e IIC T* Gb 2G Ex d ib [ia] IIC T* Gb 2D Ex tb IIIC T80/100 °C Db
Accessories	
Mounting feet	9527590000 - KLIPPON K MF KIT 25

Enclosure	
Dimensions with installation (HxBxD)	149 / 120 / 94 mm
Material	Aluminium AlSi12
General characteristics	
Surface finish / Colour	Powder-coated / Silver grey
Protection class	IP54, IP66
Ambient temperature	-55 °C...+55 °C
Impact resistance	7 joules in acc. with IEC60079-0
Enclosure seal material	Silicone (VMQ)
Seal material of operating and display elements	EPDM
Type of mounting	Wall mounting
Internal earth	Earth terminal
External earth	M4 earthing studs, stainless steel
Lid attachment	Torx®-20 slothead screws
Torque for lid screws	2.5 Nm
Earth stud torque	2.5 Nm
Electrical properties*	
Wire connection cross section, finely stranded, max.	2.5 mm ²
Operating voltage, max.	400 V
Temperature class	T4, T5, T6
Enclosure assembly	
1 Position in enclosure	Pushbutton - green
2 Position in enclosure	
3 Position in enclosure	
4 Position in enclosure	
Contact design	1 NC contact, 1 NO contacts
Actuators	Pushbutton
Actuator colour	green
Illumination module colour	
Illuminated button actuator colour	
Cable entries	
Drill holes side B	1 x M20
Cable gland	1460050000 - VG M20 EXE MS
Clamping range min. / max.	3 mm / 12 mm
Approval and Marking	
Standards	IEC 60079-0, IEC 60079-7, IEC 60079-31
Certificate No. (IECEX)	IECEXITA14.0013X
Certificate No. (ATEX)	TUEV14ATEX7606X
Certificate No. (EAC)	RUC-DE.TB08.B.01838
Certificate No. (MARITREG)	15.40082.250
Marking	2G Ex d e IIC T* Gb 2G Ex d ib [ia] IIC T* Gb 2D Ex tb IIIC T80/100 °C Db
Accessories	
Mounting feet	9527590000 - KLIPPON K MF KIT 25

Enclosure	
Dimensions with installation (HxBxD)	149 / 120 / 94 mm
Material	Aluminium AlSi12
General characteristics	
Surface finish / Colour	Powder-coated / Silver grey
Protection class	IP54, IP66
Ambient temperature	-55 °C...+55 °C
Impact resistance	7 joules in acc. with IEC60079-0
Enclosure seal material	Silicone (VMQ)
Seal material of operating and display elements	EPDM
Type of mounting	Wall mounting
Internal earth	Earth terminal
External earth	M4 earthing studs, stainless steel
Lid attachment	Torx®-20 slothead screws
Torque for lid screws	2.5 Nm
Earth stud torque	2.5 Nm
Electrical properties*	
Wire connection cross section, finely stranded, max.	2.5 mm ²
Operating voltage, max.	400 V
Temperature class	T4, T5, T6
Enclosure assembly	
1 Position in enclosure	Pushbutton - green
2 Position in enclosure	
3 Position in enclosure	
4 Position in enclosure	
Contact design	1 NC contact, 1 NO contacts
Actuators	Pushbutton
Actuator colour	green
Illumination module colour	
Illuminated button actuator colour	
Cable entries	
Drill holes side B	1 x M20
Cable gland	1460050000 - VG M20 EXE MS
Clamping range min. / max.	3 mm / 12 mm
Approval and Marking	
Standards	IEC 60079-0, IEC 60079-7, IEC 60079-31
Certificate No. (IECEX)	IECEXITA14.0013X
Certificate No. (ATEX)	TUEV14ATEX7606X
Certificate No. (EAC)	RUC-DE.TB08.B.01838
Certificate No. (MARITREG)	15.40082.250
Marking	2G Ex d e IIC T* Gb 2G Ex d ib [ia] IIC T* Gb 2D Ex tb IIIC T80/100 °C Db
Accessories	
Mounting feet	9527590000 - KLIPPON K MF KIT 25

Note	
-------------	--

Ordering data

Type	Qty.	Order No.
KLIPPON CS K41-1	1	1537470000

Type	Qty.	Order No.
KLIPPON CS K41-1	1	1537480000

Note	*Other temperature classes and connection values on request, or see "Notice to Installer".
-------------	--

Note	*Other temperature classes and connection values on request, or see "Notice to Installer".
-------------	--

Klippon® CS K41-1



149 / 120 / 108 mm
Aluminium AISi12
Powder-coated / Silver grey
IP54, IP65
-55 °C...+55 °C
7 joules in acc. with IEC60079-0
Silicone (VMQ)
EPDM
Wall mounting
Earth terminal
M4 earthing studs, stainless steel
Torx®-20 slothead screws
2.5 Nm
2.5 Nm
2.5 mm ²
400 V
T4, T5, T6
Key-operated switch
1 NC contact, 1 NO contacts
Key-operated switch, 3 switching positions, I - 0 - II, (I + II), latching, Key retractable
1 x M20
1460050000 - VG M20 EXE MS
3 mm / 12 mm
IEC 60079-0, IEC 60079-7, IEC 60079-31
IECEXITA14.0013X
TUEV14ATEX7606X
RUC-DE.TB08.B.01838
15.40082.250
2G Ex d e IIC T* Gb
2G Ex d ib [ia] IIC T* Gb
2D Ex tb IIIC T80/100 °C Db
9527590000 - KLIPPON K MF KIT 25

Klippon® CS K41-1



149 / 120 / 96 mm
Aluminium AISi12
Powder-coated / Silver grey
IP54, IP66
-55 °C...+55 °C
4 joules in acc. with IEC60079-0
Silicone (VMQ)
EPDM
Wall mounting
Earth terminal
M4 earthing studs, stainless steel
Torx®-20 slothead screws
2.5 Nm
2.5 Nm
2.5 mm ²
250 V
T4, T5, T6
Illuminated pushbutton - green
2 NO contacts
Pushbutton
green
green
1 x M20
1460050000 - VG M20 EXE MS
3 mm / 12 mm
IEC 60079-0, IEC 60079-7, IEC 60079-31
IECEXITA14.0013X
TUEV14ATEX7606X
RUC-DE.TB08.B.01838
15.40082.250
2G Ex d e IIC T* Gb
2G Ex d ib [ia] IIC T* Gb
2D Ex tb IIIC T80/100 °C Db
9527590000 - KLIPPON K MF KIT 25

Klippon® CS K41-4



152 / 120 / 119 mm
Aluminium AISi12
Powder-coated / Silver grey
IP54, IP66
-55 °C...+55 °C
7 joules in acc. with IEC60079-0
Silicone (VMQ)
EPDM
Wall mounting
Earth terminal
M4 earthing studs, stainless steel
Torx®-20 slothead screws
2.5 Nm
2.5 Nm
2.5 mm ²
400 V
T4, T5, T6
Pushbutton - red
Pushbutton - green
2 NC contact, 2 NO contacts
Pushbutton
red, green
1 x M25
1460070000 - VG M25 EXE MS
10 mm / 18 mm
IEC 60079-0, IEC 60079-7, IEC 60079-31
IECEXITA14.0013X
TUEV14ATEX7606X
RUC-DE.TB08.B.01838
15.40082.250
2G Ex d e IIC T* Gb
2G Ex d ib [ia] IIC T* Gb
2D Ex tb IIIC T80/100 °C Db
9527590000 - KLIPPON K MF KIT 25

Type	Qty.	Order No.
KLIPPON CS K41-1	1	1537490000

Type	Qty.	Order No.
KLIPPON CS K41-1	1	1537500000

Type	Qty.	Order No.
KLIPPON CS K41-4	1	1537510000

*Other temperature classes and connection values on request, or see "Notice to Installer".

*Other temperature classes and connection values on request, or see "Notice to Installer".

*Other temperature classes and connection values on request, or see "Notice to Installer".

Klippon® CS K41-4



Klippon® CS K41-4



Technical data

Enclosure	
Dimensions with installation (HxBxD)	152 / 120 / 103 mm
Material	Aluminium AlSi12
General characteristics	
Surface finish / Colour	Powder-coated / Silver grey
Protection class	IP54, IP66
Ambient temperature	-55 °C...+55 °C
Impact resistance	4 joules in acc. with IEC60079-0
Enclosure seal material	Silicone (VMQ)
Seal material of operating and display elements	EPDM
Type of mounting	Wall mounting
Internal earth	Earth terminal
External earth	M4 earthing studs, stainless steel
Lid attachment	Torx®-20 slothead screws
Torque for lid screws	2.5 Nm
Earth stud torque	2.5 Nm
Electrical properties*	
Wire connection cross section, finely stranded, max.	2.5 mm ²
Operating voltage, max.	250 V
Temperature class	T4, T5, T6
Enclosure assembly	
1 Position in enclosure	Light module - green
2 Position in enclosure	Pushbutton - green
3 Position in enclosure	
4 Position in enclosure	
Contact design	1 NC contact, 1 NO contacts
Actuators	Pushbutton
Actuator colour	green
Illumination module colour	green
Illuminated button actuator colour	
Cable entries	
Drill holes side B	1 x M25
Cable gland	1460070000 - VG M25 EXE MS
Clamping range min. / max.	10 mm / 18 mm
Approval and Marking	
Standards	IEC 60079-0, IEC 60079-7, IEC 60079-31
Certificate No. (IECEX)	IECEXITA14.0013X
Certificate No. (ATEX)	TUEV14ATEX7606X
Certificate No. (EAC)	RUC-DE.TB08.B.01838
Certificate No. (MARITREG)	15.40082.250
Marking	2G Ex d e IIC T* Gb 2G Ex d ib [ia] IIC T* Gb 2D Ex tb IIIC T80/100 °C Db
Accessories	
Mounting feet	9527590000 - KLIPPON K MF KIT 25

Enclosure		
Dimensions with installation (HxBxD)	152 / 120 / 103 mm	
Material	Aluminium AlSi12	
General characteristics		
Surface finish / Colour	Powder-coated / Silver grey	
Protection class	IP54, IP66	
Ambient temperature	-55 °C...+55 °C	
Impact resistance	4 joules in acc. with IEC60079-0	
Enclosure seal material	Silicone (VMQ)	
Seal material of operating and display elements	EPDM	
Type of mounting	Wall mounting	
Internal earth	Earth terminal	
External earth	M4 earthing studs, stainless steel	
Lid attachment	Torx®-20 slothead screws	
Torque for lid screws	2.5 Nm	
Earth stud torque	2.5 Nm	
Electrical properties*		
Wire connection cross section, finely stranded, max.	2.5 mm ²	
Operating voltage, max.	250 V	
Temperature class	T4, T5, T6	
Enclosure assembly		
1 Position in enclosure	Light module - green	
2 Position in enclosure	Pushbutton - green	
3 Position in enclosure		
4 Position in enclosure		
Contact design	1 NC contact, 1 NO contacts	
Actuators	Pushbutton	
Actuator colour	green	
Illumination module colour	green	
Illuminated button actuator colour		
Cable entries		
Drill holes side B	1 x M25	
Cable gland	1460070000 - VG M25 EXE MS	
Clamping range min. / max.	10 mm / 18 mm	
Approval and Marking		
Standards	IEC 60079-0, IEC 60079-7, IEC 60079-31	
Certificate No. (IECEX)	IECEXITA14.0013X	
Certificate No. (ATEX)	TUEV14ATEX7606X	
Certificate No. (EAC)	RUC-DE.TB08.B.01838	
Certificate No. (MARITREG)	15.40082.250	
Marking	2G Ex d e IIC T* Gb 2G Ex d ib [ia] IIC T* Gb 2D Ex tb IIIC T80/100 °C Db	
Accessories		
Mounting feet	9527590000 - KLIPPON K MF KIT 25	

Enclosure		
Dimensions with installation (HxBxD)	152 / 120 / 119 mm	
Material	Aluminium AlSi12	
General characteristics		
Surface finish / Colour	Powder-coated / Silver grey	
Protection class	IP54, IP66	
Ambient temperature	-55 °C...+55 °C	
Impact resistance	4 joules in acc. with IEC60079-0	
Enclosure seal material	Silicone (VMQ)	
Seal material of operating and display elements	EPDM	
Type of mounting	Wall mounting	
Internal earth	Earth terminal	
External earth	M4 earthing studs, stainless steel	
Lid attachment	Torx®-20 slothead screws	
Torque for lid screws	2.5 Nm	
Earth stud torque	2.5 Nm	
Electrical properties*		
Wire connection cross section, finely stranded, max.	2.5 mm ²	
Operating voltage, max.	250 V	
Temperature class	T4, T5, T6	
Enclosure assembly		
1 Position in enclosure	Light module - red	
2 Position in enclosure	EMERGENCY-STOP pushbutton with yellow, contrasting label	
3 Position in enclosure		
4 Position in enclosure		
Contact design	2 NC contact, positive opening contacts	
Actuators	EMERGENCY STOP pushbutton	
Actuator colour	red	
Illumination module colour		
Illuminated button actuator colour		
Cable entries		
Drill holes side B	1 x M25	
Cable gland	1460070000 - VG M25 EXE MS	
Clamping range min. / max.	10 mm / 18 mm	
Approval and Marking		
Standards	IEC 60079-0, IEC 60079-7, IEC 60079-31	
Certificate No. (IECEX)	IECEXITA14.0013X	
Certificate No. (ATEX)	TUEV14ATEX7606X	
Certificate No. (EAC)	RUC-DE.TB08.B.01838	
Certificate No. (MARITREG)	15.40082.250	
Marking	2G Ex d e IIC T* Gb 2G Ex d ib [ia] IIC T* Gb 2D Ex tb IIIC T80/100 °C Db	
Accessories		
Mounting feet	9527590000 - KLIPPON K MF KIT 25	

Note

--

--

Ordering data

--

Type	Qty.	Order No.
KLIPPON CS K41-4	1	1537520000

Type	Qty.	Order No.
KLIPPON CS K41-4	1	1537530000

Note

*Other temperature classes and connection values on request, or see "Notice to Installer".
--

*Other temperature classes and connection values on request, or see "Notice to Installer".
--

Klippon® CS K51-2



250 / 120 / 103 mm
Aluminium AISi12
Powder-coated / Silver grey
IP54, IP66
-55 °C...+55 °C
4 joules in acc. with IEC60079-0
Silicone (VMQ)
EPDM
Wall mounting
Earth terminal
M4 earthing studs, stainless steel
Torx®-20 slothead screws
2.5 Nm
2.5 Nm
2.5 mm ²
250 V
T4, T5, T6
Pushbutton - red
Light module - green
Pushbutton - green
2 NC contact, 2 NO contacts
Pushbutton
red, green
green
1 x M25
1460070000 - VG M25 EXE MS
10 mm / 18 mm
IEC 60079-0, IEC 60079-7, IEC 60079-31
IECEXITA14.0013X
TUEV14ATEX7606X
RUC-DE.TB08.B.01838
15.40082.250
2G Ex d e IIC T* Gb
2G Ex d ib [ia] IIC T* Gb
2D Ex tb IIIC T80/100 °C Db
9527590000 - KLIPPON K MF KIT 25

Klippon® CS K51-2



250 / 120 / 94 mm
Aluminium AISi12
Powder-coated / Silver grey
IP54, IP66
-55 °C...+55 °C
7 joules in acc. with IEC60079-0
Silicone (VMQ)
EPDM
Wall mounting
Earth terminal
M4 earthing studs, stainless steel
Torx®-20 slothead screws
2.5 Nm
2.5 Nm
2.5 mm ²
400 V
T4, T5, T6
Pushbutton - green
Pushbutton - red
Pushbutton - green
3 NC contact, 3 NO contacts
Pushbutton
green, red
1 x M25
1460070000 - VG M25 EXE MS
10 mm / 18 mm
IEC 60079-0, IEC 60079-7, IEC 60079-31
IECEXITA14.0013X
TUEV14ATEX7606X
RUC-DE.TB08.B.01838
15.40082.250
2G Ex d e IIC T* Gb
2G Ex d ib [ia] IIC T* Gb
2D Ex tb IIIC T80/100 °C Db
9527590000 - KLIPPON K MF KIT 25

Klippon® CS K51-2



250 / 120 / 119 mm
Aluminium AISi12
Powder-coated / Silver grey
IP54, IP66
-55 °C...+55 °C
7 joules in acc. with IEC60079-0
Silicone (VMQ)
EPDM
Wall mounting
Earth terminal
M4 earthing studs, stainless steel
Torx®-20 slothead screws
2.5 Nm
2.5 Nm
2.5 mm ²
400 V
T4, T5, T6
Pushbutton - green
Pushbutton - red
EMERGENCY-STOP pushbutton with yellow, contrasting label
2 NO contacts, 2 NC contact, positive opening contacts
Pushbutton, EMERGENCY STOP pushbutton
green, red
1 x M25
1460070000 - VG M25 EXE MS
10 mm / 18 mm
IEC 60079-0, IEC 60079-7, IEC 60079-31
IECEXITA14.0013X
TUEV14ATEX7606X
RUC-DE.TB08.B.01838
15.40082.250
2G Ex d e IIC T* Gb
2G Ex d ib [ia] IIC T* Gb
2D Ex tb IIIC T80/100 °C Db
9527590000 - KLIPPON K MF KIT 25

Type	Qty.	Order No.
KLIPPON CS K51-2	1	1537540000

Type	Qty.	Order No.
KLIPPON CS K51-2	1	1537550000

Type	Qty.	Order No.
KLIPPON CS K51-2	1	1537570000

*Other temperature classes and connection values on request, or see "Notice to Installer".

*Other temperature classes and connection values on request, or see "Notice to Installer".

*Other temperature classes and connection values on request, or see "Notice to Installer".

Klippon® CS K51-4



Technical data

Enclosure		
Dimensions with installation (HxBxD)	250 / 120 / 103 mm	
Material	Aluminium AlSi12	
General characteristics		
Surface finish / Colour	Powder-coated / Silver grey	
Protection class	IP54, IP66	
Ambient temperature	-55 °C...+55 °C	
Impact resistance	4 joules in acc. with IEC60079-0	
Enclosure seal material	Silicone (VMQ)	
Seal material of operating and display elements	EPDM	
Type of mounting	Wall mounting	
Internal earth	Earth terminal	
External earth	M4 earthing studs, stainless steel	
Lid attachment	Torx®-20 slothead screws	
Torque for lid screws	2.5 Nm	
Earth stud torque	2.5 Nm	
Electrical properties*		
Wire connection cross section, finely stranded, max.	2.5 mm ²	
Operating voltage, max.	250 V	
Temperature class	T4, T5, T6	
Enclosure assembly		
1 Position in enclosure	Light module - red	
2 Position in enclosure	Pushbutton - red	
3 Position in enclosure	Light module - green	
4 Position in enclosure	Pushbutton - green	
Contact design	2 NC contact, 2 NO contacts	
Actuators	Pushbutton	
Actuator colour	green, red	
Illumination module colour	red, green	
Illuminated button actuator colour		
Cable entries		
Drill holes side B	1 x M25	
Cable gland	1460070000 - VG M25 EXE MS	
Clamping range min. / max.	10 mm / 18 mm	
Approval and Marking		
Standards	IEC 60079-0, IEC 60079-7, IEC 60079-31	
Certificate No. (IECEX)	IECEXITA14.0013X	
Certificate No. (ATEX)	TUEV14ATEX7606X	
Certificate No. (EAC)	RUC-DE.TB08.B.01838	
Certificate No. (MARITREG)	15.40082.250	
Marking	2G Ex d e IIC T* Gb 2G Ex d ib [ia] IIC T* Gb 2D Ex tb IIC T80/100 °C Db	
Accessories		
Mounting feet	9527590000 - KLIPPON K MF KIT 25	
Note		
Ordering data		
Type	Qty.	Order No.
KLIPPON CS K51-4	1	1537580000
Note		
*Other temperature classes and connection values on request, or see "Notice to Installer".		

Klippon® Protect – Terminal Boxes – Product overview Steel enclosures

Various types of terminal boxes are available for installing signal / power supplies or distributors in explosive risk zones.

The terminal boxes are explosion-protected equipment approved for use in Ex areas in zones 0, 1, 2 and 20, 21, 22.

They are certified in accordance with the latest international standards Ex e, Ex ia and Ex tb. Customer-specific configuration means these terminal boxes are the optimum solution for all applications. Use the product overview to find the right solution for you!

Combine the enclosure, with or without threaded holes, a suitable mounting rail or pre-fitted strip terminals.

We have put together a small selection for you, but we are happy to configure a bespoke solution for you.

Features:

- Available in a wide range of versions to meet customer requirements
- Additional international approvals alongside IECEx, ATEX and EAC also available
- Increased quality thanks to the use of established basic products in the Klippon® brand



Overview of enclosures

Terminal boxes based on the Klippon® TB range of enclosures

Description	Height x width x depth in mm	Marking	Approval	Order No.
KTb MH 221513 Exia	229 x 152 x 133	Ex ia IIC T4 Ga	IECEx, ATEX, EAC	8000028398
KTb MH 262615 Exia	260 x 260 x 150	Ex ia IIC T4 Ga	IECEx, ATEX, EAC	8000028399
KTb QL 303020 Exe	306 x 306 x 200	Ex e IIC T6 Gb	IECEx, ATEX, EAC	8000028400
KTb QL 484820 Exe	480 x 480 x 200	Ex e IIC T6 Gb	IECEx, ATEX, EAC	8000028401
Note				

Terminal boxes based on the Klippon® STB range of enclosures

Description	Height x width x depth in mm	Marking	Approval	Order No.
STB 1 Exia	120 x 120 x 80	Ex ia IIC T4 Ga	IECEx, ATEX, EAC	8000028394
STB 2 Exe	150 x 150 x 90	Ex e IIC T6 Gb	IECEx, ATEX, EAC	8000028395
STB 3 Exe	190 x 190 x 100	Ex e IIC T6 Gb	IECEx, ATEX, EAC	8000028396
STB 4 Exe	250 x 250 x 120	Ex e IIC T6 Gb	IECEx, ATEX, EAC	8000028397
Note				

Technical Overview

Technical data

Enclosures	
Material	Stainless steel 1.4404 (316L) 1.5 mm
Surface finish	Electropolished (Klippon® TB) and mirror-polished (Klippon® STB)
IP protection class	IP 66 / IP 67
Gasket material	Silicone
Terminal block	
Material	Wemid
Colour	beige, blue or green/yellow
Connection system	screw connection
Clampable wires (H05V/H07V)	solid, flexible and flexible with ferrule
Note	

Approvals for Klippon® TB

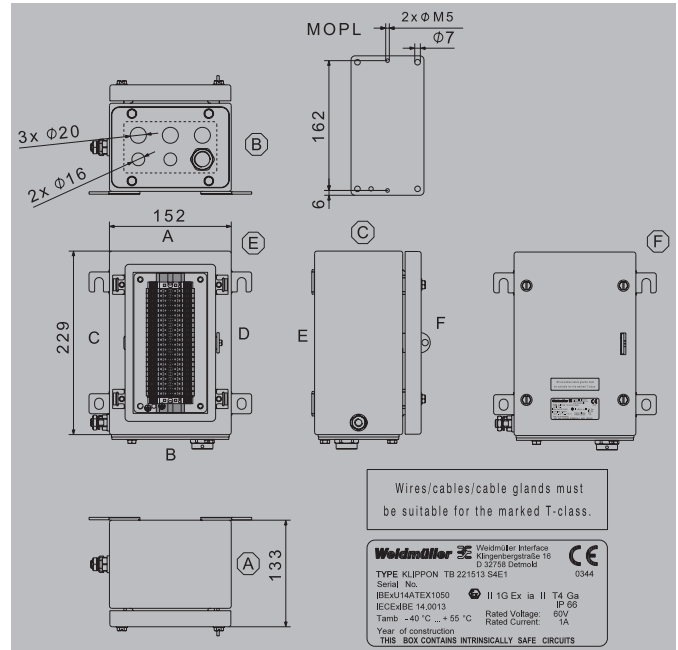
ATEX certificate	IBExU14ATEX1050
IECEX certificate	IECEX IBE 14.0013
EAC certificate	RUC-DE.08.B.01328
Note	Labelling depends on the application layout. For details of power dissipation, please contact your Weidmüller representative.

Approvals for Klippon® STB

ATEX certificate	IBExU07ATEX1148
IECEX certificate	IECEX IBE 09.0019
EAC certificate	RUC-DE.08.B.01328
Note	Labelling depends on the application layout. For details of power dissipation, please contact your Weidmüller representative.

Klippon® TB MH 221513 Ex ia Terminal Box

Depth 133 mm



Height / Width / Depth 229 / 152 / 133 mm

Ordering data

	Order No.
KTB MH 221513 Exia	8000028398

Note

Technical data

Article - short description	Klippon® Klippon TB MH (Terminal Box - Multi Hinge)- Enclosure systems, Terminal Box
Marking [assembled enclosure]	Ex ia IIC T4 Ga
Certificate no. assembled enclosure (ATEX)	IBEXU14ATEX1050
Certificate no. assembled enclosure (IECEx)	IECEx IBE 14.0013
Standards	IEC 60079-0, IEC 60079-7, IEC 60079-11, IEC 60079-26, IEC 60079-31, EN 60079-0, EN 60079-7, EN 60079-11, EN 60079-26, EN 60079-31
Ambient temperature	Tamb -40°C...+55°C
Type label material	Polyester coated with aluminium
Protection class	IP66, NEMA 4, NEMA 4x
Assembly	
Modular terminal blocks	1x22
Rated cross-section	4 mm²
Rated voltage	60 V
Rated current	1.00 A
Drill holes side A	None
Drill holes side B	2 x M16, 3 x M20, 1 x BDX
Technical data, enclosure	
Material thickness	1.5 mm
Material thickness of flange	3 mm
Gland plates	Bottom
Seal material	Silicone
Enclosure attachment	4 welded-on mounting feet with 11 mm hole size
Mounting dimension - height / width	152 mm / 178 mm
Lid attachment	4 hinges and M6 hex-head slotted screws SW10
Access opening: height / Access opening: width	176 mm / 93 mm
Earth, enclosure, external	Continuous M10 earth stud in body enclosure
Earth, enclosure, internal	Welded-on M6 stainless-steel earth stud in enclosure body and lid.

Note

Accessories

Mounting plates and fastening screws	Order No.
Stainless steel 1.4301	1193810000
Fastening screws for mounting plates	0642600000
Gland plate 3 mm	
Top and bottom sides (A & B), electropolished stainless steel 1.4404	1280890000
Gland plates and screws - 6 mm	
Top and bottom sides (A & B), electropolished stainless steel 1.4404	1256270000
Mounting screw, stainless steel 1.4404	1253230000
Rain hoods	
Stainless steel 1.4301, mirror-polished	1281360000
Label holder	
70 x 70 angled stainless steel 1.4301	1279320000
Earthing stud	
Stainless steel 1.4404, M10	1192690000
Compensation elements	
M20, brass	1292540000
M20, stainless steel 1.4404 (316L)	1292530000
Cable glands	
Nickel-plated brass, Ex e, M16, 3-12 mm	1460040000
Nickel-plated brass, Ex e, M20, 3-12 mm	1460050000
Blanking plugs	
Stainless steel 1.4404 (316L), Ex e, M16	1477820000
Stainless steel 1.4404 (316L), Ex e, M20	1477840000
Locknuts	
Nickel-plated brass, M16	1736990000
Nickel-plated brass, M20	1737000000
Grounding strap	
green-yellow, 6 mm² for M6 bolt	2475490000
Note	

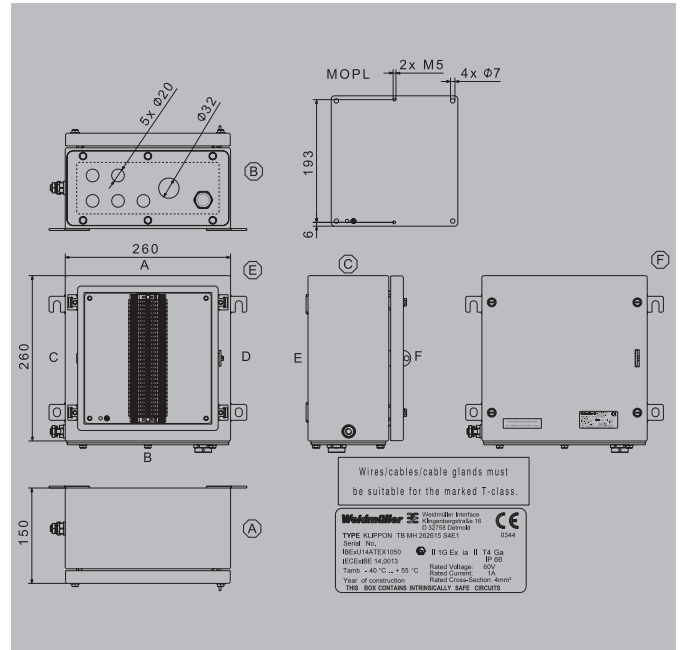
Reference products

	Order No.
KTB MH 221513 S4E1	1194560000
WDU 4 BL	1020180000

Note

Klippon® TB MH 262615 Ex ia Terminal Box

Depth 150 mm



Height / Width / Depth 260 / 260 / 150 mm

Ordering data

	Order No.
KTB MH 262615 Exia	8000028399

Note

Technical data

Article - short description	Klippon® Klippon TB MH (Terminal Box - Multi Hinge)- Enclosure systems, Terminal Box
Marking [assembled enclosure]	Ex ia IIC T4 Ga
Certificate no. assembled enclosure (ATEX)	IBEXU14ATEX1050
Certificate no. assembled enclosure (IECEX)	IECEX IBE 14.0013
Standards	IEC 60079-0, IEC 60079-7, IEC 60079-11, IEC 60079-26, IEC 60079-31, EN 60079-0, EN 60079-7, EN 60079-11, EN 60079-26, EN 60079-31
Ambient temperature	Tamb -40°C...+55°C
Type label material	Polyester coated with aluminium
Protection class	IP66, NEMA 4, NEMA 4x
Assembly	
Modular terminal blocks	1x30
Rated cross-section	4 mm²
Rated voltage	60 V
Rated current	1.00 A
Drill holes side A	None
Drill holes side B	5 x M20, 1 x M32, 1 x BDX
Technical data, enclosure	
Material thickness	1.5 mm
Material thickness of flange	3 mm
Gland plates	Bottom
Seal material	Silicone
Enclosure attachment	4 welded-on mounting feet with 11 mm hole size
Mounting dimension - height / width	170 mm / 286 mm
Lid attachment	4 hinges and M6 hex-head slotted screws SW10
Access opening: height / Access opening: width	207 mm / 201 mm
Earth, enclosure, external	Continuous M10 earth stud in body enclosure
Earth, enclosure, internal	Welded-on M6 stainless-steel earth stud in enclosure body and lid.

Note

Accessories

Mounting plates and fastening screws	Order No.
Stainless steel 1.4301	1193820000
Fastening screws for mounting plates	0642600000
Gland plate 3 mm	
Top and bottom sides (A & B), electropolished stainless steel 1.4404	1280910000
Gland plates and screws - 6 mm	
Top and bottom sides (A & B), electropolished stainless steel 1.4404	1256290000
Mounting screw, stainless steel 1.4404	1253230000
Label holder	
100x25 stainless steel 1.4301	1257640000
130x50 stainless steel 1.4301	1283450000
70 x 70 angled stainless steel 1.4301	1279320000
Earthing stud	
Stainless steel 1.4404, M10	1192690000
Document holder	
For DIN A6 size documents	1252780000
Compensation elements	
M20, brass	1292540000
M20, stainless steel 1.4404 (316L)	1292530000
Cable glands	
Nickel-plated brass, Ex e, M20, 3-12 mm	1460050000
Nickel-plated brass, Ex e, M32, 14-24 mm	1460080000
Blanking plugs	
Stainless steel 1.4404 (316L), Ex e, M20	1477840000
Stainless steel 1.4404 (316L), Ex e, M32	1477890000
Locknuts	
Nickel-plated brass, M20	1737000000
Nickel-plated brass, M32	1737020000
Grounding strap	
green-yellow, 6 mm² for M6 bolt	2475490000

Note

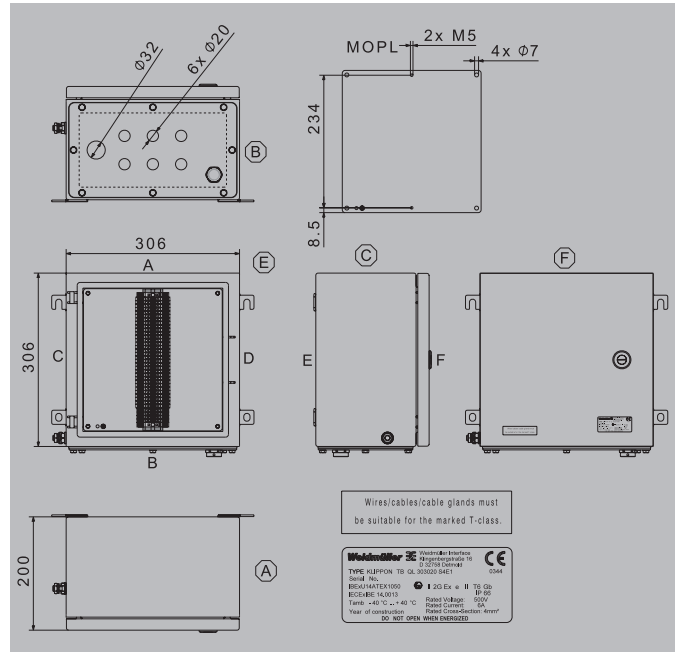
Reference products

	Order No.
KTB MH 262615 S4E1	1194610000
WDU 4 BL	1020180000

Note

Klippon® TB QL 303020 Ex e Terminal Box

Depth 200 mm



Height / Width / Depth 306 / 306 / 200 mm

Ordering data

	Order No.
KTB QL 303020 Ex e	8000028400

Note

Technical data

Article - short description	Klippon® Klippon TB QL (Terminal Box - Quarter Lock)- Enclosure systems, Terminal Box
Marking [assembled enclosure]	Ex e IIC T6 Gb
Certificate no. assembled enclosure (ATEX)	IBEXU14ATEX1050
Certificate no. assembled enclosure (IECEX)	IECEX IBE 14.0013
Standards	IEC 60079-0, IEC 60079-7, IEC 60079-31, EN 60079-0, EN 60079-7, EN 60079-31
Ambient temperature	Tamb -40°C...+40°C
Type label material	Polyester coated with aluminium
Protection class	IP66, NEMA 4, NEMA 4x
Assembly	
Modular terminal blocks	1x32, 4 x PE
Rated cross-section	4 mm²
Rated voltage	550 V
Rated current	6.00 A
Drill holes side A	None
Drill holes side B	6 x M20, 1 x M32, 1 x BDX
Technical data, enclosure	
Material thickness	1.5 mm
Material thickness of flange	3 mm
Gland plates	Bottom
Seal material	Silicone
Enclosure attachment	4 welded-on mounting feet with 11 mm hole size
Mounting dimension - height / width	203 mm / 332 mm
Lid attachment	Quarter-turn fastener with slotted insert
Access opening: height / Access opening: width	253 mm / 247 mm
Earth, enclosure, external	Continuous M10 earth stud in body enclosure
Earth, enclosure, internal	Welded-on M6 stainless-steel earth stud in enclosure body and lid.

Note

Accessories

Mounting plates and fastening screws	Order No.
Stainless steel 1.4301	1193830000
Fastening screws for mounting plates	0642600000
Gland plate 3 mm	
Top and bottom sides (A & B), electropolished stainless steel 1.4404	1280970000
Gland plates and screws - 6 mm	
Top and bottom sides (A & B), electropolished stainless steel 1.4404	1256360000
Mounting screw, stainless steel 1.4404	1253230000
Label holder	
100x25 stainless steel 1.4301	1257640000
130x50 stainless steel 1.4301	1283450000
70 x 70 angled stainless steel 1.4301	1279320000
Document holder	
For DIN A6 size documents	1252780000
Earthing stud	
Stainless steel 1.4404, M10	1192690000
Compensation elements	
M20, brass	1292540000
M20, stainless steel 1.4404 (316L)	1292530000
Cable glands	
Nickel-plated brass, Ex e, M20, 3-12 mm	1460050000
Nickel-plated brass, Ex e, M32, 14-24 mm	1460080000
Blanking plugs	
Stainless steel 1.4404 (316L), Ex e, M20	1477840000
Stainless steel 1.4404 (316L), Ex e, M32	1477890000
Locknuts	
Nickel-plated brass, M20	1737000000
Nickel-plated brass, M32	1737020000
Grounding strap	
green-yellow, 6 mm² for M6 bolt	2475490000

Note

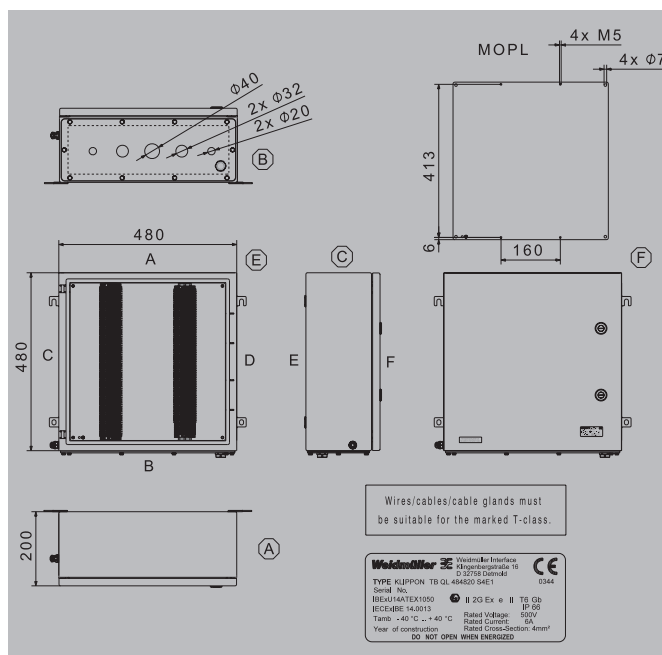
Reference products

	Order No.
KTB QL 303020 S4E1	1200070000
WDU 4	1020100000
WPE 4	1010100000

Note

Klippon® TB QL 484820 Ex e Terminal Box

Depth 200 mm



Height / Width / Depth 480 / 480 / 200 mm

Ordering data

	Order No.
KTB QL 484820 Ex e	8000028401

Technical data

Article - short description	Klippon® Klippon TB QL (Terminal Box - Quarter Lock)- Enclosure systems, Terminal Box
Marking [assembled enclosure]	Ex e IIC T6 Gb
Certificate no. assembled enclosure (ATEX)	IBEXU14ATEX1050
Certificate no. assembled enclosure (IECEX)	IECEX IBE 14.0013
Standards	IEC 60079-0, IEC 60079-7, IEC 60079-31, EN 60079-0, EN 60079-7, EN 60079-31
Ambient temperature	Tamb -40°C...+40°C
Type label material	Polyester coated with aluminium
Protection class	IP66, NEMA 4, NEMA 4x
Assembly	
Modular terminal blocks	1x66, 1x59, 5 x PE
Rated cross-section	4 mm²
Rated voltage	550 V
Rated current	6.00 A
Drill holes side A	None
Drill holes side B	2 x M20, 2 x M25, 1 x M40
Technical data, enclosure	
Material thickness	1.5 mm
Material thickness of flange	3 mm
Gland plates	Bottom
Seal material	Silicone
Enclosure attachment	4 welded-on mounting feet with 11 mm hole size
Mounting dimension - height / width	327 mm / 506 mm
Lid attachment	Quarter-turn fastener with slotted insert
Access opening: height / Access opening: width	427 mm / 421 mm
Earth, enclosure, external	Continuous M10 earth stud in body enclosure
Earth, enclosure, internal	Welded-on M6 stainless-steel earth stud in enclosure body and lid.

Accessories

Mounting plates and fastening screws	Order No.
Stainless steel 1.4301	1193870000
Fastening screws for mounting plates	0642600000
Gland plate 3 mm	
Top and bottom sides (A & B), electropolished stainless steel 1.4404	1281130000
Gland plates and screws - 6 mm	
Top and bottom sides (A & B), electropolished stainless steel 1.4404	1256550000
Mounting screw, stainless steel 1.4404	1253230000
Label holder	
100x25 stainless steel 1.4301	1257640000
130x50 stainless steel 1.4301	1283450000
70 x 70 angled stainless steel 1.4301	1279320000
Document holder	
For DIN A6 size documents	1252780000
For DIN A4 size documents	1252730000
Earthing stud	
Stainless steel 1.4404, M10	1192690000
Compensation elements	
M20, brass	1292540000
M20, stainless steel 1.4404 (316L)	1292530000
Cable glands	
Nickel-plated brass, Ex e, M20, 3-12 mm	1460050000
Nickel-plated brass, Ex e, M25, 10-18 mm	1460070000
Nickel-plated brass, Ex e, M40, 22-32 mm	1460090000
Blanking plugs	
Stainless steel 1.4404 (316L), Ex e, M20	1477840000
Stainless steel 1.4404 (316L), Ex e, M25	1477870000
Stainless steel 1.4404 (316L), Ex e, M40	1477910000
Locknuts	
Nickel-plated brass, M20	1737000000
Nickel-plated brass, M25	1737010000
Nickel-plated brass, M40	1737030000
Grounding strap	
green-yellow, 6 mm² for M6 bolt	2475490000

Note

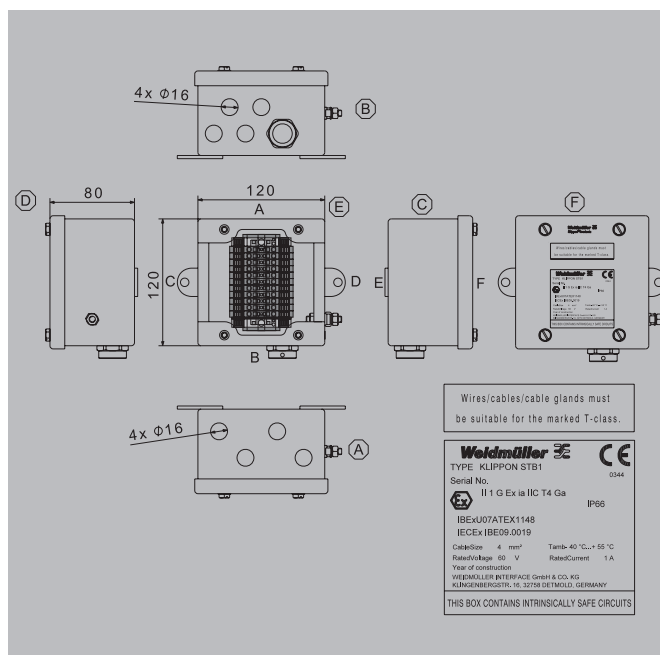
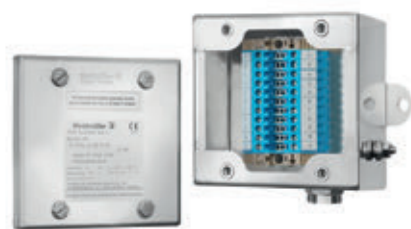
Note

Reference products

	Order No.
KTB QL 484820 S4E1	1200510000
WDU 4	1020100000
WPE 4	1010100000

Klippon® STB 1 Ex ia Terminal Box

Depth 80 mm



Wires/cables/cable glands must be suitable for the marked T-class.

Weidmüller
 TYPE: KLIPPON STB1
 Serial No. 0344
 II 1 G Ex ia IIC T4 Ga IP66
 IBExU07ATEX1148
 IECEx IBE09.0019
 CableSize: 4 mm² Tamb: -40 °C...+55 °C
 RatedVoltage: 60 V RatedCurrent: 1 A
 Year of construction: 2018
 WEIDMÜLLER INTERFACE GmbH & Co. KG
 KULMBERGSTR. 16, 32758 DETMOLD, GERMANY
 THIS BOX CONTAINS INTRINSICALLY SAFE CIRCUITS

Height / Width / Depth 120 / 120 / 80 mm

Ordering data

	Order No.
STB 1 Exia	8000028394

Note

Technical data

Article - short description	Klippon® Klippon STB (Small Terminal Box)-Enclosure systems, Terminal Box
Marking [assembled enclosure]	Ex ia IIC T4 Ga
Certificate no. assembled enclosure (ATEX)	IBExU 07ATEX1148
Certificate no. assembled enclosure (IECEx)	IECEx IBE09.0019
Standards	IEC 60079-0, IEC 60079-7, IEC 60079-11, IEC 60079-31, EN 60079-0, EN 60079-7, EN 60079-11, EN 60079-31
Ambient temperature	Tamb -40°C...+55°C
Type label material	Polyester coated with aluminium
Protection class	IP66, NEMA 4, NEMA 4x
Assembly	
Modular terminal blocks	1x11
Rated cross-section	4 mm ²
Rated voltage	60 V
Rated current	1.00 A
Drill holes side A	4 x M16
Drill holes side B	4 x M16, 1 x BDx
Technical data, enclosure	
Material thickness	1.5 mm
Seal material	Silicone
Enclosure attachment	Welded-on mounting foot with 8-mm holes
Mounting dimension - height / width	60 mm / 145 mm
Lid attachment	M5 hex-head slotted screws SW10
Access opening: width / Access opening: height	100 mm / 99.4 mm
Earth, enclosure, external	Welded-on M6 x 16 stainless-steel bolts
Earth, enclosure, internal	Welded-on M6 x 16 stainless-steel bolts

Note

Accessories

Compensation elements	Order No.
M20, brass	1292540000
M20, stainless steel 1.4404 (316L)	1292530000
Cable glands	
Nickel-plated brass, Ex e, M16, 3-12 mm	1460040000
Blanking plugs	
Stainless steel 1.4404 (316L), Ex e, M16	1477820000
Locknuts	
Nickel-plated brass, M16	1736990000
Grounding strap	
green-yellow, 6 mm ² for M6 bolt	2475490000
Note	

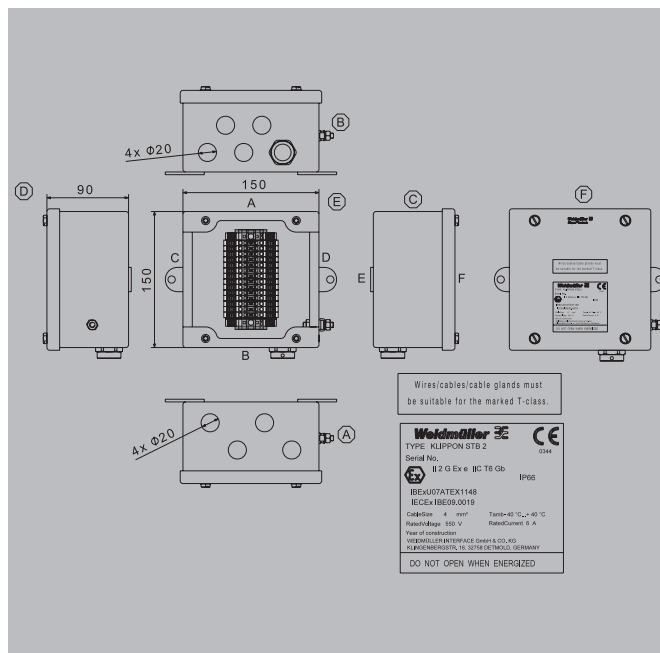
Reference products

	Order No.
KLIPPON STB 1 SS	1002690000
WDU 4 BL	1020180000

Note

Klippon® STB 2 Ex e Terminal Box

Depth 90 mm



Height / Width / Depth 150 / 150 / 90 mm

Ordering data

	Order No.
STB 2 Ex e	8000028395

Note

Technical data

Article - short description	Klippon® Klippon STB (Small Terminal Box)-Enclosure systems, Terminal Box
Marking [assembled enclosure]	Ex e IIC T6 Gb
Certificate no. assembled enclosure (ATEX)	IBExU 07ATEX1148
Certificate no. assembled enclosure (IECEX)	IECEX IBE09.0019
Standards	IEC 60079-0, IEC 60079-7, IEC 60079-11, IEC 60079-31, EN 60079-0, EN 60079-7, EN 60079-11, EN 60079-31
Ambient temperature	Tamb -40°C...+40°C
Type label material	Polyester coated with aluminium
Protection class	IP66, NEMA 4, NEMA 4x
Assembly	
Modular terminal blocks	1x14
Rated cross-section	4 mm²
Rated voltage	550 V
Rated current	6.00 A
Drill holes side A	4 x M20
Drill holes side B	4 x M20, 1 x BDX
Technical data, enclosure	
Material thickness	1.5 mm
Seal material	Silicone
Enclosure attachment	Welded-on mounting foot with 8-mm holes
Mounting dimension - height / width	75 mm / 175 mm
Lid attachment	M5 hex-head slotted screws SW10
Access opening: width / Access opening: height	130 mm / 130 mm
Earth, enclosure, external	Welded-on M6 x 16 stainless-steel bolts
Earth, enclosure, internal	Welded-on M6 x 16 stainless-steel bolts

Note

Accessories

Compensation elements	Order No.
M20, brass	1292540000
M20, stainless steel 1.4404 (316L)	1292530000
Cable glands	
Nickel-plated brass, Ex e, M20, 3-12 mm	1460050000
Blanking plugs	
Stainless steel 1.4404 (316L), Ex e, M20	1477840000
Locknuts	
Plastic, M20	1736930000
Nickel-plated brass, M20	1737000000
Grounding strap	
green-yellow, 6 mm² for M6 bolt	2475490000
Note	

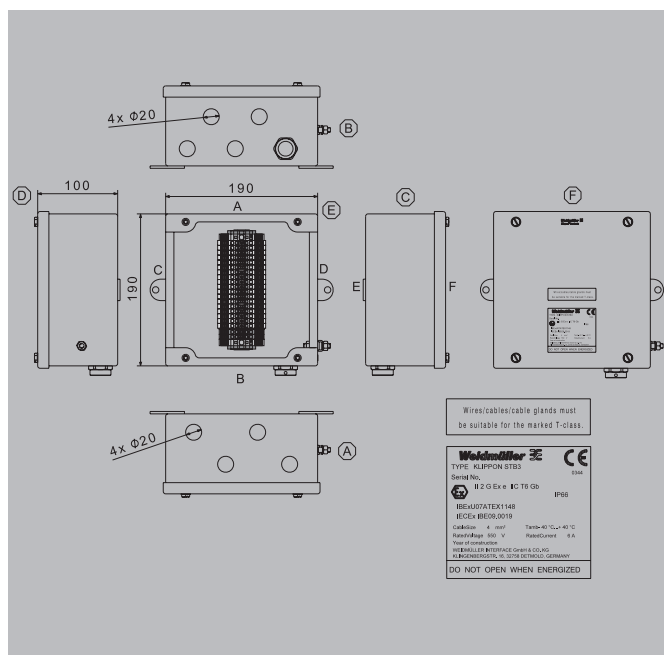
Reference products

	Order No.
KLIPPON STB 2 SS	1002740000
WDU 4	1020100000

Note

Klippon® STB 3 Ex e Terminal Box

Depth 100 mm



Height / Width / Depth 190 / 190 / 100 mm

Ordering data

	Order No.
STB 3 Ex e	8000028396

Note

Technical data

Article - short description	Klippon® Klippon STB (Small Terminal Box)-Enclosure systems, Terminal Box
Marking [assembled enclosure]	Ex e IIC T6 Gb
Certificate no. assembled enclosure (ATEX)	IBExU 07ATEX1148
Certificate no. assembled enclosure (IECEX)	IECEX IBE09.0019
Standards	IEC 60079-0, IEC 60079-7, IEC 60079-11, IEC 60079-31, EN 60079-0, EN 60079-7, EN 60079-11, EN 60079-31
Ambient temperature	Tamb -40°C...+40°C
Type label material	Polyester coated with aluminium
Protection class	IP66, NEMA 4, NEMA 4x
Assembly	
Modular terminal blocks	1x18, 2 x PE
Rated cross-section	4 mm²
Rated voltage	550 V
Rated current	6.00 A
Drill holes side A	4 x M20
Drill holes side B	4 x M20, 1 x BDX
Technical data, enclosure	
Material thickness	1.5 mm
Seal material	Silicone
Enclosure attachment	Welded-on mounting foot with 8-mm holes
Mounting dimension - height / width	95 mm / 215 mm
Lid attachment	M5 hex-head slotted screws SW10
Access opening: width / Access opening: height	170 mm / 170 mm
Earth, enclosure, external	Welded-on M6 x 16 stainless-steel bolts
Earth, enclosure, internal	Welded-on M6 x 16 stainless-steel bolts

Note

Accessories

Compensation elements	Order No.
M20, brass	1292540000
M20, stainless steel 1.4404 (316L)	1292530000
Cable glands	
Nickel-plated brass, Ex e, M20, 3-12 mm	1460050000
Blanking plugs	
Stainless steel 1.4404 (316L), Ex e, M20	1477840000
Locknuts	
Plastic, M20	1736930000
Nickel-plated brass, M20	1737000000
Grounding strap	
green-yellow, 6 mm² for M6 bolt	2475490000
Note	

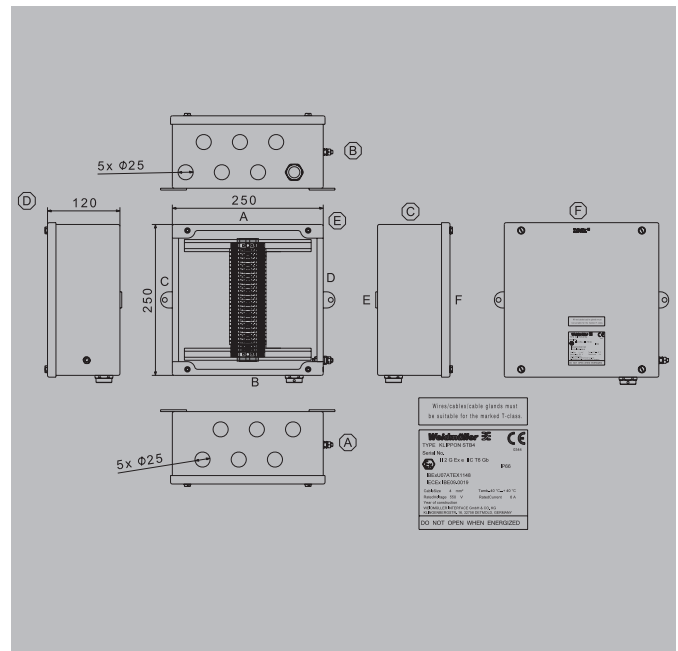
Reference products

	Order No.
KLIPPON STB 3 SS	1002720000
WDU 4	1020100000
WPE 4	1010100000

Note

Klippon® STB 4 Ex e Terminal Box

Depth 120 mm



Height / Width / Depth 250 / 250 / 120 mm

Ordering data

	Order No.
STB 4 Exe	8000028397

Note

Technical data

Article - short description	Klippon® Klippon STB (Small Terminal Box)-Enclosure systems, Terminal Box
Marking [assembled enclosure]	Ex e IIC T6 Gb
Certificate no. assembled enclosure (ATEX)	IBExU 07ATEX1148
Certificate no. assembled enclosure (IECEX)	IECEX IBE09.0019
Standards	IEC 60079-0, IEC 60079-7, IEC 60079-11, IEC 60079-31, EN 60079-0, EN 60079-7, EN 60079-11, EN 60079-31
Ambient temperature	Tamb -40°C...+40°C
Type label material	Polyester coated with aluminium
Protection class	IP66, NEMA 4, NEMA 4x
Assembly	
Modular terminal blocks	1x26, 2 x PE
Rated cross-section	4 mm²
Rated voltage	550 V
Rated current	6.00 A
Drill holes side A	6 x M25
Drill holes side B	6 x M25, 1 x BDX
Technical data, enclosure	
Material thickness	1.5 mm
Seal material	Silicone
Enclosure attachment	Welded-on mounting foot with 8-mm holes
Mounting dimension - height / width	125 mm / 275 mm
Lid attachment	M5 hex-head slotted screws SW10
Access opening: width / Access opening: height	230 mm / 230 mm
Earth, enclosure, external	Welded-on M6 x 16 stainless-steel bolts
Earth, enclosure, internal	Welded-on M6 x 16 stainless-steel bolts

Note

Accessories

Compensation elements	Order No.
M20, brass	1292540000
M20, stainless steel 1.4404 (316L)	1292530000
Cable glands	
Nickel-plated brass, Ex e, M25, 10-18 mm	1460070000
Blanking plugs	
Stainless steel 1.4404 (316L), Ex e, M25	1477870000
Locknuts	
Plastic, M25	1736940000
Nickel-plated brass, M25	1737010000
Grounding strap	
green-yellow, 6 mm² for M6 bolt	2475490000
Note	

Reference products

	Order No.
KLIPPON STB 4 SS	1002710000
WDU 4	1020100000
WPE 4	1010100000

Note

Klippon® Protect – Terminal Boxes – Product overview: Aluminium enclosure

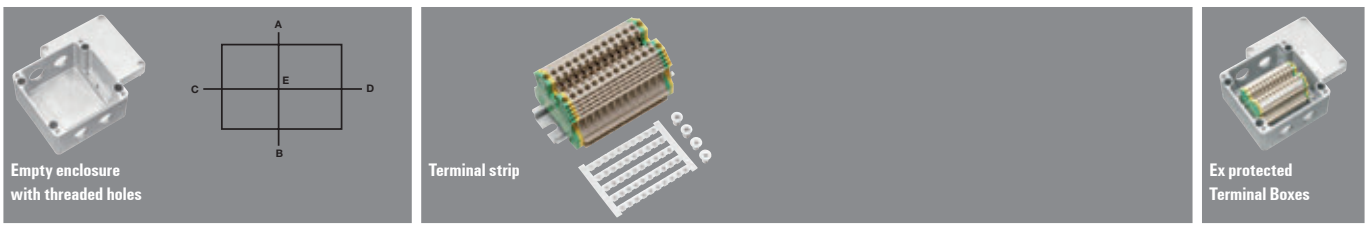
Use the product overview to find the right solution for you! Combine your own industrial version consisting of an enclosure, with or without threaded holes, a suitable mounting rail or pre-fitted terminal strips. The compatible components are always shown in a row.

Klippon® Protect offers you approved enclosures for use in explosive risk areas. You can find these in the last column. They come with threaded holes and are already equipped with a terminal strip.

Aluminium enclosure, uncoated

Dimensions of the enclosure height x width x depth in mm	Enclosure type	Empty enclosure without threaded holes		Mounting rail (TS) Mounting plate (MOPL)			Order No.	Qty.
		Order No.	Qty.	Type	Length in mm	Rail mounting slot dimensions in mm		
Aluminium, uncoated								
64 x 58 x 34	Klippon® K01	1565240000	10	-	-	-	-	-
70 x 70 x 45	Klippon® K1	0342000000	10	TS15	60	4.5 x 20	1909980000	1
80 x 75 x 57	Klippon® K11	0573300000	10	TS15	64	4.5 x 20	1909990000	1
70 x 100 x 45	Klippon® K2	0342100000	10	TS15	90	4.5 x 20	1910010000	1
80 x 125 x 57	Klippon® K21	0573400000	5	TS15	114	4.5 x 20	1910020000	1
70 x 165 x 45	Klippon® K3	0342200000	5	TS15 MOPL	155 154	4.5 x 20 4.2 x 14	1910030000 8000004497	1 1
80 x 175 x 57	Klippon® K31	0573500000	5	TS15	164	4.5 x 20	1910040000	1
82 x 130 x 72	Klippon® K4	0342300000	1	TS35	64	5.5 x 20	1910060000	1
120 x 122 x 81	Klippon® K41	1565270000	1	TS35	105	6.3 x 20	1910070000	1
130 x 170 x 90	Klippon® K5	0342400000	1	TS35	148	5.5 x 20	1910080000	1
160 x 160 x 91	Klippon® K52	1565290000	1	TS35	140	6.3 x 20	1910100000	1
		protection class IP 66		suitable for the enclosures of the respective line				

¹⁾ Multi-pole terminal strip (terminal block BK 4, BK 6 or BK 12), mounted on mounting plate
²⁾ Space for further threaded holes up to M40



Threaded hole Side A	Threaded hole Side B	Order No.	Qty.	Connection technology	Cross-section mm ²	Number of DU*	Number of PE*	Order No.	Qty.	Order No.
----------------------	----------------------	-----------	------	-----------------------	-------------------------------	---------------	---------------	-----------	------	-----------

1x M16	1x M16	8000004184	1	Screw connection		4	4	0	7906080000	100	-
1x M16	2x M16	8000004147	1	Screw connection		4	4	0	8000004129 ¹⁾	1	8000004202
1x M20	1x M20	8000004148	1								8000004203
2x M16	2x M16	8000004149	1								8000004207
2x M20	2x M20	8000004150	1	Tension clamp connection		2.5	5	1	8000004130	1	8000004208
2x M16	2x M16			Tension clamp connection		2.5	5	1			8000004204
2x M20	2x M20			Screw connection		4	5	2			8000004209
2x M20	2x M20	8000004151	1	Screw connection		4	6	0	8000004132 ¹⁾	1	8000004210
3x M16	3x M16	8000004152	1	Screw connection		4	13	2	8000004134	1	8000004212
3x M16	3x M16			Tension clamp connection		2.5	14	2	8000004133	1	8000004211
4x M20	4x M20	8000004153	1	Screw connection		4	12	0	8000004135 ¹⁾	1	8000004213
4x M20	4x M20	8000004154	1	Screw connection		4	21	2	8000004137	1	
4x M20	4x M20			Tension clamp connection		2.5	24	2	8000004136	1	8000004214
2x M20	2x M20	8000004155	1	Screw connection		4	5	2	8000004138	1	
2x M20	2x M20			Tension clamp connection		4	4	1	8000004139	1	
2x M25	2x M25	8000003446	1	Screw connection		4	12	2	8000003444	1	8000003589
3x M20	3x M20	8000003447	1								
2x M25	2x M25										
3x M20	3x M20										8000003591
4x M20	4x M20	8000004158	1	Screw connection		4	17	2	8000004140	1	8000004218
4x M20	4x M20			Tension clamp connection		4	15	2		1	8000004219
4x M20	4x M20		1	Screw connection		4	16	2	8000004142	1	8000004220
4x M20	4x M20			Tension clamp connection		2.5	19	2	8000004143	1	8000004221

suitable for the enclosure of the respective line
 *DU = feed-through terminals, PE = PE terminals

Ex-enclosure with threaded holes and terminal strip according to the respective line

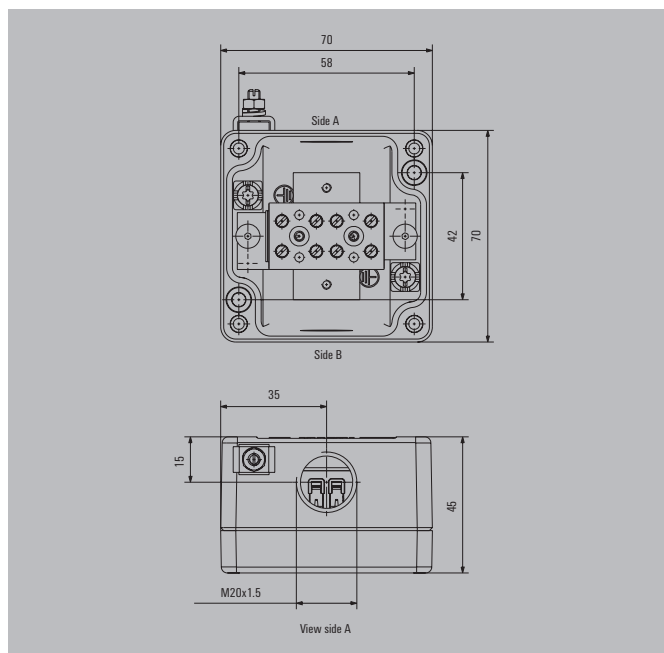
Klippon® K1

45 mm

B



Height / Width / Depth 70 / 70 / 45 mm



Empty enclosure with tapped holes

	Drill holes side A	Drill holes side B	Order No.
	1 x M16x1.5	2 x M16x1.5	8000004147
	1 x M20x1.5	1 x M20x1.5	8000004148

Note

Terminal block, suitable for empty enclosure

Type	Type of connection	Conductor can be clamped	Rated cross-section	No. of DU*	No. of PE*	Order No.
BK 4/E	Screw connection	Solid / stranded	0.5...4 mm ² / 1.5...4 mm ²	4	0	8000004129
		Flexible / flexible with wire-end ferrule	0.5...4 mm ² / 0.5...4 mm ²			

Note

Supplied with mounting screws.
*DU = feed-through terminals, PE = PE terminals

Distribution box with ATEX II 2GD T85°C Ex e II T6

Drill holes side A	Drill holes side B	No. of DU*	No. of PE*	Order No.
1 x M16x1.5	2 x M16x1.5	4	0	8000004202
1 x M20x1.5	1 x M20x1.5	4	0	8000004203



Note

All enclosures are equipped with an external earth stud connection.
*DU = feed-through terminals, PE = PE terminals

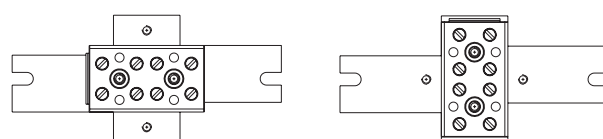
Accessories

Cable glands		Order No.
	VG M16 EXE 5-8 SI 7J	2017380000
	VG M16 EXE 6-10 SI 7J	2017390000
	VG M20 EXE 7-13 SI 7J	2017500000
	VG M20 EXE 11-14 SI 7J	2017510000
	VG M16 EXE MS	1460040000
	VG M20 EXE MS	1460050000
Stopping plugs		Order No.
	VP M16 EX SI 7J	2066720000
	VP M16-EXE MS	1737140000
	VP M20 EX SI 7J	2066730000
	VP M20-EXE MS	1737150000
Adapters		Order No.
	ADAP EX M20-M16	1737560000

Note

Terminal rail / mounting plate set

Product type	Type	Length	Order No.
	TS15 60 Klippon K1 CSS	60 mm	1909980000



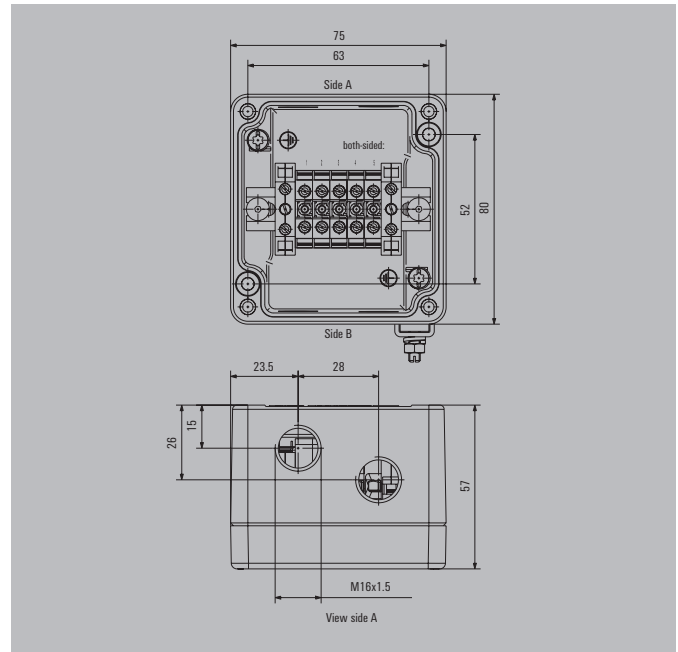
Note

Klippon® K11

57 mm



Height / Width / Depth 80 / 75 / 57 mm



Empty enclosure with tapped holes

	Drill holes side A	Drill holes side B	Order No.
	2 x M16x1.5	2 x M16x1.5	8000004149
	2 x M20x1.5	2 x M20x1.5	8000004150

Note

Terminal block, suitable for empty enclosure

Type	Type of connection	Conductor can be clamped	Rated cross-section	No. of DU*	No. of PE*	Order No.
ZDUA 2.5-2	Tension clamp connection	Two connections	0.5...4 mm ² / ... 0.5...2.5 mm ² / 0.5...1.5 mm ²	5	1	8000004130

Note

Markers numbered 1-50 (horizontal text) and mounting screws are included in the delivery.
*DU = feed-through terminals, PE = PE terminals

Distribution box with ATEX II 2GD T85°C Ex e II T6

Drill holes side A	Drill holes side B	No. of DU*	No. of PE*	Order No.
2 x M16x1.5	2 x M16x1.5	5	2	8000004207
2 x M16x1.5	2 x M16x1.5	5	1	8000004204
2 x M20x1.5	2 x M20x1.5	5	2	8000004209
2 x M20x1.5	2 x M20x1.5	5	1	8000004208



Note

All enclosures are equipped with an external earth stud connection.
*DU = feed-through terminals, PE = PE terminals

Accessories

Cable glands	Order No.
	VG M16 EXE 5-8 SI 7J 2017380000
	VG M16 EXE 6-10 SI 7J 2017390000
	VG M20 EXE 7-13 SI 7J 2017500000
	VG M20 EXE 11-14 SI 7J 2017510000
	VG M16 EXE MS 1460040000
	VG M20 EXE MS 1460050000
Stopping plugs	Order No.
	VP M16 EX SI 7J 2066720000
	VP M16-EXE MS 1737140000
	VP M20 EX SI 7J 2066730000
	VP M20-EXE MS 1737150000
Adapters	Order No.
	ADAP EX M20-M16 1737560000

Note

DIN rail / mounting plate set

Product type	Type	Length	Order No.
	Mounting rail TS15 64 Klippon K11	64 mm	1909900000

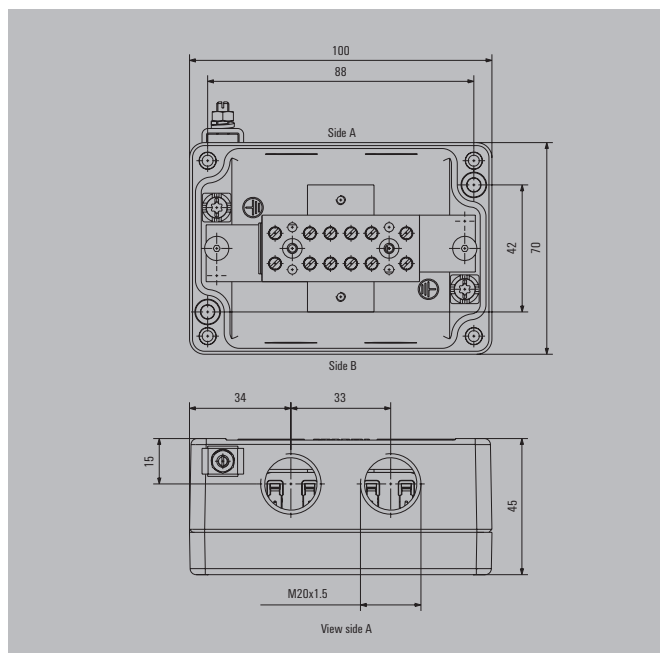
Note

Klippon® K2

45 mm



Height / Width / Depth 70 / 100 / 45 mm



Empty enclosure with tapped holes

Drill holes side A	Drill holes side B	Order No.
2 x M20x1.5	2 x M20x1.5	8000004151

Note

Terminal block, suitable for empty enclosure

Type	Type of connection	Conductor can be clamped	Rated cross-section	No. of DU*	No. of PE*	Order No.
BK 6/E	Screw connection	Solid / stranded	0.5...4 mm ² / 1.5...4 mm ²	6	0	8000004132
		Flexible / flexible with wire-end ferrule	0.5...4 mm ² / 0.5...4 mm ²			

Note Supplied with mounting screws.
*DU = feed-through terminals, PE = PE terminals

Distribution box with ATEX II 2GD T85°C Ex e II T6

Drill holes side A	Drill holes side B	No. of DU*	No. of PE*	Order No.
2 x M20x1.5	2 x M20x1.5	6	0	8000004210



Note All enclosures are equipped with an external earth stud connection.
*DU = feed-through terminals, PE = PE terminals

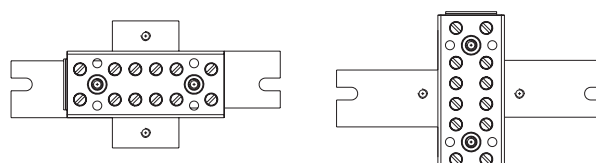
Accessories

Cable glands	Order No.
VG M20 EXE 7-13 SI 7J	2017500000
VG M20 EXE 11-14 SI 7J	2017510000
VG M20 EXE MS	1460050000
KSG M20 BN O NI 2 G20	1911560000
Stopping plugs	Order No.
VP M20 EX SI 7J	2066730000
VP M20-EXE MS	1737150000
Adapters	Order No.
ADAP EX M20-M16	1737560000

Note

Terminal rail / mounting plate set

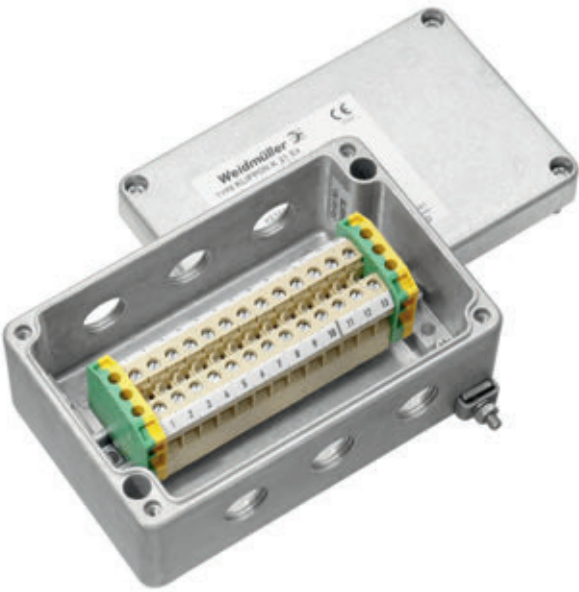
Product type	Type	Length	Order No.
Mounting rail	TS15 90 Klippon K2 CSS	90 mm	1910010000



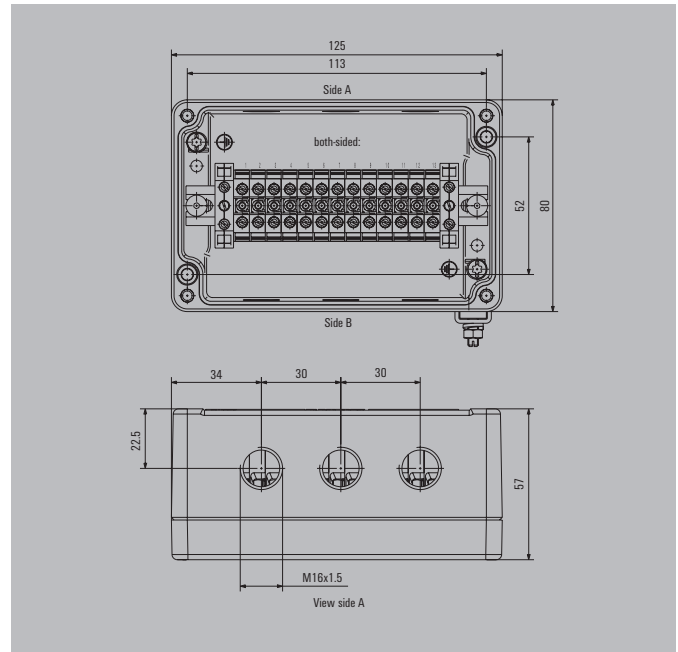
Note

Klippon® K21



57 mm



Height / Width / Depth 80 / 125 / 57 mm



Accessories

Cable glands		Order No.
	VG M16 EXE 5-8 SI 7J	2017380000
	VG M16 EXE 6-10 SI 7J	2017390000
	VG M16 EXE MS	1460040000
Stopping plugs		Order No.
	VP M16 EX SI 7J	2066720000
	VP M16-EXE MS	1737140000

Empty enclosure with tapped holes

Drill holes side A	Drill holes side B	Order No.
3 x M16x1.5	3 x M16x1.5	8000004152



Note

Note

Terminal block, suitable for empty enclosure

Type	Type of connection	Conductor can be clamped	Rated cross-section	No. of DU*	No. of PE*	Order No.
AKZ 4	Screw connection	Solid / stranded Flexible / flexible with wire-end ferrule	0.5...6 mm ² / 1.5...4 mm ² 0.5...4 mm ² / 0.5...2.5 mm ²	13	2	8000004134
ZDUA 2.5-2	Tension clamp connection	Two connections	0.5...4 mm ² / ... 0.5...2.5 mm ² / 0.5...1.5 mm ²	14	2	8000004133



Note

Markers numbered 1-50 (horizontal text) and mounting screws are included in the delivery.
*DU = feed-through terminals, PE = PE terminals

Distribution box with ATEX II 2GD T85°C Ex e II T6

Drill holes side A	Drill holes side B	No. of DU*	No. of PE*	Order No.
3 x M16x1.5	3 x M16x1.5	13	2	8000004212
3 x M16x1.5	3 x M16x1.5	14	2	8000004211

Terminal rail / mounting plate set

Product type	Type	Length	Order No.
	Mounting rail TS15 114 Klippon K21 CSS	114 mm	1910020000

Note

All enclosures are equipped with an external earth stud connection.
*DU = feed-through terminals, PE = PE terminals

Note

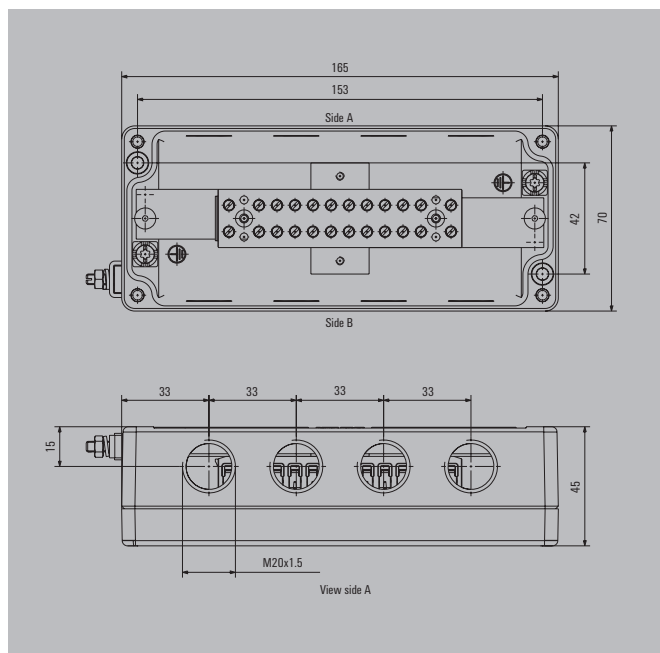


Klippon® K3

45 mm



Height / Width / Depth 70 / 165 / 45 mm



Empty enclosure with tapped holes

Drill holes side A	Drill holes side B	Order No.
4 x M20x1.5	4 x M20x1.5	8000004153

Note

Terminal block, suitable for empty enclosure

Type	Type of connection	Conductor can be clamped	Rated cross-section	No. of DU*	No. of PE*	Order No.
BK 12/E	Screw connection	Solid / stranded	0.5...4 mm ² / 1.5...4 mm ²	12	0	8000004135
		Flexible / flexible with wire-end ferrule	0.5...4 mm ² / 0.5...4 mm ²			

Note Supplied with mounting screws.
*DU = feed-through terminals, PE = PE terminals

Distribution box with ATEX II 2GD T85°C Ex e II T6

Drill holes side A	Drill holes side B	No. of DU*	No. of PE*	Order No.
4 x M20x1.5	4 x M20x1.5	12	0	8000004213

Note All enclosures are equipped with an external earth stud connection.
*DU = feed-through terminals, PE = PE terminals

Accessories

Accessories	Order No.
Cable glands	
VG M20 EXE 7-13 SI 7J	2017500000
VG M20 EXE 11-14 SI 7J	2017510000
VG M20 EXE MS	1460050000
KSG M20 BN 0 NI 2 G20	1911560000
Stopping plugs	
VP M20 EX SI 7J	2066730000
VP M20-EXE MS	1737150000
Adapters	
ADAP EX M20-M16	1737560000

Note

Terminal rail / mounting plate set

Product type	Type	Length	Order No.
Mounting plate	MOPL K3 BKVARIO SET	154 mm	8000004497
Mounting rail	TS15 155 Klippon K3 CSS	155 mm	1910030000

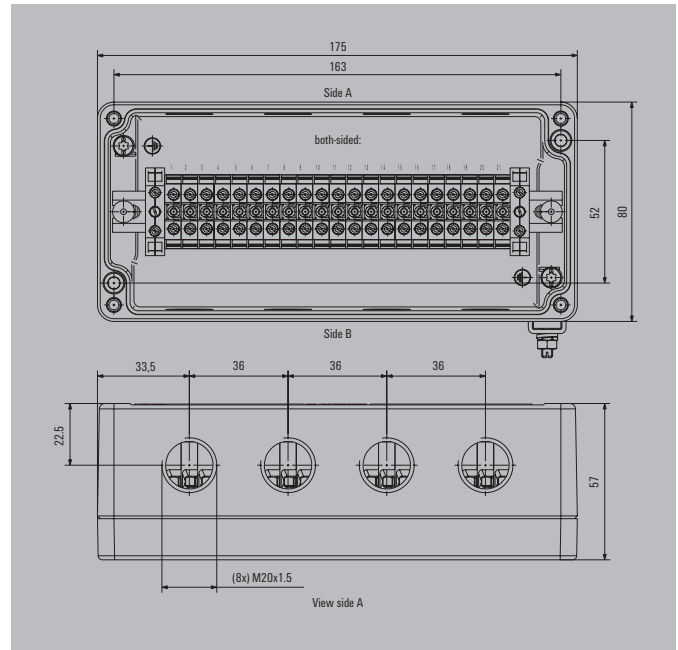
Note

Klippon® K31

57 mm



Height / Width / Depth 80 / 175 / 57 mm



Empty enclosure with tapped holes

Drill holes side A	Drill holes side B	Order No.
4 x M20x1.5	4 x M20x1.5	8000004154



Note

Terminal block, suitable for empty enclosure

Type	Type of connection	Conductor can be clamped	Rated cross-section	No. of DU*	No. of PE*	Order No.
AKZ 4	Screw connection	Solid / stranded Flexible / flexible with wire-end ferrule	0.5...6 mm ² / 1.5...4 mm ² 0.5...4 mm ² / 0.5...2.5 mm ²	21	2	8000004137
ZDUA 2.5-2	Tension clamp connection	Two connections	0.5...4 mm ² / ... 0.5...2.5 mm ² / 0.5...1.5 mm ²	24	2	8000004136

Note Markers numbered 1-50 (horizontal text) and mounting screws are included in the delivery.
*DU = feed-through terminals, PE = PE terminals

Distribution box with ATEX II 2GD T85°C Ex e II T6

Drill holes side A	Drill holes side B	No. of DU*	No. of PE*	Order No.
4 x M20x1.5	4 x M20x1.5	21	2	8000004215
4 x M20x1.5	4 x M20x1.5	24	2	8000004214



Note All enclosures are equipped with an external earth stud connection.
*DU = feed-through terminals, PE = PE terminals

Accessories

Cable glands	Order No.
VG M20 EXE 7-13 SI 7J	2017500000
VG M20 EXE 11-14 SI 7J	2017510000
VG M20 EXE MS	1460050000
KSG M20 BN O NI 2 G20	1911560000
Stopping plugs	Order No.
VP M20 EX SI 7J	2066730000
VP M20-EXE MS	1737150000
Adapters	Order No.
ADAP EX M20-M16	1737560000

Note

Terminal rail / mounting plate set

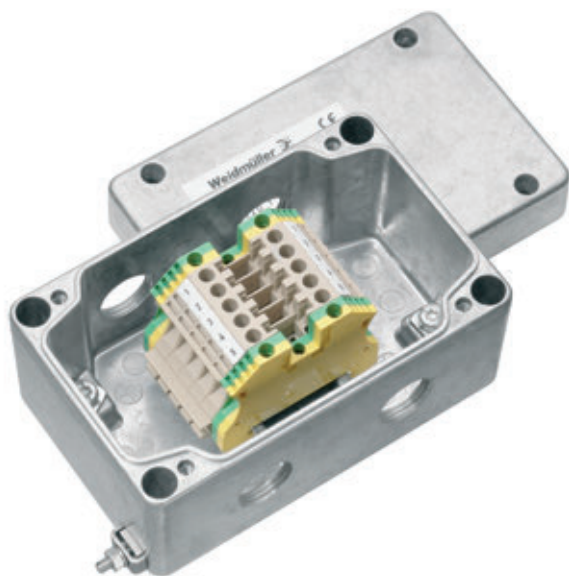
Product type	Type	Length	Order No.
Mounting rail	TS15 164 Klippon K31 CSS	164 mm	1910040000



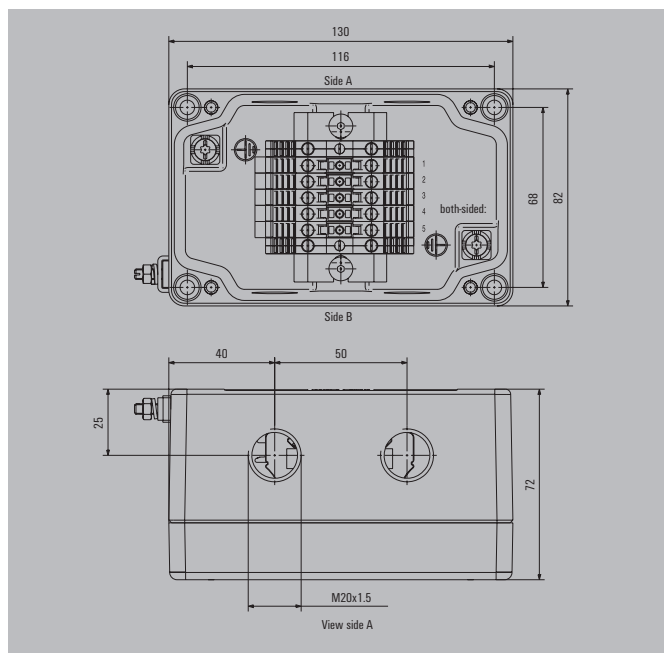
Note

Klippon® K4

72 mm



Height / Width / Depth 82 / 130 / 72 mm



Empty enclosure with tapped holes

Drill holes side A	Drill holes side B	Order No.
2 x M20x1.5	2 x M20x1.5	8000004155



Note

Terminal block, suitable for empty enclosure

Type	Type of connection	Conductor can be clamped	Rated cross-section	No. of DU*	No. of PE*	Order No.
ZDU 4-2/3AN	Tension clamp connection	Three connections	0.5...6 mm ² / ... 0.5...4 mm ² / 0.5...4 mm ²	4	1	8000004139
WDU 4	Screw connection	Solid / stranded Flexible / flexible with wire-end ferrule	0.5...6 mm ² / 1.5...6 mm ² 0.5...6 mm ² / 0.5...4 mm ²	5	2	8000004138

Note Markers numbered 1-50 (horizontal text) and mounting screws are included in the delivery.
*DU = feed-through terminals, PE = PE terminals

Distribution box with ATEX II 2GD T85°C Ex e II T6

Drill holes side A	Drill holes side B	No. of DU*	No. of PE*	Order No.
2 x M20x1.5	2 x M20x1.5	4	1	8000004217



Note All enclosures are equipped with an external earth stud connection.
*DU = feed-through terminals, PE = PE terminals

Accessories

Accessories	Order No.
Cable glands	
VG M20 EXE 7-13 SI 7J	2017500000
VG M20 EXE 11-14 SI 7J	2017510000
VG M20 EXE MS	1460050000
KSG M20 BN O NI 2 G20	1911560000
Stopping plugs	
VP M20 EX SI 7J	2066730000
VP M20-EXE MS	1737150000
Adapters	
ADAP EX M20-M16	1737560000

Note

Terminal rail / mounting plate set

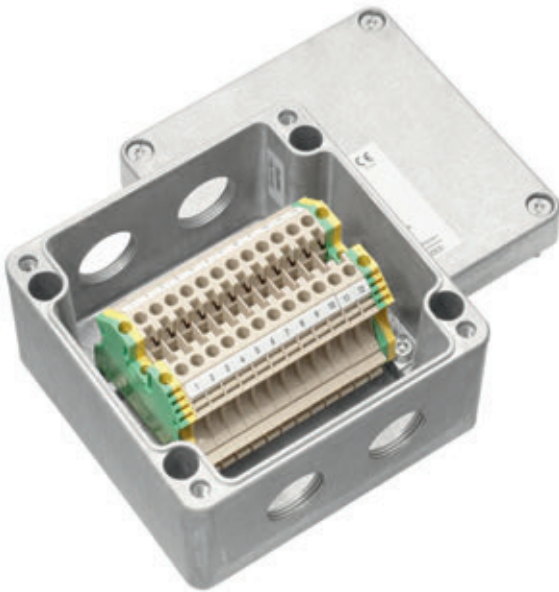
Product type	Type	Length	Order No.
Mounting rail	TS35 64 Klippon K4K11	64 mm	1910060000



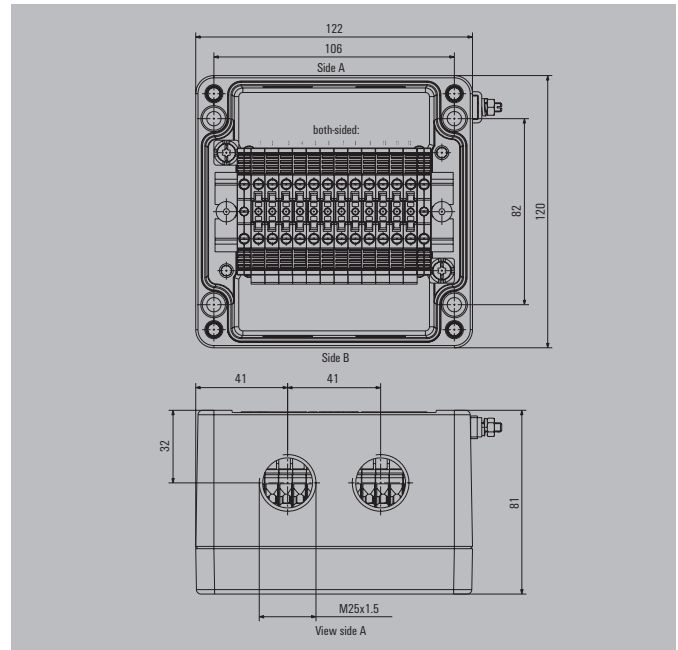
Note

Klippon® K41

81 mm



Height / Width / Depth 120 / 122 / 81 mm



Empty enclosure with tapped holes

	Drill holes side A	Drill holes side B	Order No.
	2 x M25x1.5	2 x M25x1.5	8000003446
	3 x M20x1.5	3 x M20x1.5	8000003447

Note

Terminal block, suitable for empty enclosure

Type	Type of connection	Conductor can be clamped	Rated cross-section	No. of DU*	No. of PE*	Order No.
WDU 4	Screw connection	Solid / stranded	0.5...6 mm ² / 1.5...6 mm ²	12	2	8000003444
		Flexible / flexible with wire-end ferrule	0.5...6 mm ² / 0.5...4 mm ²			

Note Markers numbered 1-50 (horizontal text) and mounting screws are included in the delivery.
*DU = feed-through terminals, PE = PE terminals

Distribution box with ATEX II 2GD T85°C Ex e II T6

Drill holes side A	Drill holes side B	No. of DU*	No. of PE*	Order No.
3 x M20x1.5	3 x M20x1.5	12	2	8000003591
2 x M25x1.5	2 x M25x1.5	12	2	8000003589



Note All enclosures are equipped with an external earth stud connection.
*DU = feed-through terminals, PE = PE terminals

Accessories

Cable glands	Order No.
VG M20 EXE 7-13 SI 7J	2017500000
VG M20 EXE 11-14 SI 7J	2017510000
VG M20 EXE MS	1460050000
KSG M20 BN O NI 2 G20	1911560000
VG M25 EXE 12-17 SI 7J	2017520000
VG M25 EXE 14-18 SI 7J	2017550000
Stopping plugs	Order No.
VP M20 EX SI 7J	2066730000
VP M20-EXE MS	1737150000
VP M25 EXE MS	1210910000
VP M25 EX SI 7J	2066740000
Adapters	Order No.
ADAP EX M20-M16	1737560000
ADAP EX M25-M16	1737550000
ADAP EX M25-M20	1737710000

Note

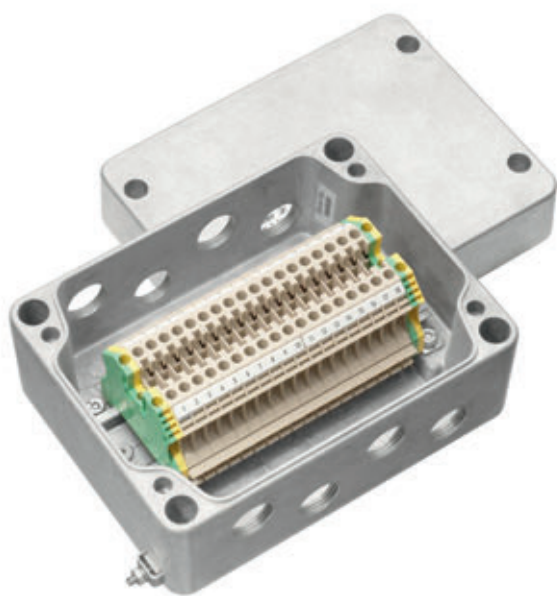
Terminal rail / mounting plate set

Product type	Type	Length	Order No.
Mounting rail	TS35 105 Klippon K41/POK4	105 mm	1910070000

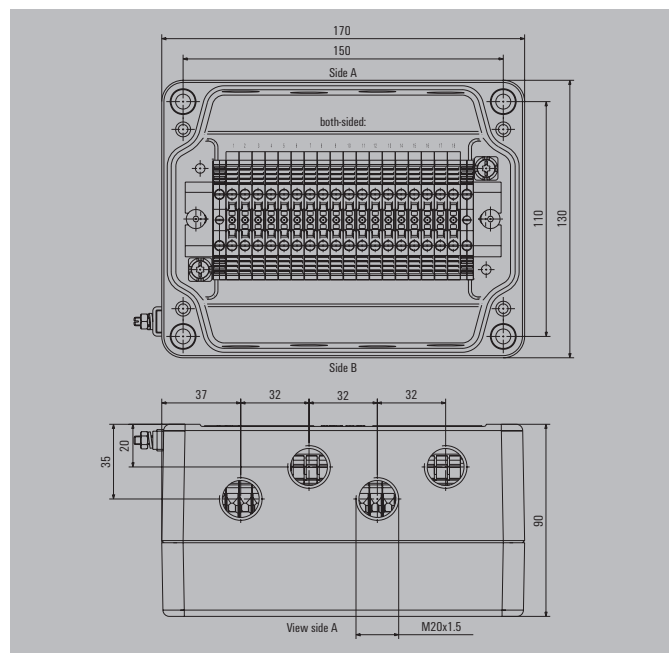
Note

Klippon® K5


90 mm



Height / Width / Depth 130 / 170 / 90 mm



Empty enclosure with tapped holes

	Drill holes side A	Drill holes side B	Order No.
	4 x M20x1.5	4 x M20x1.5	8000004158

Note

Terminal block, suitable for empty enclosure

Type	Type of connection	Conductor can be clamped	Rated cross-section	No. of DU*	No. of PE*	Order No.
WDU 4	Screw connection	Solid / stranded Flexible / flexible with wire-end ferrule	0.5...6 mm ² / 1.5...6 mm ² 0.5...6 mm ² / 0.5...4 mm ²	17	2	8000004140

Note

Markers numbered 1-50 (horizontal text) and mounting screws are included in the delivery.
*DU = feed-through terminals, PE = PE terminals

Distribution box with ATEX II 2GD T85°C Ex e II T6




Drill holes side A	Drill holes side B	No. of DU*	No. of PE*	Order No.
4 x M20x1.5	4 x M20x1.5	17	2	8000004218
4 x M20x1.5	4 x M20x1.5	15	2	8000004219



Note

All enclosures are equipped with an external earth stud connection.
*DU = feed-through terminals, PE = PE terminals

Accessories

	Order No.
Cable glands	
 VG M20 EXE 7-13 SI 7J	2017500000
VG M20 EXE 11-14 SI 7J	2017510000
VG M20 EXE MS	1460050000
KSG M20 BN O NI 2 G20	1911560000
Stopping plugs	
 VP M20 EX SI 7J	2066730000
VP M20-EXE MS	1737150000
Adapters	
 ADAP EX M20-M16	1737560000

Note

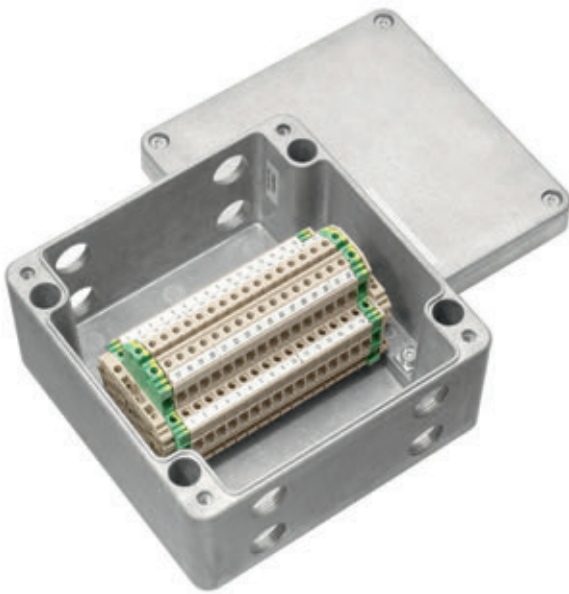
Terminal rail / mounting plate set

Product type	Type	Length	Order No.
 Mounting rail	TS35/148 KLIPPON K5 CSS	148 mm	1910080000

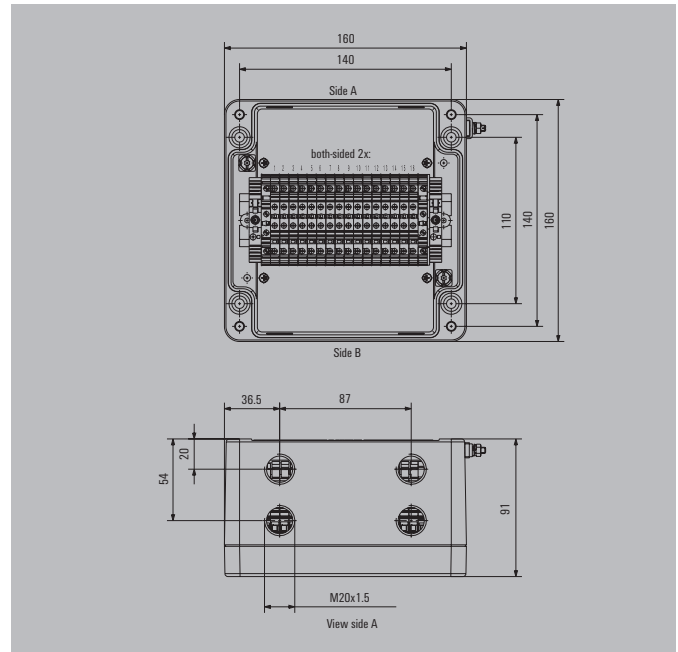
Note

Klippon® K52

91 mm



Height / Width / Depth 160 / 160 / 91 mm



Accessories

Cable glands		Order No.
	VG M20 EXE 7-13 SI 7J	2017500000
	VG M20 EXE 11-14 SI 7J	2017510000
	VG M20 EXE MS	1460050000
	KSG M20 BN O NI 2 G20	1911560000
Stopping plugs		Order No.
	VP M20 EX SI 7J	2066730000
	VP M20-EXE MS	1737150000
Adapters		Order No.
	ADAP EX M20-M16	1737560000

Note

Terminal block, suitable for empty enclosure

Type	Type of connection	Conductor can be clamped	Rated cross-section	No. of DU*	No. of PE*	Order No.	
	ZDK 2.5	Tension clamp connection	Double-level terminal	0.5...2.5 mm ² / ... 0.5...2.5 mm ² / 0.5...2.5 mm ²	19	2	8000004143
	WDK 4N	Screw connection	Solid / stranded Flexible / flexible with wire-end ferrule	0.5...6 mm ² / 1.5...6 mm ² 0.5...4 mm ² / 0.5...4 mm ²	16	2	8000004142

Note Markers numbered 1-50 (horizontal text) and mounting screws are included in the delivery.
*DU = feed-through terminals, PE = PE terminals

Distribution box with ATEX II 2GD T85°C Ex e II T6

Drill holes side A	Drill holes side B	No. of DU*	No. of PE*	Order No.
4 x M20x1.5	4 x M20x1.5	16	2	8000004220
4 x M20x1.5	4 x M20x1.5	19	2	8000004221

Terminal rail / mounting plate set

Product type	Type	Length	Order No.	
	Mounting rail	TS35/140 Klippon K52 POK51	140 mm	1910100000



Note All enclosures are equipped with an external earth stud connection.
*DU = feed-through terminals, PE = PE terminals






Note

Klippon® Protect Terminal Boxes – Product overview: Polyester enclosure

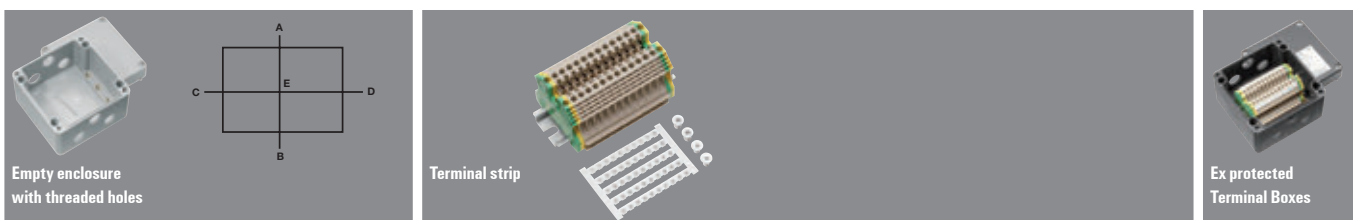
Use the product overview to find the right solution for you! Combine your own industrial version consisting of an enclosure, with or without threaded holes, a suitable mounting rail or pre-fitted terminal strips. The compatible components are always shown in a row.

Klippon® Protect offers you approved Terminal Boxes with for use in explosive areas can be found in the last column. They come with threaded holes and are already equipped with a terminal strip.

Polyester enclosure

Dimensions of the enclosure height x width x depth mm	Enclosure type	Empty enclosure without threaded holes		Mounting rail (TS) / Mounting plate (MOPL)				
		Order No.	Qty.	Type	Length mm	Rail mounting slot dimensions mm	Order No.	Qty.
Polyester, RAL 7001								
75 x 80 x 55 	Klippon® 080806	1305810000	1	TS 15	68	4.5 x 20	1928060000	1
75 x 110 x 56 	Klippon® 081106	1305820000	1	TS 15	98	4.5 x 20	1928070000	1
75 x 160 x 56 	Klippon® 081606	1305830000	1	TS 15	147	4.5 x 20	1928080000	1
120 x 122 x 90 	Klippon® 121209	1305870000	1	TS 35	105	6.3 x 20	1910070000	1
160 x 160 x 90 	Klippon® 161609	1305890000	1	TS 35	140	6.3 x 20	1910100000	1
		protection class IP 66		suitable for the enclosure of the respective line				

¹⁾ Multi-pole terminal blocks (block terminals BK 4, BK 6 or BK 12) can be directly fitted
²⁾ Space for further threaded holes up to M32



Threaded hole Side A	Threaded hole Side B	Order No.	Qty.	Connection technology	Cross-section mm ²	Number of DU*	Number of PE*	Order No.	Qty.	Order No.
----------------------	----------------------	-----------	------	-----------------------	-------------------------------	---------------	---------------	-----------	------	-----------

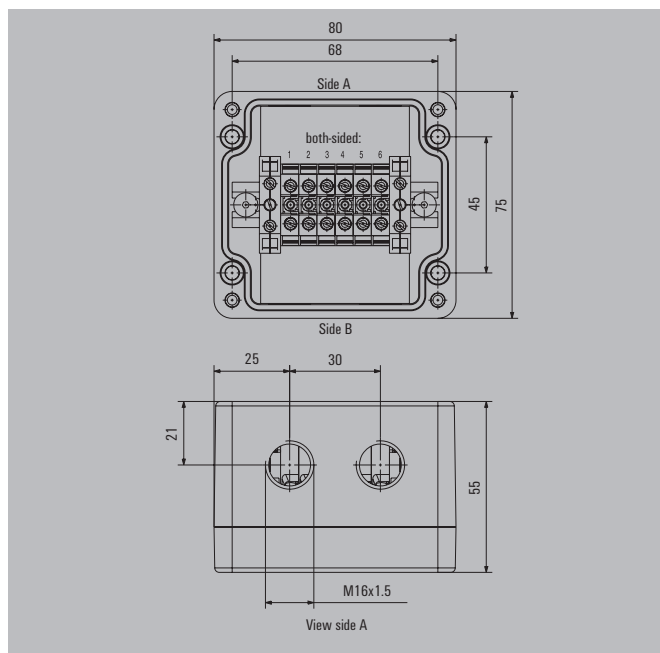
2x M16	2x M16	8000004160	1	Screw connection	4	4	0	8000004365 ¹⁾	1	8000004222
2x M16	2x M16			Screw connection	4	6	2	8000004144	1	8000004223
2x M20	2x M20	8000004161	1	Screw connection	4	6	0	8000004366 ¹⁾	1	8000004224
2x M20	2x M20			Screw connection	4	10	2	8000004145	1	8000004225
4x M20	4x M20	8000004162	1	Screw connection	4	12	0	8000004367 ¹⁾	1	8000004226
4x M20	4x M20			Screw connection	4	18	2	8000004146	1	8000004228
3x M20	3x M20	8000003448	1	Screw connection	4	12	2	8000003444	1	8000003593
3x M20	3x M20								1	8000003594
4x M20	4x M20	8000004164 ²⁾	1	Screw connection	4	16	2	8000004142	1	8000004229
4x M20	4x M20			Tension clamp connection	2.5	19	2	8000004143	1	8000004230

suitable for the enclosures of the respective line
 *DU = feed-through terminals, PE = PE terminals

Ex enclosure with an external earthing connection, holes and strip terminals in each row



Height / Width / Depth 75 / 80 / 55 mm



Empty enclosure with tapped holes

Drill holes side A	Drill holes side B	Order No.
2 x M16x1.5	2 x M16x1.5	800004160



Note

Accessories

Cable glands	Order No.
VG M16 EXE 5-8 SI 7J	2017380000
VG M16 EXE 6-10 SI 7J	2017390000
VG M16 EXE MS	1460040000
Stopping plugs	Order No.
VP M16 EX SI 7J	2066720000
VP M16-EXE MS	1737140000

Note

Terminal block, suitable for empty enclosure

Type	Type of connection	Conductor can be clamped	Rated cross-section	No. of DU*	No. of PE*	Order No.
BK 4/E	Screw connection	Solid / stranded	0.5...4 mm ² / 1.5...4 mm ²	4	0	8000004365
		Flexible / flexible with wire-end ferrule	0.5...4 mm ² / 0.5...4 mm ²			
AKZ 4	Screw connection	Solid / stranded	0.5...6 mm ² / 1.5...4 mm ²	6	2	8000004144
		Flexible / flexible with wire-end ferrule	0.5...4 mm ² / 0.5...2.5 mm ²			

Note Markers numbered 1-50 (horizontal text) and mounting screws are included in the delivery.
*DU = feed-through terminals, PE = PE terminals

Distribution box with ATEX II 2GD T85°C Ex e II T6

Drill holes side A	Drill holes side B	No. of DU*	No. of PE*	Order No.
2 x M16x1.5	2 x M16x1.5	6	2	8000004223
2 x M16x1.5	2 x M16x1.5	6	2	8000004222



Note Enclosures are delivered in RAL 9011.
*DU = feed-through terminals, PE = PE terminals

Terminal rail / mounting plate set

Product type	Type	Length	Order No.
Mounting rail	TS15 68 Klippon POK1 CSS	68 mm	1928060000

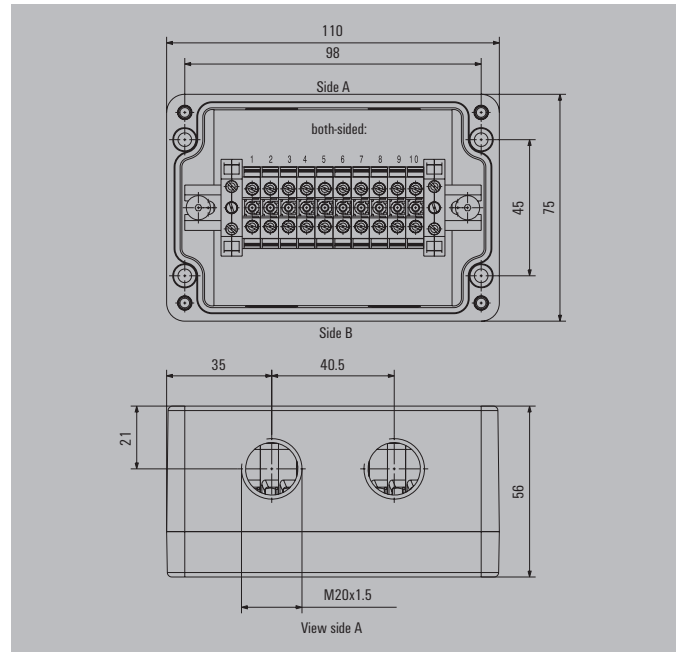
Note

Klippon® POK 081 106

56 mm



Height / Width / Depth 75 / 110 / 56 mm



Empty enclosure with tapped holes

Drill holes side A	Drill holes side B	Order No.
2 x M20x1.5	2 x M20x1.5	8000004161

Note

Terminal block, suitable for empty enclosure

Type	Type of connection	Conductor can be clamped	Rated cross-section	No. of DU*	No. of PE*	Order No.
BK 6/E	Screw connection	Solid / stranded	0.5...4 mm ² / 1.5...4 mm ²	6	0	8000004366
		Flexible / flexible with wire-end ferrule	0.5...4 mm ² / 0.5...4 mm ²			
AKZ 4	Screw connection	Solid / stranded	0.5...6 mm ² / 1.5...4 mm ²	10	2	8000004145
		Flexible / flexible with wire-end ferrule	0.5...4 mm ² / 0.5...2.5 mm ²			

Note Markers numbered 1-50 (horizontal text) and mounting screws are included in the delivery.
*DU = feed-through terminals, PE = PE terminals

Distribution box with ATEX II 2GD T85°C Ex e II T6

Drill holes side A	Drill holes side B	No. of DU*	No. of PE*	Order No.
2 x M20x1.5	2 x M20x1.5	10	2	8000004225
2 x M20x1.5	2 x M20x1.5	6	0	8000004224



Note Enclosures are delivered in RAL 9011.
*DU = feed-through terminals, PE = PE terminals

Accessories

Cable glands	Order No.
VG M20 EXE 7-13 SI 7J	2017500000
VG M20 EXE 11-14 SI 7J	2017510000
VG M20 EXE MS	1460050000
KSG M20 BN 0 NI 2 G20	1911560000
Stopping plugs	Order No.
VP M20 EX SI 7J	2066730000
VP M20-EXE MS	1737150000
Adapters	Order No.
ADAP EX M20-M16	1737560000

Note

Terminal rail / mounting plate set

Product type	Type	Length	Order No.
Mounting rail	TS15 98 Klippon POK2 CSS	98 mm	1928070000

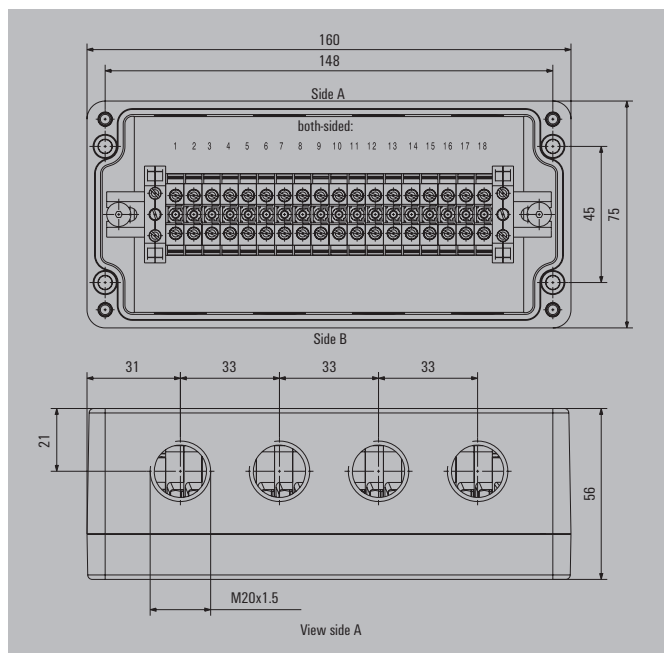
Note

Klippon® POK 081606


56 mm



Height / Width / Depth 75 / 160 / 56 mm





Empty enclosure with tapped holes

	Drill holes side A	Drill holes side B	Order No.
	4 x M20x1.5	4 x M20x1.5	8000004162

Note

Terminal block, suitable for empty enclosure

	Type	Type of connection	Conductor can be clamped	Rated cross-section	No. of DU*	No. of PE*	Order No.
	BK 12/E	Screw connection	Solid / stranded	0.5...4 mm ² / 1.5...4 mm ²	12	0	8000004367
			Flexible / flexible with wire-end ferrule	0.5...4 mm ² / 0.5...4 mm ²			
	AKZ 4	Screw connection	Solid / stranded	0.5...6 mm ² / 1.5...4 mm ²	18	2	8000004146
			Flexible / flexible with wire-end ferrule	0.5...4 mm ² / 0.5...2.5 mm ²			

Note Markers numbered 1-50 (horizontal text) and mounting screws are included in the delivery.
*DU = feed-through terminals, PE = PE terminals




Distribution box with ATEX II 2GD T85°C Ex e II T6

Drill holes side A	Drill holes side B	No. of DU*	No. of PE*	Order No.
4 x M20x1.5	4 x M20x1.5	18	2	8000004228
4 x M20x1.5	4 x M20x1.5	12	0	8000004226



Note Enclosures are delivered in RAL 9011.
*DU = feed-through terminals, PE = PE terminals

Accessories

		Order No.
	VG M20 EXE 7-13 SI 7J	2017500000
	VG M20 EXE 11-14 SI 7J	2017510000
	VG M20 EXE MS	1460050000
	KSG M20 BN O NI 2 G20	1911560000
	VP M20 EX SI 7J	2066730000
	VP M20-EXE MS	1737150000
	ADAP EX M20-M16	1737560000

Note

Terminal rail / mounting plate set

Product type	Type	Length	Order No.
	TS15 147 Klippon POK3 CSS	147 mm	1928080000

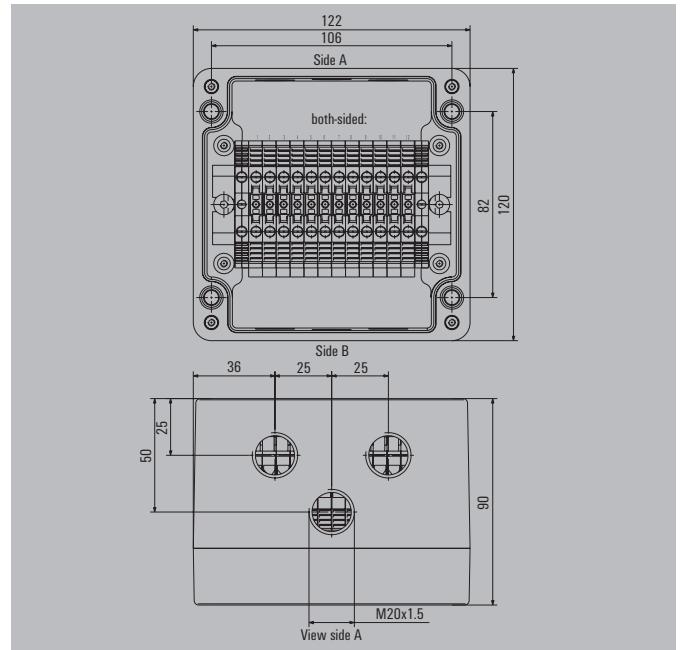
Note

Klippon® POK 121209

90 mm



Height / Width / Depth 120 / 122 / 90 mm



Enclosures Klippon® Protect

B

Empty enclosure with tapped holes

Drill holes side A	Drill holes side B	Order No.
3 x M20x1.5	3 x M20x1.5	800003448



Note

Accessories

Cable glands	Order No.
VG M20 EXE 7-13 SI 7J	2017500000
VG M20 EXE 11-14 SI 7J	2017510000
VG M20 EXE MS	1460050000
Stopping plugs	Order No.
VP M20 EX SI 7J	2066730000
VP M20-EXE MS	1737150000
Adapters	Order No.
ADAP EX M20-M16	1737560000

Note

Terminal block, suitable for empty enclosure

Type	Type of connection	Conductor can be clamped	Rated cross-section	No. of DU*	No. of PE*	Order No.
WDU 4	Screw connection	Solid / stranded	0.5...6 mm ² / 1.5...6 mm ²	12	2	800003444
		Flexible / flexible with wire-end ferrule	0.5...6 mm ² / 0.5...4 mm ²			



Note

Markers numbered 1-50 (horizontal text) and mounting screws are included in the delivery.
*DU = feed-through terminals, PE = PE terminals

Distribution box with ATEX II 2GD T85°C Ex e II T6

Drill holes side A	Drill holes side B	No. of DU*	No. of PE*	Order No.
3 x M20x1.5	3 x M20x1.5	12	2	800003593
3 x M20x1.5	3 x M20x1.5	9	2	800003594



Note

Enclosures are delivered in RAL 9011.
*DU = feed-through terminals, PE = PE terminals

Terminal rail / mounting plate set

Product type	Type	Length	Order No.
Mounting rail	TS35 105 Klippon K41/POK4	105 mm	1910070000



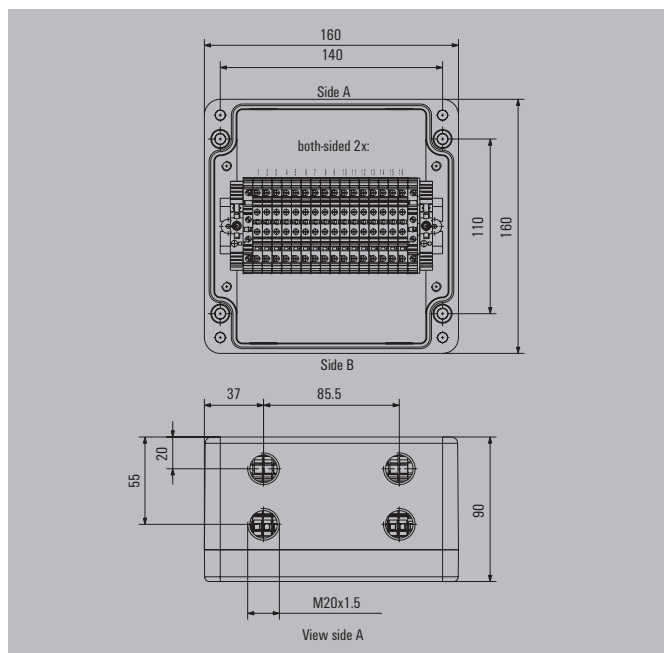
Note

Klippon® POK 161609

90 mm



Height / Width / Depth 160 / 160 / 90 mm



Empty enclosure with tapped holes

Drill holes side A	Drill holes side B	Order No.
4 x M20x1.5	4 x M20x1.5	800004164



Note

Terminal block, suitable for empty enclosure

Type	Type of connection	Conductor can be clamped	Rated cross-section	No. of DU*	No. of PE*	Order No.
ZDK 2.5	Tension clamp connection	Double-level terminal	0.5...2.5 mm ² / ... 0.5...2.5 mm ² / 0.5...2.5 mm ²	19	2	800004143
WDK 4N	Screw connection	Solid / stranded Flexible / flexible with wire-end ferrule	0.5...6 mm ² / 1.5...6 mm ² 0.5...4 mm ² / 0.5...4 mm ²	16	2	800004142

Note Markers numbered 1-50 (horizontal text) and mounting screws are included in the delivery.
*DU = feed-through terminals, PE = PE terminals

Distribution box with ATEX II 2GD T85°C Ex e II T6

Drill holes side A	Drill holes side B	No. of DU*	No. of PE*	Order No.
4 x M20x1.5	4 x M20x1.5	16	2	800004229
4 x M20x1.5	4 x M20x1.5	19	2	800004230



Note Enclosures are delivered in RAL 9011.
*DU = feed-through terminals, PE = PE terminals

Accessories

Accessories	Order No.
Cable glands	
VG M20 EXE 7-13 SI 7J	2017500000
VG M20 EXE 11-14 SI 7J	2017510000
VG M20 EXE MS	1460050000
KSG M20 BN O NI 2 G20	1911560000
Stopping plugs	
VP M20 EX SI 7J	2066730000
VP M20-EXE MS	1737150000
Adapters	
ADAP EX M20-M16	1737560000

Note

Terminal rail / mounting plate set

Product type	Type	Length	Order No.
Mounting rail	TS35/140 Klippon K52 POK51	140 mm	1910100000



Note

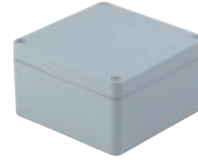
Enclosures

Enclosures	Introduction	C.2
	Klippon® TB MH - Multi Hinge	C.14
	Klippon® TB QL - Quarter Lock	C.40
	Klippon® TBi QL - Quarter Lock	C.66
	Klippon® TBi FS - Fixing Screw	C.82
	Klippon® STB - Sheet steel enclosures	C.96
	Klippon® K - Aluminium enclosures	C.108
	Klippon® POK - Polyester enclosures	C.130
	TBF - Polyester enclosures	C.152
	MPC - Polycarbonate enclosures	C.160
	FPC - Polycarbonate enclosures	C.168

Metal enclosures



	Klippon® TB MH	Klippon® TB QL	Klippon® TBi QL
Material	Stainless steel	Stainless steel	Stainless steel
Material Specification	Stainless steel 1.4404 (316L), enclosure 1.50 mm	Stainless steel 1.4404 (316L), enclosure 1.50 mm	Stainless steel 1.4301 (304), enclosure 1.50 mm
Sea water resistance	very good	very good	very good
UV resistance	very good	very good	very good
Halogen free / cadmium free	x / x	x / x	x / x
Surface finish	electropolished	electropolished	electropolished
Intended use	Explosive hazard areas, offshore, oil and gas industry, chemical industry, process industry	Explosive hazard areas, offshore, oil and gas industry, chemical industry, process industry	Machine construction, transport, power
Dimensions			
L x W x H (min.) in mm	229x152x133	229x152x133	300x200x150
L x W x H (max) in mm	987x740x200	987x740x200	800x600x220
Geometry	3 standard depths	3 standard depths	2 standard depths
Specific characteristics			
Gland plates	0,1,2,3,4	0,1,2,3,4	0,1
Type of gasket	Flat gasket	Flat gasket	Flat gasket
Seal material	Silicone	Silicone	Neoprene
Enclosure attachment	4 mounting feet with 11 mm hole size	4 mounting feet with 11 mm hole size	Direct mounting (11 mm mounting holes on rear wall) or via mounting feet (optionally available)
Installation mounting	4 or 6 mounting bolts with M6 threaded holes	4 or 6 mounting bolts with M6 threaded holes	Welded mounting bracket
Temperature range	-60 °C...+135 °C	-60 °C...+135 °C	-40 °C...+85 °C
Impact resistance	10 J Industrial applications 7 J ATEX applications	10 J Industrial applications 7 J ATEX applications	10 J Industrial applications
IP - protection class	IP 66, IP 67 /	IP 66 /	IP 66 /
NEMA protection class	Nema 3, Nema 4x, Nema 12	Nema 3, Nema 4x, Nema 12	Nema 3, Nema 4x, Nema 5
Flammability rating			
Surface resistance (in ohms)			
Approvals			
ATEX	x	x	
AEx	x	x	
CCOE / INMETRO	x / x	- / x	
cULus	x	x	x
EAC	x	x	
IECEX	x	x	
NEPSI / KOSHA	x / x	x / x	
RMR / LR / DNV GL	x / - / x	x / - / x	- / - / x
Configuration	Lid hinges Removable lid Gland plates Welded mounting feet Fitting for a padlock	Lid hinges Gland plates Welded mounting feet Quarter lock	Lid hinges Gland plates Direct mounting, Optional mounting feet Quarter lock



	Klippon® TBi FS	Klippon® STB		Klippon® K	
Material	Stainless steel	Stainless steel	Sheet steel	Aluminium	
Material Specification	Stainless steel 1.4301 (304), enclosure 1.50 mm	Stainless steel 1.4404 (316L) 1.50 mm	Powder-coated steel sheet 1.0330	High quality aluminium alloy (Al-Si12)	
Sea water resistance	very good	very good	good	good	
UV resistance	very good	very good	insufficient	very good	
Halogen free / cadmium free	x / x	x / x	x / x	x / x	
Surface finish	electropolished	electropolished, Mirror-polish	powder-coated	neutral, powder-coated	
Intended use	Machine construction, transport, power	Ex areas, packing industry, railways, shipping, process industry	Packing industry, railways, shipping, process industry	Ex-areas, process industry, transport, railways, shipping, port facilities, packaging, mechanical engineering	
Dimensions					
L x W x H (min.) in mm	300x200x150	120x120x80		50x45x30	
L x W x H (max) in mm	800x600x220	250x400x130		230x280x111	
Geometry	2 standard depths	5 standard depths		11 standard depths	
Specific characteristics		Ex-version	Industrial version	Ex-version	Industrial version
Gland plates	0, 1	none	none	none	none
Type of gasket	Flat gasket	Flat gasket	Flat gasket	Shaped gasket	Shaped gasket
Seal material	Neoprene	Silicone	Silicone	Silicone	Chloroprene, Silicone
Enclosure attachment	Direct mounting (11 mm mounting holes on rear wall) or via mounting feet (optionally available)	External holders with 8 mm holes	External holders with 8 mm holes	4 holes for M4 to M6 screws	4 holes for M4 to M6 screws
Installation mounting	Welded mounting bracket	20 mm C-rail welded to the enclosure	20 mm C-rail welded to the enclosure	M4 to M6 threaded holes	M4 to M6 threaded holes
Temperature range	-40 °C...+85 °C	-60 °C...120 °C	-60 °C...120 °C	-60 °C...135 °C	40 °C...+80 °C (CR); -60 °C...+135 °C (VMQ)
Impact resistance	10 J Industrial applications	7 J ATEX applications	10 J Industrial applications	7 J ATEX applications	10 J Industrial applications
IP - protection class	IP 66 /	IP 66 /	IP 66	IP 66, IP 67 /	IP 66, IP 67, IP 68 /
NEMA protection class	Nema 3, Nema 4x, Nema 5	Nema 4, 4x		Nema 4x	Nema 4x
Flammability rating					
Surface resistance (in ohms)					
Approvals					
ATEX		x		x	
AEx		x			
CCOE / INMETRO		- / x			
cULus	x	x			x
EAC		x		x	x
IECEX		x		x	
NEPSI / KOSHA		- / x			
RMR / LR / DNV GL	- / - / x	x / x / x	x / x / -	x / - / x	x / - / x
Configuration	Removable lid Gland plates Direct mounting, Optional mounting feet	TAS 20 C-profile rail Welded mounting feet Earth studs in enclosure lid and base		Internal earthing screw in the enclosure base an external earth stud	internal earthing screw in the enclosure base




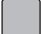
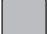
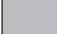
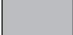
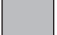
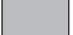
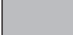
Plastic enclosures



	Klippon® POK		TBF	MPC	FPC
Material	Polyester		Polyester	Polycarbonate	Polycarbonate
Material Specification	Glass-fibre reinforced polyester in accordance with DIN 16913		Glass-fibre reinforced polyester, polycarbonate transparent cover		
Sea water resistance	very good		very good	very good	very good
UV resistance	good		good	good	good
Halogen free / cadmium free	x / x		x / x	x / x	x / x
Surface finish	Grey (industrial version), Black (Ex version)		grey	grey	grey
Intended use	Ex-areas, energy production, transportation, process industries, port facilities		Building installation, transportation, energy production, building sites, manufacturing industry, packaging industry	Building installation, transportation, energy production, building sites, manufacturing industry, packaging industry	Building installation, transportation, energy production, building sites, manufacturing industry, packaging industry
Dimensions					
L x W x H (min.) in mm	75x80x55		186x151x139	125x75x75	200x200x130
L x W x H (min.) in mm	250x600x120		603x603x175/210	250x175x150	600x400x130
Geometry	5 standard depths		3 standard depths	4 standard depths	1 standard depth
Specific characteristics	Ex version (Black)	Industrial version (grey)			
Gland plates	none	none	none	none	none
Type of gasket	Shaped seal	Shaped seal	O-ring	Foam seal	Foam seal
Seal material	Silicone	Chloroprene	Polyurethane	Polyurethane	Polyurethane
Enclosure attachment	4 holes for M4 to M6 screws	4 holes for M4 to M6 screws	4 holes or external mounting brackets (accessory)	4 holes or external mounting brackets (accessory)	4 holes or external mounting brackets (accessory)
Installation mounting	M4 to M6 threaded holes	M4 to M6 threaded holes	4 or 6 clamping screws M4	Self-tapping screws	Self-tapping screws
Temperature range	-55 °C...+100 °C	-40 °C...+100 °C	-50 °C...+130 °C (Continuous temperature max. 70 °C) (grey); 35 °C ...+120 °C ((Continuous temperature max. 70 °C) (transparent)	-50 °C...+100 °C (grey); -40 °C...+60 °C (transparent)	-50 °C...+100 °C (grey); -40 °C...+60 °C (transparent)
Impact resistance	7 J ATEX applications	5 J Industrial applications	IK08 nach IEC 6220, IK10 nach EN/IEC 62262	IK 08 (grey), IK 06 (transparent)	IK 08 (grey), IK 06 (transparent)
IP - protection class	IP 66	IP 66	IP 66 (transparent lid) IP 67 (grey lid)	IP 66, IP 67	IP 66, IP 67
Flammability rating	UL94 V0	UL94 V0	UL94 HB (grey), V2 (transparent)	V2	V2
Surface resistance (in ohms)	<10 ⁹	10 ¹²	10 ¹²	10 ¹⁶	10 ¹⁶
Approvals					
ATEX	x				
AEx	x				
CCOE / INMETRO					
EAC	x	x			
cULus	x	x			
IECEX	x				
NEPSI / KOSHA	- / x				
RMR / LR / DNV GL	x / x / x	- / x / x			
Configuration	Fastening screws for the mounting plate		grey or transparent lid	grey or transparent lid	grey or transparent lid




Overview of dimensions

Klippon® TB MH – Multi Hinge / Klippon® TB QL – Quarter Lock Page C.14

		Dimensions in mm Height x width x depth
	Klippon® TB MH	229 x 152 x 133
	Klippon® TB QL	
	Klippon® TB MH	260 x 260 x 150
	Klippon® TB QL	
	Klippon® TB MH	260 x 260 x 200
	Klippon® TB QL	
	Klippon® TB MH	306 x 306 x 150
	Klippon® TB QL	
	Klippon® TB MH	306 x 306 x 200
	Klippon® TB QL	
	Klippon® TB MH	350 x 260 x 150
	Klippon® TB QL	
	Klippon® TB MH	350 x 260 x 200
	Klippon® TB QL	
	Klippon® TB MH	400 x 300 x 150
	Klippon® TB QL	
	Klippon® TB MH	400 x 300 x 200
	Klippon® TB QL	
	Klippon® TB MH	458 x 382 x 150
	Klippon® TB QL	
	Klippon® TB MH	458 x 382 x 200
	Klippon® TB QL	
	Klippon® TB MH	480 x 480 x 150
	Klippon® TB QL	
	Klippon® TB MH	480 x 480 x 200
	Klippon® TB QL	
	Klippon® TB MH	550 x 350 x 150
	Klippon® TB QL	
	Klippon® TB MH	550 x 350 x 200
	Klippon® TB QL	
	Klippon® TB MH	620 x 450 x 150
	Klippon® TB QL	
	Klippon® TB MH	620 x 450 x 200
	Klippon® TB QL	
	Klippon® TB MH	762 x 508 x 150
	Klippon® TB QL	
	Klippon® TB MH	762 x 508 x 200
	Klippon® TB QL	




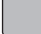


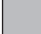
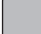

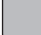
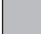
Note Additional enclosure sizes available on request.

Klippon® TB MH – Multi Hinge / Klippon® TB QL – Quarter Lock Page C.14

		Dimensions in mm Height x width x depth
	Klippon® TB MH	914 x 610 x 150
	Klippon® TB QL	
	Klippon® TB MH	914 x 610 x 200
	Klippon® TB QL	
	Klippon® TB MH	980 x 740 x 200
	Klippon® TB QL	

Note Additional enclosure sizes available on request.









Klippon® TBi FS - Fixing Screw / Klippon® TBi QL - Quarter Lock Page C.40

		Dimensions in mm Height x width x depth
	Klippon® TBi QL	300 x 200 x 150
	Klippon® TBi FS	
	Klippon® TBi QL	300 x 300 x 150
	Klippon® TBi FS	
	Klippon® TBi QL	300 x 300 x 220
	Klippon® TBi FS	
	Klippon® TBi QL	400 x 300 x 150
	Klippon® TBi FS	
	Klippon® TBi QL	400 x 300 x 220
	Klippon® TBi FS	
	Klippon® TBi QL	400 x 400 x 220
	Klippon® TBi FS	
	Klippon® TBi QL	500 x 400 x 220
	Klippon® TBi FS	
	Klippon® TBi QL	500 x 500 x 220
	Klippon® TBi FS	
	Klippon® TBi QL	600 x 400 x 220
	Klippon® TBi FS	
	Klippon® TBi QL	600 x 600 x 220
	Klippon® TBi FS	
	Klippon® TBi QL	800 x 600 x 200
	Klippon® TBi FS	

Note Additional enclosure sizes available on request.

Klippon® STB






Page C.96

		Dimensions in mm Height x width x depth
	1.4404 (316L), mirror polished 1.4404 (316L), electropolished MS RAL 7032	120 x 120 x 80
	1.4404 (316L), mirror polished 1.4404 (316L), electropolished MS RAL 7032	150 x 120 x 80
	1.4404 (316L), mirror polished 1.4404 (316L), electropolished MS RAL 7032	150 x 150 x 90
	1.4404 (316L), mirror polished 1.4404 (316L), electropolished MS RAL 7032	190 x 150 x 90
	1.4404 (316L), mirror polished 1.4404 (316L), electropolished MS RAL 7032	190 x 190 x 100
	1.4404 (316L), mirror polished 1.4404 (316L), electropolished MS RAL 7032	250 x 250 x 120
	1.4404 (316L), mirror polished 1.4404 (316L), electropolished MS RAL 7032	160 x 380 x 120
	1.4404 (316L), mirror polished 1.4404 (316L), electropolished MS RAL 7032	250 x 400 x 130

Information on the net weight of the enclosures can be found in the online catalogue. MS: Mild steel

Klippon® K











Page C.108

		Dimensions in mm Height x width x depth
	unpainted (S) unpainted (CR) RAL 7001 (CR) RAL 7001 (S)	45 x 50 x 30
	unpainted (S) unpainted (CR) RAL 7001 (CR) RAL 7001 (S)	64 x 58 x 34
	unpainted (S) unpainted (CR) RAL 7001 (CR) RAL 7001 (S)	64 x 98 x 34
	unpainted Ex (S) unpainted (CR) unpainted (S) RAL 7001 Ex (S) RAL 7001 (CR) RAL 7001 (S)	70 x 70 x 45
	unpainted Ex (S) unpainted (CR) unpainted (S) RAL 7001 Ex (S) RAL 7001 (CR) RAL 7001 (S)	80 x 75 x 57

Information on the net weight of the enclosures can be found in the online catalogue.

Klippon® K

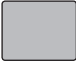


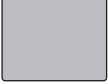
Page C.108

		Dimensions in mm Height x width x depth
	unpainted Ex (S) unpainted (CR) unpainted (S) RAL 7001 Ex (S) RAL 7001 (CR) RAL 7001 (S)	70 x 100 x 45
	unpainted Ex (S) unpainted (CR) unpainted (S) RAL 7001 Ex (S) RAL 7001 (CR) RAL 7001 (S)	80 x 125 x 57
	unpainted Ex (S) unpainted (CR) unpainted (S) RAL 7001 Ex (S) RAL 7001 (CR) RAL 7001 (S)	70 x 165 x 45
	unpainted Ex (S) unpainted (CR) unpainted (S) RAL 7001 Ex (S) RAL 7001 (CR) RAL 7001 (S)	80 x 175 x 57
	unpainted Ex (S) unpainted (CR) unpainted (S) RAL 7001 Ex (S) RAL 7001 (CR) RAL 7001 (S)	80 x 250 x 55
	unpainted Ex (S) unpainted (CR) unpainted (S) RAL 7001 Ex (S) RAL 7001 (CR) RAL 7001 (S)	82 x 130 x 72
	unpainted Ex (S) unpainted (CR) unpainted (S) RAL 7001 Ex (S) RAL 7001 (CR) RAL 7001 (S)	120 x 122 x 81
	unpainted Ex (S) unpainted (CR) unpainted (S) RAL 7001 Ex (S) RAL 7001 (CR) RAL 7001 (S)	130 x 170 x 90
	unpainted Ex (S) unpainted (CR) unpainted (S) RAL 7001 Ex (S) RAL 7001 (CR) RAL 7001 (S)	120 x 220 x 81
	unpainted Ex (S) unpainted (CR) unpainted (S) RAL 7001 Ex (S) RAL 7001 (CR) RAL 7001 (S)	160 x 160 x 91








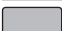




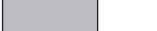

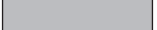
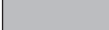

Information on the net weight of the enclosures can be found in the online catalogue.

Overview of dimensions

Klippon® K Page C.108

		Dimensions in mm Height x width x depth
	unpainted Ex (S)	160 x 200 x 100
	unpainted (CR)	
	unpainted (S)	
	RAL 7001 Ex (S)	
	RAL 7001 (CR)	
	unpainted Ex (S)	160 x 260 x 91
	unpainted (CR)	
	unpainted (S)	
	RAL 7001 Ex (S)	
	RAL 7001 (CR)	
	unpainted Ex (S)	160 x 350 x 100
	unpainted (CR)	
	unpainted (S)	
	RAL 7001 Ex (S)	
	RAL 7001 (CR)	
	unpainted Ex (S)	230 x 280 x 111
	unpainted (CR)	
	unpainted (S)	
	RAL 7001 Ex (S)	
	RAL 7001 (CR)	



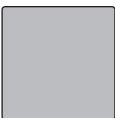





Klippon® POK Page C.130

		Dimensions in mm Height x width x depth
	RAL 7001	75 x 80 x 56
	RAL 9011	
	RAL 7001	75 x 110 x 55
	RAL 9011	
	RAL 7001	75 x 160 x 55
	RAL 9011	
	RAL 7001	75 x 190 x 55
	RAL 9011	
	RAL 7001	75 x 230 x 55
	RAL 9011	
	RAL 7001	120 x 122 x 91
	RAL 9011	
	RAL 7001	120 x 220 x 91
	RAL 9011	
	RAL 7001	160 x 160 x 91
	RAL 9011	
	RAL 7001	160 x 260 x 91
	RAL 9011	
	RAL 7001	160 x 360 x 91
	RAL 9011	
	RAL 7001	160 x 560 x 91
	RAL 9011	
	RAL 7001	250 x 255 x 121
	RAL 9011	
	RAL 7001	250 x 400 x 121
	RAL 9011	
	RAL 7001	250 x 600 x 121
	RAL 9011	
	RAL 7001	405 x 400 x 121
	RAL 9011	
	RAL 7001	250 x 255 x 161
	RAL 9011	
	RAL 7001	250 x 400 x 161
	RAL 9011	

Information on the net weight of the enclosures can be found in the online catalogue.


Information on the net weight of the enclosures can be found in the online catalogue.

TBF Page C.152

		Dimensions in mm Height x width x depth
	grey lid (RAL7035) transparent lid	186 x 151 x 140
	grey lid (RAL7035) transparent lid	302 x 186 x 175
	grey lid (RAL7035) transparent lid	302 x 302 x 175
	grey lid (RAL7035) transparent lid	372 x 302 x 175
	grey lid (RAL7035) transparent lid	488 x 302 x 175 488 x 302 x 210
	grey lid (RAL7035) transparent lid	558 x 302 x 175 558 x 302 x 210
	grey lid (RAL7035) transparent lid	603 x 302 x 175 603 x 302 x 210
	grey lid (RAL7035) transparent lid	603 x 372 x 175 603 x 372 x 210

Information on the net weight of the enclosures can be found in the online catalogue.



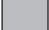
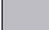
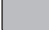
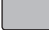
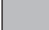
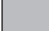
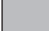
TBF Page C.152

		Dimensions in mm Height x width x depth
	grey lid (RAL7035) transparent lid	603 x 605 x 175 603 x 605 x 210

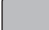


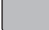
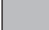

Information on the net weight of the enclosures can be found in the online catalogue.

Overview of dimensions

MPC Page C.160

		Dimensions in mm Height x width x depth
	grey lid (RAL7035) transparent lid	125 x 75 x 75
	grey lid (RAL7035) transparent lid	125 x 75 x 125
	grey lid (RAL7035) transparent lid	125 x 125 x 75
	grey lid (RAL7035) transparent lid	175 x 125 x 75
	grey lid (RAL7035) transparent lid	175 x 125 x 100
	grey lid (RAL7035) transparent lid	175 x 125 x 125
	grey lid (RAL7035) transparent lid	175 x 175 x 75
	grey lid (RAL7035) transparent lid	175 x 175 x 150
	grey lid (RAL7035) transparent lid	250 x 175 x 100

FPC Page C.168

		Dimensions in mm Height x width x depth
	grey lid (RAL7035) transparent lid	200 x 200 x 132
	grey lid (RAL7035) transparent lid	200 x 300 x 132
	grey lid (RAL7035) transparent lid	200 x 400 x 132
	grey lid (RAL7035) transparent lid	300 x 300 x 132
	grey lid (RAL7035) transparent lid	300 x 400 x 132
	grey lid (RAL7035) transparent lid	400 x 600 x 132

Information on the net weight of the enclosures can be found in the online catalogue.

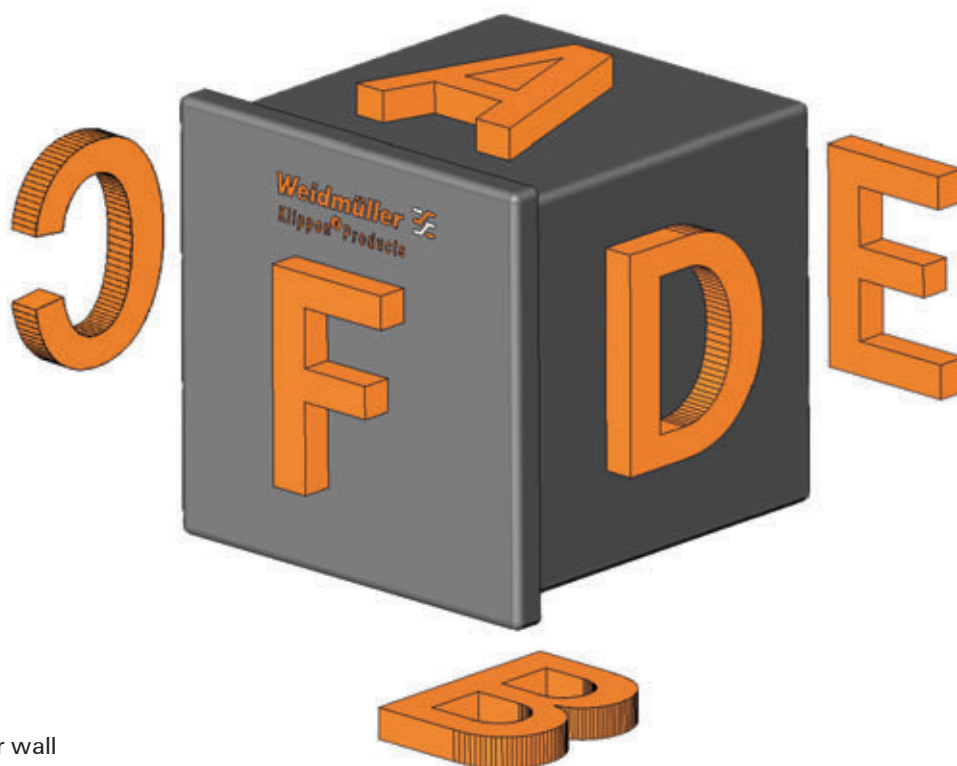
Drawing design – For chapter C

The drawings contained in chapter C are constructed in the following way.

To identify the enclosure side views, these are marked with the letters A, B, C, D, E, and F. The schematic 3D representations shown underneath are of an enclosure that has been wall mounted.

- F** shows the view of the enclosure lid (front aspect),
- E** shows the interior surface of the enclosure (rear wall of the enclosure with the cover removed).
- A** shows the view of the enclosure from above and
- B** the view of the enclosure from underneath.
- C** shows the left and
- D** the right side of the enclosure.
- E** is the front view of the enclosure interior with the cover removed (enclosure rear wall).

You can find the dimensions of the enclosure sides for all enclosure sizes in each drawing.



- A** = Top
- B** = Bottom
- C** = Left
- D** = Right
- E** = Enclosure rear wall
- F** = Enclosure lid

Klippon® TB enclosure series

Stainless steel enclosures for use within hazardous areas

The Klippon® TB enclosure series offers excellent performance characteristics and meets the stricter requirements of hazardous areas.

The enclosures are available in twelve sizes and three standard depths. They consist of 1.4404 (316L) stainless steel and meet the requirements of the IP66 and IP67 protection classes. The enclosures are tested with this equipment to the latest international standards, including EN 62208 and EN 60079.

Temperature and sealing characteristics

The enclosures come standard with a silicone seal for use under extreme temperatures.



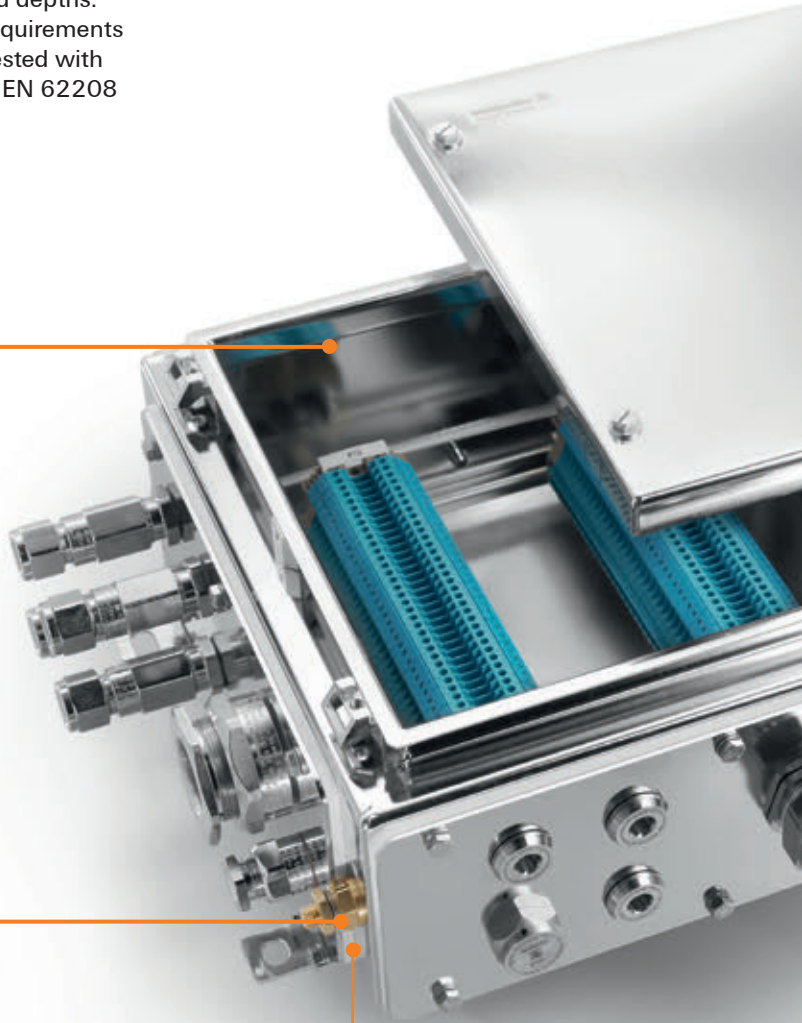
Safe protection

An integrated dust and moisture channel prevents dirt and moisture from penetrating when the enclosure is opened. The external earthing stud is equipped with an IP66/67 certified sealing mechanism and is protected against twisting.



Versatile installation options

Mounting bolts are located within the enclosure for installing rails and mounting plates. Welded-on mounting feet provide for a fast, secure and stable wall mounting.



Safety and stability

The different sealing systems prevents unauthorized access to the enclosure. Welded on inner thread sockets provide a stable attachment mechanism for gland plates and protect against leaks.



Easy installation

The enclosures are delivered with up to four gland plates so that cable glands can be easily and quickly installed and attached.



Klippon® cable glands

Our complete series of IP66 and IP68 cable glands and accessories are an excellent compliment to the Klippon® TB enclosure series. Cable glands enable the connection of armoured and unarmoured cables from M20 to M75.



Approvals

The Klippon® TB range of enclosures has been awarded international approvals.



Industrial segments

The enclosures are designed for use in a variety of applications and for use in hazardous areas in particular. Typical applications include the process industry, the petrochemicals and power generation. All enclosures are tested and approved in compliance with the latest international standards, including ATEX and IECEx according to EN60079.



Customer-specific solutions

Weidmüller's customer-specific-service provides comprehensive consultation, engineering and installation for modified enclosures. The enclosures can be modified during the production process according to customer demands and completed with various accessory components. There is a wide range of customer specific options available, such as enclosures with pre drilled holes and cutouts, various surfaces and materials, locking options and alternative sizes. Holders for documents and rating labels, door retainers, rain shields and many more accessories can also be installed on the enclosures per customer request.



Klippon® TB MH - Multi Hinge

Steel enclosures for use in industrial and in potentially explosive atmospheres

The Klippon® TB enclosure range features excellent performance characteristics, even under the most difficult environmental conditions, and also comply with the stricter requirements of potentially explosive atmospheres found in the process or power generation industries. The Klippon® TB MH enclosure range offers further improvements to a product line that is already successfully leading the market.

Weidmüller manufactures and supplies the enclosures to match customer specifications - fully fitted with terminal boxes, electronics and cable glands.

Features:

- Available in 12 sizes and 3 standard depths, with customer-specific sizes on request
- Equipped with up to 4 gland plates
- The gasket is protected against compression
- Completely removable padlock tab
- Cover lock outside the sealed zone
- Improved temperature performance
- IP 66/IP 67 protection
- Lid can be removed without a tool
- Earth studs in enclosure cover and bottom section
- Welded mounting feet
- International approvals



Overview of enclosures

Ordering data

Description	Height x width x depth in mm	1 Gland Plate (below)	2 Gland Plates (above + below)	3 Gland plates (below + sides)	4 Gland plates (all sides)	Reference product
KTb MH 221513 S4E_*	229 x 152 x 133	1194560000	1194570000	1194580000	1194590000	Klippon® TB10
KTb MH 262615 S4E_*	260 x 260 x 150	1194610000	1194620000	1194630000	1194640000	Klippon® TB10A
KTb MH 262620 S4E_*	260 x 260 x 200	1194660000	1194670000	1194680000	1194690000	Klippon® TB10A
KTb MH 303015 S4E_*	306 x 306 x 150	1194710000	1194720000	1194730000	1194740000	Klippon® TB11
KTb MH 303020 S4E_*	306 x 306 x 200	1194760000	1194770000	1194780000	1194790000	Klippon® TB11
KTb MH 352615 S4E_*	350 x 260 x 150	1194810000	1194820000	1194830000	1194840000	Klippon® TB11A
KTb MH 352620 S4E_*	350 x 260 x 200	1194860000	1194870000	1194880000	1194890000	Klippon® TB11A
KTb MH 403015 S4E_*	400 x 300 x 150	1194910000	1194920000	1194930000	1194940000	-
KTb MH 403020 S4E_*	400 x 300 x 200	1194960000	1194970000	1194980000	1194990000	-
KTb MH 453815 S4E_*	458 x 382 x 150	1195010000	1195020000	1195030000	1195040000	Klippon® TB12
KTb MH 453820 S4E_*	458 x 382 x 200	1195060000	1195070000	1195080000	1195090000	Klippon® TB12
KTb MH 484815 S4E_*	480 x 480 x 150	1195110000	1195120000	1195130000	1195140000	Klippon® TB12A
KTb MH 484820 S4E_*	480 x 480 x 200	1195160000	1195170000	1195180000	1195190000	Klippon® TB12A
KTb MH 553515 S4E_*	550 x 350 x 150	1195210000	1195220000	1195230000	1195240000	Klippon® TB12B
KTb MH 553520 S4E_*	550 x 350 x 200	1195260000	1195270000	1195280000	1195290000	Klippon® TB12B
KTb MH 624515 S4E_*	620 x 450 x 150	1195310000	1195320000	1195330000	1195340000	Klippon® TB12D
KTb MH 624520 S4E_*	620 x 450 x 200	1195360000	1195370000	1195380000	1195390000	Klippon® TB12D
KTb MH 765015 S4E_*	762 x 508 x 150	1195410000	1195420000	1195430000	1195440000	Klippon® TB13
KTb MH 765020 S4E_*	762 x 508 x 200	1195460000	1195470000	1195480000	1195490000	Klippon® TB13
KTb MH 916115 S4E_*	914 x 610 x 150	1195510000	1195520000	1195530000	1195540000	Klippon® TB14
KTb MH 916120 S4E_*	914 x 610 x 200	1195560000	1195570000	1195580000	1195590000	Klippon® TB14
KTb MH 987420 S4E_*	980 x 740 x 200	1195610000	1195620000	1195630000	1195640000	-

Note * Placeholder for the number of gland plates (1, 2, 3, 4). Klippon® TB MH enclosures are available without gland plates on request.

Technical Overview

Technical data

Enclosure material***	Stainless steel 1.4404 (316L) 1.5 mm
Surface finish	electropolished
IP protection class	IP 66 / IP 67 to DIN EN 60529
NEMA protection classes	3, 4x, 12
Gland plates	1 - 4 (fixed with M6 hexagon head screws with 10 mm heads), optionally without a gland plate
Gland plate thickness	3 mm (other thickness are available on request)
Earthing inside	Enclosure base and lid: welded M6 stainless steel earth studs
Earthing outside	Continuous M10 brass earth stud (optionally with stainless-steel earth stud)
Installation mounting	4 or 9 mounting bolts with M6 threaded holes to attach the mounting plate or mounting rail
Enclosure attachment	4 welded mounting feet with 11-mm holes (2 slotted and 2 cross-shaped openings)
Lid opening	Lid can be fully removed without the use of tools, can be fitted on both sides, lid opening angle: 130°
Cover attachment	4 hinges and M6 hex-head screws (AF 10) with slot
Equipped for a padlock	Removable padlock fitting, for additional product security
Impact resistance	7 J to IEC 60079-0, 10 J to DIN EN 50102
Gasket material	Silicone
Operating temperature range*	-60 °C...+135 °C
Torque - lid and gland plate screws**	2.5 Nm
Note	*Limited to IP 66 protection when used in temperatures greater than 105°C. ** To secure the lid, please use our hexagonal socket wrench with a 10 mm socket (9009070000) *** Painted enclosures are available on request.

Approvals for empty enclosures

ATEX certificate	IBExU14ATEX1028 U	EAC	RU-DE.08.B.00472
ATEX marking	II 2G Ex e IIC Gb II 2D Ex tb IIIC Db	cULus	E243298
		DNV GL	TAE000013S
IECEX certificate	IECEX IBE 14.0004U	Russian Maritime Register	15.40073.250
IECEX marking	Ex e IIC Gb Ex tb IIIC Db	CCOE	P267536/2
		INMETRO	IEEx 13.0006U
Nepsi Ex certificate	GYJ14.1308U	AEx	E223792
Nepsi Ex marking	Ex e IIC Gb, DIP A21		
Note	The Klippon® TB MH enclosure range can be pre-fitted in our customer specific production department according to your wishes.		

Approvals for control and distribution box

ATEX certificate	IBExU14ATEX1050	IECEX certificate	IECEX IBE 14.0013
ATEX marking	II 2G Ex e IIC T6... T4 Gb or II 2G Ex eb IIC T6... T4 II 1G Ex ia IIC T6... T4 Ga or II 1G Ex ia IIC T6... T4 II 2(1)G Ex e [ia Ga] IIC T6... T4 Gb or II 2(1)G Ex eb [ia Ga] IIC T6... T4 II 2D Ex tb IIIC T 85°C... 135°C Db or II 2D Ex tb IIIC T85 °C... T135 °C II 1D Ex ia IIIC T135 °C Da or II 1D Ex ia IIIC T135 °C	IECEX marking	Ex e IIC T6... T4 Gb or Ex eb IIC T6... T4 Ex ia IIC T6... T4 Ga or Ex ia IIC T6... T4 Ex e ia IIC T6... T4 Gb or Ex eb ia IIC T6... T4 Ex tb IIIC T85°C... T135°C Db or Ex tb IIIC T85 °C... T135 °C Ex ia IIIC T135 °C Da or Ex ia IIIC T135 °C
Nepsi Ex certificate	GYJ14.1309	INMETRO certificate	IEEx 13.0007
Nepsi marking	Ex e IIC T4...T6 Gb Ex ia IIC T4...T6 Ga Ex e ia IIC T4...T6 Gb DIP A21 T _a 85°C...T _a 135°C Ex ia D20 T85 °C... T135 °C	INMETRO marking	Ex e IIC T6...T4 Gb Ex ia IIC T6...T4 Ga Ex e ia IIC T6...T4 Gb Ex tb IIIC T85 °C...T135 °C Db IP66/IP67
EAC certificate	RUC-DE.08.B.01328	AEx certificate	E223792
EAC marking	II 2 G Ex eb IIC T6...T4 II 2 G Ex e IIC T6...T4 Gb II 1 G Ex ia IIC T6...T4 II 1 G Ex ia IIC T6...T4 Ga II 2(1) G Ex eb ia IIC T6...T4 II 2(1) G Ex e ia IIC T6...T4 Gb II 2 D Ex tb IIIC T85°C...T135°C II 2 D Ex tb IIIC T85°C...T135°C Db	AEx marking	Class I, Zone 1, AEx e IIC Gb T6...T4 Class I, Zone 2, AEx e IIC Gc T6...T4 Class I Div.2 Group A,B,C,D T6...T4 Class II Div.2 Group F,G Zone 21, AEx tb IIIC Db
Note	Labelling depends on the application layout. Limited to IP 66 protection when used in temperatures greater than 105 °C. For details of power dissipation, please contact your Weidmüller representative.		

Integrate, expand and customise: the perfect supplement to every application

The fully structured range of system accessories for the Klippon® TB enclosure range allows you to easily adapt the enclosure to meet the specific requirements of every application.

The following options are available:

1 Document holder

Document holders for storage of important documents in the enclosure.

2 Earthing studs

Earthing studs are replaceable. Available in two versions – brass and stainless steel.

3 Gland plates

Gland plates are available as spares and also in various material thicknesses.

4 Mounting plates

Mounting plates with and without a drilling pattern, for horizontal and vertical mounting of rails, or components fitted directly.

5 Mounting hardware kits

Mounting hardware kits are available for quick and easy installation of label holders, mounting plates, gland plates, document holders and rain hoods.

6 Door stay

A door stay prevent the door from being closed unintentionally, regardless of the mounting position of the enclosure. This item is **only** available Ex-works.

7 Locking systems

Various locking systems are available for the safe securing of the enclosure. There are padlocks for the Klippon® TB MH enclosures and a range of lock inserts for the Klippon® TB QL enclosures.

8 Type label holder

A range of label holders are available for product identification.

9 Rain hoods

The rain hood provides an ideal, additional level of protection for the enclosure. Particularly useful against heavy rainfall or extreme levels of direct sunlight.





Height / Width / Depth 229 / 152 / 133 mm

Ordering data

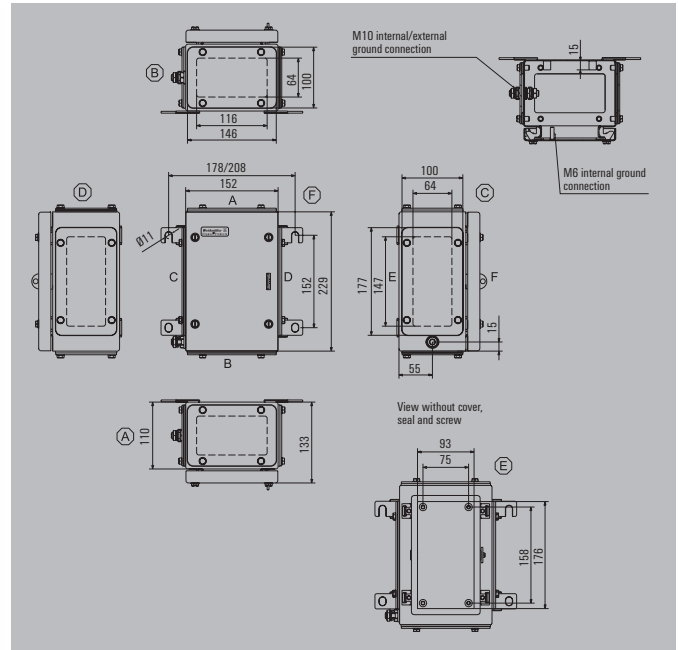
Stainless steel 1.4404 316L, electropolished	Order No.
1 gland plate - positioned down (B)	1194560000
2 gland plates - positioned at top and bottom (A & B)	1194570000
3 gland plates - positioned at bottom, left and right (B, C & D)	1194580000
4 gland plates - positioned at top, bottom, left and right (A, B, C & D)	1194590000

Note

Accessories

Mounting plates and fastening screws	Order No.
Steel sheet, zinc plated	1193930000
With hole pattern, sheet steel, galvanised	2022050000
Stainless steel 1.4301	1193810000
With hole pattern, natural stainless steel 1.4301	1257650000
Fastening screws for mounting plates	0642600000
Fastening screws for terminal rails	1274150000
Stainless steel spacer M6 x 8, Set of 4	
10 mm length	0935110000
15 mm length	0935120000
20 mm length	0935130000
30 mm length	0935140000
Gland plates - 3 mm with M6 earth studs	
Top and bottom sides (A & B), electropolished stainless steel 1.4404	2022770000
Left and right sides (C & D), electropolished stainless steel 1.4404	2022900000
Gland plates and screws - 6 mm	
Top and bottom sides (A & B), electropolished stainless steel 1.4404	1256270000
Left and right sides (C & D), electropolished stainless steel 1.4404	1256280000
Mounting screw, stainless steel 1.4404	1253230000
Rain hoods	
Stainless steel 1.4301, mirror-polished	1281360000
Stainless steel 1.4404, electro-polished	1314090000
Label holder	
70 x 70 angled stainless steel 1.4301	1279320000
Set of fixings*	
For label holders, rain hoods and document holders (rivet)	1252190000
For plastic (Trafolyte), identification plate (screw)	1285200000
Earthing stud	
Stainless steel 1.4404, M10	1192690000

Note * packing unit (PU) = 20 pcs., sufficient for 10 fixtures



Max. number of terminals (industry)

Max. number of terminals (industry)	vertical	horizontal
2.5 mm ²	1x29	1x15
4 mm ²		1x13
6 mm ²		1x9
10 mm ²		1x7
16 mm ²		1x6
35 mm ²		

Note

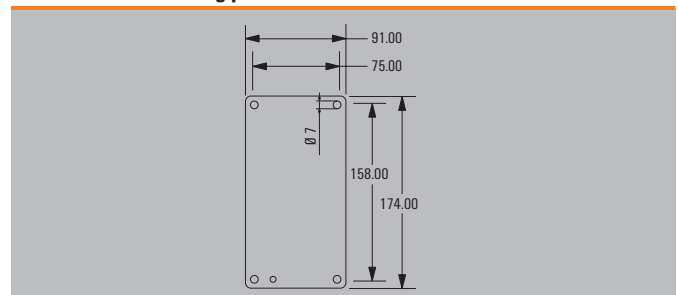
*For the enclosure versions with no, one or two gland plates, the horizontal distance of the mounting feet is reduced by 30 mm. When mounting modular terminals please leave a distance of 10 mm to the ends of the DIN rail. Ordering recommendations: TS 35 terminal rail (screw terminal) WDU 2.5 1020000000 / (tension clamp terminal) ZDU 2.5 1608510000 / (tension clamp terminal) PDU 2.5 1896110000 TS 32 terminal rail (screw terminal) SAK 2.5 0279660000 TS 15 terminal rail (screw terminal) AKZ 2.5 0697160000

Number of cable entries

Number of cable entries	A / B	C / D
M12	6	8
M16	5	6
M20	2	3
M25	2	2
M32	1	2
M40	1	2
M50	0	0
M63	0	0
M75	0	0

Note Our IP 68 brass cable glands serve as a reference for these recommended values.

Dimensions of mounting plate





Height / Width / Depth 260 / 260 / 150 mm

Ordering data

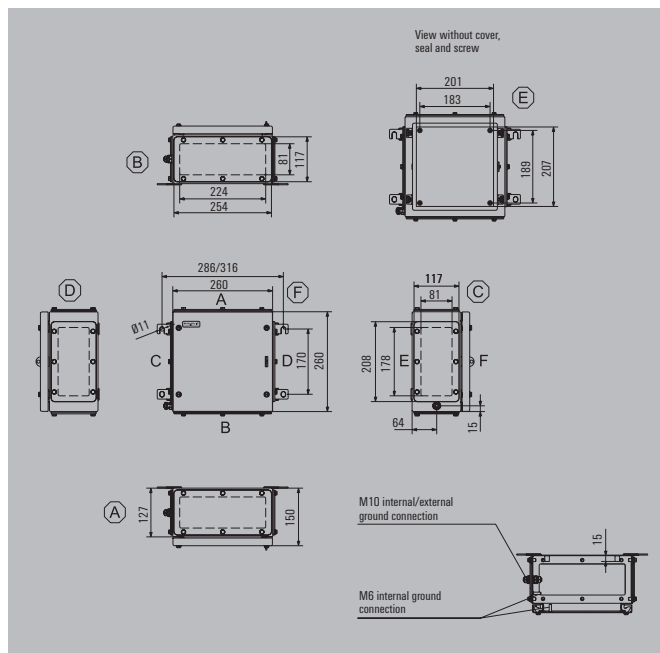
Stainless steel 1.4404 316L, electropolished	Order No.
1 gland plate - positioned down (B)	1194610000
2 gland plates - positioned at top and bottom (A & B)	1194620000
3 gland plates - positioned at bottom, left and right (B, C & D)	1194630000
4 gland plates - positioned at top, bottom, left and right (A, B, C & D)	1194640000

Note

Accessories

Mounting plates and fastening screws	Order No.
Steel sheet, zinc plated	1193950000
With hole pattern, sheet steel, galvanised	2022060000
Stainless steel 1.4301	1193820000
With hole pattern, natural stainless steel 1.4301	1257660000
Fastening screws for mounting plates	0642600000
Fastening screws for terminal rails	1274150000
Stainless steel spacer M6 x 8, Set of 4	
10 mm length	0935110000
15 mm length	0935120000
20 mm length	0935130000
30 mm length	0935140000
Gland plates - 3 mm with M6 earth studs	
Top and bottom sides (A & B), electropolished stainless steel 1.4404	2022930000
Left and right sides (C & D), electropolished stainless steel 1.4404	2023090000
Gland plates and screws - 6 mm	
Top and bottom sides (A & B), electropolished stainless steel 1.4404	1256290000
Left and right sides (C & D), electropolished stainless steel 1.4404	1256310000
Mounting screw, stainless steel 1.4404	1253230000
Rain hoods	
Stainless steel 1.4301, mirror-polished	1281370000
Stainless steel 1.4404, electro-polished	1314100000
Label holder	
70 x 70 angled stainless steel 1.4301	1279320000
130x50 stainless steel 1.4301	1283450000
100x25 stainless steel 1.4301	1257640000
Document holder	
For DIN A6 size documents	1252780000
Set of fixings*	
For label holders, rain hoods and document holders (rivet)	1252190000
For plastic (Trafolyte), identification plate (screw)	1285200000
Earthing stud	
Stainless steel 1.4404, M10	1192690000

Note * packing unit (PU) = 20 pcs., sufficient for 10 fixtures



Max. number of terminals (industry)

Max. number of terminals (industry)	vertical	horizontal
2.5 mm ²	2x35	2x34
4 mm ²	1x30	1x29
6 mm ²	1x22	1x22
10 mm ²	1x18	1x17
16 mm ²	1x15	1x14
35 mm ²		

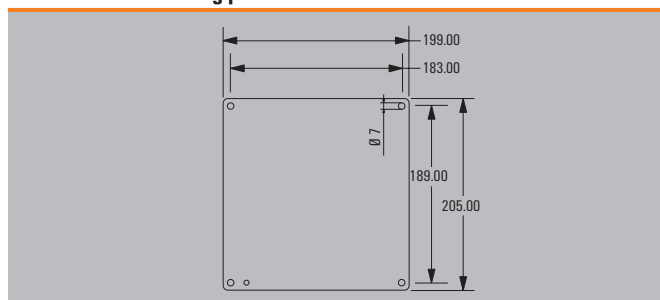
Note *For enclosure versions with zero, one or two gland plates, the horizontal gap between the mounting feet is reduced by 30 mm. Assembly with terminal blocks provides for 10 mm clearance to the ends of the mounting rail. Recommended order: TS 35 mounting rail (screw terminal) WDU 2.5 1020000000 / (tension clamp terminal) ZDU 2.5 1608510000 / (tension clamp terminal) PDU 2.5 1896110000 TS 32 mounting rail (screw terminal) SAK 2.5 0279660000 TS 15 mounting rail (screw terminal) AKZ 2.5 0697160000

Number of cable entries

Number of cable entries	A / B	C / D
M12	20	15
M16	11	8
M20	9	7
M25	4	3
M32	3	2
M40	3	2
M50	2	2
M63	0	0
M75	0	0

Note Our IP 68 brass cable glands are used as the reference for these guideline values.

Dimensions of mounting plate





Height / Width / Depth 260 / 260 / 200 mm

Ordering data

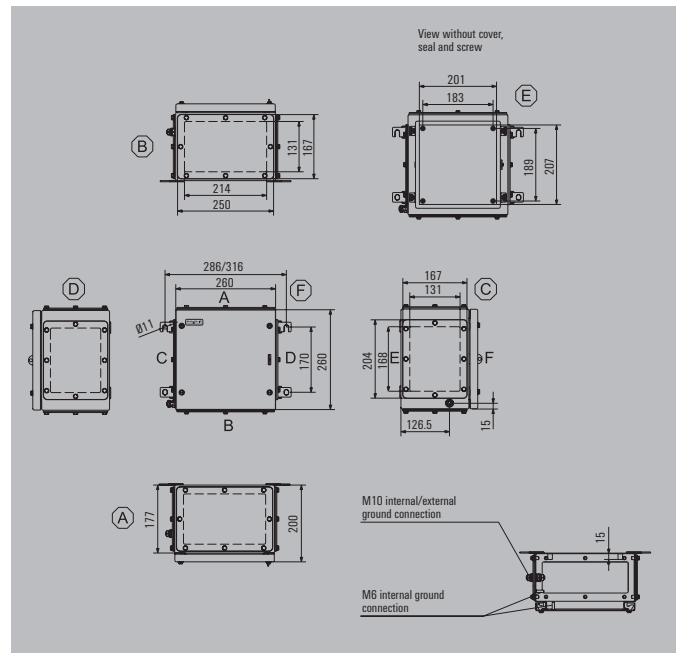
Stainless steel 1.4404 316L, electropolished	Order No.
1 gland plate - positioned down (B)	1194660000
2 gland plates - positioned at top and bottom (A & B)	1194670000
3 gland plates - positioned at bottom, left and right (B, C & D)	1194680000
4 gland plates - positioned at top, bottom, left and right (A, B, C & D)	1194690000

Note

Accessories

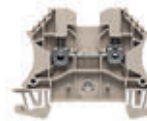
Mounting plates and fastening screws	Order No.
Steel sheet, zinc plated	1193950000
With hole pattern, sheet steel, galvanised	2022060000
Stainless steel 1.4301	1193820000
With hole pattern, natural stainless steel 1.4301	1257660000
Fastening screws for mounting plates	0642600000
Fastening screws for terminal rails	1274150000
Stainless steel spacer M6 x 8, Set of 4	
10 mm length	0935110000
15 mm length	0935120000
20 mm length	0935130000
30 mm length	0935140000
Gland plates - 3 mm with M6 earth studs	
Top and bottom sides (A & B), electropolished stainless steel 1.4404	2023100000
Left and right sides (C & D), electropolished stainless steel 1.4404	2023110000
Gland plates and screws - 6 mm	
Top and bottom sides (A & B), electropolished stainless steel 1.4404	1256320000
Left and right sides (C & D), electropolished stainless steel 1.4404	1256330000
Mounting screw, stainless steel 1.4404	1253230000
Rain hoods	
Stainless steel 1.4301, mirror-polished	1281380000
Stainless steel 1.4404, electro-polished	1314110000
Label holder	
70 x 70 angled stainless steel 1.4301	1279320000
130x50 stainless steel 1.4301	1283450000
100x25 stainless steel 1.4301	1257640000
Document holder	
For DIN A6 size documents	1252780000
Set of fixings*	
For label holders, rain hoods and document holders (rivet)	1252190000
For plastic (Trafolyte), identification plate (screw)	1285200000
Earthing stud	
Stainless steel 1.4404, M10	1192690000

Note * packing unit (PU) = 20 pcs., sufficient for 10 fixtures



Max. number of terminals (industry)

Max. number of terminals (industry)	vertical	horizontal
2.5 mm ²	2x35	2x34
4 mm ²	1x30	1x29
6 mm ²	1x22	1x22
10 mm ²	1x18	1x17
16 mm ²	1x15	1x14
35 mm ²		



Note

*For enclosure versions with zero, one or two gland plates, the horizontal gap between the mounting feet is reduced by 30 mm. Assembly with terminal blocks provides for 10 mm clearance to the ends of the mounting rail. Recommended order: TS 35 mounting rail (screw terminal) WDU 2.5 1020000000 / (tension clamp terminal) ZDU 2.5 1608510000 / (tension clamp terminal) PDU 2.5 1896110000 TS 32 mounting rail (screw terminal) SAK 2.5 0279660000 TS 15 mounting rail (screw terminal) AKZ 2.5 0697160000

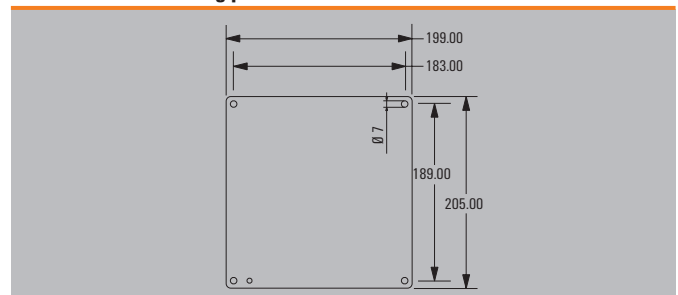
Number of cable entries

Number of cable entries	A / B	C / D
M12	33	25
M16	22	16
M20	14	11
M25	12	9
M32	6	4
M40	5	4
M50	2	2
M63	2	1
M75	1	1

Note

Our IP 68 brass cable glands serve as a reference for these recommended values.

Dimensions of mounting plate





Height / Width / Depth 306 / 306 / 150 mm

Ordering data

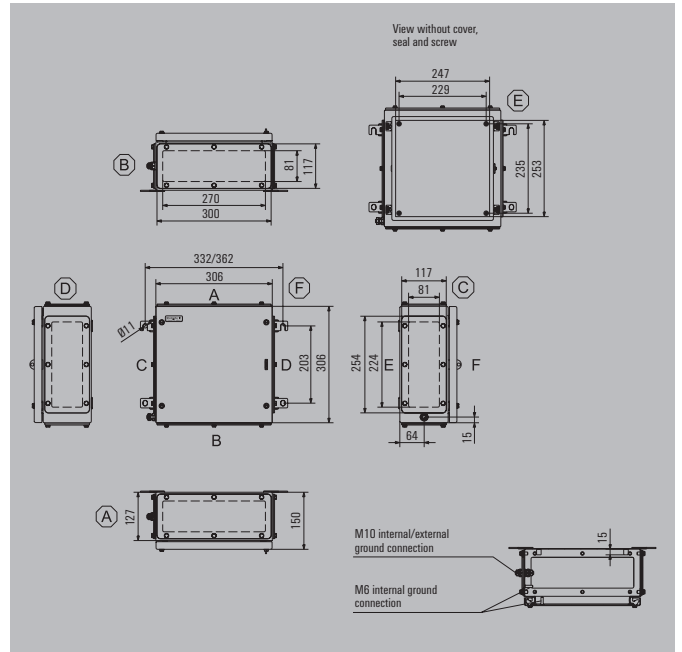
Stainless steel 1.4404 316L, electropolished	Order No.
1 gland plate - positioned down (B)	1194710000
2 gland plates - positioned at top and bottom (A & B)	1194720000
3 gland plates - positioned at bottom, left and right (B, C & D)	1194730000
4 gland plates - positioned at top, bottom, left and right (A, B, C & D)	1194740000

Note

Accessories

Mounting plates and fastening screws	Order No.
Steel sheet, zinc plated	1193960000
With hole pattern, sheet steel, galvanised	2022190000
Stainless steel 1.4301	1193830000
With hole pattern, natural stainless steel 1.4301	1257670000
Fastening screws for mounting plates	0642600000
Fastening screws for terminal rails	1274150000
Stainless steel spacer M6 x 8, Set of 4	
10 mm length	0935110000
15 mm length	0935120000
20 mm length	0935130000
30 mm length	0935140000
Gland plates - 3 mm with M6 earth studs	
Top and bottom sides (A & B), electropolished stainless steel 1.4404	2023120000
Left and right sides (C & D), electropolished stainless steel 1.4404	2023130000
Gland plates and screws - 6 mm	
Top and bottom sides (A & B), electropolished stainless steel 1.4404	1256340000
Left and right sides (C & D), electropolished stainless steel 1.4404	1256350000
Mounting screw, stainless steel 1.4404	1253230000
Rain hoods	
Stainless steel 1.4301, mirror-polished	1281390000
Stainless steel 1.4404, electro-polished	1314120000
Label holder	
70 x 70 angled stainless steel 1.4301	1279320000
130x50 stainless steel 1.4301	1283450000
100x25 stainless steel 1.4301	1257640000
Document holder	
For DIN A6 size documents	1252780000
Set of fixings*	
For label holders, rain hoods and document holders (rivet)	1252190000
For plastic (Trafolyte), identification plate (screw)	1285200000
Earthing stud	
Stainless steel 1.4404, M10	1192690000

Note * packing unit (PU) = 20 pcs., sufficient for 10 fixtures



Max. number of terminals (industry)

Max. number of terminals (industry)	vertical	horizontal
2.5 mm ²	2x44	2x43
4 mm ²	2x37	2x36
6 mm ²	2x28	2x27
10 mm ²	1x22	1x22
16 mm ²	1x19	1x18
35 mm ²	1x14	1x13

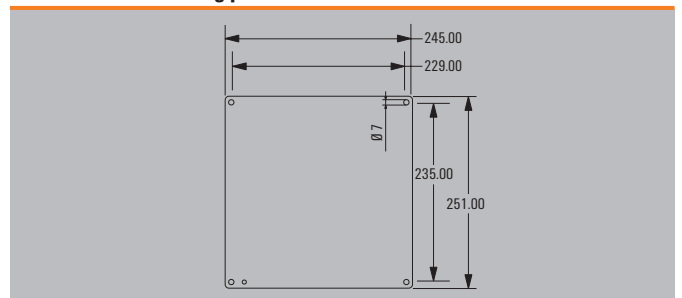
Note *For enclosure versions with zero, one or two gland plates, the horizontal gap between the mounting feet is reduced by 30 mm. Assembly with terminal blocks provides for 10 mm clearance to the ends of the mounting rail. Recommended order: TS 35 mounting rail (screw terminal) WDU 2.5 1020000000 / (tension clamp terminal) ZDU 2.5 1608510000 / (tension clamp terminal) PDU 2.5 1896110000 TS 32 mounting rail (screw terminal) SAK 2.5 0279660000 TS 15 mounting rail (screw terminal) AKZ 2.5 0697160000

Number of cable entries

Number of cable entries	A / B	C / D
M12	24	20
M16	13	11
M20	11	9
M25	5	4
M32	4	3
M40	3	3
M50	3	2
M63	0	0
M75	0	0

Note Our IP 68 brass cable glands are used as the reference for these guideline values.

Dimensions of mounting plate





Height / Width / Depth 306 / 306 / 200 mm

Ordering data

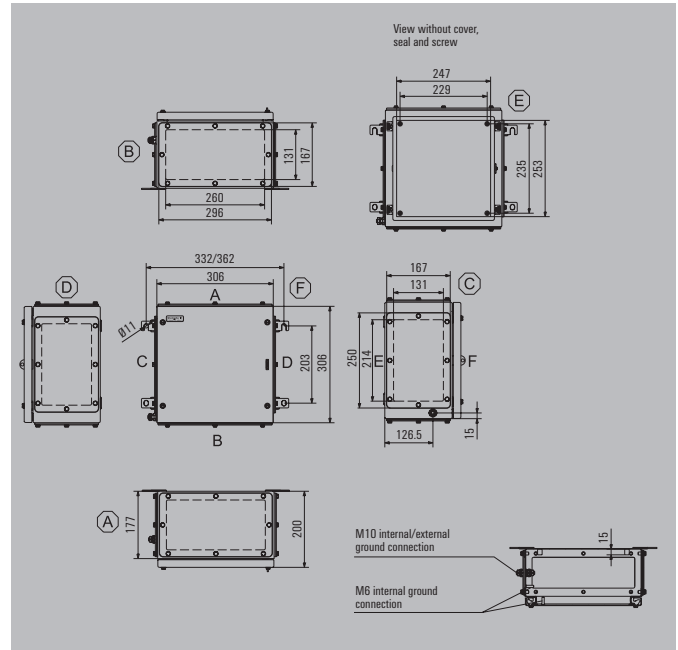
Stainless steel 1.4404 316L, electropolished	Order No.
1 gland plate - positioned down (B)	1194760000
2 gland plates - positioned at top and bottom (A & B)	1194770000
3 gland plates - positioned at bottom, left and right (B, C & D)	1194780000
4 gland plates - positioned at top, bottom, left and right (A, B, C & D)	1194790000

Note

Accessories

Mounting plates and fastening screws	Order No.
Steel sheet, zinc plated	1193960000
With hole pattern, sheet steel, galvanised	2022190000
Stainless steel 1.4301	1193830000
With hole pattern, natural stainless steel 1.4301	1257670000
Fastening screws for mounting plates	0642600000
Fastening screws for terminal rails	1274150000
Stainless steel spacer M6 x 8, Set of 4	
10 mm length	0935110000
15 mm length	0935120000
20 mm length	0935130000
30 mm length	0935140000
Gland plates - 3 mm with M6 earth studs	
Top and bottom sides (A & B), electropolished stainless steel 1.4404	2023140000
Left and right sides (C & D), electropolished stainless steel 1.4404	2023150000
Gland plates and screws - 6 mm	
Top and bottom sides (A & B), electropolished stainless steel 1.4404	1256360000
Left and right sides (C & D), electropolished stainless steel 1.4404	1256370000
Mounting screw, stainless steel 1.4404	1253230000
Rain hoods	
Stainless steel 1.4301, mirror-polished	1281400000
Stainless steel 1.4404, electro-polished	1314130000
Label holder	
70 x 70 angled stainless steel 1.4301	1279320000
130x50 stainless steel 1.4301	1283450000
100x25 stainless steel 1.4301	1257640000
Document holder	
For DIN A6 size documents	1252780000
Set of fixings*	
For label holders, rain hoods and document holders (rivet)	1252190000
For plastic (Trafolyte), identification plate (screw)	1285200000
Earthing stud	
Stainless steel 1.4404, M10	1192690000

Note * packing unit (PU) = 20 pcs., sufficient for 10 fixtures



Max. number of terminals (industry)

Max. number of terminals (industry)	vertical	horizontal
2.5 mm ²	2x44	2x43
4 mm ²	2x37	2x36
6 mm ²	2x28	2x27
10 mm ²	1x22	1x22
16 mm ²	1x19	1x18
35 mm ²	1x14	1x13

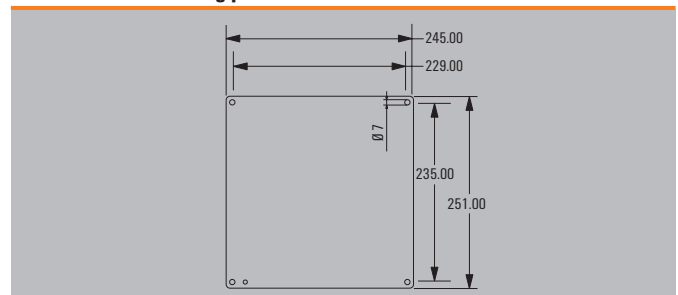
Note *For enclosure versions with zero, one or two gland plates, the horizontal gap between the mounting feet is reduced by 30 mm. Assembly with terminal blocks provides for 10 mm clearance to the ends of the mounting rail. Recommended order: TS 35 mounting rail (screw terminal) WDU 2.5 1020000000 / (tension clamp terminal) ZDU 2.5 1608510000 / (tension clamp terminal) PDU 2.5 1896110000 TS 32 mounting rail (screw terminal) SAK 2.5 0279660000 TS 15 mounting rail (screw terminal) AKZ 2.5 0697160000

Number of cable entries

Number of cable entries	A / B	C / D
M12	40	33
M16	26	22
M20	17	14
M25	14	12
M32	8	6
M40	6	5
M50	3	2
M63	2	2
M75	2	1

Note Our IP 68 brass cable glands serve as a reference for these recommended values.

Dimensions of mounting plate





Height / Width / Depth 350 / 260 / 150 mm

Ordering data

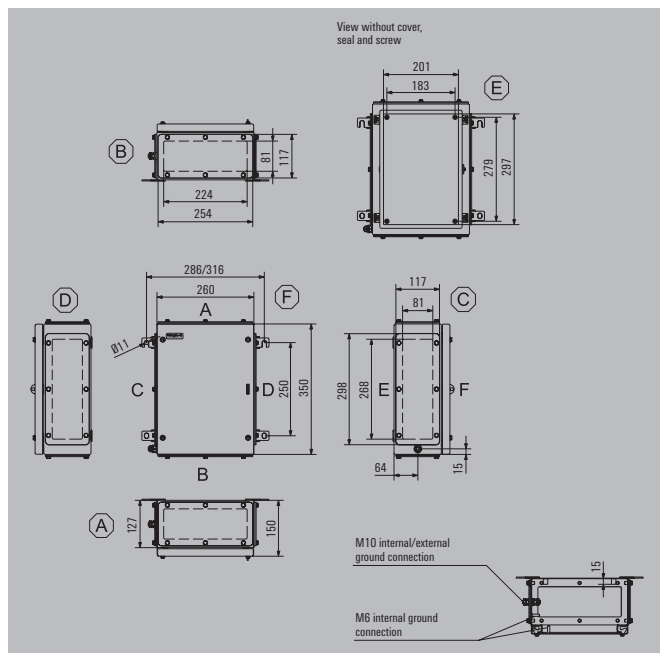
Stainless steel 1.4404 316L, electropolished	Order No.
1 gland plate - positioned down (B)	1194810000
2 gland plates - positioned at top and bottom (A & B)	1194820000
3 gland plates - positioned at bottom, left and right (B, C & D)	1194830000
4 gland plates - positioned at top, bottom, left and right (A, B, C & D)	1194840000

Note

Accessories

Mounting plates and fastening screws	Order No.
Steel sheet, zinc plated	1193970000
With hole pattern, sheet steel, galvanised	2022310000
Stainless steel 1.4301	1193840000
With hole pattern, natural stainless steel 1.4301	1257680000
Fastening screws for mounting plates	0642600000
Fastening screws for terminal rails	1274150000
Stainless steel spacer M6 x 8, Set of 4	
10 mm length	0935110000
15 mm length	0935120000
20 mm length	0935130000
30 mm length	0935140000
Gland plates - 3 mm with M6 earth studs	
Top and bottom sides (A & B), electropolished stainless steel 1.4404	2023160000
Left and right sides (C & D), electropolished stainless steel 1.4404	2023210000
Gland plates and screws - 6 mm	
Top and bottom sides (A & B), electropolished stainless steel 1.4404	1256380000
Left and right sides (C & D), electropolished stainless steel 1.4404	1256390000
Mounting screw, stainless steel 1.4404	1253230000
Rain hoods	
Stainless steel 1.4301, mirror-polished	1281410000
Stainless steel 1.4404, electro-polished	1314140000
Label holder	
70 x 70 angled stainless steel 1.4301	1279320000
130x50 stainless steel 1.4301	1283450000
100x25 stainless steel 1.4301	1257640000
Document holder	
For DIN A6 size documents	1252780000
Set of fixings*	
For label holders, rain hoods and document holders (rivet)	1252190000
For plastic (Trafolyte), identification plate (screw)	1285200000
Earthing stud	
Stainless steel 1.4404, M10	1192690000

Note * packing unit (PU) = 20 pcs., sufficient for 10 fixtures



Max. number of terminals (industry)

Max. number of terminals (industry)	vertical	horizontal
2.5 mm ²	2x53	2x34
4 mm ²	1x44	2x29
6 mm ²	1x33	2x22
10 mm ²	1x27	2x17
16 mm ²	1x22	1x14
35 mm ²		1x11

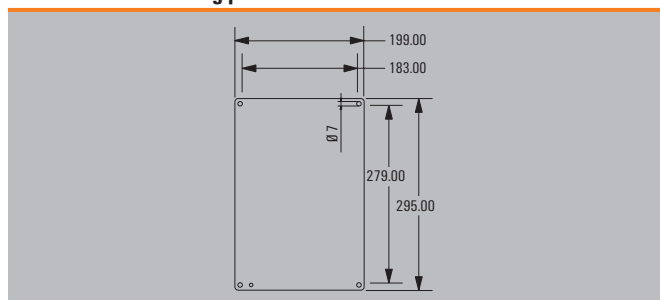
Note *For enclosure versions with zero, one or two gland plates, the horizontal gap between the mounting feet is reduced by 30 mm. Assembly with terminal blocks provides for 10 mm clearance to the ends of the mounting rail. Recommended order: TS 35 mounting rail (screw terminal) WDU 2.5 1020000000 / (tension clamp terminal) ZDU 2.5 1608510000 / (tension clamp terminal) PDU 2.5 1896110000 TS 32 mounting rail (screw terminal) SAK 2.5 0279660000 TS 15 mounting rail (screw terminal) AKZ 2.5 0697160000

Number of cable entries

Number of cable entries	A / B	C / D
M12	20	23
M16	11	13
M20	9	11
M25	4	5
M32	3	4
M40	3	3
M50	2	3
M63	0	0
M75	0	0

Note Our IP 68 brass cable glands are used as the reference for these guideline values.

Dimensions of mounting plate





Height / Width / Depth 350 / 260 / 200 mm

Ordering data

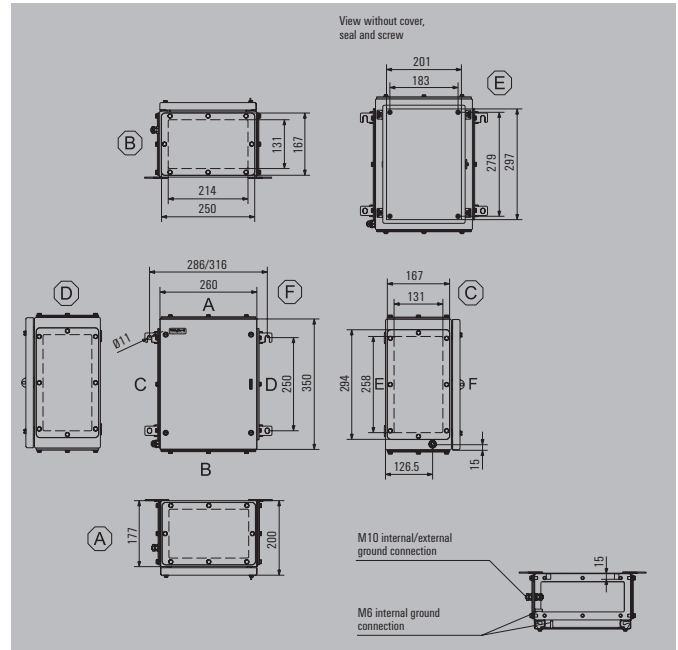
Stainless steel 1.4404 316L, electropolished	Order No.
1 gland plate - positioned down (B)	1194860000
2 gland plates - positioned at top and bottom (A & B)	1194870000
3 gland plates - positioned at bottom, left and right (B, C & D)	1194880000
4 gland plates - positioned at top, bottom, left and right (A, B, C & D)	1194890000

Note

Accessories

Mounting plates and fastening screws	Order No.
Steel sheet, zinc plated	1193970000
With hole pattern, sheet steel, galvanised	2022310000
Stainless steel 1.4301	1193840000
With hole pattern, natural stainless steel 1.4301	1257680000
Fastening screws for mounting plates	0642600000
Fastening screws for terminal rails	1274150000
Stainless steel spacer M6 x 8, Set of 4	
10 mm length	0935110000
15 mm length	0935120000
20 mm length	0935130000
30 mm length	0935140000
Gland plates - 3 mm with M6 earth studs	
Top and bottom sides (A & B), electropolished stainless steel 1.4404	2023230000
Left and right sides (C & D), electropolished stainless steel 1.4404	2023280000
Gland plates and screws - 6 mm	
Top and bottom sides (A & B), electropolished stainless steel 1.4404	1256410000
Left and right sides (C & D), electropolished stainless steel 1.4404	1256420000
Mounting screw, stainless steel 1.4404	1253230000
Rain hoods	
Stainless steel 1.4301, mirror-polished	1281420000
Stainless steel 1.4404, electro-polished	1314150000
Label holder	
70 x 70 angled stainless steel 1.4301	1279320000
130x50 stainless steel 1.4301	1283450000
100x25 stainless steel 1.4301	1257640000
Document holder	
For DIN A6 size documents	1252780000
Set of fixings*	
For label holders, rain hoods and document holders (rivet)	1252190000
For plastic (Trafolyte), identification plate (screw)	1285200000
Earthing stud	
Stainless steel 1.4404, M10	1192690000

Note * packing unit (PU) = 20 pcs., sufficient for 10 fixtures



Max. number of terminals (industry)

Max. number of terminals (industry)	vertical	horizontal
2.5 mm ²	2x53	2x34
4 mm ²	1x44	2x29
6 mm ²	1x33	2x22
10 mm ²	1x27	2x17
16 mm ²	1x22	1x14
35 mm ²		1x11

Note

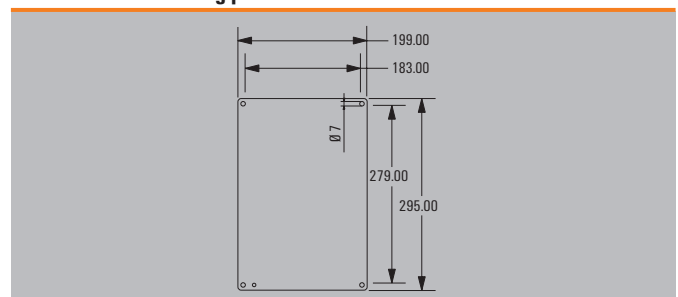
*For enclosure versions with zero, one or two gland plates, the horizontal gap between the mounting feet is reduced by 30 mm. Assembly with terminal blocks provides for 10 mm clearance to the ends of the mounting rail. Recommended order: TS 35 mounting rail (screw terminal) WDU 2.5 1020000000 / (tension clamp terminal) ZDU 2.5 1608510000 / (tension clamp terminal) PDU 2.5 1896110000 TS 32 mounting rail (screw terminal) SAK 2.5 0279660000 TS 15 mounting rail (screw terminal) AKZ 2.5 0697160000

Number of cable entries

Number of cable entries	A / B	C / D
M12	33	38
M16	22	26
M20	14	17
M25	12	14
M32	6	7
M40	5	6
M50	2	3
M63	2	2
M75	1	2

Note Our IP 68 brass cable glands serve as a reference for these recommended values.

Dimensions of mounting plate





Height / Width / Depth 400 / 300 / 150 mm

Ordering data

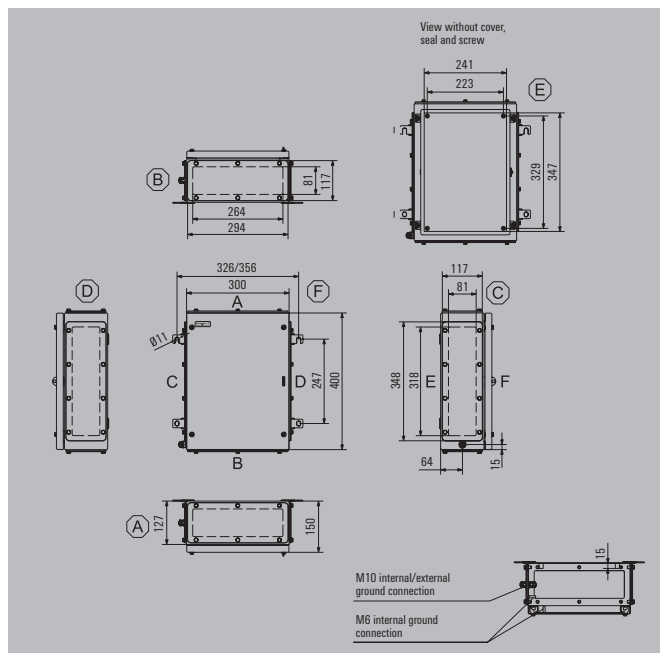
Stainless steel 1.4404 316L, electropolished	Order No.
1 gland plate - positioned down (B)	1194910000
2 gland plates - positioned at top and bottom (A & B)	1194920000
3 gland plates - positioned at bottom, left and right (B, C & D)	1194930000
4 gland plates - positioned at top, bottom, left and right (A, B, C & D)	1194940000

Note

Accessories

Mounting plates and fastening screws	Order No.
Steel sheet, zinc plated	1193980000
With hole pattern, sheet steel, galvanised	2022420000
Stainless steel 1.4301	1193850000
With hole pattern, natural stainless steel 1.4301	1257690000
Fastening screws for mounting plates	0642600000
Fastening screws for terminal rails	1274150000
Stainless steel spacer M6 x 8, Set of 4	
10 mm length	0935110000
15 mm length	0935120000
20 mm length	0935130000
30 mm length	0935140000
Gland plates - 3 mm with M6 earth studs	
Top and bottom sides (A & B), electropolished stainless steel 1.4404	2023320000
Left and right sides (C & D), electropolished stainless steel 1.4404	2023330000
Gland plates and screws - 6 mm	
Top and bottom sides (A & B), electropolished stainless steel 1.4404	1256430000
Left and right sides (C & D), electropolished stainless steel 1.4404	1256440000
Mounting screw, stainless steel 1.4404	1253230000
Rain hoods	
Stainless steel 1.4301, mirror-polished	1281430000
Stainless steel 1.4404, electro-polished	1314170000
Label holder	
70 x 70 angled stainless steel 1.4301	1279320000
130x50 stainless steel 1.4301	1283450000
100x25 stainless steel 1.4301	1257640000
Document holder	
For DIN A6 size documents	1252780000
Set of fixings*	
For label holders, rain hoods and document holders (rivet)	1252190000
For plastic (Trafolyte), identification plate (screw)	1285200000
Earthing stud	
Stainless steel 1.4404, M10	1192690000

Note * packing unit (PU) = 20 pcs., sufficient for 10 fixtures



Max. number of terminals (industry)

Max. number of terminals (industry)	vertical	horizontal
2.5 mm ²	2x62	3x42
4 mm ²	2x52	3x35
6 mm ²	1x39	2x26
10 mm ²	1x32	2x21
16 mm ²	1x26	2x18
35 mm ²	1x20	1x13

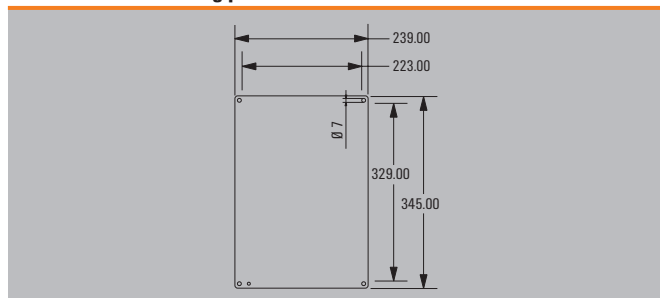
Note *For enclosure versions with zero, one or two gland plates, the horizontal gap between the mounting feet is reduced by 30 mm. Assembly with terminal blocks provides for 10 mm clearance to the ends of the mounting rail. Recommended order: TS 35 mounting rail (screw terminal) WDU 2.5 1020000000 / (tension clamp terminal) ZDU 2.5 1608510000 / (tension clamp terminal) PDU 2.5 1896110000 TS 32 mounting rail (screw terminal) SAK 2.5 0279660000 TS 15 mounting rail (screw terminal) AKZ 2.5 0697160000

Number of cable entries

Number of cable entries	A / B	C / D
M12	23	29
M16	13	16
M20	11	13
M25	5	6
M32	4	5
M40	3	4
M50	3	3
M63	0	0
M75	0	0

Note Our IP 68 brass cable glands are used as the reference for these guideline values.

Dimensions of mounting plate





Height / Width / Depth 400 / 300 / 200 mm

Ordering data

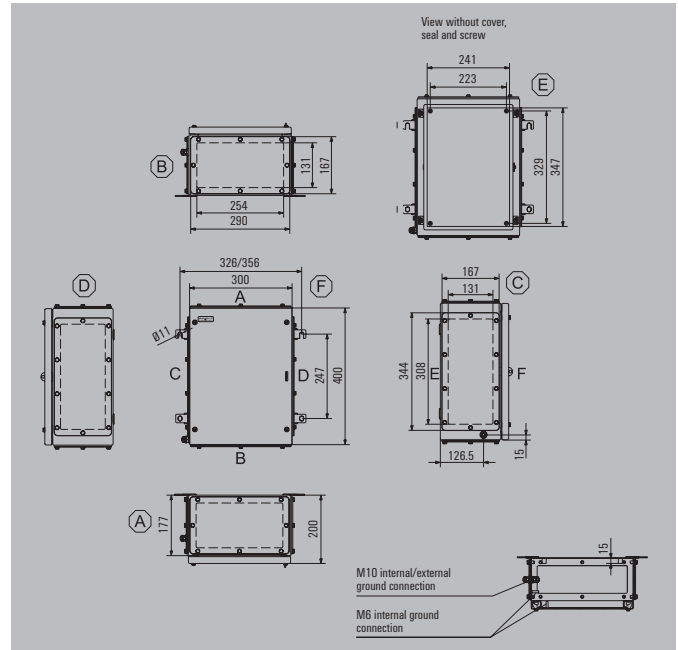
Stainless steel 1.4404 316L, electropolished	Order No.
1 gland plate - positioned down (B)	1194960000
2 gland plates - positioned at top and bottom (A & B)	1194970000
3 gland plates - positioned at bottom, left and right (B, C & D)	1194980000
4 gland plates - positioned at top, bottom, left and right (A, B, C & D)	1194990000

Note

Accessories

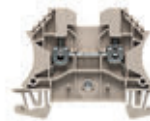
Mounting plates and fastening screws	Order No.
Steel sheet, zinc plated	1193980000
With hole pattern, sheet steel, galvanised	2022420000
Stainless steel 1.4301	1193850000
With hole pattern, natural stainless steel 1.4301	1257690000
Fastening screws for mounting plates	0642600000
Fastening screws for terminal rails	1274150000
Stainless steel spacer M6 x 8, Set of 4	
10 mm length	0935110000
15 mm length	0935120000
20 mm length	0935130000
30 mm length	0935140000
Gland plates - 3 mm with M6 earth studs	
Top and bottom sides (A & B), electropolished stainless steel 1.4404	2023450000
Left and right sides (C & D), electropolished stainless steel 1.4404	2023480000
Gland plates and screws - 6 mm	
Top and bottom sides (A & B), electropolished stainless steel 1.4404	1256450000
Left and right sides (C & D), electropolished stainless steel 1.4404	1256470000
Mounting screw, stainless steel 1.4404	1253230000
Rain hoods	
Stainless steel 1.4301, mirror-polished	1281440000
Stainless steel 1.4404, electro-polished	1314180000
Label holder	
70 x 70 angled stainless steel 1.4301	1279320000
130x50 stainless steel 1.4301	1283450000
100x25 stainless steel 1.4301	1257640000
Document holder	
For DIN A6 size documents	1252780000
Set of fixings*	
For label holders, rain hoods and document holders (rivet)	1252190000
For plastic (Trafolyte), identification plate (screw)	1285200000
Earthing stud	
Stainless steel 1.4404, M10	1192690000

Note * packing unit (PU) = 20 pcs., sufficient for 10 fixtures



Max. number of terminals (industry)

Max. number of terminals (industry)	vertical	horizontal
2.5 mm ²	2x62	3x42
4 mm ²	2x52	3x35
6 mm ²	1x39	2x26
10 mm ²	1x32	2x21
16 mm ²	1x26	2x18
35 mm ²	1x20	1x13



Note

*For enclosure versions with zero, one or two gland plates, the horizontal gap between the mounting feet is reduced by 30 mm. Assembly with terminal blocks provides for 10 mm clearance to the ends of the mounting rail. Recommended order: TS 35 mounting rail (screw terminal) WDU 2.5 1020000000 / (tension clamp terminal) ZDU 2.5 1608510000 / (tension clamp terminal) PDU 2.5 1896110000 TS 32 mounting rail (screw terminal) SAK 2.5 0279660000 TS 15 mounting rail (screw terminal) AKZ 2.5 0697160000

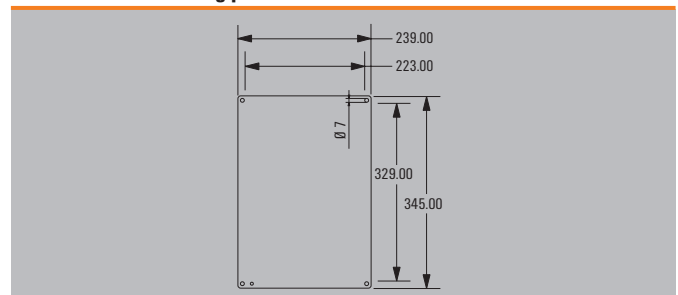
Number of cable entries

Number of cable entries	A / B	C / D
M12	38	48
M16	26	32
M20	17	20
M25	14	17
M32	7	9
M40	6	7
M50	3	3
M63	2	3
M75	2	2

Note

Our IP 68 brass cable glands serve as a reference for these recommended values.

Dimensions of mounting plate





Height / Width / Depth 458 / 382 / 150 mm

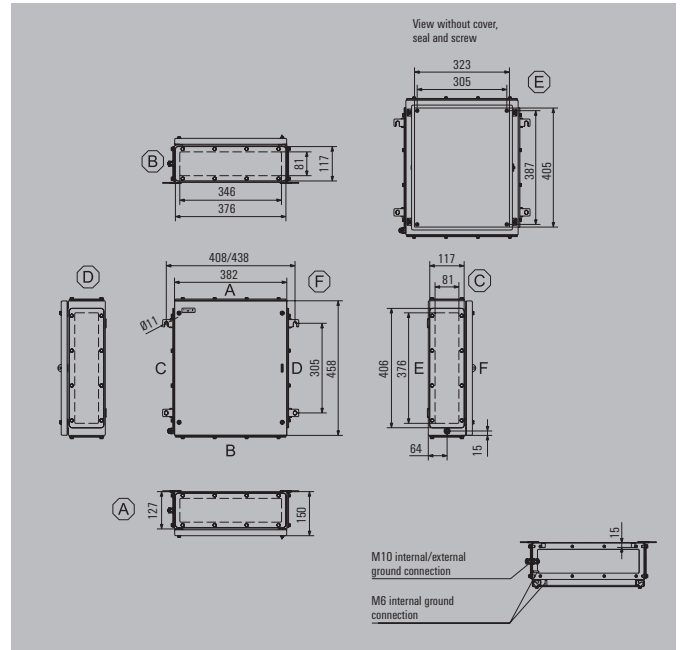
Ordering data

Stainless steel 1.4404 316L, electropolished	Order No.
1 gland plate - positioned down (B)	1195010000
2 gland plates - positioned at top and bottom (A & B)	1195020000
3 gland plates - positioned at bottom, left and right (B, C & D)	1195030000
4 gland plates - positioned at top, bottom, left and right (A, B, C & D)	1195040000

Note

Accessories

Mounting plates and fastening screws	Order No.
Steel sheet, zinc plated	1193990000
With hole pattern, sheet steel, galvanised	2022590000
Stainless steel 1.4301	1193860000
With hole pattern, natural stainless steel 1.4301	1257700000
Fastening screws for mounting plates	0642600000
Fastening screws for terminal rails	1274150000
Stainless steel spacer M6 x 8, Set of 4	
10 mm length	0935110000
15 mm length	0935120000
20 mm length	0935130000
30 mm length	0935140000
Gland plates - 3 mm with M6 earth studs	
Top and bottom sides (A & B), electropolished stainless steel 1.4404	2023490000
Left and right sides (C & D), electropolished stainless steel 1.4404	2023500000
Gland plates and screws - 6 mm	
Top and bottom sides (A & B), electropolished stainless steel 1.4404	1256480000
Left and right sides (C & D), electropolished stainless steel 1.4404	1256490000
Mounting screw, stainless steel 1.4404	1253230000
Rain hoods	
Stainless steel 1.4301, mirror-polished	1281450000
Stainless steel 1.4404, electro-polished	1314190000
Label holder	
70 x 70 angled stainless steel 1.4301	1279320000
130x50 stainless steel 1.4301	1283450000
100x25 stainless steel 1.4301	1257640000
Document holder	
For DIN A6 size documents	1252780000
For DIN A5 size documents	1252750000
Set of fixings*	
For label holders, rain hoods and document holders (rivet)	1252190000
For plastic (Trafolyte), identification plate (screw)	1285200000
Earthing stud	
Stainless steel 1.4404, M10	1192690000
Note	* packing unit (PU) = 20 pcs., sufficient for 10 fixtures



Max. number of terminals (industry)

Max. number of terminals (industry)	vertical	horizontal
2.5 mm ²	3x73	4x58
4 mm ²	2x62	3x48
6 mm ²	2x46	3x36
10 mm ²	2x37	2x29
16 mm ²	2x31	2x24
35 mm ²	1x23	1x18

Note

*For enclosure versions with zero, one or two gland plates, the horizontal gap between the mounting feet is reduced by 30 mm. Assembly with terminal blocks provides for 10 mm clearance to the ends of the mounting rail. Recommended order: TS 35 mounting rail (screw terminal) WDU 2.5 1020000000 / (tension clamp terminal) ZDU 2.5 1608510000 / (tension clamp terminal) PDU 2.5 1896110000 TS 32 mounting rail (screw terminal) SAK 2.5 0279660000 TS 15 mounting rail (screw terminal) AKZ 2.5 0697160000

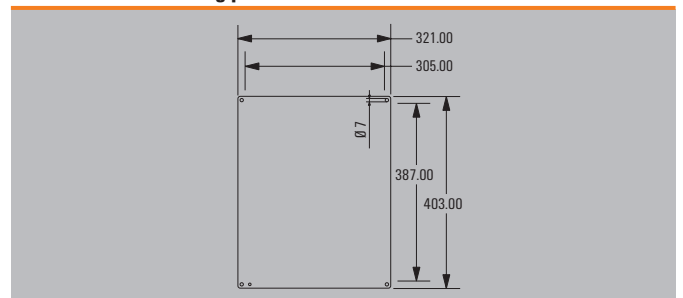
Number of cable entries

Number of cable entries	A / B	C / D
M12	30	33
M16	17	19
M20	15	16
M25	6	7
M32	5	6
M40	4	5
M50	4	4
M63	0	0
M75	0	0

Note

Our IP 68 brass cable glands serve as a reference for these recommended values.

Dimensions of mounting plate





Height / Width / Depth 458 / 382 / 200 mm

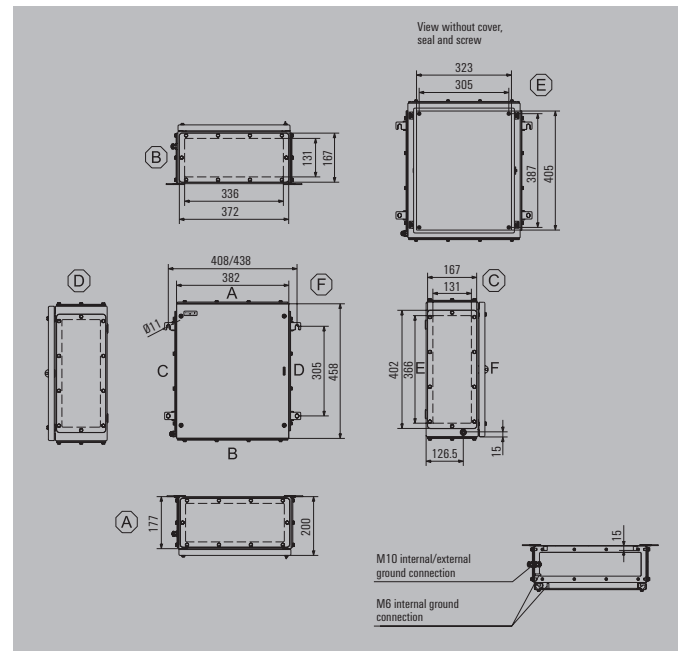
Ordering data

Stainless steel 1.4404 316L, electropolished	Order No.
1 gland plate - positioned down (B)	1195060000
2 gland plates - positioned at top and bottom (A & B)	1195070000
3 gland plates - positioned at bottom, left and right (B, C & D)	1195080000
4 gland plates - positioned at top, bottom, left and right (A, B, C & D)	1195090000

Note

Accessories

Mounting plates and fastening screws	Order No.
Steel sheet, zinc plated	1193990000
With hole pattern, sheet steel, galvanised	2022590000
Stainless steel 1.4301	1193860000
With hole pattern, natural stainless steel 1.4301	1257700000
Fastening screws for mounting plates	0642600000
Fastening screws for terminal rails	1274150000
Stainless steel spacer M6 x 8, Set of 4	
10 mm length	0935110000
15 mm length	0935120000
20 mm length	0935130000
30 mm length	0935140000
Gland plates - 3 mm with M6 earth studs	
Top and bottom sides (A & B), electropolished stainless steel 1.4404	2023510000
Left and right sides (C & D), electropolished stainless steel 1.4404	2023520000
Gland plates and screws - 6 mm	
Top and bottom sides (A & B), electropolished stainless steel 1.4404	1256510000
Left and right sides (C & D), electropolished stainless steel 1.4404	1256520000
Mounting screw, stainless steel 1.4404	1253230000
Rain hoods	
Stainless steel 1.4301, mirror-polished	1281460000
Stainless steel 1.4404, electro-polished	1314200000
Label holder	
70 x 70 angled stainless steel 1.4301	1279320000
130x50 stainless steel 1.4301	1283450000
100x25 stainless steel 1.4301	1257640000
Document holder	
For DIN A6 size documents	1252780000
For DIN A5 size documents	1252750000
Set of fixings*	
For label holders, rain hoods and document holders (rivet)	1252190000
For plastic (Trafolyte), identification plate (screw)	1285200000
Earthing stud	
Stainless steel 1.4404, M10	1192690000
Note	* packing unit (PU) = 20 pcs., sufficient for 10 fixtures



Max. number of terminals (industry)

Max. number of terminals (industry)	vertical	horizontal
2.5 mm ²	3x73	4x58
4 mm ²	2x62	3x48
6 mm ²	2x46	3x36
10 mm ²	2x37	2x29
16 mm ²	2x31	2x24
35 mm ²	1x23	1x18

Note

*For enclosure versions with zero, one or two gland plates, the horizontal gap between the mounting feet is reduced by 30 mm. Assembly with terminal blocks provides for 10 mm clearance to the ends of the mounting rail. Recommended order: TS 35 mounting rail (screw terminal) WDU 2.5 1020000000 / (tension clamp terminal) ZDU 2.5 1608510000 / (tension clamp terminal) PDU 2.5 1896110000 TS 32 mounting rail (screw terminal) SAK 2.5 0279660000 TS 15 mounting rail (screw terminal) AKZ 2.5 0697160000

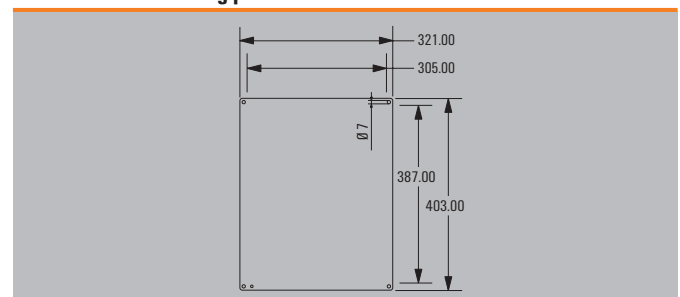
Number of cable entries

Number of cable entries	A / B	C / D
M12	50	55
M16	34	38
M20	23	24
M25	18	21
M32	10	11
M40	8	9
M50	4	4
M63	3	3
M75	2	3

Note

Our IP 68 brass cable glands are used as the reference for these guideline values.

Dimensions of mounting plate





Height / Width / Depth 480 / 480 / 150 mm

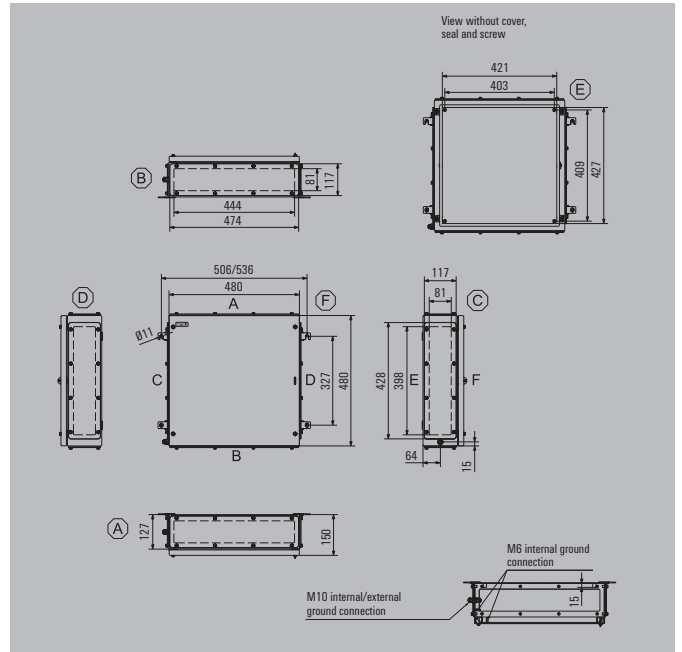
Ordering data

Stainless steel 1.4404 316L, electropolished	Order No.
1 gland plate - positioned down (B)	1195110000
2 gland plates - positioned at top and bottom (A & B)	1195120000
3 gland plates - positioned at bottom, left and right (B, C & D)	1195130000
4 gland plates - positioned at top, bottom, left and right (A, B, C & D)	1195140000

Note

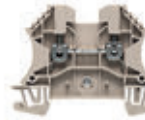
Accessories

Mounting plates and fastening screws	Order No.
Steel sheet, zinc plated	1194000000
With hole pattern, sheet steel, galvanised	2022610000
Stainless steel 1.4301	1193870000
With hole pattern, natural stainless steel 1.4301	1257710000
Fastening screws for mounting plates	0642600000
Fastening screws for terminal rails	1274150000
Stainless steel spacer M6 x 8, Set of 4	
10 mm length	0935110000
15 mm length	0935120000
20 mm length	0935130000
30 mm length	0935140000
Gland plates - 3 mm with M6 earth studs	
Top and bottom sides (A & B), electropolished stainless steel 1.4404	2023530000
Left and right sides (C & D), electropolished stainless steel 1.4404	2023540000
Gland plates and screws - 6 mm	
Top and bottom sides (A & B), electropolished stainless steel 1.4404	1256530000
Left and right sides (C & D), electropolished stainless steel 1.4404	1256540000
Mounting screw, stainless steel 1.4404	1253230000
Rain hoods	
Stainless steel 1.4301, mirror-polished	1281470000
Stainless steel 1.4404, electro-polished	1314220000
Label holder	
70 x 70 angled stainless steel 1.4301	1279320000
130x50 stainless steel 1.4301	1283450000
100x25 stainless steel 1.4301	1257640000
Document holder	
For DIN A6 size documents	1252780000
For DIN A5 size documents	1252750000
For DIN A4 size documents	1252730000
Set of fixings*	
For label holders, rain hoods and document holders (rivet)	1252190000
For plastic (Trafolyte), identification plate (screw)	1285200000
Earthing stud	
Stainless steel 1.4404, M10	1192690000
Note	* packing unit (PU) = 20 pcs., sufficient for 10 fixtures



Max. number of terminals (industry)

Max. number of terminals (industry)	vertical	horizontal
2.5 mm ²	4x78	4x77
4 mm ²	3x65	3x64
6 mm ²	3x49	3x48
10 mm ²	2x39	3x39
16 mm ²	2x33	2x32
35 mm ²	1x25	2x24



Note

*For enclosure versions with zero, one or two gland plates, the horizontal gap between the mounting feet is reduced by 30 mm. Assembly with terminal blocks provides for 10 mm clearance to the ends of the mounting rail. Recommended order: TS 35 mounting rail (screw terminal) WDU 2.5 1020000000 / (tension clamp terminal) ZDU 2.5 1608510000 / (tension clamp terminal) PDU 2.5 1896110000 TS 32 mounting rail (screw terminal) SAK 2.5 0279660000 TS 15 mounting rail (screw terminal) AKZ 2.5 0697160000

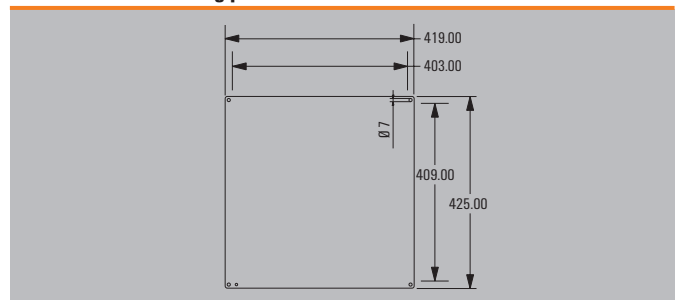
Number of cable entries

Number of cable entries	A / B	C / D
M12	39	36
M16	22	20
M20	19	17
M25	8	7
M32	7	6
M40	6	5
M50	5	4
M63	0	0
M75	0	0

Note

Our IP 68 brass cable glands serve as a reference for these recommended values.

Dimensions of mounting plate





Height / Width / Depth 480 / 480 / 200 mm

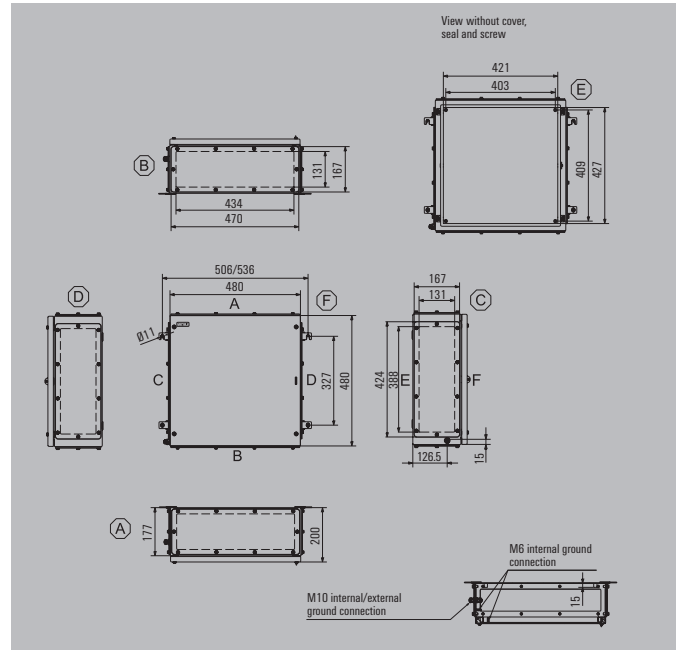
Ordering data

Stainless steel 1.4404 316L, electropolished	Order No.
1 gland plate - positioned down (B)	1195160000
2 gland plates - positioned at top and bottom (A & B)	1195170000
3 gland plates - positioned at bottom, left and right (B, C & D)	1195180000
4 gland plates - positioned at top, bottom, left and right (A, B, C & D)	1195190000

Note

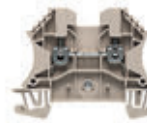
Accessories

Mounting plates and fastening screws	Order No.
Steel sheet, zinc plated	1194000000
With hole pattern, sheet steel, galvanised	2022610000
Stainless steel 1.4301	1193870000
With hole pattern, natural stainless steel 1.4301	1257710000
Fastening screws for mounting plates	0642600000
Fastening screws for terminal rails	1274150000
Stainless steel spacer M6 x 8, Set of 4	
10 mm length	0935110000
15 mm length	0935120000
20 mm length	0935130000
30 mm length	0935140000
Gland plates - 3 mm with M6 earth studs	
Top and bottom sides (A & B), electropolished stainless steel 1.4404	2023580000
Left and right sides (C & D), electropolished stainless steel 1.4404	2023620000
Gland plates and screws - 6 mm	
Top and bottom sides (A & B), electropolished stainless steel 1.4404	1256550000
Left and right sides (C & D), electropolished stainless steel 1.4404	1256560000
Mounting screw, stainless steel 1.4404	1253230000
Rain hoods	
Stainless steel 1.4301, mirror-polished	1281480000
Stainless steel 1.4404, electro-polished	1314230000
Label holder	
70 x 70 angled stainless steel 1.4301	1279320000
130x50 stainless steel 1.4301	1283450000
100x25 stainless steel 1.4301	1257640000
Document holder	
For DIN A6 size documents	1252780000
For DIN A5 size documents	1252750000
For DIN A4 size documents	1252730000
Set of fixings*	
For label holders, rain hoods and document holders (rivet)	1252190000
For plastic (Trafolyte), identification plate (screw)	1285200000
Earthing stud	
Stainless steel 1.4404, M10	1192690000
Note	* packing unit (PU) = 20 pcs., sufficient for 10 fixtures



Max. number of terminals (industry)

Max. number of terminals (industry)	vertical	horizontal
2.5 mm ²	4x78	4x77
4 mm ²	3x65	3x64
6 mm ²	3x49	3x48
10 mm ²	2x39	3x39
16 mm ²	2x33	2x32
35 mm ²	1x25	2x24



Note

*For enclosure versions with zero, one or two gland plates, the horizontal gap between the mounting feet is reduced by 30 mm. Assembly with terminal blocks provides for 10 mm clearance to the ends of the mounting rail. Recommended order: TS 35 mounting rail (screw terminal) WDU 2.5 1020000000 / (tension clamp terminal) ZDU 2.5 1608510000 / (tension clamp terminal) PDU 2.5 1896110000 TS 32 mounting rail (screw terminal) SAK 2.5 0279660000 TS 15 mounting rail (screw terminal) AKZ 2.5 0697160000

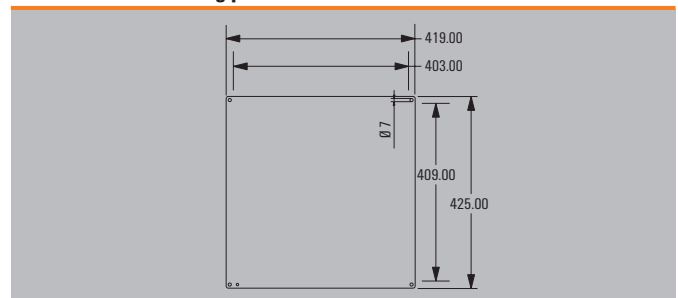
Number of cable entries

Number of cable entries	A / B	C / D
M12	65	60
M16	44	40
M20	29	26
M25	24	21
M32	13	12
M40	11	10
M50	5	4
M63	4	4
M75	3	3

Note

Our IP 68 brass cable glands are used as the reference for these guideline values.

Dimensions of mounting plate





Height / Width / Depth 550 / 350 / 150 mm

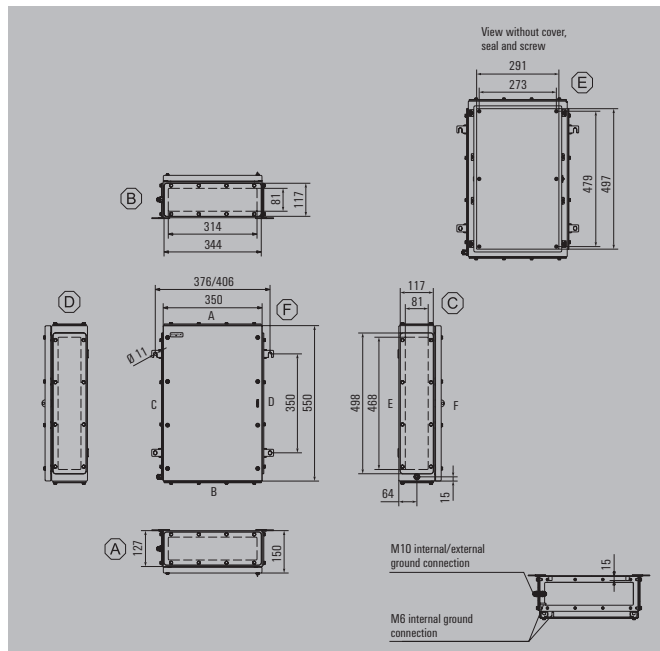
Ordering data

Stainless steel 1.4404 316L, electropolished	Order No.
1 gland plate - positioned down (B)	1195210000
2 gland plates - positioned at top and bottom (A & B)	1195220000
3 gland plates - positioned at bottom, left and right (B, C & D)	1195230000
4 gland plates - positioned at top, bottom, left and right (A, B, C & D)	1195240000

Note

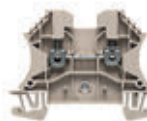
Accessories

Mounting plates and fastening screws	Order No.
Steel sheet, zinc plated	1194010000
With hole pattern, sheet steel, galvanised	2022650000
Stainless steel 1.4301	1193880000
With hole pattern, natural stainless steel 1.4301	1257720000
Fastening screws for mounting plates	0642600000
Fastening screws for terminal rails	1274150000
Stainless steel spacer M6 x 8, Set of 4	
10 mm length	0935110000
15 mm length	0935120000
20 mm length	0935130000
30 mm length	0935140000
Gland plates - 3 mm with M6 earth studs	
Top and bottom sides (A & B), electropolished stainless steel 1.4404	2023660000
Left and right sides (C & D), electropolished stainless steel 1.4404	2023670000
Gland plates and screws - 6 mm	
Top and bottom sides (A & B), electropolished stainless steel 1.4404	1256570000
Left and right sides (C & D), electropolished stainless steel 1.4404	1256580000
Mounting screw, stainless steel 1.4404	1253230000
Rain hoods	
Stainless steel 1.4301, mirror-polished	1281490000
Stainless steel 1.4404, electro-polished	1314240000
Label holder	
70 x 70 angled stainless steel 1.4301	1279320000
130x50 stainless steel 1.4301	1283450000
100x25 stainless steel 1.4301	1257640000
Document holder	
For DIN A6 size documents	1252780000
For DIN A5 size documents	1252750000
For DIN A4 size documents	1252730000
Set of fixings*	
For label holders, rain hoods and document holders (rivet)	1252190000
For plastic (Trafolyte), identification plate (screw)	1285200000
Earthing stud	
Stainless steel 1.4404, M10	1192690000
Note	* packing unit (PU) = 20 pcs., sufficient for 10 fixtures



Max. number of terminals (industry)

Max. number of terminals (industry)	vertical	horizontal
2.5 mm ²	2x91	4x52
4 mm ²	2x76	4x43
6 mm ²	2x58	4x32
10 mm ²	2x46	3x26
16 mm ²	1x39	3x22
35 mm ²	1x29	2x16



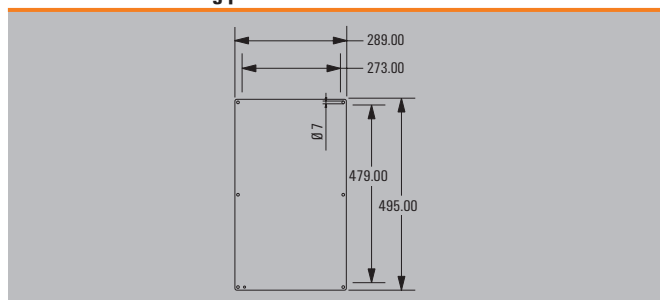
Note *For enclosure versions with zero, one or two gland plates, the horizontal gap between the mounting feet is reduced by 30 mm. Assembly with terminal blocks provides for 10 mm clearance to the ends of the mounting rail. Recommended order: TS 35 mounting rail (screw terminal) WDU 2.5 1020000000 / (tension clamp terminal) ZDU 2.5 1608510000 / (tension clamp terminal) PDU 2.5 1896110000 TS 32 mounting rail (screw terminal) SAK 2.5 0279660000 TS 15 mounting rail (screw terminal) AKZ 2.5 0697160000

Number of cable entries

Number of cable entries	A / B	C / D
M12	27	42
M16	15	24
M20	13	20
M25	6	9
M32	5	7
M40	4	6
M50	3	5
M63	0	0
M75	0	0

Note Our IP 68 brass cable glands are used as the reference for these guideline values.

Dimensions of mounting plate





Height / Width / Depth 550 / 350 / 200 mm

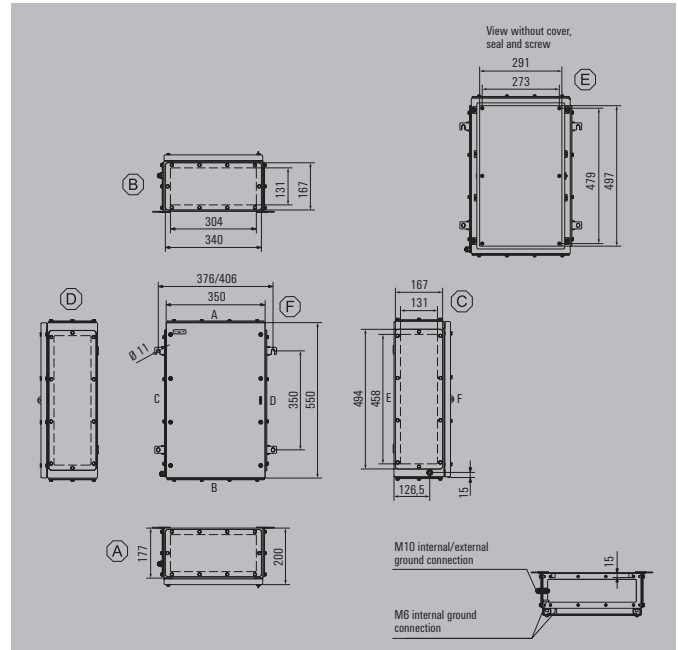
Ordering data

Stainless steel 1.4404 316L, electropolished	Order No.
1 gland plate - positioned down (B)	1195260000
2 gland plates - positioned at top and bottom (A & B)	1195270000
3 gland plates - positioned at bottom, left and right (B, C & D)	1195280000
4 gland plates - positioned at top, bottom, left and right (A, B, C & D)	1195290000

Note

Accessories

Mounting plates and fastening screws	Order No.
Steel sheet, zinc plated	1194010000
With hole pattern, sheet steel, galvanised	2022650000
Stainless steel 1.4301	1193880000
With hole pattern, natural stainless steel 1.4301	1257720000
Fastening screws for mounting plates	0642600000
Fastening screws for terminal rails	1274150000
Stainless steel spacer M6 x 8, Set of 4	
10 mm length	0935110000
15 mm length	0935120000
20 mm length	0935130000
30 mm length	0935140000
Gland plates - 3 mm with M6 earth studs	
Top and bottom sides (A & B), electropolished stainless steel 1.4404	2023740000
Left and right sides (C & D), electropolished stainless steel 1.4404	2023790000
Gland plates and screws - 6 mm	
Top and bottom sides (A & B), electropolished stainless steel 1.4404	1256590000
Left and right sides (C & D), electropolished stainless steel 1.4404	1256610000
Mounting screw, stainless steel 1.4404	1253230000
Rain hoods	
Stainless steel 1.4301, mirror-polished	1281500000
Stainless steel 1.4404, electro-polished	1314250000
Label holder	
70 x 70 angled stainless steel 1.4301	1279320000
130x50 stainless steel 1.4301	1283450000
100x25 stainless steel 1.4301	1257640000
Document holder	
For DIN A6 size documents	1252780000
For DIN A5 size documents	1252750000
For DIN A4 size documents	1252730000
Set of fixings*	
For label holders, rain hoods and document holders (rivet)	1252190000
For plastic (Trafolyte), identification plate (screw)	1285200000
Earthing stud	
Stainless steel 1.4404, M10	1192690000
Note	* packing unit (PU) = 20 pcs., sufficient for 10 fixtures



Max. number of terminals (industry)

Max. number of terminals (industry)	vertical	horizontal
2.5 mm ²	2x91	4x52
4 mm ²	2x76	4x43
6 mm ²	2x58	4x32
10 mm ²	2x46	3x26
16 mm ²	1x39	3x22
35 mm ²	1x29	2x16

Note

*For enclosure versions with zero, one or two gland plates, the horizontal gap between the mounting feet is reduced by 30 mm. Assembly with terminal blocks provides for 10 mm clearance to the ends of the mounting rail. Recommended order: TS 35 mounting rail (screw terminal) WDU 2.5 1020000000 / (tension clamp terminal) ZDU 2.5 1608510000 / (tension clamp terminal) PDU 2.5 1896110000 TS 32 mounting rail (screw terminal) SAK 2.5 0279660000 TS 15 mounting rail (screw terminal) AKZ 2.5 0697160000

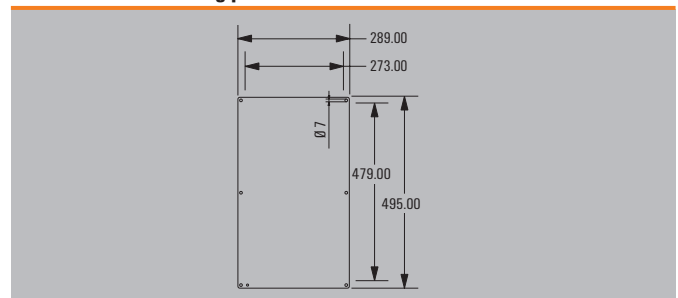
Number of cable entries

Number of cable entries	A / B	C / D
M12	45	70
M16	30	48
M20	20	30
M25	17	26
M32	9	14
M40	7	12
M50	3	5
M63	3	4
M75	2	3

Note

Our IP 68 brass cable glands serve as a reference for these recommended values.

Dimensions of mounting plate





Height / Width / Depth 620 / 450 / 150 mm

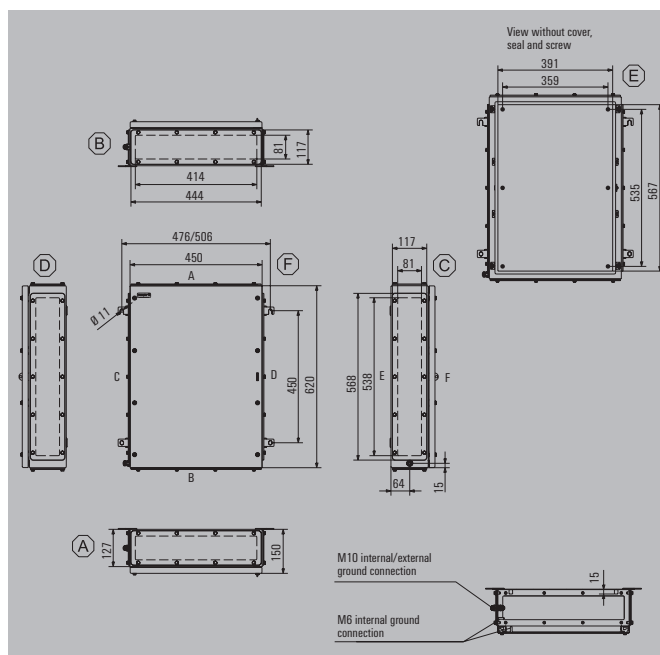
Ordering data

Stainless steel 1.4404 316L, electropolished	Order No.
1 gland plate - positioned down (B)	1195310000
2 gland plates - positioned at top and bottom (A & B)	1195320000
3 gland plates - positioned at bottom, left and right (B, C & D)	1195330000
4 gland plates - positioned at top, bottom, left and right (A, B, C & D)	1195340000

Note

Accessories

Mounting plates and fastening screws	Order No.
Steel sheet, zinc plated	1194020000
With hole pattern, sheet steel, galvanised	2022670000
Stainless steel 1.4301	1193890000
With hole pattern, natural stainless steel 1.4301	1257740000
Fastening screws for mounting plates	0642600000
Fastening screws for terminal rails	1274150000
Stainless steel spacer M6 x 8, Set of 4	
10 mm length	0935110000
15 mm length	0935120000
20 mm length	0935130000
30 mm length	0935140000
Gland plates - 3 mm with M6 earth studs	
Top and bottom sides (A & B), electropolished stainless steel 1.4404	2023820000
Left and right sides (C & D), electropolished stainless steel 1.4404	2023870000
Gland plates and screws - 6 mm	
Top and bottom sides (A & B), electropolished stainless steel 1.4404	1256620000
Left and right sides (C & D), electropolished stainless steel 1.4404	1256630000
Mounting screw, stainless steel 1.4404	1253230000
Rain hoods	
Stainless steel 1.4301, mirror-polished	1281510000
Stainless steel 1.4404, electro-polished	1314270000
Label holder	
70 x 70 angled stainless steel 1.4301	1279320000
130x50 stainless steel 1.4301	1283450000
100x25 stainless steel 1.4301	1257640000
Document holder	
For DIN A6 size documents	1252780000
For DIN A5 size documents	1252750000
For DIN A4 size documents	1252730000
Set of fixings*	
For label holders, rain hoods and document holders (rivet)	1252190000
For plastic (Trafolyte), identification plate (screw)	1285200000
Earthing stud	
Stainless steel 1.4404, M10	1192690000
Note	* packing unit (PU) = 20 pcs., sufficient for 10 fixtures



Max. number of terminals (industry)

Max. number of terminals (industry)	vertical	horizontal
2.5 mm ²	3x105	5x71
4 mm ²	3x88	5x59
6 mm ²	3x66	4x45
10 mm ²	2x53	4x36
16 mm ²	2x44	3x30
35 mm ²	1x33	2x22

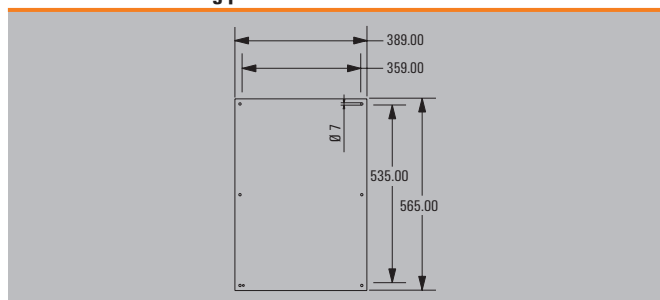
Note *For enclosure versions with zero, one or two gland plates, the horizontal gap between the mounting feet is reduced by 30 mm. Assembly with terminal blocks provides for 10 mm clearance to the ends of the mounting rail. Recommended order: TS 35 mounting rail (screw terminal) WDU 2.5 1020000000 / (tension clamp terminal) ZDU 2.5 1608510000 / (tension clamp terminal) PDU 2.5 1896110000 TS 32 mounting rail (screw terminal) SAK 2.5 0279660000 TS 15 mounting rail (screw terminal) AKZ 2.5 0697160000

Number of cable entries

Number of cable entries	A / B	C / D
M12	38	48
M16	21	27
M20	18	24
M25	8	10
M32	6	9
M40	5	7
M50	4	6
M63	0	0
M75	0	0

Note Our IP 68 brass cable glands serve as a reference for these recommended values.

Dimensions of mounting plate





Height / Width / Depth 620 / 450 / 200 mm

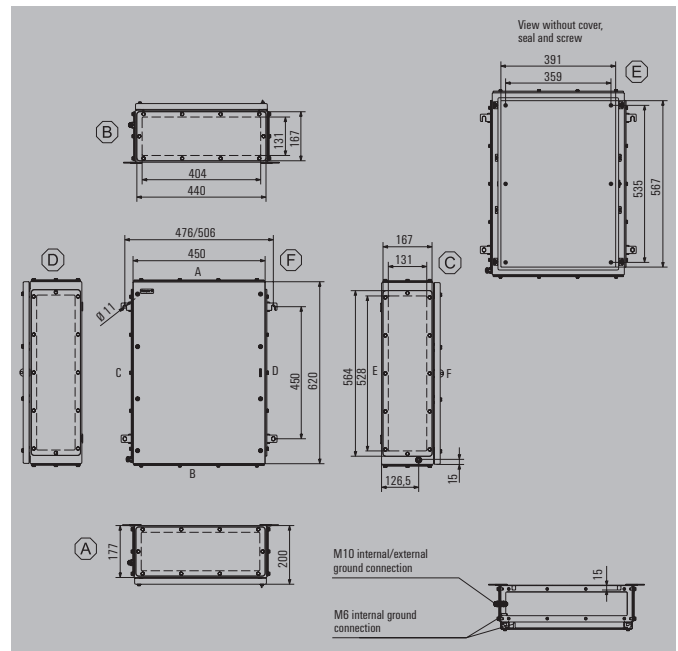
Ordering data

Stainless steel 1.4404 316L, electropolished	Order No.
1 gland plate - positioned down (B)	1195360000
2 gland plates - positioned at top and bottom (A & B)	1195370000
3 gland plates - positioned at bottom, left and right (B, C & D)	1195380000
4 gland plates - positioned at top, bottom, left and right (A, B, C & D)	1195390000

Note

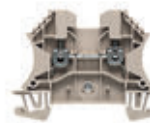
Accessories

Mounting plates and fastening screws	Order No.
Steel sheet, zinc plated	1194020000
With hole pattern, sheet steel, galvanised	2022670000
Stainless steel 1.4301	1193890000
With hole pattern, natural stainless steel 1.4301	1257740000
Fastening screws for mounting plates	0642600000
Fastening screws for terminal rails	1274150000
Stainless steel spacer M6 x 8, Set of 4	
10 mm length	0935110000
15 mm length	0935120000
20 mm length	0935130000
30 mm length	0935140000
Gland plates - 3 mm with M6 earth studs	
Top and bottom sides (A & B), electropolished stainless steel 1.4404	2023880000
Left and right sides (C & D), electropolished stainless steel 1.4404	2023930000
Gland plates and screws - 6 mm	
Top and bottom sides (A & B), electropolished stainless steel 1.4404	1256640000
Left and right sides (C & D), electropolished stainless steel 1.4404	1256650000
Mounting screw, stainless steel 1.4404	1253230000
Rain hoods	
Stainless steel 1.4301, mirror-polished	1281520000
Stainless steel 1.4404, electro-polished	1314280000
Label holder	
70 x 70 angled stainless steel 1.4301	1279320000
130x50 stainless steel 1.4301	1283450000
100x25 stainless steel 1.4301	1257640000
Document holder	
For DIN A6 size documents	1252780000
For DIN A5 size documents	1252750000
For DIN A4 size documents	1252730000
Set of fixings*	
For label holders, rain hoods and document holders (rivet)	1252190000
For plastic (Trafolyte), identification plate (screw)	1285200000
Earthing stud	
Stainless steel 1.4404, M10	1192690000
Note	* packing unit (PU) = 20 pcs., sufficient for 10 fixtures



Max. number of terminals (industry)

Max. number of terminals (industry)	vertical	horizontal
2.5 mm ²	3x105	5x71
4 mm ²	3x88	5x59
6 mm ²	3x66	4x45
10 mm ²	2x53	4x36
16 mm ²	2x44	3x30
35 mm ²	1x33	2x22



Note

*For enclosure versions with zero, one or two gland plates, the horizontal gap between the mounting feet is reduced by 30 mm. Assembly with terminal blocks provides for 10 mm clearance to the ends of the mounting rail. Recommended order: TS 35 mounting rail (screw terminal) WDU 2.5 1020000000 / (tension clamp terminal) ZDU 2.5 1608510000 / (tension clamp terminal) PDU 2.5 1896110000 TS 32 mounting rail (screw terminal) SAK 2.5 0279660000 TS 15 mounting rail (screw terminal) AKZ 2.5 0697160000

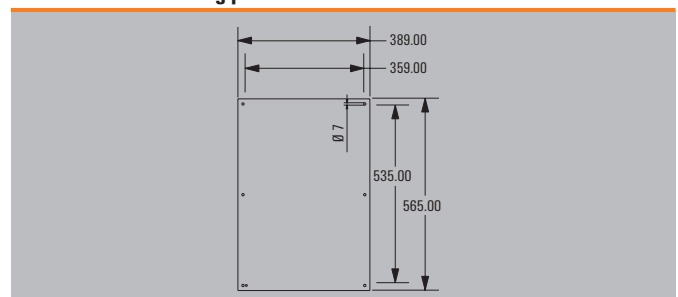
Number of cable entries

Number of cable entries	A / B	C / D
M12	63	80
M16	42	54
M20	27	36
M25	23	30
M32	12	17
M40	10	14
M50	4	6
M63	4	5
M75	3	4

Note

Our IP 68 brass cable glands are used as the reference for these guideline values.

Dimensions of mounting plate





Height / Width / Depth 762 / 508 / 150 mm

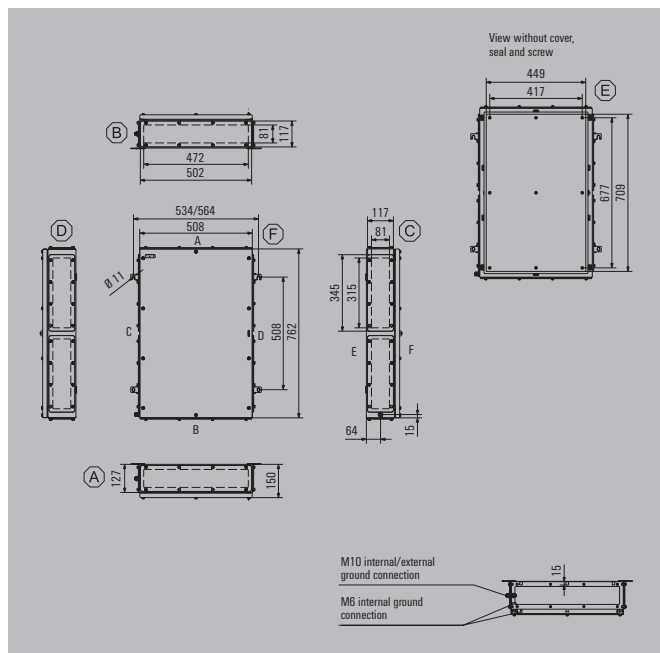
Ordering data

Stainless steel 1.4404 316L, electropolished	Order No.
1 gland plate - positioned down (B)	1195410000
2 gland plates - positioned at top and bottom (A & B)	1195420000
3 gland plates - positioned at bottom, left and right (B, C & D)	1195430000
4 gland plates - positioned at top, bottom, left and right (A, B, C & D)	1195440000

Note

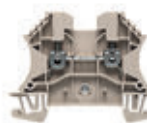
Accessories

Mounting plates and fastening screws	Order No.
Steel sheet, zinc plated	1194030000
With hole pattern, sheet steel, galvanised	2022680000
Stainless steel 1.4301	1193900000
With hole pattern, natural stainless steel 1.4301	1257750000
Fastening screws for mounting plates	0642600000
Fastening screws for terminal rails	1274150000
Stainless steel spacer M6 x 8, Set of 4	
10 mm length	0935110000
15 mm length	0935120000
20 mm length	0935130000
30 mm length	0935140000
Gland plates - 3 mm with M6 earth studs	
Top and bottom sides (A & B), electropolished stainless steel 1.4404	2024040000
Left and right sides (C & D), electropolished stainless steel 1.4404	2024090000
Gland plates and screws - 6 mm	
Top and bottom sides (A & B), electropolished stainless steel 1.4404	1256660000
Left and right sides (C & D), electropolished stainless steel 1.4404	1256670000
Mounting screw, stainless steel 1.4404	1253230000
Rain hoods	
Stainless steel 1.4301, mirror-polished	1281530000
Stainless steel 1.4404, electro-polished	1314290000
Label holder	
70 x 70 angled stainless steel 1.4301	1279320000
130x50 stainless steel 1.4301	1283450000
100x25 stainless steel 1.4301	1257640000
Document holder	
For DIN A6 size documents	1252780000
For DIN A5 size documents	1252750000
For DIN A4 size documents	1252730000
Set of fixings*	
For label holders, rain hoods and document holders (rivet)	1252190000
For plastic (Trafolyte), identification plate (screw)	1285200000
Earthing stud	
Stainless steel 1.4404, M10	1192690000
Note	* packing unit (PU) = 20 pcs., sufficient for 10 fixtures



Max. number of terminals (industry)

Max. number of terminals (industry)	vertical	horizontal
2.5 mm ²	4x132	7x82
4 mm ²	4x111	6x69
6 mm ²	3x83	5x52
10 mm ²	3x67	5x42
16 mm ²	2x56	4x35
35 mm ²	2x42	3x26



Note

*For enclosure versions with zero, one or two gland plates, the horizontal gap between the mounting feet is reduced by 30 mm. Assembly with terminal blocks provides for 10 mm clearance to the ends of the mounting rail. Recommended order: TS 35 mounting rail (screw terminal) WDU 2.5 1020000000 / (tension clamp terminal) ZDU 2.5 1608510000 / (tension clamp terminal) PDU 2.5 1896110000 TS 32 mounting rail (screw terminal) SAK 2.5 0279660000 TS 15 mounting rail (screw terminal) AKZ 2.5 0697160000

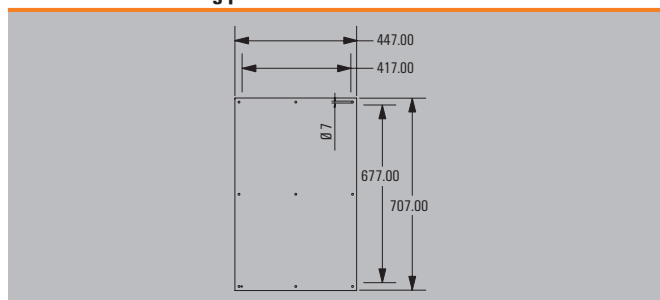
Number of cable entries

Number of cable entries	A / B	C / D
M12	42	58
M16	24	32
M20	21	26
M25	9	12
M32	7	10
M40	6	8
M50	5	6
M63	0	0
M75	0	0

Note

Our IP 68 brass cable glands serve as a reference for these recommended values.

Dimensions of mounting plate





Height / Width / Depth 762 / 508 / 200 mm

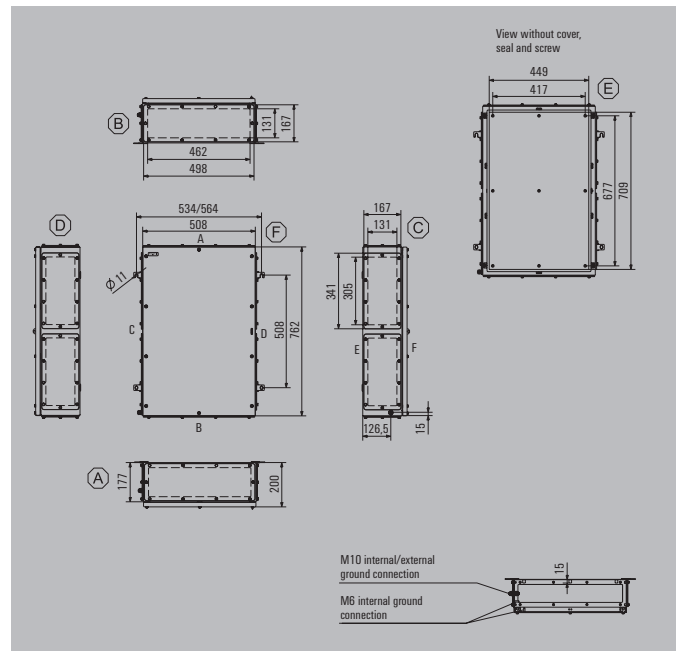
Ordering data

Stainless steel 1.4404 316L, electropolished	Order No.
1 gland plate - positioned down (B)	1195460000
2 gland plates - positioned at top and bottom (A & B)	1195470000
3 gland plates - positioned at bottom, left and right (B, C & D)	1195480000
4 gland plates - positioned at top, bottom, left and right (A, B, C & D)	1195490000

Note

Accessories

Mounting plates and fastening screws	Order No.
Steel sheet, zinc plated	1194030000
With hole pattern, sheet steel, galvanised	2022680000
Stainless steel 1.4301	1193900000
With hole pattern, natural stainless steel 1.4301	1257750000
Fastening screws for mounting plates	0642600000
Fastening screws for terminal rails	1274150000
Stainless steel spacer M6 x 8, Set of 4	
10 mm length	0935110000
15 mm length	0935120000
20 mm length	0935130000
30 mm length	0935140000
Gland plates - 3 mm with M6 earth studs	
Top and bottom sides (A & B), electropolished stainless steel 1.4404	2024100000
Left and right sides (C & D), electropolished stainless steel 1.4404	2024140000
Gland plates and screws - 6 mm	
Top and bottom sides (A & B), electropolished stainless steel 1.4404	1256680000
Left and right sides (C & D), electropolished stainless steel 1.4404	1256690000
Mounting screw, stainless steel 1.4404	1253230000
Rain hoods	
Stainless steel 1.4301, mirror-polished	1281540000
Stainless steel 1.4404, electro-polished	1314300000
Label holder	
70 x 70 angled stainless steel 1.4301	1279320000
130x50 stainless steel 1.4301	1283450000
100x25 stainless steel 1.4301	1257640000
Document holder	
For DIN A6 size documents	1252780000
For DIN A5 size documents	1252750000
For DIN A4 size documents	1252730000
Set of fixings*	
For label holders, rain hoods and document holders (rivet)	1252190000
For plastic (Trafolyte), identification plate (screw)	1285200000
Earthing stud	
Stainless steel 1.4404, M10	1192690000
Note	* packing unit (PU) = 20 pcs., sufficient for 10 fixtures



Max. number of terminals (industry)

Max. number of terminals (industry)	vertical	horizontal
2.5 mm ²	4x132	7x82
4 mm ²	4x111	6x69
6 mm ²	3x83	5x52
10 mm ²	3x67	5x42
16 mm ²	2x56	4x35
35 mm ²	2x42	3x26

Note

*For enclosure versions with zero, one or two gland plates, the horizontal gap between the mounting feet is reduced by 30 mm. Assembly with terminal blocks provides for 10 mm clearance to the ends of the mounting rail. Recommended order: TS 35 mounting rail (screw terminal) WDU 2.5 1020000000 / (tension clamp terminal) ZDU 2.5 1608510000 / (tension clamp terminal) PDU 2.5 1896110000 TS 32 mounting rail (screw terminal) SAK 2.5 0279660000 TS 15 mounting rail (screw terminal) AKZ 2.5 0697160000

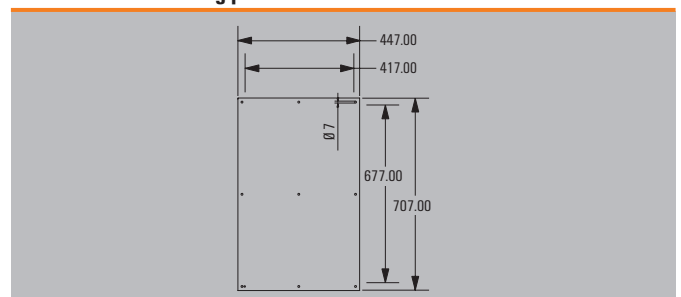
Number of cable entries

Number of cable entries	A / B	C / D
M12	70	96
M16	48	64
M20	32	40
M25	26	34
M32	14	18
M40	12	14
M50	5	6
M63	4	6
M75	3	4

Note

Our IP 68 brass cable glands are used as the reference for these guideline values.

Dimensions of mounting plate





Height / Width / Depth 914 / 610 / 150 mm

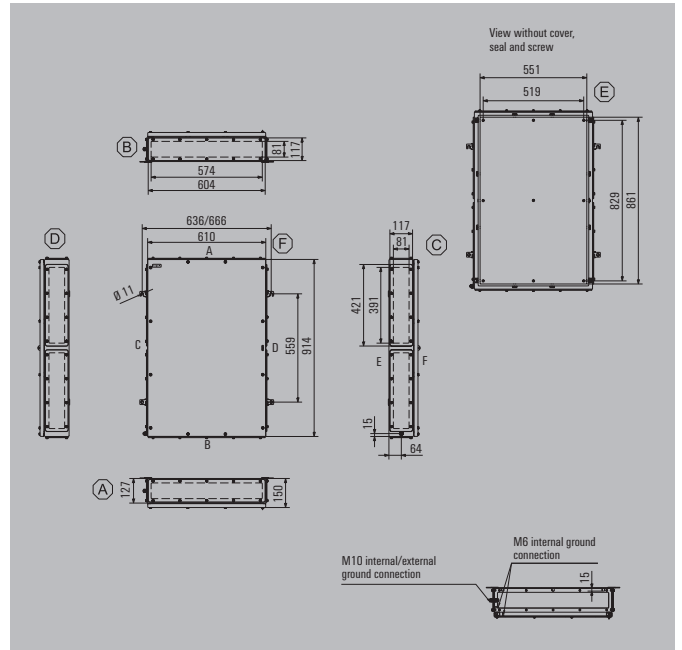
Ordering data

Stainless steel 1.4404 316L, electropolished	Order No.
1 gland plate - positioned down (B)	1195510000
2 gland plates - positioned at top and bottom (A & B)	1195520000
3 gland plates - positioned at bottom, left and right (B, C & D)	1195530000
4 gland plates - positioned at top, bottom, left and right (A, B, C & D)	1195540000

Note

Accessories

Mounting plates and fastening screws	Order No.
Steel sheet, zinc plated	1194040000
With hole pattern, sheet steel, galvanised	2022740000
Stainless steel 1.4301	1193910000
With hole pattern, natural stainless steel 1.4301	1257760000
Fastening screws for mounting plates	0642600000
Fastening screws for terminal rails	1274150000
Stainless steel spacer M6 x 8, Set of 4	
10 mm length	0935110000
15 mm length	0935120000
20 mm length	0935130000
30 mm length	0935140000
Gland plates - 3 mm with M6 earth studs	
Top and bottom sides (A & B), electropolished stainless steel 1.4404	2024150000
Left and right sides (C & D), electropolished stainless steel 1.4404	2024300000
Gland plates and screws - 6 mm	
Top and bottom sides (A & B), electropolished stainless steel 1.4404	1256710000
Left and right sides (C & D), electropolished stainless steel 1.4404	1256720000
Mounting screw, stainless steel 1.4404	1253230000
Rain hoods	
Stainless steel 1.4301, mirror-polished	1281550000
Stainless steel 1.4404, electro-polished	1314320000
Label holder	
70 x 70 angled stainless steel 1.4301	1279320000
130x50 stainless steel 1.4301	1283450000
100x25 stainless steel 1.4301	1257640000
Document holder	
For DIN A6 size documents	1252780000
For DIN A5 size documents	1252750000
For DIN A4 size documents	1252730000
Set of fixings*	
For label holders, rain hoods and document holders (rivet)	1252190000
For plastic (Trafolyte), identification plate (screw)	1285200000
Earthing stud	
Stainless steel 1.4404, M10	1192690000
Note	* packing unit (PU) = 20 pcs., sufficient for 10 fixtures



Max. number of terminals (industry)

Max. number of terminals (industry)	vertical	horizontal
2.5 mm ²	5x161	8x102
4 mm ²	4x135	7x85
6 mm ²	4x102	7x64
10 mm ²	3x82	6x52
16 mm ²	3x68	5x43
35 mm ²	2x51	4x32

Note

*For enclosure versions with zero, one or two gland plates, the horizontal gap between the mounting feet is reduced by 30 mm. Assembly with terminal blocks provides for 10 mm clearance to the ends of the mounting rail. Recommended order: TS 35 mounting rail (screw terminal) WDU 2.5 1020000000 / (tension clamp terminal) ZDU 2.5 1608510000 / (tension clamp terminal) PDU 2.5 1896110000 TS 32 mounting rail (screw terminal) SAK 2.5 0279660000 TS 15 mounting rail (screw terminal) AKZ 2.5 0697160000

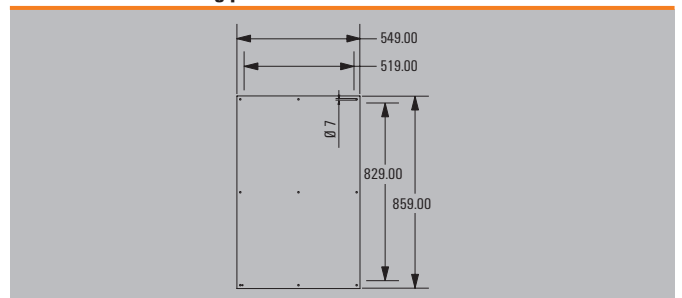
Number of cable entries

Number of cable entries	A / B	C / D
M12	53	70
M16	29	40
M20	25	34
M25	11	14
M32	9	12
M40	8	10
M50	6	8
M63	0	0
M75	0	0

Note

Our IP 68 brass cable glands serve as a reference for these recommended values.

Dimensions of mounting plate





Height / Width / Depth 914 / 610 / 200 mm

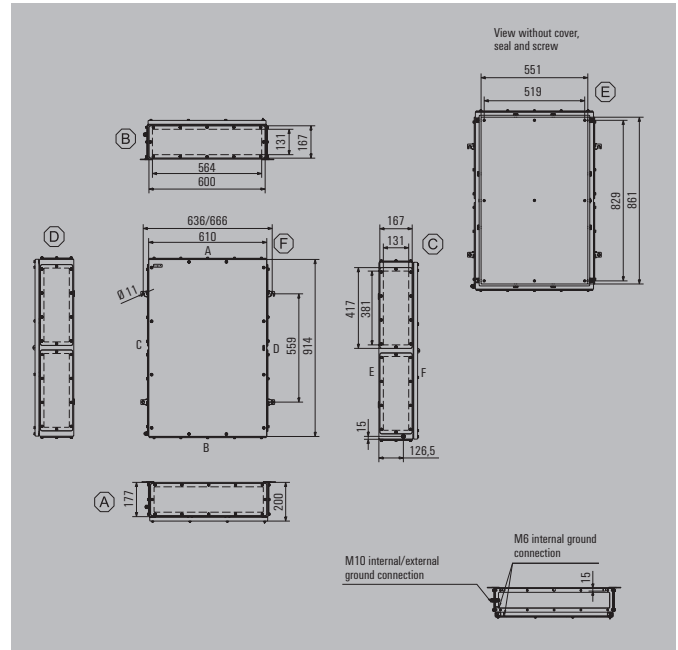
Ordering data

Stainless steel 1.4404 316L, electropolished	Order No.
1 gland plate - positioned down (B)	1195560000
2 gland plates - positioned at top and bottom (A & B)	1195570000
3 gland plates - positioned at bottom, left and right (B, C & D)	1195580000
4 gland plates - positioned at top, bottom, left and right (A, B, C & D)	1195590000

Note

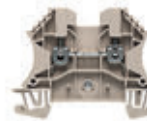
Accessories

Mounting plates and fastening screws	Order No.
Steel sheet, zinc plated	1194040000
With hole pattern, sheet steel, galvanised	2022740000
Stainless steel 1.4301	1193910000
With hole pattern, natural stainless steel 1.4301	1257760000
Fastening screws for mounting plates	0642600000
Fastening screws for terminal rails	1274150000
Stainless steel spacer M6 x 8, Set of 4	
10 mm length	0935110000
15 mm length	0935120000
20 mm length	0935130000
30 mm length	0935140000
Gland plates - 3 mm with M6 earth studs	
Top and bottom sides (A & B), electropolished stainless steel 1.4404	2024470000
Left and right sides (C & D), electropolished stainless steel 1.4404	2024490000
Gland plates and screws - 6 mm	
Top and bottom sides (A & B), electropolished stainless steel 1.4404	1256730000
Left and right sides (C & D), electropolished stainless steel 1.4404	1256740000
Mounting screw, stainless steel 1.4404	1253230000
Rain hoods	
Stainless steel 1.4301, mirror-polished	1281570000
Stainless steel 1.4404, electro-polished	1314330000
Label holder	
70 x 70 angled stainless steel 1.4301	1279320000
130x50 stainless steel 1.4301	1283450000
100x25 stainless steel 1.4301	1257640000
Document holder	
For DIN A6 size documents	1252780000
For DIN A5 size documents	1252750000
For DIN A4 size documents	1252730000
Set of fixings*	
For label holders, rain hoods and document holders (rivet)	1252190000
For plastic (Trafolyte), identification plate (screw)	1285200000
Earthing stud	
Stainless steel 1.4404, M10	1192690000
Note	* packing unit (PU) = 20 pcs., sufficient for 10 fixtures



Max. number of terminals (industry)

Max. number of terminals (industry)	vertical	horizontal
2.5 mm ²	5x161	8x102
4 mm ²	4x135	7x85
6 mm ²	4x102	7x64
10 mm ²	3x82	6x52
16 mm ²	3x68	5x43
35 mm ²	2x51	4x32



Note

*For enclosure versions with zero, one or two gland plates, the horizontal gap between the mounting feet is reduced by 30 mm. Assembly with terminal blocks provides for 10 mm clearance to the ends of the mounting rail. Recommended order: TS 35 mounting rail (screw terminal) WDU 2.5 1020000000 / (tension clamp terminal) ZDU 2.5 1608510000 / (tension clamp terminal) PDU 2.5 1896110000 TS 32 mounting rail (screw terminal) SAK 2.5 0279660000 TS 15 mounting rail (screw terminal) AKZ 2.5 0697160000

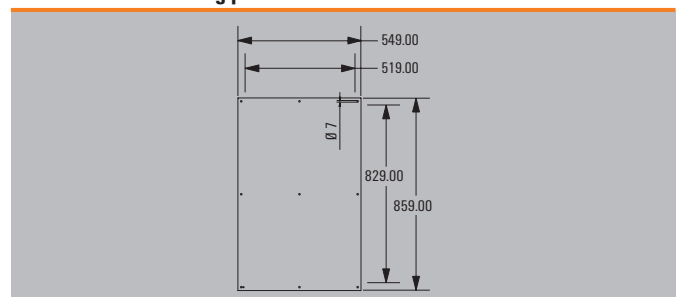
Number of cable entries

Number of cable entries	A / B	C / D
M12	88	116
M16	58	80
M20	38	52
M25	33	42
M32	18	24
M40	15	20
M50	6	8
M63	5	6
M75	4	6

Note

Our IP 68 brass cable glands are used as the reference for these guideline values.

Dimensions of mounting plate





Height / Width / Depth 980 / 740 / 200 mm

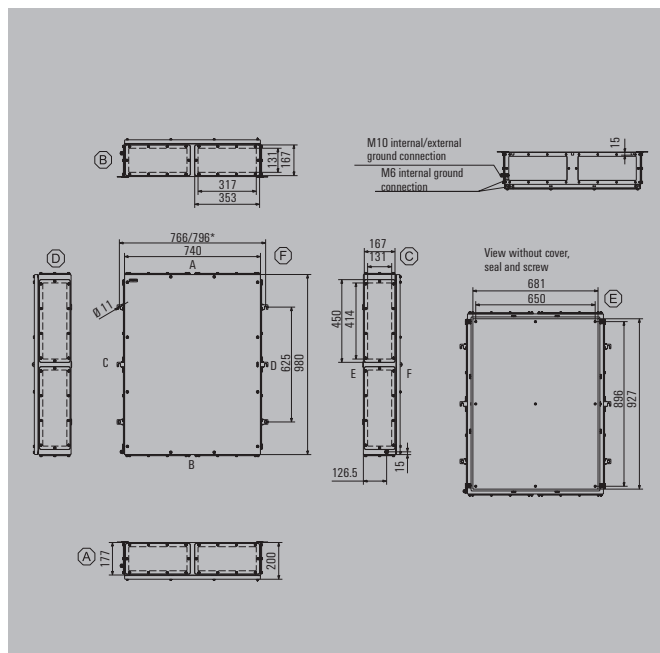
Ordering data

Stainless steel 1.4404 316L, electropolished	Order No.
1 gland plate - positioned down (B)	1195610000
2 gland plates - positioned at top and bottom (A & B)	1195620000
3 gland plates - positioned at bottom, left and right (B, C & D)	1195630000
4 gland plates - positioned at top, bottom, left and right (A, B, C & D)	1195640000

Note

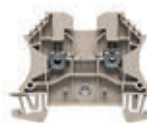
Accessories

Mounting plates and fastening screws	Order No.
Steel sheet, zinc plated	1194050000
With hole pattern, sheet steel, galvanised	2022760000
Stainless steel 1.4301	1193920000
With hole pattern, natural stainless steel 1.4301	1257770000
Fastening screws for mounting plates	0642600000
Fastening screws for terminal rails	1274150000
Stainless steel spacer M6 x 8, Set of 4	
10 mm length	0935110000
15 mm length	0935120000
20 mm length	0935130000
30 mm length	0935140000
Gland plates - 3 mm with M6 earth studs	
Top and bottom sides (A & B), electropolished stainless steel 1.4404	2024560000
Left and right sides (C & D), electropolished stainless steel 1.4404	2024590000
Gland plates and screws - 6 mm	
Top and bottom sides (A & B), electropolished stainless steel 1.4404	1256750000
Left and right sides (C & D), electropolished stainless steel 1.4404	1256760000
Mounting screw, stainless steel 1.4404	1253230000
Rain hoods	
Stainless steel 1.4301, mirror-polished	1281580000
Stainless steel 1.4404, electro-polished	1314340000
Label holder	
70 x 70 angled stainless steel 1.4301	1279320000
130x50 stainless steel 1.4301	1283450000
100x25 stainless steel 1.4301	1257640000
Document holder	
For DIN A6 size documents	1252780000
For DIN A5 size documents	1252750000
For DIN A4 size documents	1252730000
Set of fixings*	
For label holders, rain hoods and document holders (rivet)	1252190000
For plastic (Trafolyte), identification plate (screw)	1285200000
Earthing stud	
Stainless steel 1.4404, M10	1192690000
Note	* packing unit (PU) = 20 pcs., sufficient for 10 fixtures



Max. number of terminals (industry)

Max. number of terminals (industry)	vertical	horizontal
2.5 mm ²	6x174	9x127
4 mm ²	6x146	8x106
6 mm ²	5x110	7x80
10 mm ²	4x88	6x64
16 mm ²	4x74	5x54
35 mm ²	3x55	4x40



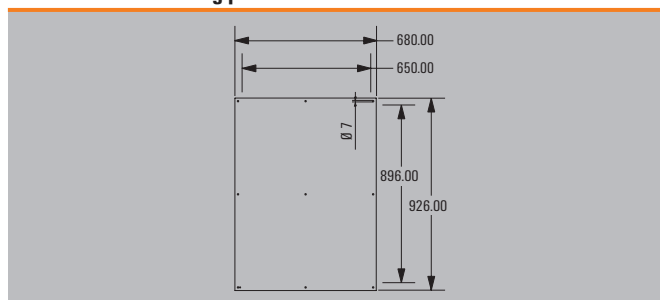
Note *For enclosure versions with zero, one or two gland plates, the horizontal gap between the mounting feet is reduced by 30 mm. Assembly with terminal blocks provides for 10 mm clearance to the ends of the mounting rail. Recommended order: TS 35 mounting rail (screw terminal) WDU 2.5 1020000000 / (tension clamp terminal) ZDU 2.5 1608510000 / (tension clamp terminal) PDU 2.5 1896110000 TS 32 mounting rail (screw terminal) SAK 2.5 0279660000 TS 15 mounting rail (screw terminal) AKZ 2.5 0697160000

Number of cable entries

Number of cable entries	A / B	C / D
M12	96	126
M16	64	84
M20	42	54
M25	36	48
M32	20	26
M40	16	22
M50	6	10
M63	6	8
M75	4	6

Note Our IP 68 brass cable glands serve as a reference for these recommended values.

Dimensions of mounting plate



Klippon® TB QL - Quarter Lock

Steel enclosures

for use in industrial and in explosive hazard areas

The Klippon® TB enclosure range features excellent performance characteristics, even under the most difficult environmental conditions, and comply with the stricter requirements of explosive hazard areas found in the process or power generation industries. The Klippon® TB QL enclosure range offers further improvements to a product line that is already successfully leading the market.

Weidmüller manufactures and supplies the enclosures to match customer specifications - fully fitted with terminal boxes, electronics and cable glands.

Features:

- Available in 12 sizes and 3 standard depths, with customer-specific sizes on request
- Equipped with up to 4 gland plates
- The gasket is protected against compression
- Quick-locking lid, comes with a slot as standard
- Improved temperature performance
- IP66 protection class
- Earth studs in enclosure cover and bottom section
- Welded mounting feet



Overview of enclosures

Ordering data

Description	Height x width x depth in mm	1 Gland Plate (below)	2 Gland Plates (above + below)	3 Gland Plates (below + sides)	4 Gland Plates (all sides)
KTB QL 221513 S4E_*	229 x 152 x 133	1199860000	1199870000	1199880000	1199890000
KTB QL 262615 S4E_*	260 x 260 x 150	1199910000	1199920000	1199930000	1199940000
KTB QL 262620 S4E_*	260 x 260 x 200	1199960000	1199970000	1199980000	1199990000
KTB QL 303015 S4E_*	306 x 306 x 150	1200020000	1200030000	1200040000	1200050000
KTB QL 303020 S4E_*	306 x 306 x 200	1200070000	1200080000	1200090000	1200100000
KTB QL 352615 S4E_*	350 x 260 x 150	1200120000	1200130000	1200140000	1200150000
KTB QL 352620 S4E_*	350 x 260 x 200	1200170000	1200180000	1200190000	1200210000
KTB QL 403015 S4E_*	400 x 300 x 150	1200230000	1200240000	1200250000	1200260000
KTB QL 403020 S4E_*	400 x 300 x 200	1200280000	1200290000	1200310000	1200320000
KTB QL 453815 S4E_*	458 x 382 x 150	1200340000	1200350000	1200360000	1200370000
KTB QL 453820 S4E_*	458 x 382 x 200	1200390000	1200410000	1200420000	1200430000
KTB QL 484815 S4E_*	480 x 480 x 150	1200450000	1200460000	1200470000	1200480000
KTB QL 484820 S4E_*	480 x 480 x 200	1200510000	1200520000	1200530000	1200540000
KTB QL 553515 S4E_*	550 x 350 x 150	1200560000	1200570000	1200580000	1200590000
KTB QL 553520 S4E_*	550 x 350 x 200	1200620000	1200630000	1200640000	1200650000
KTB QL 624515 S4E_*	620 x 450 x 150	1200670000	1200680000	1200690000	1200710000
KTB QL 624520 S4E_*	620 x 450 x 200	1200730000	1200740000	1200750000	1200760000
KTB QL 765015 S4E_*	762 x 508 x 150	1200780000	1200790000	1200810000	1200820000
KTB QL 765020 S4E_*	762 x 508 x 200	1200840000	1200850000	1200860000	1200870000
KTB QL 916115 S4E_*	914 x 610 x 150	1200890000	1200910000	1200920000	1200930000
KTB QL 916120 S4E_*	914 x 610 x 200	1200950000	1200960000	1200970000	1200980000
KTB QL 987420 S4E_*	980 x 740 x 200	1201010000	1201020000	1201030000	1201040000

Note

* Placeholder for the number of gland plates (1, 2, 3, 4). Klippon® TB QL enclosures are available without gland plates on request.

Technical Overview

Technical data

Enclosure material**	Stainless steel 1.4404 (316L) 1.5 mm
Surface finish	Electropolished
IP protection class	IP 66 to IEC EN 60079-0
NEMA protection classes	3, 4x, 12
Gland plates	1 - 4 (fixed with M6 hexagon head screws and 10 mm heads), optionally without a gland plate
Gland plate thickness	3 mm (other thickness of up to 20 mm are available on request)
Earthing inside	Enclosure base and lid: welded M6 stainless steel earth studs
Earthing outside	Continuous M10 brass earth stud (optionally with stainless-steel earth stud)
Installation mounting	4 or 9 mounting bolts with M6 threaded holes to attach the mounting plate or mounting rails
Enclosure attachment	4 welded mounting feet with 11-mm holes (2 slotted and 2 cross-shaped openings)
Lid opening	Can be removed completely, lid opening angle 130 °
Cover attachment	Quarter-turn lock with slotted insert (other inserts available on request)
Impact resistance	7 J ATEX applications, 10 J industrial applications
Gasket material	Silicone
Operating temperature range	-60 °C...+135 °C
Lid screws, torque*	2.5 Nm
Note	* For screwing on the cover, we recommend our hexagon 10 mm socket wrench (9009070000) ** Painted steel enclosures are available on request.

Approvals for empty enclosures

ATEX certificate	IBExU14ATEX1028 U	EAC	RU-DE.08.B.00472
ATEX marking	II 2G Ex e IIC Gb II 2D Ex tb IIIC Db	cULus	E243298
IECEX certificate	IECx IBE 14.0004U	DNV GL	TAE000013S
IECEX marking	Ex e IIC Gb Ex tb IIIC Db	Russian Maritime Register	15.40073.250
Nepsi Ex certificate	GYJ14.1308U	INMETRO	IEEx 13.0008U
Nepsi Ex marking	Ex e IIC Gb, DIP A21	AEx	E223792
Note	The Klippon® TB QL enclosure range can be pre-fitted in our customer specific production department according to your wishes.		

Approvals for control and distribution box

ATEX certificate	IBExU14ATEX1050	IECEX certificate	IECEX IBE 14.0013
ATEX marking	II 2G Ex e IIC T6... T4 Gb or II 2G Ex eb IIC T6... T4 II 1G Ex ia IIC T6... T4 Ga or II 1G Ex ia IIC T6... T4 II 2(1)G Ex e [ia Ga] IIC T6... T4 Gb or II 2(1)G Ex eb [ia Ga] IIC T6... T4 II 2D Ex tb IIIC T 85°C... 135°C Db or II 2D Ex tb IIIC T85 °C... T135 °C II 1D Ex ia IIIC T135 °C Da or II 1D Ex ia IIIC T135 °C	IECEX marking	Ex e IIC T6... T4 Gb or Ex eb IIC T6... T4 Ex ia IIC T6... T4 Ga or Ex ia IIC T6... T4 Ex e ia IIC T6... T4 Gb or Ex eb ia IIC T6... T4 Ex tb IIIC T85°C... T135°C Db or Ex tb IIIC T85 °C... T135 °C Ex ia IIIC T135 °C Da or Ex ia IIIC T135 °C
Nepsi Ex certificate	GYJ14.1309	INMETRO certificate	IEEx 13.0009
Nepsi marking	Ex e IIC T4...T6 Gb Ex ia IIC T4...T6 Ga Ex e ia IIC T4...T6 Gb DIP A21 T _A 85°C...T _A 135°C Ex ia D20 T85 °C... T135 °C	INMETRO marking	Ex e IIC T6...T4 Gb Ex ia IIC T6...T4 Ga Ex e ia IIC T6...T4 Gb Ex tb IIIC T85 °C...T1 35 °C Db IP 66
EAC certificate	RUC-DE.08.B.01328	AEx certificate	E223792
EAC marking	II 2 G Ex eb IIC T6...T4 II 2 G Ex e IIC T6...T4 Gb II 1 G Ex ia IIC T6...T4 II 1 G Ex ia IIC T6...T4 Ga II 2(1) G Ex eb ia IIC T6...T4 II 2(1) G Ex e ia IIC T6...T4 Gb II 2 D Ex tb IIIC T85°C...T135°C II 2 D Ex tb IIIC T85°C...T135°C Db	AEx marking	Class I, Zone 1, AEx e IIC Gb T6...T4 Class I, Zone 2, AEx e IIC Gc T6...T4 Class I Div.2 Group A,B,C,D T6...T4 Class II Div.2 Group F,G Zone 21, AEx tb IIIC Db
Note	Labelling depends on the application layout. For details of power dissipation, please contact your Weidmüller representative.		

Integrate, expand and customise: the perfect supplement to every application

The fully structured range of system accessories for the Klippon® TB enclosure range allows you to easily adapt the enclosure to meet the specific requirements of every application.

The following options are available:

1 Document holder

Document holders for storage of important documents in the enclosure.

2 Earthing studs

Earthing studs are replaceable. Available in two versions – brass and stainless steel.

3 Gland plates

Gland plates are available as spares and also in various material thicknesses.

4 Mounting plates

Mounting plates with and without a drilling pattern, for horizontal and vertical mounting of rails, or components fitted directly.

5 Mounting hardware kits

Mounting hardware kits are available for quick and easy installation of label holders, mounting plates, gland plates, document holders and rain hoods.

6 Door stay

A door stay prevent the door from being closed unintentionally, regardless of the mounting position of the enclosure. This item is **only** available Ex-works.

7 Locking systems

Various locking systems are available for the safe securing of the enclosure. There are padlocks for the Klippon® TB MH enclosures and a range of lock inserts for the Klippon® TB QL enclosures.

8 Type label holder

A range of label holders are available for product identification.

9 Rain hoods

The rain hood provides an ideal, additional level of protection for the enclosure. Particularly useful against heavy rainfall or extreme levels of direct sunlight.





Height / Width / Depth 229 / 152 / 133 mm

Ordering data

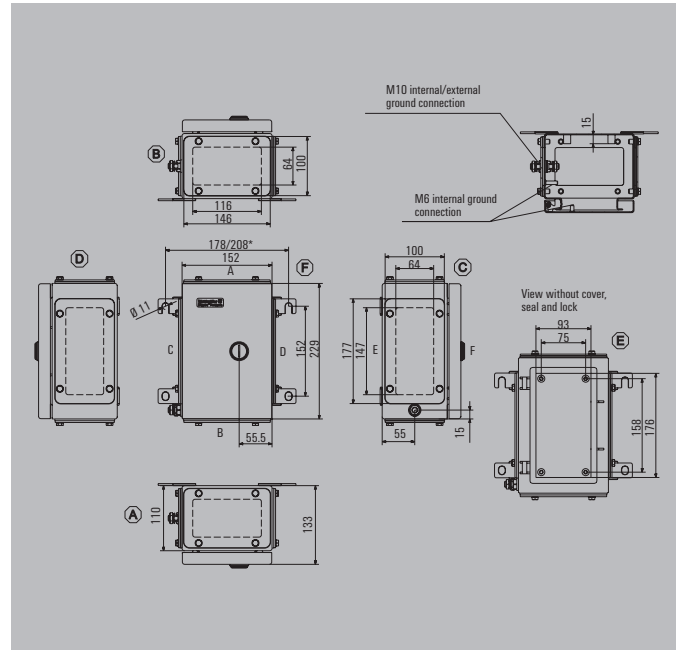
Stainless steel 1.4404 316L, electropolished		Order No.
1 gland plate - down		1199860000
2 gland plates - positioned at top and bottom (A & B)		1199870000
3 gland plates - positioned at bottom, left and right (B, C & D)		1199880000
4 gland plates - positioned at top, bottom, left and right (A, B, C & D)		1199890000

Note

Accessories

Mounting plates and fastening screws	Order No.
Steel sheet, zinc plated	1193930000
With hole pattern, sheet steel, galvanised	2022050000
Stainless steel 1.4301	1193810000
With hole pattern, natural stainless steel 1.4301	1257650000
Fastening screws for mounting plates	0642600000
Fastening screws for terminal rails	1274150000
Stainless steel spacer M6 x 8, Set of 4	
10 mm length	0935110000
15 mm length	0935120000
20 mm length	0935130000
30 mm length	0935140000
Gland plates - 3 mm with M6 earth studs	
Top and bottom sides (A & B), electropolished stainless steel 1.4404	2022770000
Left and right sides (C & D), electropolished stainless steel 1.4404	2022900000
Gland plates and screws - 6 mm	
Top and bottom sides (A & B), electropolished stainless steel 1.4404	1256270000
Left and right sides (C & D), electropolished stainless steel 1.4404	1256280000
Mounting screw, stainless steel 1.4404	1253230000
Rain hoods	
Stainless steel 1.4301, mirror-polished	1281360000
Stainless steel 1.4404, electro-polished	1314090000
Label holder	
70 x 70 angled stainless steel 1.4301	1279320000
130x50 stainless steel 1.4301	1283450000
100x25 stainless steel 1.4301	1257640000
Set of fixings*	
For label holders, rain hoods and document holders (rivet)	1252190000
For plastic (Trafolyte), identification plate (screw)	1285200000
Earthing stud	
Stainless steel 1.4404, M10	1192690000

Note * packing unit (PU) = 20 pcs., sufficient for 10 fixtures



Max. number of terminals (industry)

Max. number of terminals (industry)	vertical	horizontal
2.5 mm ²	1x29	1x15
4 mm ²		1x13
6 mm ²		1x9
10 mm ²		1x7
16 mm ²		1x6
35 mm ²		

Note

*For enclosure versions with zero, one or two gland plates, the horizontal gap between the mounting feet is reduced by 30 mm. Assembly with terminal blocks provides for 10 mm clearance to the ends of the mounting rail. Recommended order: TS 35 mounting rail (screw terminal) WDU 2.5 1020000000 / (tension clamp terminal) ZDU 2.5 1608510000 / (tension clamp terminal) PDU 2.5 1896110000 TS 32 mounting rail (screw terminal) SAK 2.5 0279660000 TS 15 mounting rail (screw terminal) AKZ 2.5 0697160000

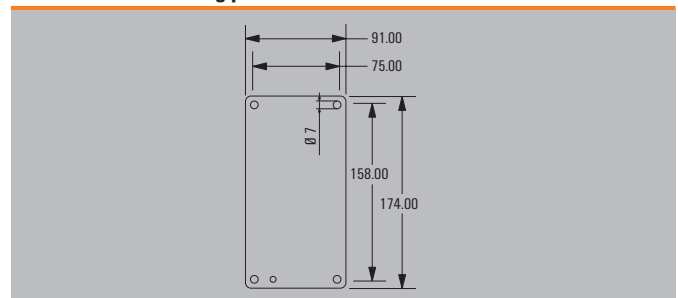
Number of cable entries

Number of cable entries	A / B	C / D
M12	6	8
M16	5	6
M20	2	3
M25	2	2
M32	1	2
M40	1	2
M50	0	0
M63	0	0
M75	0	0

Note

Our IP 68 brass cable glands serve as a reference for these recommended values.

Dimensions of mounting plate





Height / Width / Depth 260 / 260 / 150 mm

Ordering data

Stainless steel 1.4404 316L, electropolished		Order No.
1 gland plate - down		1199910000
2 gland plates - positioned at top and bottom (A & B)		1199920000
3 gland plates - positioned at bottom, left and right (B, C & D)		1199930000
4 gland plates - positioned at top, bottom, left and right (A, B, C & D)		1199940000

Note

Accessories

Mounting plates and fastening screws	Order No.
Steel sheet, zinc plated	1193950000
With hole pattern, sheet steel, galvanised	2022060000
Stainless steel 1.4301	1193820000
With hole pattern, natural stainless steel 1.4301	1257660000
Fastening screws for mounting plates	0642600000
Fastening screws for terminal rails	1274150000

Stainless steel spacer M6 x 8, Set of 4	
10 mm length	0935110000
15 mm length	0935120000
20 mm length	0935130000
30 mm length	0935140000

Gland plates - 3 mm with M6 earth studs	
Top and bottom sides (A & B), electropolished stainless steel 1.4404	2022930000
Left and right sides (C & D), electropolished stainless steel 1.4404	2023090000

Gland plates and screws - 6 mm	
Top and bottom sides (A & B), electropolished stainless steel 1.4404	1256290000
Left and right sides (C & D), electropolished stainless steel 1.4404	1256310000
Mounting screw, stainless steel 1.4404	1253230000

Rain hoods	
Stainless steel 1.4301, mirror-polished	1281370000
Stainless steel 1.4404, electro-polished	1314100000

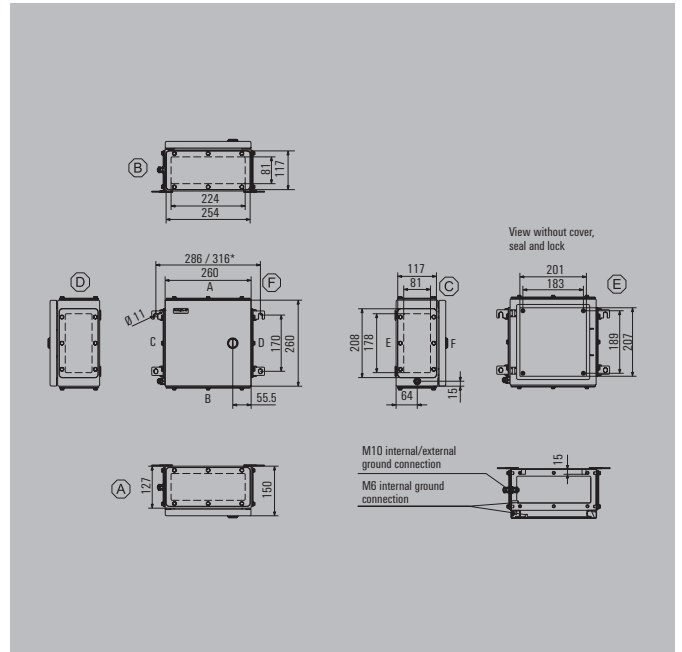
Label holder	
70 x 70 angled stainless steel 1.4301	1279320000
130x50 stainless steel 1.4301	1283450000
100x25 stainless steel 1.4301	1257640000

Document holder	
For DIN A6 size documents	1252780000

Set of fixings*	
For label holders, rain hoods and document holders (rivet)	1252190000
For plastic (Trafolyte), identification plate (screw)	1285200000

Earthing stud	
Stainless steel 1.4404, M10	1192690000

Note * packing unit (PU) = 20 pcs., sufficient for 10 fixtures



Max. number of terminals (industry)

Max. number of terminals (industry)	vertical	horizontal
2.5 mm ²	2x35	2x34
4 mm ²	1x30	1x29
6 mm ²	1x22	1x22
10 mm ²	1x18	1x17
16 mm ²	1x15	1x14
35 mm ²		

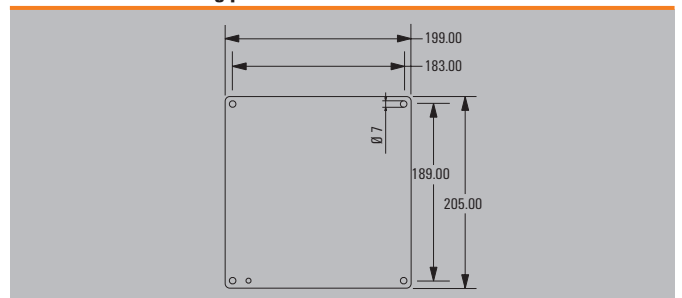
Note *For enclosure versions with zero, one or two gland plates, the horizontal gap between the mounting feet is reduced by 30 mm. Assembly with terminal blocks provides for 10 mm clearance to the ends of the mounting rail. Recommended order: TS 35 mounting rail (screw terminal) WDU 2.5 1020000000 / (tension clamp terminal) ZDU 2.5 1608510000 / (tension clamp terminal) PDU 2.5 1896110000 TS 32 mounting rail (screw terminal) SAK 2.5 0279660000 TS 15 mounting rail (screw terminal) AKZ 2.5 0697160000

Number of cable entries

Number of cable entries	A / B	C / D
M12	20	15
M16	11	8
M20	9	7
M25	4	3
M32	3	2
M40	3	2
M50	2	2
M63	0	0
M75	0	0

Note Our IP 68 brass cable glands are used as the reference for these guideline values.

Dimensions of mounting plate





Height / Width / Depth 260 / 260 / 200 mm

Ordering data

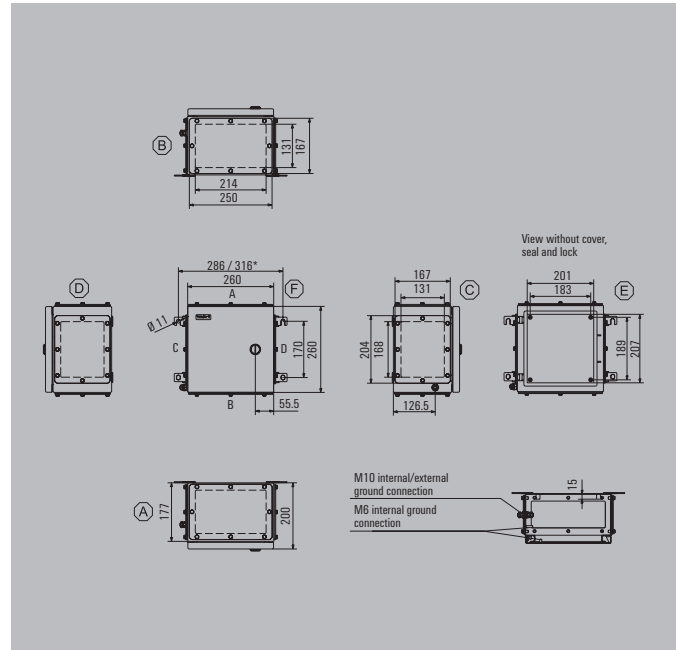
Stainless steel 1.4404 316L, electropolished		Order No.
1 gland plate - down		1199960000
2 gland plates - positioned at top and bottom (A & B)		1199970000
3 gland plates - positioned at bottom, left and right (B, C & D)		1199980000
4 gland plates - positioned at top, bottom, left and right (A, B, C & D)		1199990000

Note

Accessories

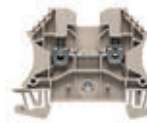
Mounting plates and fastening screws	Order No.
Steel sheet, zinc plated	1193950000
With hole pattern, sheet steel, galvanised	2022060000
Stainless steel 1.4301	1193820000
With hole pattern, natural stainless steel 1.4301	1257660000
Fastening screws for mounting plates	0642600000
Fastening screws for terminal rails	1274150000
Stainless steel spacer M6 x 8, Set of 4	
10 mm length	0935110000
15 mm length	0935120000
20 mm length	0935130000
30 mm length	0935140000
Gland plates - 3 mm with M6 earth studs	
Top and bottom sides (A & B), electropolished stainless steel 1.4404	2023100000
Left and right sides (C & D), electropolished stainless steel 1.4404	2023110000
Gland plates and screws - 6 mm	
Top and bottom sides (A & B), electropolished stainless steel 1.4404	1256320000
Left and right sides (C & D), electropolished stainless steel 1.4404	1256330000
Mounting screw, stainless steel 1.4404	1253230000
Rain hoods	
Stainless steel 1.4301, mirror-polished	1281380000
Stainless steel 1.4404, electro-polished	1314110000
Label holder	
70 x 70 angled stainless steel 1.4301	1279320000
130x50 stainless steel 1.4301	1283450000
100x25 stainless steel 1.4301	1257640000
Document holder	
For DIN A6 size documents	1252780000
Set of fixings*	
For label holders, rain hoods and document holders (rivet)	1252190000
For plastic (Trafolyte), identification plate (screw)	1285200000
Earthing stud	
Stainless steel 1.4404, M10	1192690000

Note * packing unit (PU) = 20 pcs., sufficient for 10 fixtures



Max. number of terminals (industry)

Max. number of terminals (industry)	vertical	horizontal
2.5 mm ²	2x35	2x34
4 mm ²	1x30	1x29
6 mm ²	1x22	1x22
10 mm ²	1x18	1x17
16 mm ²	1x15	1x14
35 mm ²		



Note

*For enclosure versions with zero, one or two gland plates, the horizontal gap between the mounting feet is reduced by 30 mm. Assembly with terminal blocks provides for 10 mm clearance to the ends of the mounting rail. Recommended order: TS 35 mounting rail (screw terminal) WDU 2.5 1020000000 / (tension clamp terminal) ZDU 2.5 1608510000 / (tension clamp terminal) PDU 2.5 1896110000 TS 32 mounting rail (screw terminal) SAK 2.5 0279660000 TS 15 mounting rail (screw terminal) AKZ 2.5 0697160000

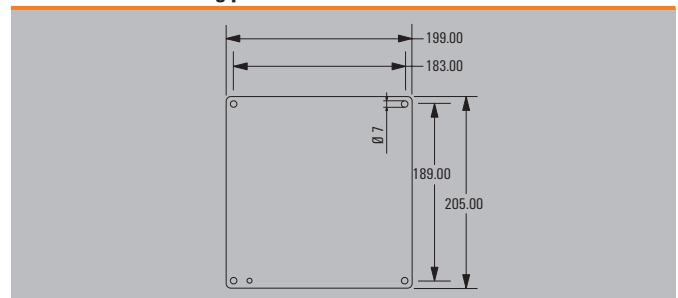
Number of cable entries

Number of cable entries	A / B	C / D
M12	33	25
M16	22	16
M20	14	11
M25	12	9
M32	6	4
M40	5	4
M50	2	2
M63	2	1
M75	1	1

Note

Our IP 68 brass cable glands serve as a reference for these recommended values.

Dimensions of mounting plate





Height / Width / Depth 306 / 306 / 150 mm

Ordering data

Stainless steel 1.4404 316L, electropolished	Order No.
1 gland plate - down	1200020000
2 gland plates - positioned at top and bottom (A & B)	1200030000
3 gland plates - positioned at bottom, left and right (B, C & D)	1200040000
4 gland plates - positioned at top, bottom, left and right (A, B, C & D)	1200050000

Note

Accessories

Mounting plates and fastening screws	Order No.
Steel sheet, zinc plated	1193960000
With hole pattern, sheet steel, galvanised	2022190000
Stainless steel 1.4301	1193830000
With hole pattern, natural stainless steel 1.4301	1257670000
Fastening screws for mounting plates	0642600000
Fastening screws for terminal rails	1274150000

Stainless steel spacer M6 x 8, Set of 4	Order No.
10 mm length	0935110000
15 mm length	0935120000
20 mm length	0935130000
30 mm length	0935140000

Gland plates - 3 mm with M6 earth studs	Order No.
Top and bottom sides (A & B), electropolished stainless steel 1.4404	2023120000
Left and right sides (C & D), electropolished stainless steel 1.4404	2023130000

Gland plates and screws - 6 mm	Order No.
Top and bottom sides (A & B), electropolished stainless steel 1.4404	1256340000
Left and right sides (C & D), electropolished stainless steel 1.4404	1256350000
Mounting screw, stainless steel 1.4404	1253230000

Rain hoods	Order No.
Stainless steel 1.4301, mirror-polished	1281390000
Stainless steel 1.4404, electro-polished	1314120000

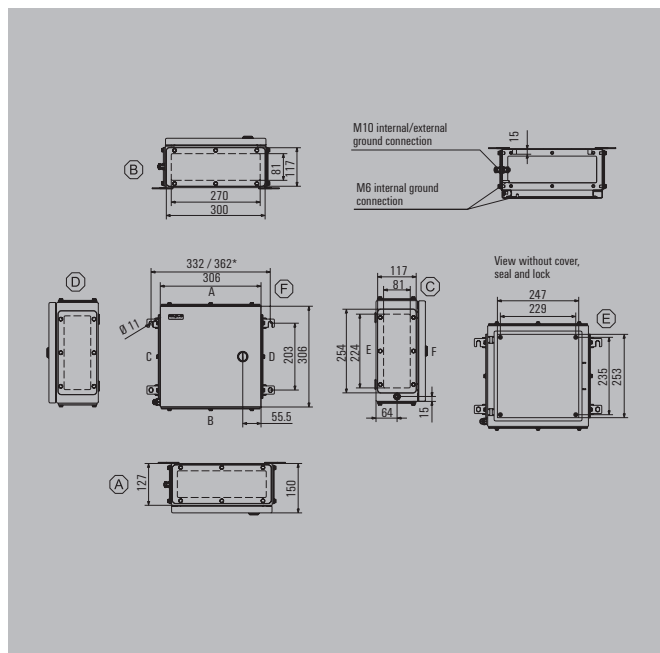
Label holder	Order No.
70 x 70 angled stainless steel 1.4301	1279320000
130x50 stainless steel 1.4301	1283450000
100x25 stainless steel 1.4301	1257640000

Document holder	Order No.
For DIN A6 size documents	1252780000

Set of fixings*	Order No.
For label holders, rain hoods and document holders (rivet)	1252190000
For plastic (Trafolyte), identification plate (screw)	1285200000

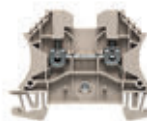
Earthing stud	Order No.
Stainless steel 1.4404, M10	1192690000

Note * packing unit (PU) = 20 pcs., sufficient for 10 fixtures



Max. number of terminals (industry)

Max. number of terminals (industry)	vertical	horizontal
2.5 mm ²	2x44	2x43
4 mm ²	2x37	2x36
6 mm ²	2x28	2x27
10 mm ²	1x22	1x22
16 mm ²	1x19	1x18
35 mm ²	1x14	1x13



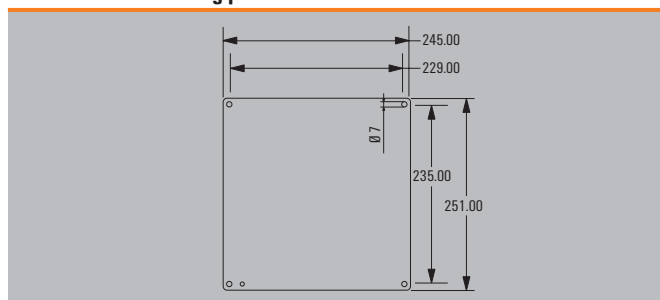
Note *For enclosure versions with zero, one or two gland plates, the horizontal gap between the mounting feet is reduced by 30 mm. Assembly with terminal blocks provides for 10 mm clearance to the ends of the mounting rail. Recommended order: TS 35 mounting rail (screw terminal) WDU 2.5 1020000000 / (tension clamp terminal) ZDU 2.5 1608510000 / (tension clamp terminal) PDU 2.5 1896110000 TS 32 mounting rail (screw terminal) SAK 2.5 0279660000 TS 15 mounting rail (screw terminal) AKZ 2.5 0697160000

Number of cable entries

Number of cable entries	A / B	C / D
M12	24	20
M16	13	11
M20	11	9
M25	5	4
M32	4	3
M40	3	3
M50	3	2
M63	0	0
M75	0	0

Note Our IP 68 brass cable glands are used as the reference for these guideline values.

Dimensions of mounting plate





Height / Width / Depth 306 / 306 / 200 mm

Ordering data

Stainless steel 1.4404 316L, electropolished	Order No.
1 gland plate - down	1200070000
2 gland plates - positioned at top and bottom (A & B)	1200080000
3 gland plates - positioned at bottom, left and right (B, C & D)	1200090000
4 gland plates - positioned at top, bottom, left and right (A, B, C & D)	1200100000

Note

Accessories

Mounting plates and fastening screws	Order No.
Steel sheet, zinc plated	1193960000
With hole pattern, sheet steel, galvanised	2022190000
Stainless steel 1.4301	1193830000
With hole pattern, natural stainless steel 1.4301	1257670000
Fastening screws for mounting plates	0642600000
Fastening screws for terminal rails	1274150000

Stainless steel spacer M6 x 8, Set of 4	Order No.
10 mm length	0935110000
15 mm length	0935120000
20 mm length	0935130000
30 mm length	0935140000

Gland plates - 3 mm with M6 earth studs	Order No.
Top and bottom sides (A & B), electropolished stainless steel 1.4404	2023140000
Left and right sides (C & D), electropolished stainless steel 1.4404	2023150000

Gland plates and screws - 6 mm	Order No.
Top and bottom sides (A & B), electropolished stainless steel 1.4404	1256360000
Left and right sides (C & D), electropolished stainless steel 1.4404	1256370000
Mounting screw, stainless steel 1.4404	1253230000

Rain hoods	Order No.
Stainless steel 1.4301, mirror-polished	1281400000
Stainless steel 1.4404, electro-polished	1314130000

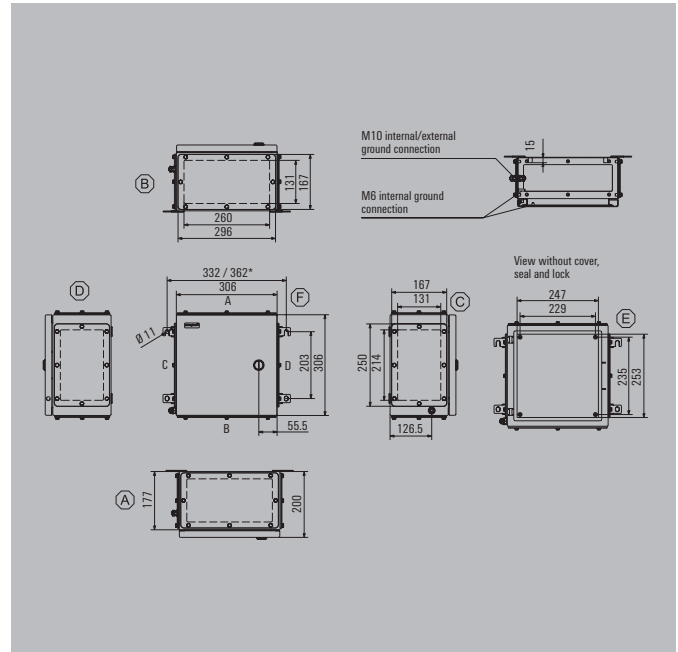
Label holder	Order No.
70 x 70 angled stainless steel 1.4301	1279320000
130x50 stainless steel 1.4301	1283450000
100x25 stainless steel 1.4301	1257640000

Document holder	Order No.
For DIN A6 size documents	1252780000

Set of fixings*	Order No.
For label holders, rain hoods and document holders (rivet)	1252190000
For plastic (Trafolyte), identification plate (screw)	1285200000

Earthing stud	Order No.
Stainless steel 1.4404, M10	1192690000

Note * packing unit (PU) = 20 pcs., sufficient for 10 fixtures



Max. number of terminals (industry)

Max. number of terminals (industry)	vertical	horizontal
2.5 mm ²	2x44	2x43
4 mm ²	2x37	2x36
6 mm ²	2x28	2x27
10 mm ²	1x22	1x22
16 mm ²	1x19	1x18
35 mm ²	1x14	1x13



Note

*For enclosure versions with zero, one or two gland plates, the horizontal gap between the mounting feet is reduced by 30 mm. Assembly with terminal blocks provides for 10 mm clearance to the ends of the mounting rail. Recommended order: TS 35 mounting rail (screw terminal) WDU 2.5 1020000000 / (tension clamp terminal) ZDU 2.5 1608510000 / (tension clamp terminal) PDU 2.5 1896110000 TS 32 mounting rail (screw terminal) SAK 2.5 0279660000 TS 15 mounting rail (screw terminal) AKZ 2.5 0697160000

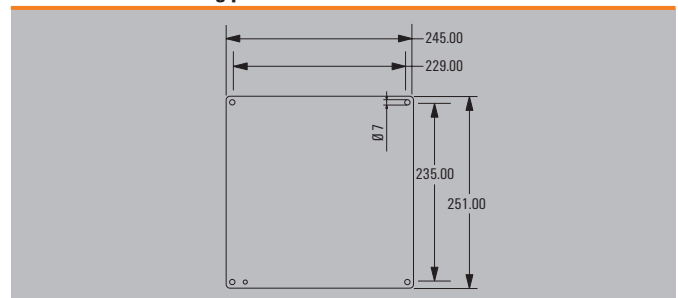
Number of cable entries

Number of cable entries	A / B	C / D
M12	40	33
M16	26	22
M20	17	14
M25	14	12
M32	8	6
M40	6	5
M50	3	2
M63	2	2
M75	2	1

Note

Our IP 68 brass cable glands serve as a reference for these recommended values.

Dimensions of mounting plate





Height / Width / Depth 350 / 260 / 150 mm

Ordering data

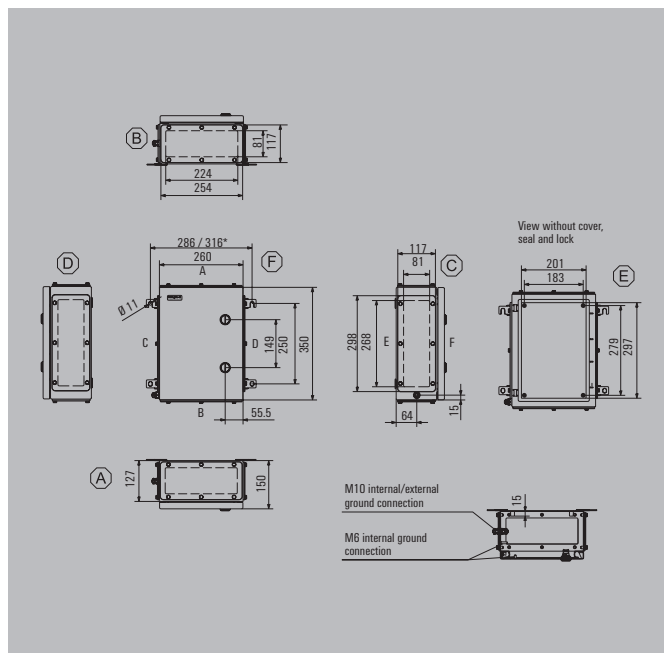
Stainless steel 1.4404 316L, electropolished	Order No.
1 gland plate - down	1200120000
2 gland plates - positioned at top and bottom (A & B)	1200130000
3 gland plates - positioned at bottom, left and right (B, C & D)	1200140000
4 gland plates - positioned at top, bottom, left and right (A, B, C & D)	1200150000

Note

Accessories

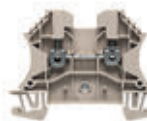
Mounting plates and fastening screws	Order No.
Steel sheet, zinc plated	1193970000
With hole pattern, sheet steel, galvanised	2022310000
Stainless steel 1.4301	1193840000
With hole pattern, natural stainless steel 1.4301	1257680000
Fastening screws for mounting plates	0642600000
Fastening screws for terminal rails	1274150000
Stainless steel spacer M6 x 8, Set of 4	
10 mm length	0935110000
15 mm length	0935120000
20 mm length	0935130000
30 mm length	0935140000
Gland plates - 3 mm with M6 earth studs	
Top and bottom sides (A & B), electropolished stainless steel 1.4404	2023160000
Left and right sides (C & D), electropolished stainless steel 1.4404	2023210000
Gland plates and screws - 6 mm	
Top and bottom sides (A & B), electropolished stainless steel 1.4404	1256380000
Left and right sides (C & D), electropolished stainless steel 1.4404	1256390000
Mounting screw, stainless steel 1.4404	1253230000
Rain hoods	
Stainless steel 1.4301, mirror-polished	1281410000
Stainless steel 1.4404, electro-polished	1314140000
Label holder	
70 x 70 angled stainless steel 1.4301	1279320000
130x50 stainless steel 1.4301	1283450000
100x25 stainless steel 1.4301	1257640000
Document holder	
For DIN A6 size documents	1252780000
Set of fixings*	
For label holders, rain hoods and document holders (rivet)	1252190000
For plastic (Trafolyte), identification plate (screw)	1285200000
Earthing stud	
Stainless steel 1.4404, M10	1192690000

Note * packing unit (PU) = 20 pcs., sufficient for 10 fixtures



Max. number of terminals (industry)

Max. number of terminals (industry)	vertical	horizontal
2.5 mm ²	2x53	2x34
4 mm ²	1x44	2x29
6 mm ²	1x33	2x22
10 mm ²	1x27	2x17
16 mm ²	1x22	1x14
35 mm ²		1x11



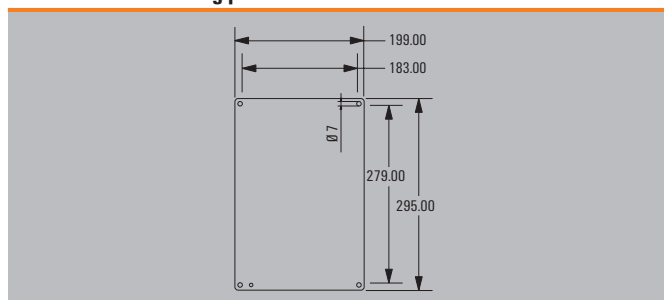
Note *For enclosure versions with zero, one or two gland plates, the horizontal gap between the mounting feet is reduced by 30 mm. Assembly with terminal blocks provides for 10 mm clearance to the ends of the mounting rail. Recommended order: TS 35 mounting rail (screw terminal) WDU 2.5 1020000000 / (tension clamp terminal) ZDU 2.5 1608510000 / (tension clamp terminal) PDU 2.5 1896110000 TS 32 mounting rail (screw terminal) SAK 2.5 0279660000 TS 15 mounting rail (screw terminal) AKZ 2.5 0697160000

Number of cable entries

Number of cable entries	A / B	C / D
M12	20	23
M16	11	13
M20	9	11
M25	4	5
M32	3	4
M40	3	3
M50	2	3
M63	0	0
M75	0	0

Note Our IP 68 brass cable glands serve as a reference for these recommended values.

Dimensions of mounting plate





Height / Width / Depth 350 / 260 / 200 mm

Ordering data

Stainless steel 1.4404 316L, electropolished	Order No.
1 gland plate - down	1200170000
2 gland plates - positioned at top and bottom (A & B)	1200180000
3 gland plates - positioned at bottom, left and right (B, C & D)	1200190000
4 gland plates - positioned at top, bottom, left and right (A, B, C & D)	1200210000

Note

Accessories

Mounting plates and fastening screws	Order No.
Steel sheet, zinc plated	1193970000
With hole pattern, sheet steel, galvanised	2022310000
Stainless steel 1.4301	1193840000
With hole pattern, natural stainless steel 1.4301	1257680000
Fastening screws for mounting plates	0642600000
Fastening screws for terminal rails	1274150000

Stainless steel spacer M6 x 8, Set of 4	Order No.
10 mm length	0935110000
15 mm length	0935120000
20 mm length	0935130000
30 mm length	0935140000

Gland plates - 3 mm with M6 earth studs	Order No.
Top and bottom sides (A & B), electropolished stainless steel 1.4404	2023230000
Left and right sides (C & D), electropolished stainless steel 1.4404	2023280000

Gland plates and screws - 6 mm	Order No.
Top and bottom sides (A & B), electropolished stainless steel 1.4404	1256410000
Left and right sides (C & D), electropolished stainless steel 1.4404	1256420000
Mounting screw, stainless steel 1.4404	1253230000

Rain hoods	Order No.
Stainless steel 1.4301, mirror-polished	1281420000
Stainless steel 1.4404, electro-polished	1314150000

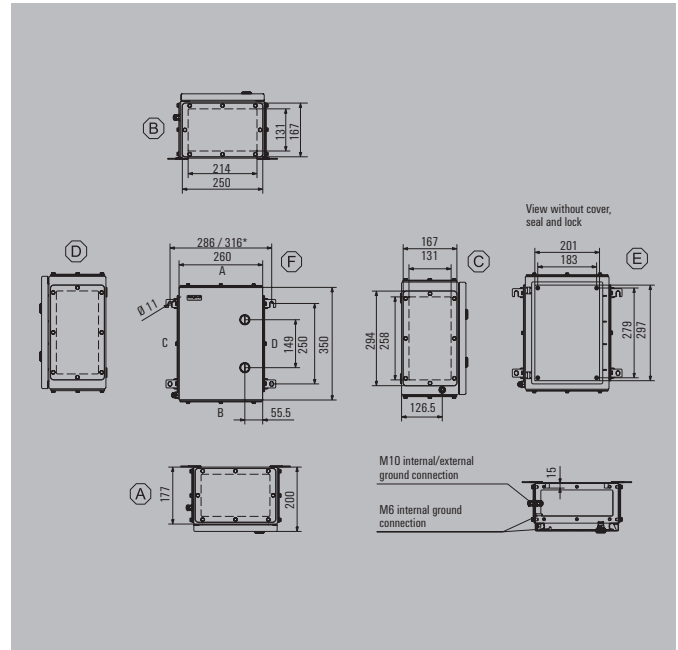
Label holder	Order No.
70 x 70 angled stainless steel 1.4301	1279320000
130x50 stainless steel 1.4301	1283450000
100x25 stainless steel 1.4301	1257640000

Document holder	Order No.
For DIN A6 size documents	1252780000

Set of fixings*	Order No.
For label holders, rain hoods and document holders (rivet)	1252190000
For plastic (Trafolyte), identification plate (screw)	1285200000

Earthing stud	Order No.
Stainless steel 1.4404, M10	1192690000

Note * packing unit (PU) = 20 pcs., sufficient for 10 fixtures



Max. number of terminals (industry)

Max. number of terminals (industry)	vertical	horizontal
2.5 mm ²	2x53	2x34
4 mm ²	1x44	2x29
6 mm ²	1x33	2x22
10 mm ²	1x27	2x17
16 mm ²	1x22	1x14
35 mm ²		1x11

Note

*For enclosure versions with zero, one or two gland plates, the horizontal gap between the mounting feet is reduced by 30 mm. Assembly with terminal blocks provides for 10 mm clearance to the ends of the mounting rail. Recommended order: TS 35 mounting rail (screw terminal) WDU 2.5 1020000000 / (tension clamp terminal) ZDU 2.5 1608510000 / (tension clamp terminal) PDU 2.5 1896110000 TS 32 mounting rail (screw terminal) SAK 2.5 0279660000 TS 15 mounting rail (screw terminal) AKZ 2.5 0697160000

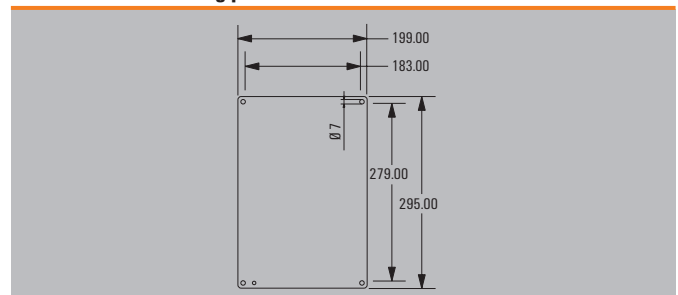
Number of cable entries

Number of cable entries	A / B	C / D
M12	33	38
M16	22	26
M20	14	17
M25	12	14
M32	6	7
M40	5	6
M50	2	3
M63	2	2
M75	1	2

Note

Our IP 68 brass cable glands are used as the reference for these guideline values.

Dimensions of mounting plate





Height / Width / Depth 400 / 300 / 150 mm

Ordering data

Stainless steel 1.4404 316L, electropolished	Order No.
1 gland plate - down	1200230000
2 gland plates - positioned at top and bottom (A & B)	1200240000
3 gland plates - positioned at bottom, left and right (B, C & D)	1200250000
4 gland plates - positioned at top, bottom, left and right (A, B, C & D)	1200260000

Note

Accessories

Mounting plates and fastening screws	Order No.
Steel sheet, zinc plated	1193980000
With hole pattern, sheet steel, galvanised	2022420000
Stainless steel 1.4301	1193850000
With hole pattern, natural stainless steel 1.4301	1257690000
Fastening screws for mounting plates	0642600000
Fastening screws for terminal rails	1274150000

Stainless steel spacer M6 x 8, Set of 4	Order No.
10 mm length	0935110000
15 mm length	0935120000
20 mm length	0935130000
30 mm length	0935140000

Gland plates - 3 mm with M6 earth studs	Order No.
Top and bottom sides (A & B), electropolished stainless steel 1.4404	2023320000
Left and right sides (C & D), electropolished stainless steel 1.4404	2023330000

Gland plates and screws - 6 mm	Order No.
Top and bottom sides (A & B), electropolished stainless steel 1.4404	1256430000
Left and right sides (C & D), electropolished stainless steel 1.4404	1256440000
Mounting screw, stainless steel 1.4404	1253230000

Rain hoods	Order No.
Stainless steel 1.4301, mirror-polished	1281430000
Stainless steel 1.4404, electro-polished	1314170000

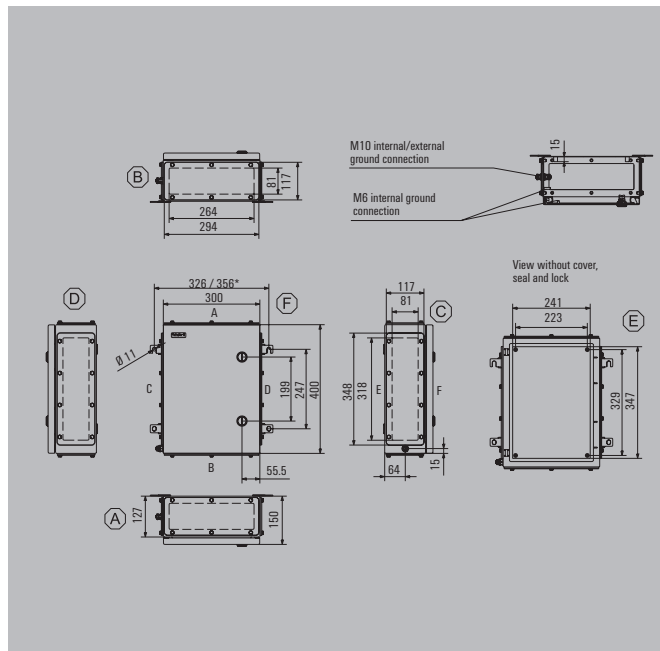
Label holder	Order No.
70 x 70 angled stainless steel 1.4301	1279320000
130x50 stainless steel 1.4301	1283450000
100x25 stainless steel 1.4301	1257640000

Document holder	Order No.
For DIN A6 size documents	1252780000

Set of fixings*	Order No.
For label holders, rain hoods and document holders (rivet)	1252190000
For plastic (Trafolyte), identification plate (screw)	1285200000

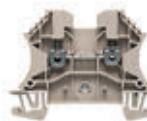
Earthing stud	Order No.
Stainless steel 1.4404, M10	1192690000

Note * packing unit (PU) = 20 pcs., sufficient for 10 fixtures



Max. number of terminals (industry)

Max. number of terminals (industry)	vertical	horizontal
2.5 mm ²	2x62	3x42
4 mm ²	2x52	3x35
6 mm ²	1x39	2x26
10 mm ²	1x32	2x21
16 mm ²	1x26	2x18
35 mm ²	1x20	1x13



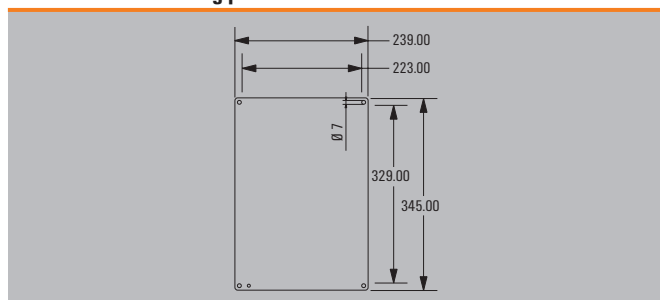
Note *For enclosure versions with zero, one or two gland plates, the horizontal gap between the mounting feet is reduced by 30 mm. Assembly with terminal blocks provides for 10 mm clearance to the ends of the mounting rail. Recommended order: TS 35 mounting rail (screw terminal) WDU 2.5 1020000000 / (tension clamp terminal) ZDU 2.5 1608510000 / (tension clamp terminal) PDU 2.5 1896110000 TS 32 mounting rail (screw terminal) SAK 2.5 0279660000 TS 15 mounting rail (screw terminal) AKZ 2.5 0697160000

Number of cable entries

Number of cable entries	A / B	C / D
M12	23	29
M16	13	16
M20	11	13
M25	5	6
M32	4	5
M40	3	4
M50	3	3
M63	0	0
M75	0	0

Note Our IP 68 brass cable glands serve as a reference for these recommended values.

Dimensions of mounting plate





Height / Width / Depth 400 / 300 / 200 mm

Ordering data

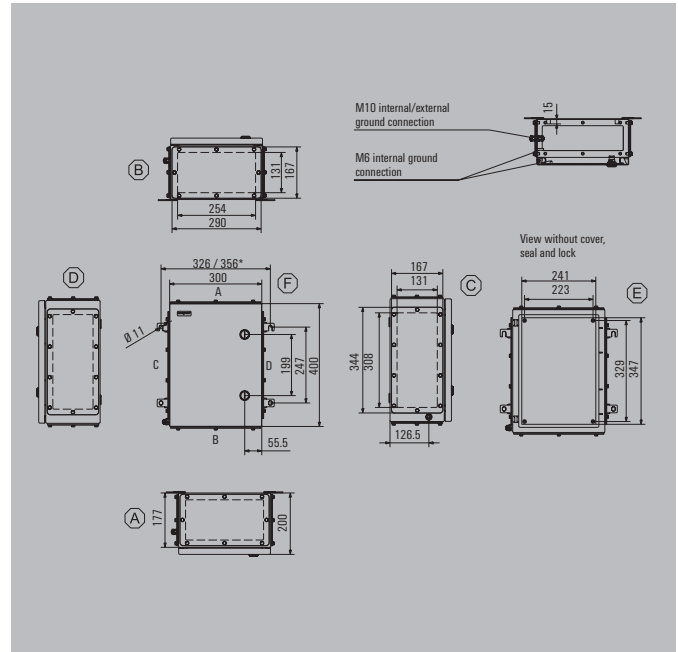
Stainless steel 1.4404 316L, electropolished	Order No.
1 gland plate - down	1200280000
2 gland plates - positioned at top and bottom (A & B)	1200290000
3 gland plates - positioned at bottom, left and right (B, C & D)	1200310000
4 gland plates - positioned at top, bottom, left and right (A, B, C & D)	1200320000

Note

Accessories

Mounting plates and fastening screws	Order No.
Steel sheet, zinc plated	1193980000
With hole pattern, sheet steel, galvanised	2022420000
Stainless steel 1.4301	1193850000
With hole pattern, natural stainless steel 1.4301	1257690000
Fastening screws for mounting plates	0642600000
Fastening screws for terminal rails	1274150000
Stainless steel spacer M6 x 8, Set of 4	
10 mm length	0935110000
15 mm length	0935120000
20 mm length	0935130000
30 mm length	0935140000
Gland plates - 3 mm with M6 earth studs	
Top and bottom sides (A & B), electropolished stainless steel 1.4404	2023450000
Left and right sides (C & D), electropolished stainless steel 1.4404	2023480000
Gland plates and screws - 6 mm	
Top and bottom sides (A & B), electropolished stainless steel 1.4404	1256450000
Left and right sides (C & D), electropolished stainless steel 1.4404	1256470000
Mounting screw, stainless steel 1.4404	1253230000
Rain hoods	
Stainless steel 1.4301, mirror-polished	1281440000
Stainless steel 1.4404, electro-polished	1314180000
Label holder	
70 x 70 angled stainless steel 1.4301	1279320000
130x50 stainless steel 1.4301	1283450000
100x25 stainless steel 1.4301	1257640000
Document holder	
For DIN A6 size documents	1252780000
Set of fixings*	
For label holders, rain hoods and document holders (rivet)	1252190000
For plastic (Trafolyte), identification plate (screw)	1285200000
Earthing stud	
Stainless steel 1.4404, M10	1192690000

Note * packing unit (PU) = 20 pcs., sufficient for 10 fixtures



Max. number of terminals (industry)

Max. number of terminals (industry)	vertical	horizontal
2.5 mm ²	2x62	3x42
4 mm ²	2x52	3x35
6 mm ²	1x39	2x26
10 mm ²	1x32	2x21
16 mm ²	1x26	2x18
35 mm ²	1x20	1x13

Note

*For enclosure versions with zero, one or two gland plates, the horizontal gap between the mounting feet is reduced by 30 mm. Assembly with terminal blocks provides for 10 mm clearance to the ends of the mounting rail. Recommended order: TS 35 mounting rail (screw terminal) WDU 2.5 1020000000 / (tension clamp terminal) ZDU 2.5 1608510000 / (tension clamp terminal) PDU 2.5 1896110000 TS 32 mounting rail (screw terminal) SAK 2.5 0279660000 TS 15 mounting rail (screw terminal) AKZ 2.5 0697160000

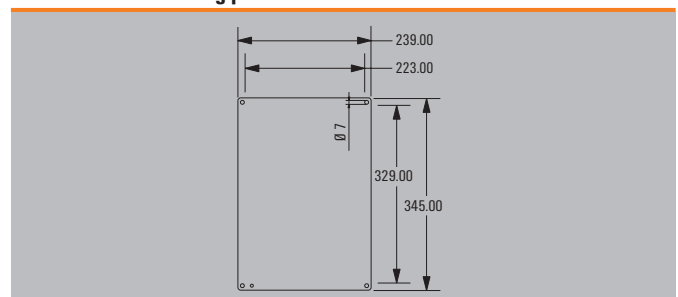
Number of cable entries

Number of cable entries	A / B	C / D
M12	38	48
M16	26	32
M20	17	20
M25	14	17
M32	7	9
M40	6	7
M50	3	3
M63	2	3
M75	2	2

Note

Our IP 68 brass cable glands are used as the reference for these guideline values.

Dimensions of mounting plate





Height / Width / Depth 458 / 382 / 150 mm

Ordering data

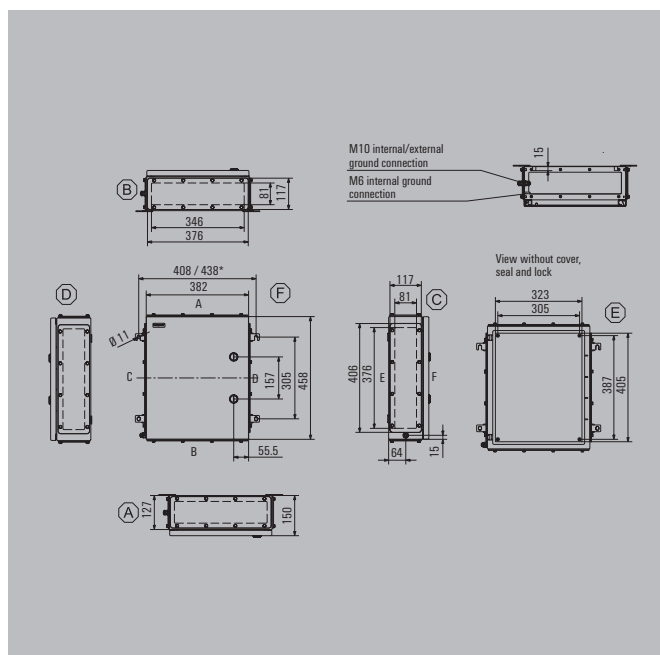
Stainless steel 1.4404 316L, electropolished	Order No.
1 gland plate - down	1200340000
2 gland plates - positioned at top and bottom (A & B)	1200350000
3 gland plates - positioned at bottom, left and right (B, C & D)	1200360000
4 gland plates - positioned at top, bottom, left and right (A, B, C & D)	1200370000

Note

Accessories

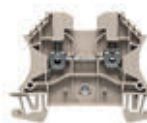
Mounting plates and fastening screws	Order No.
Steel sheet, zinc plated	1193990000
With hole pattern, sheet steel, galvanised	2022590000
Stainless steel 1.4301	1193860000
With hole pattern, natural stainless steel 1.4301	1257700000
Fastening screws for mounting plates	0642600000
Fastening screws for terminal rails	1274150000
Stainless steel spacer M6 x 8, Set of 4	
10 mm length	0935110000
15 mm length	0935120000
20 mm length	0935130000
30 mm length	0935140000
Gland plates - 3 mm with M6 earth studs	
Top and bottom sides (A & B), electropolished stainless steel 1.4404	2023490000
Left and right sides (C & D), electropolished stainless steel 1.4404	2023500000
Gland plates and screws - 6 mm	
Top and bottom sides (A & B), electropolished stainless steel 1.4404	1256480000
Left and right sides (C & D), electropolished stainless steel 1.4404	1256490000
Mounting screw, stainless steel 1.4404	1253230000
Rain hoods	
Stainless steel 1.4301, mirror-polished	1281450000
Stainless steel 1.4404, electro-polished	1314190000
Label holder	
70 x 70 angled stainless steel 1.4301	1279320000
130x50 stainless steel 1.4301	1283450000
100x25 stainless steel 1.4301	1257640000
Document holder	
For DIN A6 size documents	1252780000
For DIN A5 size documents	1252750000
For DIN A4 size documents	1252730000
Set of fixings*	
For label holders, rain hoods and document holders (rivet)	1252190000
For plastic (Trafolyte), identification plate (screw)	1285200000
Earthing stud	
Stainless steel 1.4404, M10	1192690000

Note * packing unit (PU) = 20 pcs., sufficient for 10 fixtures



Max. number of terminals (industry)

Max. number of terminals (industry)	vertical	horizontal
2.5 mm ²	3x73	4x58
4 mm ²	2x62	3x48
6 mm ²	2x46	3x36
10 mm ²	2x37	2x29
16 mm ²	2x31	2x24
35 mm ²	1x23	1x18



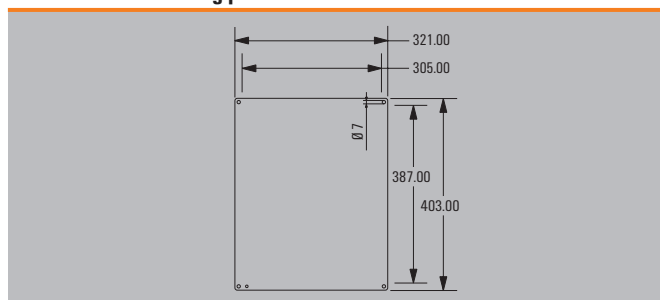
Note *For enclosure versions with zero, one or two gland plates, the horizontal gap between the mounting feet is reduced by 30 mm. Assembly with terminal blocks provides for 10 mm clearance to the ends of the mounting rail. Recommended order: TS 35 mounting rail (screw terminal) WDU 2.5 1020000000 / (tension clamp terminal) ZDU 2.5 1608510000 / (tension clamp terminal) PDU 2.5 1896110000 TS 32 mounting rail (screw terminal) SAK 2.5 0279660000 TS 15 mounting rail (screw terminal) AKZ 2.5 0697160000

Number of cable entries

Number of cable entries	A / B	C / D
M12	30	33
M16	17	19
M20	15	16
M25	6	7
M32	5	6
M40	4	5
M50	4	4
M63	0	0
M75	0	0

Note Our IP 68 brass cable glands serve as a reference for these recommended values.

Dimensions of mounting plate





Height / Width / Depth 458 / 382 / 200 mm

Ordering data

Stainless steel 1.4404 316L, electropolished		Order No.
1 gland plate - down		1200390000
2 gland plates - positioned at top and bottom (A & B)		1200410000
3 gland plates - positioned at bottom, left and right (B, C & D)		1200420000
4 gland plates - positioned at top, bottom, left and right (A, B, C & D)		1200430000

Note

Accessories

Mounting plates and fastening screws		Order No.
Steel sheet, zinc plated		1193990000
With hole pattern, sheet steel, galvanised		2022590000
Stainless steel 1.4301		1193860000
With hole pattern, natural stainless steel 1.4301		1257700000
Fastening screws for mounting plates		0642600000
Fastening screws for terminal rails		1274150000

Stainless steel spacer M6 x 8, Set of 4		Order No.
10 mm length		0935110000
15 mm length		0935120000
20 mm length		0935130000
30 mm length		0935140000

Gland plates - 3 mm with M6 earth studs		Order No.
Top and bottom sides (A & B), electropolished stainless steel 1.4404		2023510000
Left and right sides (C & D), electropolished stainless steel 1.4404		2023520000

Gland plates and screws - 6 mm		Order No.
Top and bottom sides (A & B), electropolished stainless steel 1.4404		1256510000
Left and right sides (C & D), electropolished stainless steel 1.4404		1256520000
Mounting screw, stainless steel 1.4404		1253230000

Rain hoods		Order No.
Stainless steel 1.4301, mirror-polished		1281460000
Stainless steel 1.4404, electro-polished		1314200000

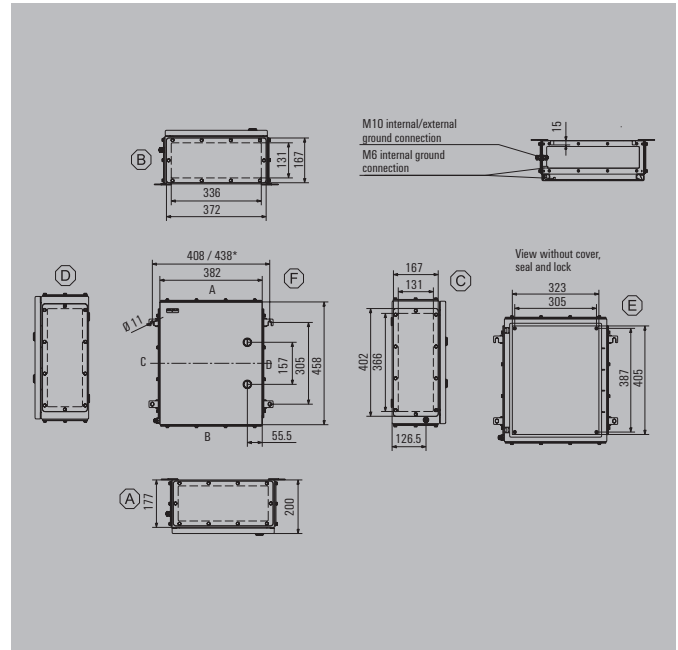
Label holder		Order No.
70 x 70 angled stainless steel 1.4301		1279320000
130x50 stainless steel 1.4301		1283450000
100x25 stainless steel 1.4301		1257640000

Document holder		Order No.
For DIN A6 size documents		1252780000
For DIN A5 size documents		1252750000
For DIN A4 size documents		1252730000

Set of fixings*		Order No.
For label holders, rain hoods and document holders (rivet)		1252190000
For plastic (Trafolyte), identification plate (screw)		1285200000

Earthing stud		Order No.
Stainless steel 1.4404, M10		1192690000

Note * packing unit (PU) = 20 pcs., sufficient for 10 fixtures



Max. number of terminals (industry)

Max. number of terminals (industry)	vertical	horizontal
2.5 mm ²	3x73	4x58
4 mm ²	2x62	3x48
6 mm ²	2x46	3x36
10 mm ²	2x37	2x29
16 mm ²	2x31	2x24
35 mm ²	1x23	1x18

Note

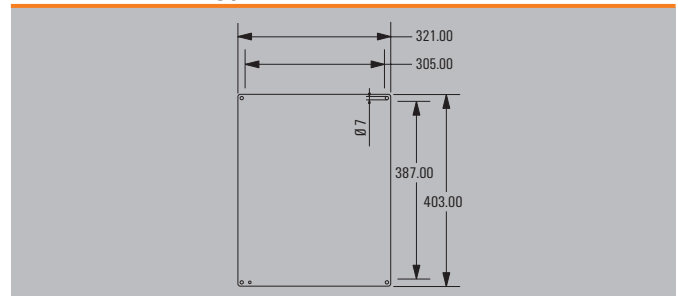
*For enclosure versions with zero, one or two gland plates, the horizontal gap between the mounting feet is reduced by 30 mm. Assembly with terminal blocks provides for 10 mm clearance to the ends of the mounting rail. Recommended order: TS 35 mounting rail (screw terminal) WDU 2.5 1020000000 / (tension clamp terminal) ZDU 2.5 1608510000 / (tension clamp terminal) PDU 2.5 1896110000 TS 32 mounting rail (screw terminal) SAK 2.5 0279660000 TS 15 mounting rail (screw terminal) AKZ 2.5 0697160000

Number of cable entries

Number of cable entries	A / B	C / D
M12	50	55
M16	34	38
M20	23	24
M25	18	21
M32	10	11
M40	8	9
M50	4	4
M63	3	3
M75	2	3

Note Our IP 68 brass cable glands are used as the reference for these guideline values.

Dimensions of mounting plate





Height / Width / Depth 480 / 480 / 150 mm

Ordering data

Stainless steel 1.4404 316L, electropolished		Order No.
1 gland plate - down		1200450000
2 gland plates - positioned at top and bottom (A & B)		1200460000
3 gland plates - positioned at bottom, left and right (B, C & D)		1200470000
4 gland plates - positioned at top, bottom, left and right (A, B, C & D)		1200480000

Note

Accessories

Mounting plates and fastening screws		Order No.
Steel sheet, zinc plated		1194000000
With hole pattern, sheet steel, galvanised		2022610000
Stainless steel 1.4301		1193870000
With hole pattern, natural stainless steel 1.4301		1257710000
Fastening screws for mounting plates		0642600000
Fastening screws for terminal rails		1274150000

Stainless steel spacer M6 x 8, Set of 4		Order No.
10 mm length		0935110000
15 mm length		0935120000
20 mm length		0935130000
30 mm length		0935140000

Gland plates - 3 mm with M6 earth studs		Order No.
Top and bottom sides (A & B), electropolished stainless steel 1.4404		2023530000
Left and right sides (C & D), electropolished stainless steel 1.4404		2023540000

Gland plates and screws - 6 mm		Order No.
Top and bottom sides (A & B), electropolished stainless steel 1.4404		1256530000
Left and right sides (C & D), electropolished stainless steel 1.4404		1256540000
Mounting screw, stainless steel 1.4404		1253230000

Rain hoods		Order No.
Stainless steel 1.4301, mirror-polished		1281470000
Stainless steel 1.4404, electro-polished		1314220000

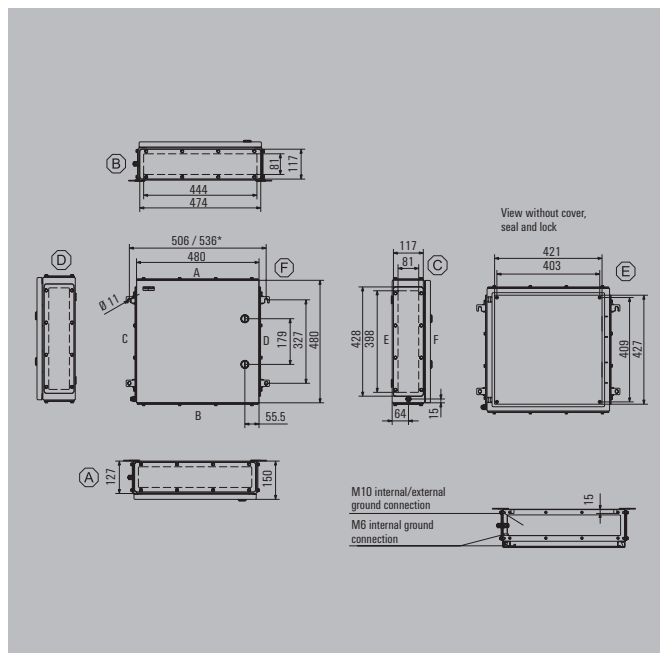
Label holder		Order No.
70 x 70 angled stainless steel 1.4301		1279320000
130x50 stainless steel 1.4301		1283450000
100x25 stainless steel 1.4301		1257640000

Document holder		Order No.
For DIN A6 size documents		1252780000
For DIN A5 size documents		1252750000
For DIN A4 size documents		1252730000

Set of fixings*		Order No.
For label holders, rain hoods and document holders (rivet)		1252190000
For plastic (Trafolyte), identification plate (screw)		1285200000

Earthing stud		Order No.
Stainless steel 1.4404, M10		1192690000

Note * packing unit (PU) = 20 pcs., sufficient for 10 fixtures



Max. number of terminals (industry)

Max. number of terminals (industry)	vertical	horizontal
2.5 mm ²	4x78	4x77
4 mm ²	3x65	3x64
6 mm ²	3x49	3x48
10 mm ²	2x39	3x39
16 mm ²	2x33	2x32
35 mm ²	1x25	2x24

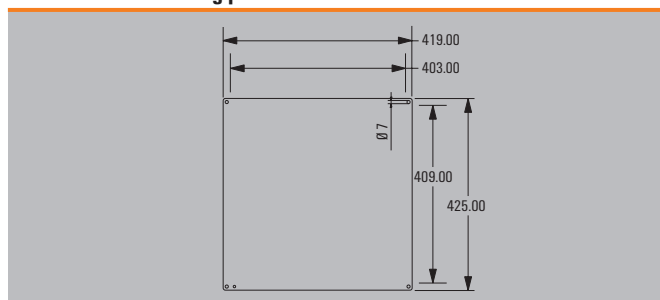
Note *For enclosure versions with zero, one or two gland plates, the horizontal gap between the mounting feet is reduced by 30 mm. Assembly with terminal blocks provides for 10 mm clearance to the ends of the mounting rail. Recommended order: TS 35 mounting rail (screw terminal) WDU 2.5 1020000000 / (tension clamp terminal) ZDU 2.5 1608510000 / (tension clamp terminal) PDU 2.5 1896110000 TS 32 mounting rail (screw terminal) SAK 2.5 0279660000 TS 15 mounting rail (screw terminal) AKZ 2.5 0697160000

Number of cable entries

Number of cable entries	A / B	C / D
M12	39	36
M16	22	20
M20	19	17
M25	8	7
M32	7	6
M40	6	5
M50	5	4
M63	0	0
M75	0	0

Note Our IP 68 brass cable glands are used as the reference for these guideline values.

Dimensions of mounting plate





Height / Width / Depth 480 / 480 / 200 mm

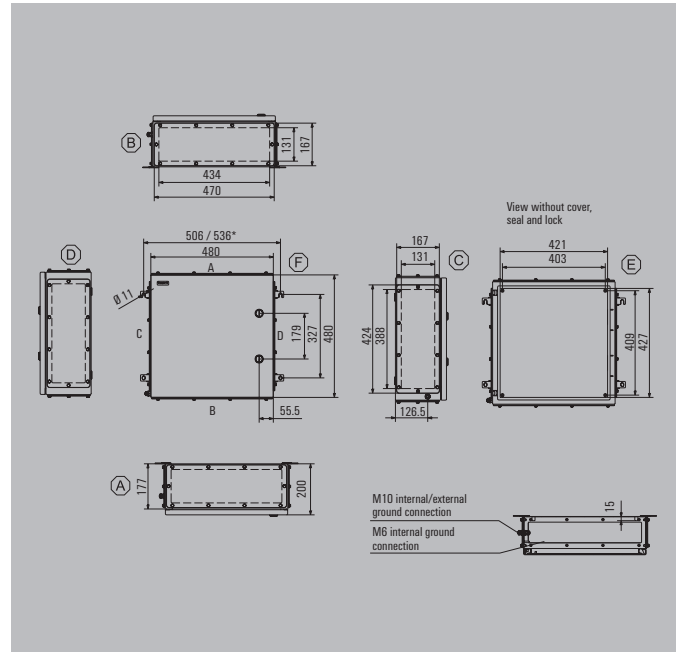
Ordering data

Stainless steel 1.4404 316L, electropolished	Order No.
1 gland plate - down	1200510000
2 gland plates - positioned at top and bottom (A & B)	1200520000
3 gland plates - positioned at bottom, left and right (B, C & D)	1200530000
4 gland plates - positioned at top, bottom, left and right (A, B, C & D)	1200540000

Note

Accessories

Mounting plates and fastening screws	Order No.
Steel sheet, zinc plated	1194000000
With hole pattern, sheet steel, galvanised	2022610000
Stainless steel 1.4301	1193870000
With hole pattern, natural stainless steel 1.4301	1257710000
Fastening screws for mounting plates	0642600000
Fastening screws for terminal rails	1274150000
Stainless steel spacer M6 x 8, Set of 4	
10 mm length	0935110000
15 mm length	0935120000
20 mm length	0935130000
30 mm length	0935140000
Gland plates - 3 mm with M6 earth studs	
Top and bottom sides (A & B), electropolished stainless steel 1.4404	2023580000
Left and right sides (C & D), electropolished stainless steel 1.4404	2023620000
Gland plates and screws - 6 mm	
Top and bottom sides (A & B), electropolished stainless steel 1.4404	1256550000
Left and right sides (C & D), electropolished stainless steel 1.4404	1256560000
Mounting screw, stainless steel 1.4404	1253230000
Rain hoods	
Stainless steel 1.4301, mirror-polished	1281480000
Stainless steel 1.4404, electro-polished	1314230000
Label holder	
70 x 70 angled stainless steel 1.4301	1279320000
130x50 stainless steel 1.4301	1283450000
100x25 stainless steel 1.4301	1257640000
Document holder	
For DIN A6 size documents	1252780000
For DIN A5 size documents	1252750000
For DIN A4 size documents	1252730000
Set of fixings*	
For label holders, rain hoods and document holders (rivet)	1252190000
For plastic (Trafolyte), identification plate (screw)	1285200000
Earthing stud	
Stainless steel 1.4404, M10	1192690000
Note	* packing unit (PU) = 20 pcs., sufficient for 10 fixtures



Max. number of terminals (industry)

Max. number of terminals (industry)	vertical	horizontal
2.5 mm ²	4x78	4x77
4 mm ²	3x65	3x64
6 mm ²	3x49	3x48
10 mm ²	2x39	3x39
16 mm ²	2x33	2x32
35 mm ²	1x25	2x24

Note

*For enclosure versions with zero, one or two gland plates, the horizontal gap between the mounting feet is reduced by 30 mm. Assembly with terminal blocks provides for 10 mm clearance to the ends of the mounting rail. Recommended order: TS 35 mounting rail (screw terminal) WDU 2.5 1020000000 / (tension clamp terminal) ZDU 2.5 1608510000 / (tension clamp terminal) PDU 2.5 1896110000 TS 32 mounting rail (screw terminal) SAK 2.5 0279660000 TS 15 mounting rail (screw terminal) AKZ 2.5 0697160000

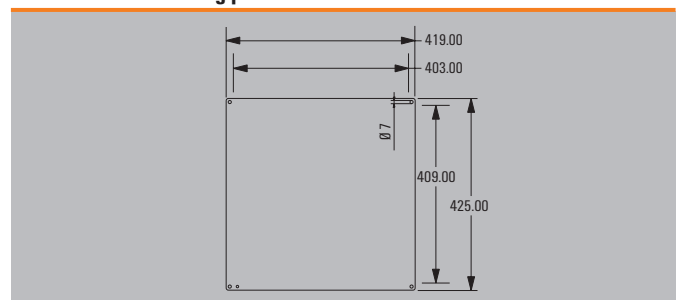
Number of cable entries

Number of cable entries	A / B	C / D
M12	65	60
M16	44	40
M20	29	26
M25	24	21
M32	13	12
M40	11	10
M50	5	4
M63	4	4
M75	3	3

Note

Our IP 68 brass cable glands serve as a reference for these recommended values.

Dimensions of mounting plate





Height / Width / Depth 550 / 350 / 150 mm

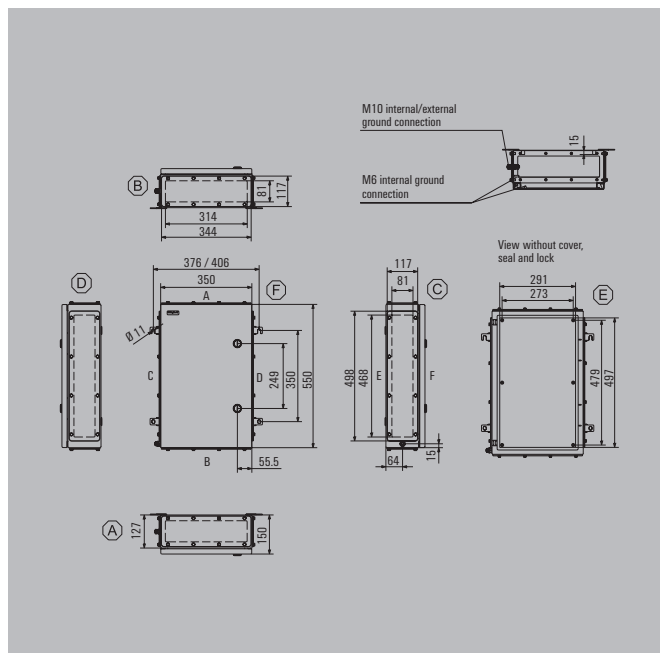
Ordering data

Stainless steel 1.4404 316L, electropolished	Order No.
1 gland plate - down	1200560000
2 gland plates - positioned at top and bottom (A & B)	1200570000
3 gland plates - positioned at bottom, left and right (B, C & D)	1200580000
4 gland plates - positioned at top, bottom, left and right (A, B, C & D)	1200590000

Note

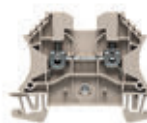
Accessories

Mounting plates and fastening screws	Order No.
Steel sheet, zinc plated	1194010000
With hole pattern, sheet steel, galvanised	2022650000
Stainless steel 1.4301	1193880000
With hole pattern, natural stainless steel 1.4301	1257720000
Fastening screws for mounting plates	0642600000
Fastening screws for terminal rails	1274150000
Stainless steel spacer M6 x 8, Set of 4	
10 mm length	0935110000
15 mm length	0935120000
20 mm length	0935130000
30 mm length	0935140000
Gland plates - 3 mm with M6 earth studs	
Top and bottom sides (A & B), electropolished stainless steel 1.4404	2023660000
Left and right sides (C & D), electropolished stainless steel 1.4404	2023670000
Gland plates and screws - 6 mm	
Top and bottom sides (A & B), electropolished stainless steel 1.4404	1256570000
Left and right sides (C & D), electropolished stainless steel 1.4404	1256580000
Mounting screw, stainless steel 1.4404	1253230000
Rain hoods	
Stainless steel 1.4301, mirror-polished	1281490000
Stainless steel 1.4404, electro-polished	1314240000
Label holder	
70 x 70 angled stainless steel 1.4301	1279320000
130x50 stainless steel 1.4301	1283450000
100x25 stainless steel 1.4301	1257640000
Document holder	
For DIN A6 size documents	1252780000
For DIN A5 size documents	1252750000
Set of fixings*	
For label holders, rain hoods and document holders (rivet)	1252190000
For plastic (Trafolyte), identification plate (screw)	1285200000
Earthing stud	
Stainless steel 1.4404, M10	1192690000
Note	* packing unit (PU) = 20 pcs., sufficient for 10 fixtures



Max. number of terminals (industry)

Max. number of terminals (industry)	vertical	horizontal
2.5 mm ²	2x91	4x52
4 mm ²	2x76	4x43
6 mm ²	2x58	4x32
10 mm ²	2x46	3x26
16 mm ²	1x39	3x22
35 mm ²	1x29	2x16



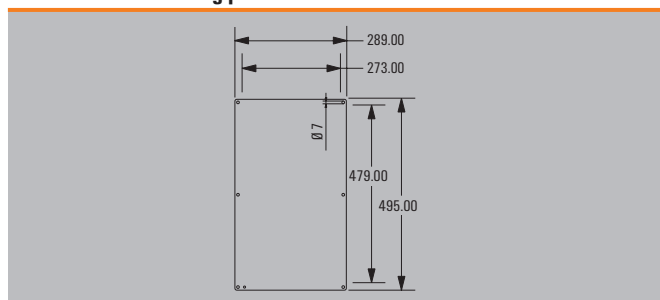
Note *For enclosure versions with zero, one or two gland plates, the horizontal gap between the mounting feet is reduced by 30 mm. Assembly with terminal blocks provides for 10 mm clearance to the ends of the mounting rail. Recommended order: TS 35 mounting rail (screw terminal) WDU 2.5 1020000000 / (tension clamp terminal) ZDU 2.5 1608510000 / (tension clamp terminal) PDU 2.5 1896110000 TS 32 mounting rail (screw terminal) SAK 2.5 0279660000 TS 15 mounting rail (screw terminal) AKZ 2.5 0697160000

Number of cable entries

Number of cable entries	A / B	C / D
M12	27	42
M16	15	24
M20	13	20
M25	6	9
M32	5	7
M40	4	6
M50	3	5
M63	0	0
M75	0	0

Note Our IP 68 brass cable glands are used as the reference for these guideline values.

Dimensions of mounting plate





Height / Width / Depth 550 / 350 / 200 mm

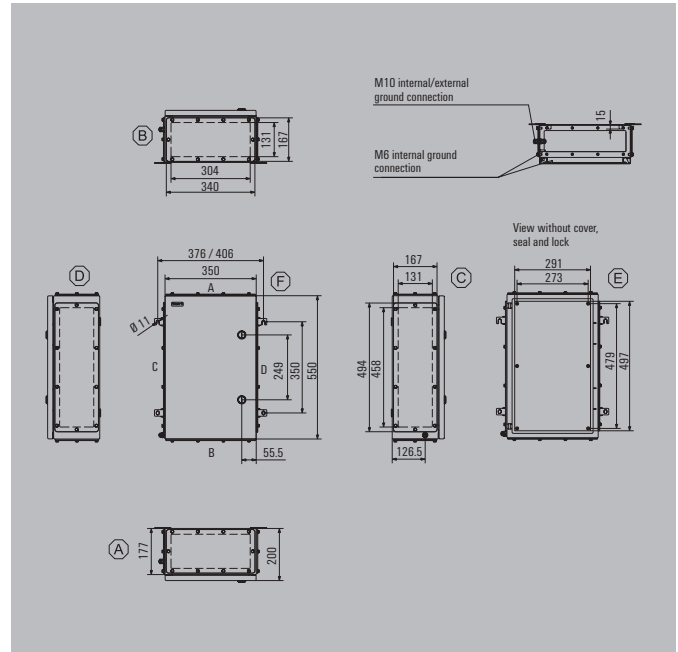
Ordering data

Stainless steel 1.4404 316L, electropolished	Order No.
1 gland plate - down	1200620000
2 gland plates - positioned at top and bottom (A & B)	1200630000
3 gland plates - positioned at bottom, left and right (B, C & D)	1200640000
4 gland plates - positioned at top, bottom, left and right (A, B, C & D)	1200650000

Note

Accessories

Mounting plates and fastening screws	Order No.
Steel sheet, zinc plated	1194010000
With hole pattern, sheet steel, galvanised	2022650000
Stainless steel 1.4301	1193880000
With hole pattern, natural stainless steel 1.4301	1257720000
Fastening screws for mounting plates	0642600000
Fastening screws for terminal rails	1274150000
Stainless steel spacer M6 x 8, Set of 4	
10 mm length	0935110000
15 mm length	0935120000
20 mm length	0935130000
30 mm length	0935140000
Gland plates - 3 mm with M6 earth studs	
Top and bottom sides (A & B), electropolished stainless steel 1.4404	2023740000
Left and right sides (C & D), electropolished stainless steel 1.4404	2023790000
Gland plates and screws - 6 mm	
Top and bottom sides (A & B), electropolished stainless steel 1.4404	1256590000
Left and right sides (C & D), electropolished stainless steel 1.4404	1256610000
Mounting screw, stainless steel 1.4404	1253230000
Rain hoods	
Stainless steel 1.4301, mirror-polished	1281500000
Stainless steel 1.4404, electro-polished	1314250000
Label holder	
70 x 70 angled stainless steel 1.4301	1279320000
130x50 stainless steel 1.4301	1283450000
100x25 stainless steel 1.4301	1257640000
Document holder	
For DIN A6 size documents	1252780000
For DIN A5 size documents	1252750000
Set of fixings*	
For label holders, rain hoods and document holders (rivet)	1252190000
For plastic (Trafolyte), identification plate (screw)	1285200000
Earthing stud	
Stainless steel 1.4404, M10	1192690000
Note	* packing unit (PU) = 20 pcs., sufficient for 10 fixtures



Max. number of terminals (industry)

Max. number of terminals (industry)	vertical	horizontal
2.5 mm ²	2x91	4x52
4 mm ²	2x76	4x43
6 mm ²	2x58	4x32
10 mm ²	2x46	3x26
16 mm ²	1x39	3x22
35 mm ²	1x29	2x16

Note

*For enclosure versions with zero, one or two gland plates, the horizontal gap between the mounting feet is reduced by 30 mm. Assembly with terminal blocks provides for 10 mm clearance to the ends of the mounting rail. Recommended order: TS 35 mounting rail (screw terminal) WDU 2.5 1020000000 / (tension clamp terminal) ZDU 2.5 1608510000 / (tension clamp terminal) PDU 2.5 1896110000 TS 32 mounting rail (screw terminal) SAK 2.5 0279660000 TS 15 mounting rail (screw terminal) AKZ 2.5 0697160000

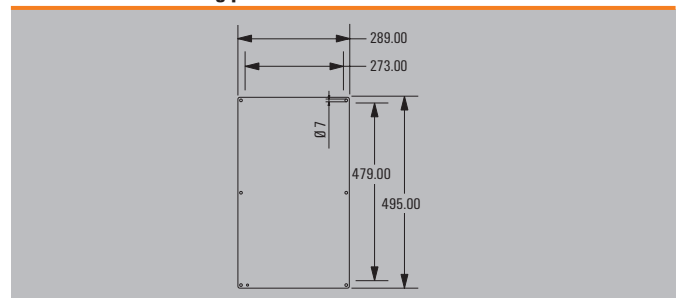
Number of cable entries

Number of cable entries	A / B	C / D
M12	45	70
M16	30	48
M20	20	30
M25	17	26
M32	9	14
M40	7	12
M50	3	5
M63	3	4
M75	2	3

Note

Our IP 68 brass cable glands serve as a reference for these recommended values.

Dimensions of mounting plate





Height / Width / Depth 620 / 450 / 150 mm

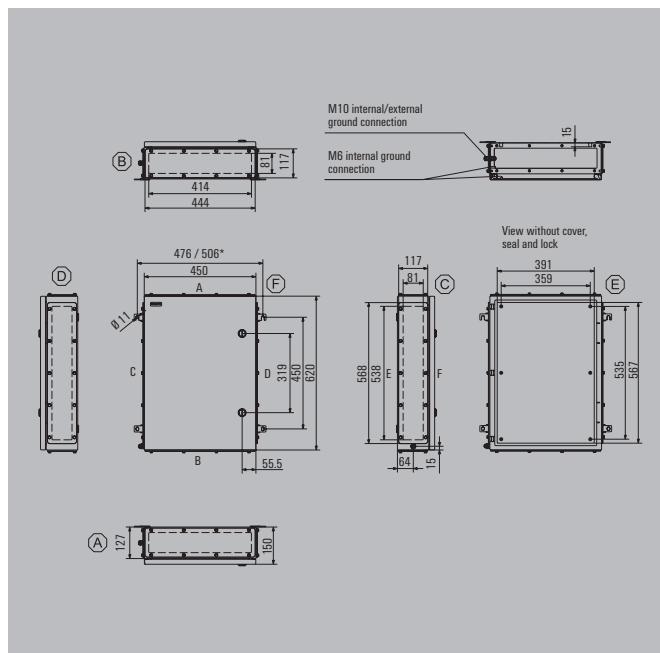
Ordering data

Stainless steel 1.4404 316L, electropolished	Order No.
1 gland plate - down	1200670000
2 gland plates - positioned at top and bottom (A & B)	1200680000
3 gland plates - positioned at bottom, left and right (B, C & D)	1200690000
4 gland plates - positioned at top, bottom, left and right (A, B, C & D)	1200710000

Note

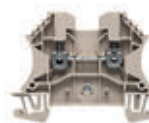
Accessories

Mounting plates and fastening screws	Order No.
Steel sheet, zinc plated	1194020000
With hole pattern, sheet steel, galvanised	2022670000
Stainless steel 1.4301	1193890000
With hole pattern, natural stainless steel 1.4301	1257740000
Fastening screws for mounting plates	0642600000
Fastening screws for terminal rails	1274150000
Stainless steel spacer M6 x 8, Set of 4	
10 mm length	0935110000
15 mm length	0935120000
20 mm length	0935130000
30 mm length	0935140000
Gland plates - 3 mm with M6 earth studs	
Top and bottom sides (A & B), electropolished stainless steel 1.4404	2023820000
Left and right sides (C & D), electropolished stainless steel 1.4404	2023870000
Gland plates and screws - 6 mm	
Top and bottom sides (A & B), electropolished stainless steel 1.4404	1256620000
Left and right sides (C & D), electropolished stainless steel 1.4404	1256630000
Mounting screw, stainless steel 1.4404	1253230000
Rain hoods	
Stainless steel 1.4301, mirror-polished	1281510000
Stainless steel 1.4404, electro-polished	1314270000
Label holder	
70 x 70 angled stainless steel 1.4301	1279320000
130x50 stainless steel 1.4301	1283450000
100x25 stainless steel 1.4301	1257640000
Document holder	
For DIN A6 size documents	1252780000
For DIN A5 size documents	1252750000
For DIN A4 size documents	1252730000
Set of fixings*	
For label holders, rain hoods and document holders (rivet)	1252190000
For plastic (Trafolyte), identification plate (screw)	1285200000
Earthing stud	
Stainless steel 1.4404, M10	1192690000
Note * packing unit (PU) = 20 pcs., sufficient for 10 fixtures	



Max. number of terminals (industry)

Max. number of terminals (industry)	vertical	horizontal
2.5 mm ²	3x105	5x71
4 mm ²	3x88	5x59
6 mm ²	3x66	4x45
10 mm ²	2x53	4x36
16 mm ²	2x44	3x30
35 mm ²	1x33	2x22



Note

*For enclosure versions with zero, one or two gland plates, the horizontal gap between the mounting feet is reduced by 30 mm. Assembly with terminal blocks provides for 10 mm clearance to the ends of the mounting rail. Recommended order: TS 35 mounting rail (screw terminal) WDU 2.5 1020000000 / (tension clamp terminal) ZDU 2.5 1608510000 / (tension clamp terminal) PDU 2.5 1896110000 TS 32 mounting rail (screw terminal) SAK 2.5 0279660000 TS 15 mounting rail (screw terminal) AKZ 2.5 0697160000

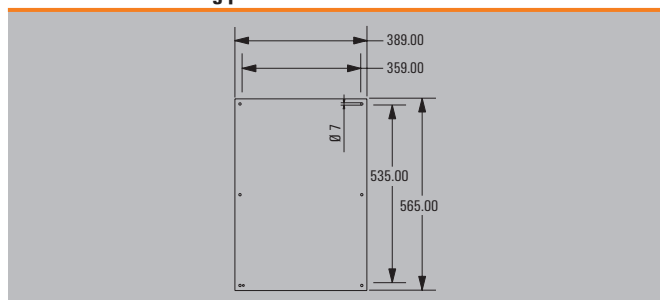
Number of cable entries

Number of cable entries	A / B	C / D
M12	38	48
M16	21	27
M20	18	24
M25	8	10
M32	6	9
M40	5	7
M50	4	6
M63	0	0
M75	0	0

Note

Our IP 68 brass cable glands are used as the reference for these guideline values.

Dimensions of mounting plate





Height / Width / Depth 620 / 450 / 200 mm

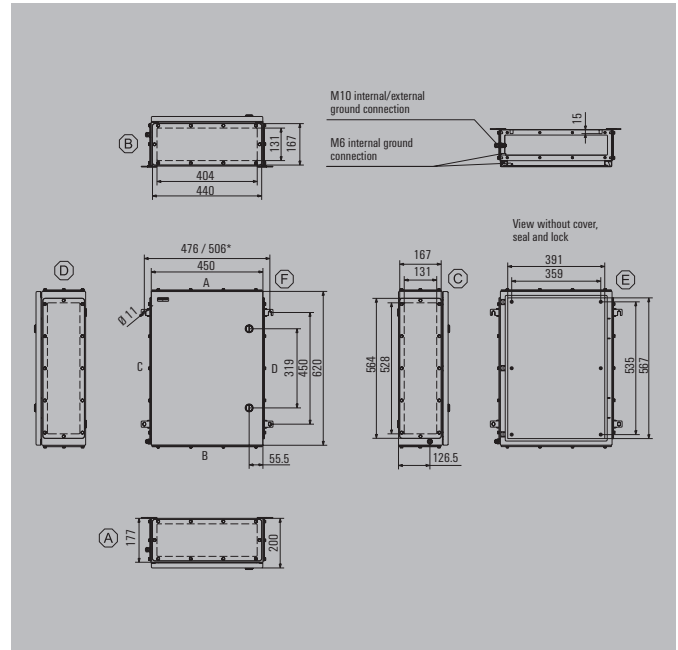
Ordering data

Stainless steel 1.4404 316L, electropolished	Order No.
1 gland plate - down	1200730000
2 gland plates - positioned at top and bottom (A & B)	1200740000
3 gland plates - positioned at bottom, left and right (B, C & D)	1200750000
4 gland plates - positioned at top, bottom, left and right (A, B, C & D)	1200760000

Note

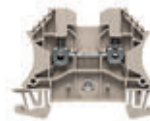
Accessories

Mounting plates and fastening screws	Order No.
Steel sheet, zinc plated	1194020000
With hole pattern, sheet steel, galvanised	2022670000
Stainless steel 1.4301	1193890000
With hole pattern, natural stainless steel 1.4301	1257740000
Fastening screws for mounting plates	0642600000
Fastening screws for terminal rails	1274150000
Stainless steel spacer M6 x 8, Set of 4	
10 mm length	0935110000
15 mm length	0935120000
20 mm length	0935130000
30 mm length	0935140000
Gland plates - 3 mm with M6 earth studs	
Top and bottom sides (A & B), electropolished stainless steel 1.4404	2023880000
Left and right sides (C & D), electropolished stainless steel 1.4404	2023930000
Gland plates and screws - 6 mm	
Top and bottom sides (A & B), electropolished stainless steel 1.4404	1256640000
Left and right sides (C & D), electropolished stainless steel 1.4404	1256650000
Mounting screw, stainless steel 1.4404	1253230000
Rain hoods	
Stainless steel 1.4301, mirror-polished	1281520000
Stainless steel 1.4404, electro-polished	1314280000
Label holder	
70 x 70 angled stainless steel 1.4301	1279320000
130x50 stainless steel 1.4301	1283450000
100x25 stainless steel 1.4301	1257640000
Document holder	
For DIN A6 size documents	1252780000
For DIN A5 size documents	1252750000
For DIN A4 size documents	1252730000
Set of fixings*	
For label holders, rain hoods and document holders (rivet)	1252190000
For plastic (Trafolyte), identification plate (screw)	1285200000
Earthing stud	
Stainless steel 1.4404, M10	1192690000
Note	* packing unit (PU) = 20 pcs., sufficient for 10 fixtures



Max. number of terminals (industry)

Max. number of terminals (industry)	vertical	horizontal
2.5 mm ²	3x105	5x71
4 mm ²	3x88	5x59
6 mm ²	3x66	4x45
10 mm ²	2x53	4x36
16 mm ²	2x44	3x30
35 mm ²	1x33	2x22



Note

*For enclosure versions with zero, one or two gland plates, the horizontal gap between the mounting feet is reduced by 30 mm. Assembly with terminal blocks provides for 10 mm clearance to the ends of the mounting rail. Recommended order: TS 35 mounting rail (screw terminal) WDU 2.5 1020000000 / (tension clamp terminal) ZDU 2.5 1608510000 / (tension clamp terminal) PDU 2.5 1896110000 TS 32 mounting rail (screw terminal) SAK 2.5 0279660000 TS 15 mounting rail (screw terminal) AKZ 2.5 0697160000

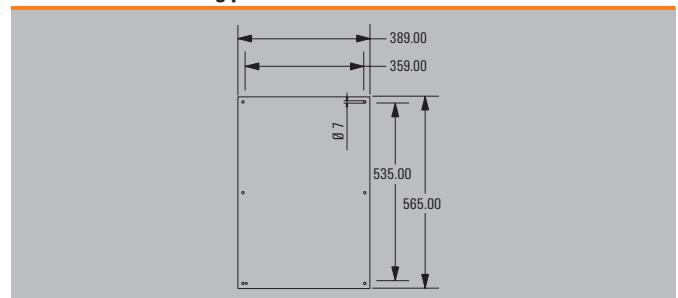
Number of cable entries

Number of cable entries	A / B	C / D
M12	63	80
M16	42	54
M20	27	36
M25	23	30
M32	12	17
M40	10	14
M50	4	6
M63	4	5
M75	3	4

Note

Our IP 68 brass cable glands serve as a reference for these recommended values.

Dimensions of mounting plate





Height / Width / Depth 762 / 508 / 150 mm

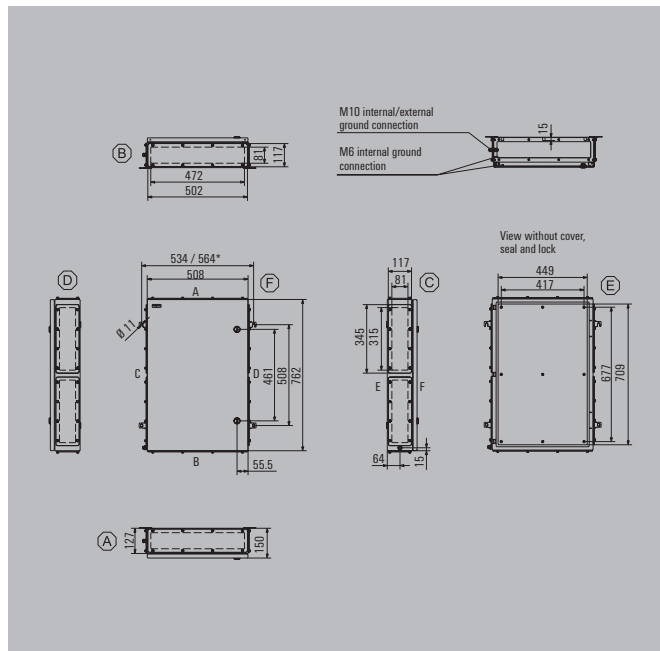
Ordering data

Stainless steel 1.4404 316L, electropolished	Order No.
1 gland plate - down	1200780000
2 gland plates - positioned at top and bottom (A & B)	1200790000
3 gland plates - positioned at bottom, left and right (B, C & D)	1200810000
4 gland plates - positioned at top, bottom, left and right (A, B, C & D)	1200820000

Note

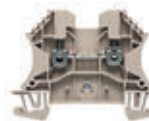
Accessories

Mounting plates and fastening screws	Order No.
Steel sheet, zinc plated	1194030000
With hole pattern, sheet steel, galvanised	2022680000
Stainless steel 1.4301	1193900000
With hole pattern, natural stainless steel 1.4301	1257750000
Fastening screws for mounting plates	0642600000
Fastening screws for terminal rails	1274150000
Stainless steel spacer M6 x 8, Set of 4	
10 mm length	0935110000
15 mm length	0935120000
20 mm length	0935130000
30 mm length	0935140000
Gland plates - 3 mm with M6 earth studs	
Top and bottom sides (A & B), electropolished stainless steel 1.4404	2024040000
Left and right sides (C & D), electropolished stainless steel 1.4404	2024090000
Gland plates and screws - 6 mm	
Top and bottom sides (A & B), electropolished stainless steel 1.4404	1256660000
Left and right sides (C & D), electropolished stainless steel 1.4404	1256670000
Mounting screw, stainless steel 1.4404	1253230000
Rain hoods	
Stainless steel 1.4301, mirror-polished	1281530000
Stainless steel 1.4404, electro-polished	1314290000
Label holder	
70 x 70 angled stainless steel 1.4301	1279320000
130x50 stainless steel 1.4301	1283450000
100x25 stainless steel 1.4301	1257640000
Document holder	
For DIN A6 size documents	1252780000
For DIN A5 size documents	1252750000
For DIN A4 size documents	1252730000
Set of fixings*	
For label holders, rain hoods and document holders (rivet)	1252190000
For plastic (Trafolyte), identification plate (screw)	1285200000
Earthing stud	
Stainless steel 1.4404, M10	1192690000
Note	* packing unit (PU) = 20 pcs., sufficient for 10 fixtures



Max. number of terminals (industry)

Max. number of terminals (industry)	vertical	horizontal
2.5 mm ²	4x132	7x82
4 mm ²	4x111	6x69
6 mm ²	3x83	5x52
10 mm ²	3x67	5x42
16 mm ²	2x56	4x35
35 mm ²	2x42	3x26



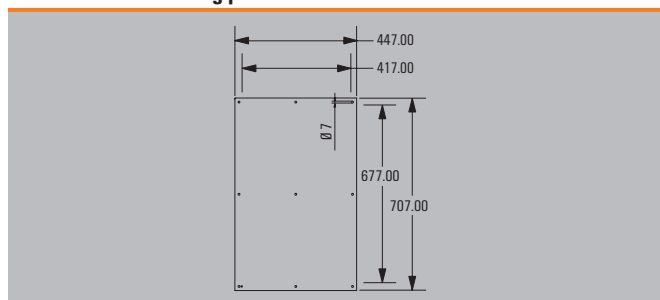
Note *For enclosure versions with zero, one or two gland plates, the horizontal gap between the mounting feet is reduced by 30 mm. Assembly with terminal blocks provides for 10 mm clearance to the ends of the mounting rail. Recommended order: TS 35 mounting rail (screw terminal) WDU 2.5 1020000000 / (tension clamp terminal) ZDU 2.5 1608510000 / (tension clamp terminal) PDU 2.5 1896110000 TS 32 mounting rail (screw terminal) SAK 2.5 0279660000 TS 15 mounting rail (screw terminal) AKZ 2.5 0697160000

Number of cable entries

Number of cable entries	A / B	C / D
M12	42	58
M16	24	32
M20	21	26
M25	9	12
M32	7	10
M40	6	8
M50	5	6
M63	0	0
M75	0	0

Note Our IP 68 brass cable glands serve as a reference for these recommended values.

Dimensions of mounting plate





Height / Width / Depth 762 / 508 / 200 mm

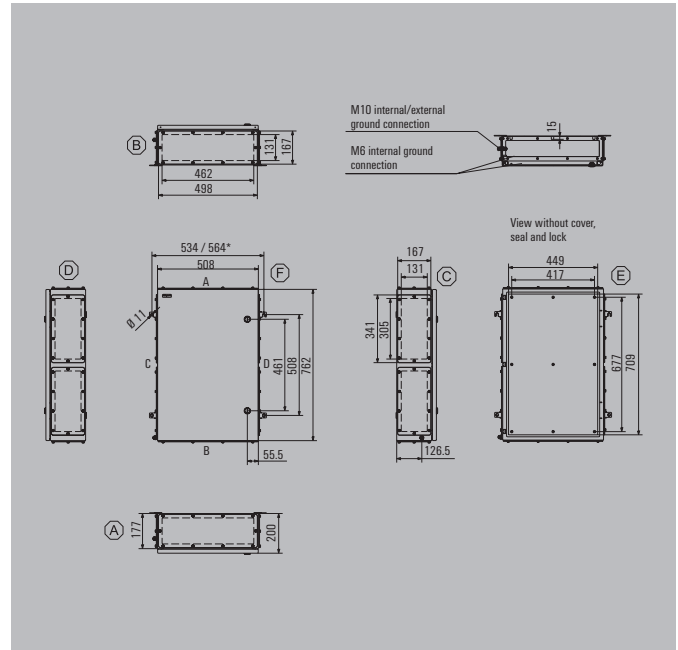
Ordering data

Stainless steel 1.4404 316L, electropolished	Order No.
1 gland plate - down	1200840000
2 gland plates - positioned at top and bottom (A & B)	1200850000
3 gland plates - positioned at bottom, left and right (B, C & D)	1200860000
4 gland plates - positioned at top, bottom, left and right (A, B, C & D)	1200870000

Note

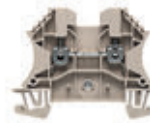
Accessories

Mounting plates and fastening screws	Order No.
Steel sheet, zinc plated	1194030000
With hole pattern, sheet steel, galvanised	2022680000
Stainless steel 1.4301	1193900000
With hole pattern, natural stainless steel 1.4301	1257750000
Fastening screws for mounting plates	0642600000
Fastening screws for terminal rails	1274150000
Stainless steel spacer M6 x 8, Set of 4	
10 mm length	0935110000
15 mm length	0935120000
20 mm length	0935130000
30 mm length	0935140000
Gland plates - 3 mm with M6 earth studs	
Top and bottom sides (A & B), electropolished stainless steel 1.4404	2024100000
Left and right sides (C & D), electropolished stainless steel 1.4404	2024140000
Gland plates and screws - 6 mm	
Top and bottom sides (A & B), electropolished stainless steel 1.4404	1256680000
Left and right sides (C & D), electropolished stainless steel 1.4404	1256690000
Mounting screw, stainless steel 1.4404	1253230000
Rain hoods	
Stainless steel 1.4301, mirror-polished	1281540000
Stainless steel 1.4404, electro-polished	1314300000
Label holder	
70 x 70 angled stainless steel 1.4301	1279320000
130x50 stainless steel 1.4301	1283450000
100x25 stainless steel 1.4301	1257640000
Document holder	
For DIN A6 size documents	1252780000
For DIN A5 size documents	1252750000
For DIN A4 size documents	1252730000
Set of fixings*	
For label holders, rain hoods and document holders (rivet)	1252190000
For plastic (Trafolyte), identification plate (screw)	1285200000
Earthing stud	
Stainless steel 1.4404, M10	1192690000
Note	* packing unit (PU) = 20 pcs., sufficient for 10 fixtures



Max. number of terminals (industry)

Max. number of terminals (industry)	vertical	horizontal
2.5 mm ²	4x132	7x82
4 mm ²	4x111	6x69
6 mm ²	3x83	5x52
10 mm ²	3x67	5x42
16 mm ²	2x56	4x35
35 mm ²	2x42	3x26



Note

*For enclosure versions with zero, one or two gland plates, the horizontal gap between the mounting feet is reduced by 30 mm. Assembly with terminal blocks provides for 10 mm clearance to the ends of the mounting rail. Recommended order: TS 35 mounting rail (screw terminal) WDU 2.5 1020000000 / (tension clamp terminal) ZDU 2.5 1608510000 / (tension clamp terminal) PDU 2.5 1896110000 TS 32 mounting rail (screw terminal) SAK 2.5 0279660000 TS 15 mounting rail (screw terminal) AKZ 2.5 0697160000

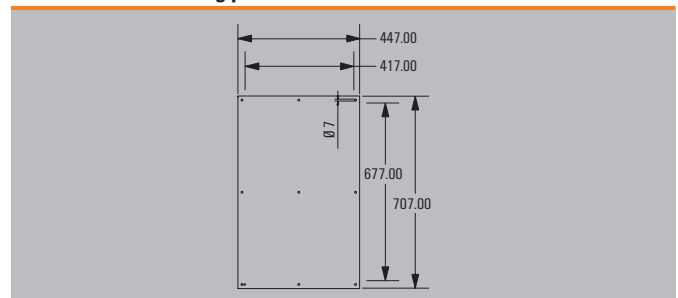
Number of cable entries

Number of cable entries	A / B	C / D
M12	70	96
M16	48	64
M20	32	40
M25	26	34
M32	14	18
M40	12	14
M50	5	6
M63	4	6
M75	3	4

Note

Our IP 68 brass cable glands are used as the reference for these guideline values.

Dimensions of mounting plate





Height / Width / Depth 914 / 610 / 150 mm

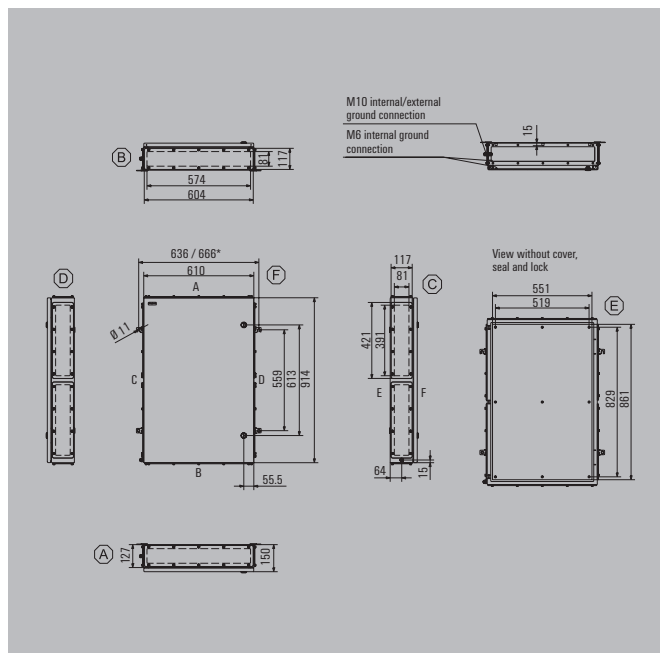
Ordering data

Stainless steel 1.4404 316L, electropolished	Order No.
1 gland plate - down	1200890000
2 gland plates - positioned at top and bottom (A & B)	1200910000
3 gland plates - positioned at bottom, left and right (B, C & D)	1200920000
4 gland plates - positioned at top, bottom, left and right (A, B, C & D)	1200930000

Note

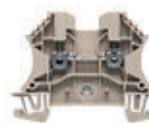
Accessories

Mounting plates and fastening screws	Order No.
Steel sheet, zinc plated	1194040000
With hole pattern, sheet steel, galvanised	2022740000
Stainless steel 1.4301	1193910000
With hole pattern, natural stainless steel 1.4301	1257760000
Fastening screws for mounting plates	0642600000
Fastening screws for terminal rails	1274150000
Stainless steel spacer M6 x 8, Set of 4	
10 mm length	0935110000
15 mm length	0935120000
20 mm length	0935130000
30 mm length	0935140000
Gland plates - 3 mm with M6 earth studs	
Top and bottom sides (A & B), electropolished stainless steel 1.4404	2024150000
Left and right sides (C & D), electropolished stainless steel 1.4404	2024300000
Gland plates and screws - 6 mm	
Top and bottom sides (A & B), electropolished stainless steel 1.4404	1256710000
Left and right sides (C & D), electropolished stainless steel 1.4404	1256720000
Mounting screw, stainless steel 1.4404	1253230000
Rain hoods	
Stainless steel 1.4301, mirror-polished	1281550000
Stainless steel 1.4404, electro-polished	1314320000
Label holder	
70 x 70 angled stainless steel 1.4301	1279320000
130x50 stainless steel 1.4301	1283450000
100x25 stainless steel 1.4301	1257640000
Document holder	
For DIN A6 size documents	1252780000
For DIN A5 size documents	1252750000
For DIN A4 size documents	1252730000
Set of fixings*	
For label holders, rain hoods and document holders (rivet)	1252190000
For plastic (Trafolyte), identification plate (screw)	1285200000
Earthing stud	
Stainless steel 1.4404, M10	1192690000
Note	* packing unit (PU) = 20 pcs., sufficient for 10 fixtures



Max. number of terminals (industry)

Max. number of terminals (industry)	vertical	horizontal
2.5 mm ²	5x161	8x102
4 mm ²	4x135	7x85
6 mm ²	4x102	7x64
10 mm ²	3x82	6x52
16 mm ²	3x68	5x43
35 mm ²	2x51	4x32



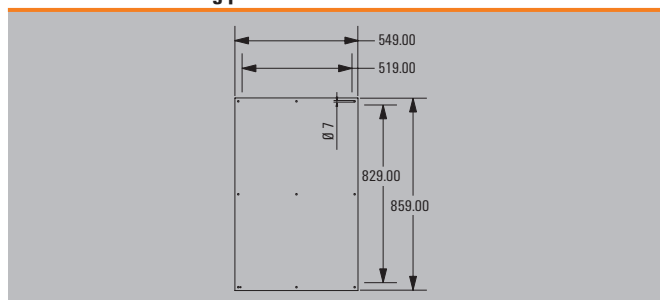
Note *For enclosure versions with zero, one or two gland plates, the horizontal gap between the mounting feet is reduced by 30 mm. Assembly with terminal blocks provides for 10 mm clearance to the ends of the mounting rail. Recommended order: TS 35 mounting rail (screw terminal) WDU 2.5 1020000000 / (tension clamp terminal) ZDU 2.5 1608510000 / (tension clamp terminal) PDU 2.5 1896110000 TS 32 mounting rail (screw terminal) SAK 2.5 0279660000 TS 15 mounting rail (screw terminal) AKZ 2.5 0697160000

Number of cable entries

Number of cable entries	A / B	C / D
M12	53	70
M16	29	40
M20	25	34
M25	11	14
M32	9	12
M40	8	10
M50	6	8
M63	0	0
M75	0	0

Note Our IP 68 brass cable glands are used as the reference for these guideline values.

Dimensions of mounting plate



Klippon® TB QL 916120

Depth 200 mm



Height / Width / Depth 914 / 610 / 200 mm

Ordering data

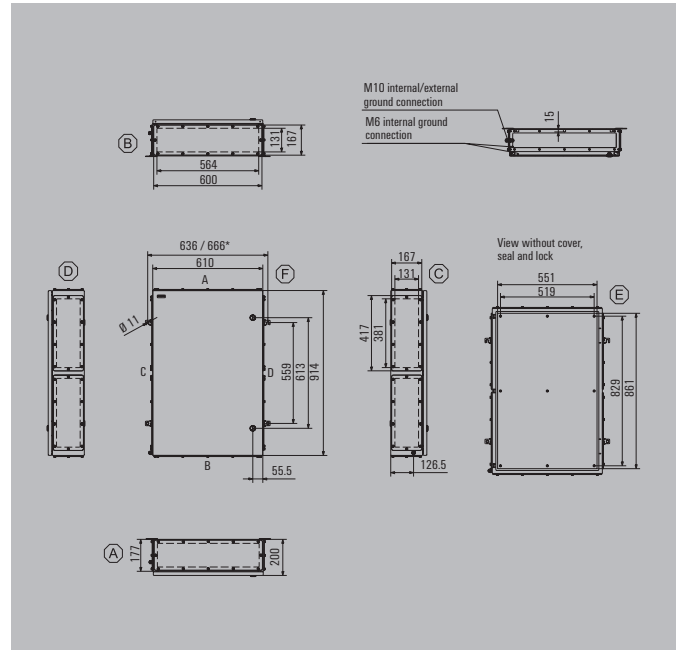
Stainless steel 1.4404 316L, electropolished	Order No.
1 gland plate - down	1200950000
2 gland plates - positioned at top and bottom (A & B)	1200960000
3 gland plates - positioned at bottom, left and right (B, C & D)	1200970000
4 gland plates - positioned at top, bottom, left and right (A, B, C & D)	1200980000

Note

Accessories

Mounting plates and fastening screws	Order No.
Steel sheet, zinc plated	1194040000
With hole pattern, sheet steel, galvanised	2022740000
Stainless steel 1.4301	1193910000
With hole pattern, natural stainless steel 1.4301	1257760000
Fastening screws for mounting plates	0642600000
Fastening screws for terminal rails	1274150000
Stainless steel spacer M6 x 8, Set of 4	
10 mm length	0935110000
15 mm length	0935120000
20 mm length	0935130000
30 mm length	0935140000
Gland plates - 3 mm with M6 earth studs	
Top and bottom sides (A & B), electropolished stainless steel 1.4404	2024470000
Left and right sides (C & D), electropolished stainless steel 1.4404	2024490000
Gland plates and screws - 6 mm	
Top and bottom sides (A & B), electropolished stainless steel 1.4404	1256730000
Left and right sides (C & D), electropolished stainless steel 1.4404	1256740000
Mounting screw, stainless steel 1.4404	1253230000
Rain hoods	
Stainless steel 1.4301, mirror-polished	1281570000
Stainless steel 1.4404, electro-polished	1314330000
Label holder	
70 x 70 angled stainless steel 1.4301	1279320000
130x50 stainless steel 1.4301	1283450000
100x25 stainless steel 1.4301	1257640000
Document holder	
For DIN A6 size documents	1252780000
For DIN A5 size documents	1252750000
For DIN A4 size documents	1252730000
Set of fixings*	
For label holders, rain hoods and document holders (rivet)	1252190000
For plastic (Trafolyte), identification plate (screw)	1285200000
Earthing stud	
Stainless steel 1.4404, M10	1192690000

Note * packing unit (PU) = 20 pcs., sufficient for 10 fixtures



Max. number of terminals (industry)

Max. number of terminals (industry)	vertical	horizontal
2.5 mm ²	5x161	8x102
4 mm ²	4x135	7x85
6 mm ²	4x102	7x64
10 mm ²	3x82	6x52
16 mm ²	3x68	5x43
35 mm ²	2x51	4x32

Note

*For enclosure versions with zero, one or two gland plates, the horizontal gap between the mounting feet is reduced by 30 mm. Assembly with terminal blocks provides for 10 mm clearance to the ends of the mounting rail. Recommended order: TS 35 mounting rail (screw terminal) WDU 2.5 1020000000 / (tension clamp terminal) ZDU 2.5 1608510000 / (tension clamp terminal) PDU 2.5 1896110000 TS 32 mounting rail (screw terminal) SAK 2.5 0279660000 TS 15 mounting rail (screw terminal) AKZ 2.5 0697160000

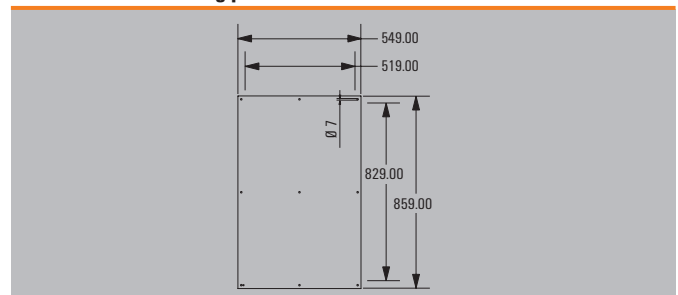
Number of cable entries

Number of cable entries	A / B	C / D
M12	88	116
M16	58	80
M20	38	52
M25	33	42
M32	18	24
M40	15	20
M50	6	8
M63	5	6
M75	4	6

Note

Our IP 68 brass cable glands serve as a reference for these recommended values.

Dimensions of mounting plate





Height / Width / Depth 980 / 740 / 200 mm

Ordering data

Stainless steel 1.4404 316L, electropolished		Order No.
1 gland plate - down		1201010000
2 gland plates - positioned at top and bottom (A & B)		1201020000
3 gland plates - positioned at bottom, left and right (B, C & D)		1201030000
4 gland plates - positioned at top, bottom, left and right (A, B, C & D)		1201040000

Note

Accessories

Mounting plates and fastening screws		Order No.
Steel sheet, zinc plated		1194050000
With hole pattern, sheet steel, galvanised		2022760000
Stainless steel 1.4301		1193920000
With hole pattern, natural stainless steel 1.4301		1257770000
Fastening screws for mounting plates		0642600000
Fastening screws for terminal rails		1274150000

Stainless steel spacer M6 x 8, Set of 4		Order No.
10 mm length		0935110000
15 mm length		0935120000
20 mm length		0935130000
30 mm length		0935140000

Gland plates - 3 mm with M6 earth studs		Order No.
Top and bottom sides (A & B), electropolished stainless steel 1.4404		2024560000
Left and right sides (C & D), electropolished stainless steel 1.4404		2024590000

Gland plates and screws - 6 mm		Order No.
Top and bottom sides (A & B), electropolished stainless steel 1.4404		1256750000
Left and right sides (C & D), electropolished stainless steel 1.4404		1256760000
Mounting screw, stainless steel 1.4404		1253230000

Rain hoods		Order No.
Stainless steel 1.4301, mirror-polished		1281580000
Stainless steel 1.4404, electro-polished		1314340000

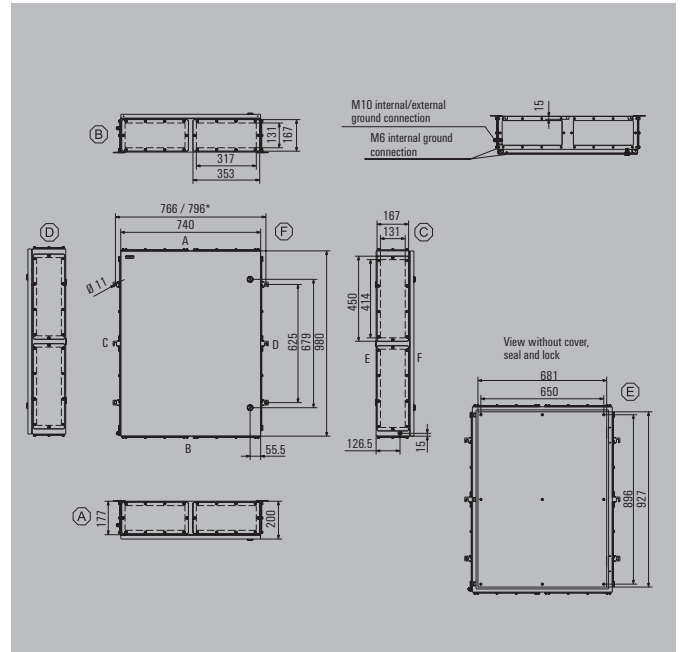
Label holder		Order No.
70 x 70 angled stainless steel 1.4301		1279320000
130x50 stainless steel 1.4301		1283450000
100x25 stainless steel 1.4301		1257640000

Document holder		Order No.
For DIN A6 size documents		1252780000
For DIN A5 size documents		1252750000
For DIN A4 size documents		1252730000

Set of fixings*		Order No.
For label holders, rain hoods and document holders (rivet)		1252190000
For plastic (Trafolyte), identification plate (screw)		1285200000

Earthing stud		Order No.
Stainless steel 1.4404, M10		1192690000

Note * packing unit (PU) = 20 pcs., sufficient for 10 fixtures



Max. number of terminals (industry)

Max. number of terminals (industry)	vertical	horizontal
2.5 mm ²	6x174	9x127
4 mm ²	6x146	8x106
6 mm ²	5x110	7x80
10 mm ²	4x88	6x64
16 mm ²	4x74	5x54
35 mm ²	3x55	4x40

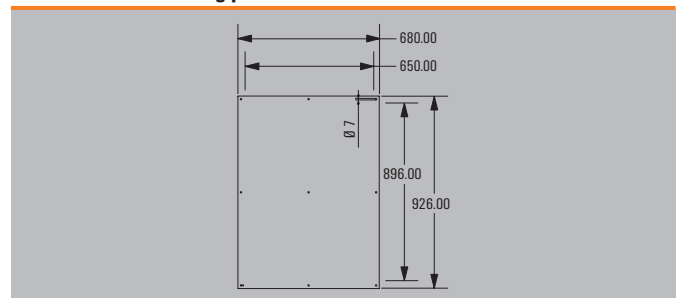
Note *For enclosure versions with zero, one or two gland plates, the horizontal gap between the mounting feet is reduced by 30 mm. Assembly with terminal blocks provides for 10 mm clearance to the ends of the mounting rail. Recommended order: TS 35 mounting rail (screw terminal) WDU 2.5 1020000000 / (tension clamp terminal) ZDU 2.5 1608510000 / (tension clamp terminal) PDU 2.5 1896110000 TS 32 mounting rail (screw terminal) SAK 2.5 0279660000 TS 15 mounting rail (screw terminal) AKZ 2.5 0697160000

Number of cable entries

Number of cable entries	A / B	C / D
M12	96	126
M16	64	84
M20	42	54
M25	36	48
M32	20	26
M40	16	22
M50	6	10
M63	6	8
M75	4	6

Note Our IP 68 brass cable glands serve as a reference for these recommended values.

Dimensions of mounting plate



Klippon® TBi electro polished, stainless steel enclosures

Protection for devices and control components in demanding industrial environments

C

Protect your components completely from dust, moisture, extreme temperatures and vibrations. Let's connect.

Even under moderate environmental conditions, there is an increasing need for complex, individual automation solutions. A harsh industrial environment places additional, strict demands on applications and determines the design of the industrial enclosures to meet these demands.

With complete protection and excellent durability, our Klippon® TBi stainless steel enclosures offer the best protection for the components inside them. Neither dirt nor moisture can penetrate them. Their electro-polished surface makes them extraordinarily resistant to corrosion.

We have used our in-depth understanding from years of practice in this field to develop standard enclosures to meet numerous industrial needs. However, we are always open to individual desires. Let's connect.

Clear design

You have the choice: the Klippon® TBi QL with a double-bit lock and hinged lid or the Klippon® TBi FS with a completely removable lid and fixing screws.



Adaptable mounting lugs

Supplied as an accessory, the flexible mounting fixing lugs provide either vertical or horizontal installation options.



International approvals

Every one of our enclosures is tested in accordance to EN 62208. We also meet industry-specific approvals, such as Germanischer Lloyd and cULus.



Electro polished for long-term protection

For enclosures installed in harsh environments, the electro-polished surfaces offer additional protection against corrosion.



Temperature and sealant properties

A neoprene gasket provides a secure seal for the enclosure and ensures performance in temperature ranges from -40 °C up to +85 °C .



Individual solutions

Whether minor modifications or specific designs – our application specialists at Weidmüller develop and create the ideal, customised solution for your needs.



Interior mounting

A dedicated mounting profile of the enclosure facilitates the flexible, simple and secure installation of mounting rails or mounting plates within the enclosure.



Additional benefits

Depending on the customer- or industry-specific application, our enclosures can be modified, in compliance with international standards and regulations, with various accessories such as terminals, electronics, viewing windows, markers, etc. and delivered worldwide.

Klippon® TBi QL - Quarter Lock

Stainless steel enclosures for use within harsh industrial environments

Even under moderate environmental conditions, there is an increasing need for complex, individual automated solutions. A harsh industrial environment places additional, heavy demands on applications and determines the design of the industrial enclosures to meet these demands. With complete protection and excellent durability, our Klippon® TBi stainless steel enclosures offer the best protection for the components inside them. Its electro-polished surface makes the enclosure extraordinarily resistant to corrosion.

- Available in 11 sizes and 2 depths
- Operating temperature range -40 °C to +85 °C
- Impact resistance of 10 J Industrial application
- Dedicated internal mounting support bracket for fixing terminal rail or mounting plates with self forming screws
- External Earth point - suitable for M6 threaded screw
- Concealed hinges
- Internal earth stud - M6 screw fitted to enclosure lid and base
- Supplied in 0 or 1 gland plate version
- Direct enclosure mounting is provided via the fixing positions placed into the rear of the enclosure
- Mounting feet in stainless steel are optionally available and can be rotated 90°
- Dust and moisture channel
- Double-bit locking system

Our assembly service can supply these enclosure preassembled with with terminal boxes, electronics and cable glands.



Overview of enclosures

Ordering data

Description	Height x width x depth in mm	0 Gland Plate	1 Gland Plate (below)
KTBi QL 302015 S2E_*	300 x 200 x 150	1197430000	1197440000
KTBi QL 303015 S2E_*	300 x 300 x 150	1197450000	1197460000
KTBi QL 303022 S2E_*	300 x 300 x 220	1197470000	1197480000
KTBi QL 403015 S2E_*	400 x 300 x 150	1197490000	1197500000
KTBi QL 403022 S2E_*	400 x 300 x 220	1197510000	1197520000
KTBi QL 404022 S2E_*	400 x 400 x 220	1197530000	1197540000
KTBi QL 504022 S2E_*	500 x 400 x 220	1197550000	1197560000
KTBi QL 505022 S2E_*	500 x 500 x 220	1197570000	1197580000
KTBi QL 604022 S2E_*	600 x 400 x 220	1197590000	1197600000
KTBi QL 606022 S2E_*	600 x 600 x 220	1197610000	1197620000
KTBi QL 806022 S2E_*	800 x 600 x 220	1197630000	1197640000

Note *Placeholder for the number of gland plates (0 or 1)

Technical Overview

Features

- Available in 11 sizes and 2 standard depths
- Welded mounting bracket for securing the mounting plate or mounting rail by means of self-tapping screws
- External earth - M6 earth tab rivet
- Concealed hinges
- M6 earthing bolt welded in the cover and base of the enclosure
- Available with 0 or 1 gland plates
- Optimised laser welding, high quality standard
- Direct mounting of the enclosure with rear mounting holes
- Mounting feet in stainless steel are optionally available, and can be rotated by 90°
- Moisture and dust channel
- Double-bit locking system
- Permanent labelling of items
- Multi-functional tool included
- Packaging optimally designed for enclosure

Note

Technical data

Material	Stainless steel 1.4301 (304) in 1.5 mm
Surface	Electroplished
IP protection class	IP 66 to DIN EN 60529
NEMA Rating	3, 4x, 5
Gland plates	1.5 mm thick stainless steel 1.4301 (304) flange plates, mounted with M6 screws, spanner size 10 mm
Earthing inside	Welded-on M6 stainless-steel earth stud in enclosure lid and base
Earthing outside	External earth position - suitable for M6 threaded screw
Installation mounting	Welded mounting bracket for flexible mounting of the mounting plate, rails or TAS 20 rails. They contain 4.51 mm drill holes for accommodating the mounting plate or TS/TAS by means of self-tapping screws (1274150000)
Enclosure attachment	Direct mounting (11 mm mounting holes on rear wall) or via mounting feet (optionally available), adjustable by 90°
Lid opening	125°
Lid fixing	Quarter lock with double bit
Impact resistance	IK09 (10J) to DIN EN 50102
Gasket material	Neoprene - CR
Operating temperature range	-40 °C ... +85 °C
Tightening torque of gland plates screws*	2.5 Nm
Note	*Please use our hexagon screwdriver with 10 mm size (9009070000)

Approvals for empty enclosures

Empty enclosure standard	DIN EN 62208
Germanischer Lloyd	20 593 - 11 HH
cULus	E243298
Note	For details of power dissipation, please contact your Weidmüller representative.



Height / Width / Depth 300 / 200 / 150 mm

Ordering data

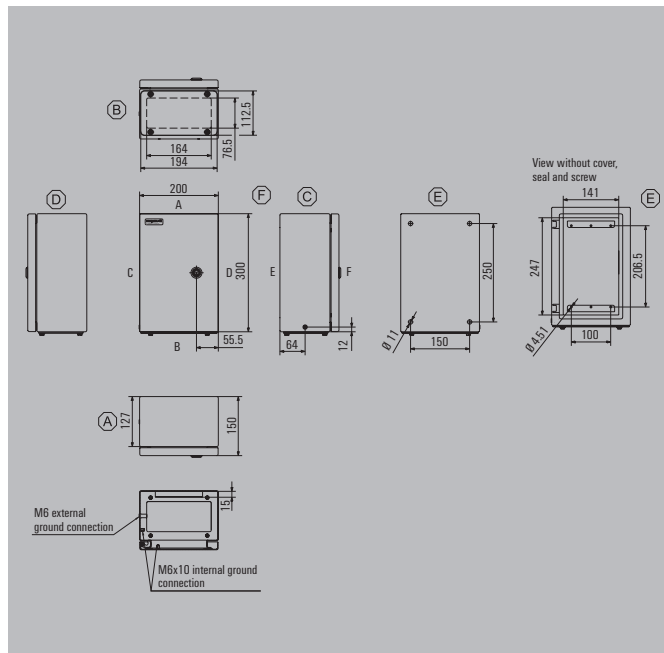
Stainless steel 1.4301 304, electropolished	Order No.
0 gland plates	1197430000
1 gland plate - positioned down (B)	1197440000

Note

Accessories

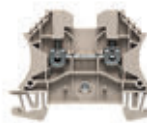
Mounting plates and fastening screws	Order No.
Steel sheet, zinc plated	1309690000
Stainless steel 1.4301	1309700000
Fastening screws for terminal rails	1274150000
Stainless steel spacer M6 x 8, Set of 4	
10 mm length	0935110000
15 mm length	0935120000
20 mm length	0935130000
30 mm length	0935140000
Mild steel nickel plated Spacer M6 x 8, set of 2	
15 mm length	3896100000
20 mm length	3896200000
30 mm length	3896300000
Mounting feet, set containing 4 pieces each	
Stainless steel 1.4301	1289180000
Lock inserts	
Slot	1191600000
Double-bit	1191590000
Compensating element	
Polyamide 6, M12	1868570000
Stainless steel 1.4305, M12	1868550000
Double-bit key	
	2473930000

Note



Max. number of terminals (industry)

Max. number of terminals (industry)	vertical	horizontal
2.5 mm ²	1x36	3x17
4 mm ²	1x30	3x14
6 mm ²	1x23	3x11
10 mm ²	1x18	3x9
16 mm ²	1x15	3x7
35 mm ²	1x11	3x5



Note The assembly with modular terminals gives consideration to a distance of 10 mm from the end of each mounting rail.
 Order recommendations:
 TS 35 mounting rail (screw terminal) WDU 2.5 1020000000 / (tension clamp terminal) ZDU 2.5 1608510000 / (tension clamp terminal) PDU 2.5 1896110000
 TS 32 mounting rail (screw terminal) SAK 2.5 0279660000
 TS 15 mounting rail (screw terminal) AKZ 2.5 0697160000

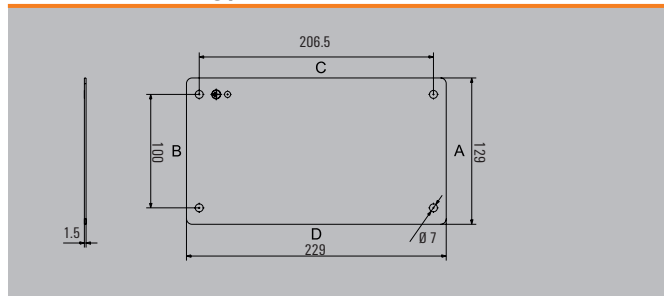
Number of cable entries

Number of cable entries	A / B	C / D
M12	14	
M16	7	
M20	6	
M25	3	
M32	2	
M40	2	
M50	1	
M63		
M75		



Note Our IP 68 brass cable glands are used as the reference for these guideline values.

Dimensions of mounting plate





Height / Width / Depth 300 / 300 / 150 mm

Ordering data

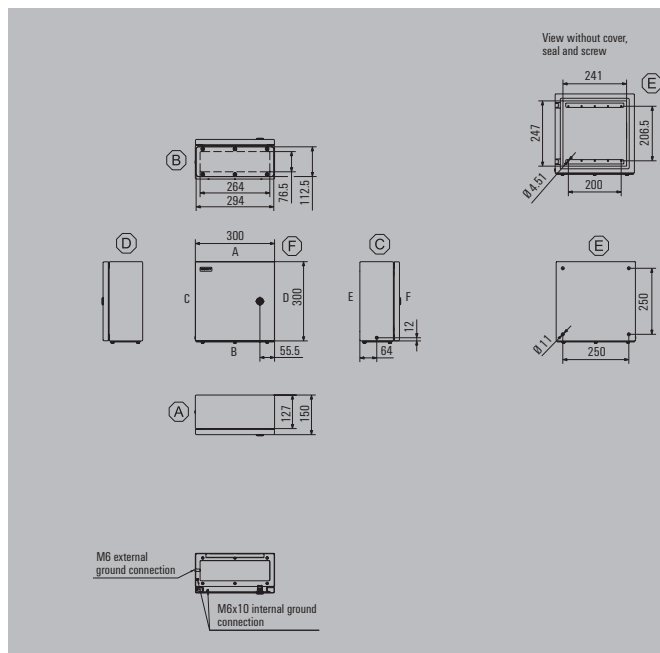
Stainless steel 1.4301 304, electropolished	Order No.
0 gland plates	1197450000
1 gland plate - positioned down (B)	1197460000

Note

Accessories

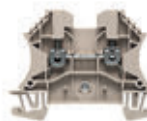
Mounting plates and fastening screws	Order No.
Steel sheet, zinc plated	1310410000
Stainless steel 1.4301	1310320000
Fastening screws for terminal rails	1274150000
Stainless steel spacer M6 x 8, Set of 4	
10 mm length	0935110000
15 mm length	0935120000
20 mm length	0935130000
30 mm length	0935140000
Mild steel nickel plated Spacer M6 x 8, set of 2	
15 mm length	3896100000
20 mm length	3896200000
30 mm length	3896300000
Mounting feet, set containing 4 pieces each	
Stainless steel 1.4301	1289180000
Lock inserts	
Slot	1191600000
Double-bit	1191590000
Compensating element	
Polyamide 6, M12	1868570000
Stainless steel 1.4305, M12	1868550000
Double-bit key	
	2473930000

Note



Max. number of terminals (industry)

Max. number of terminals (industry)	vertical	horizontal
2.5 mm ²	3x36	3x36
4 mm ²	3x30	3x30
6 mm ²	3x23	3x23
10 mm ²	3x18	3x18
16 mm ²	3x15	3x15
35 mm ²	3x11	3x11



Note The assembly with modular terminals gives consideration to a distance of 10 mm from the end of each mounting rail.
 Order recommendations:
 TS 35 mounting rail (screw terminal) WDU 2.5 1020000000 / (tension clamp terminal) ZDU 2.5 1608510000 / (tension clamp terminal) PDU 2.5 1896110000
 TS 32 mounting rail (screw terminal) SAK 2.5 0279660000
 TS 15 mounting rail (screw terminal) AKZ 2.5 0697160000

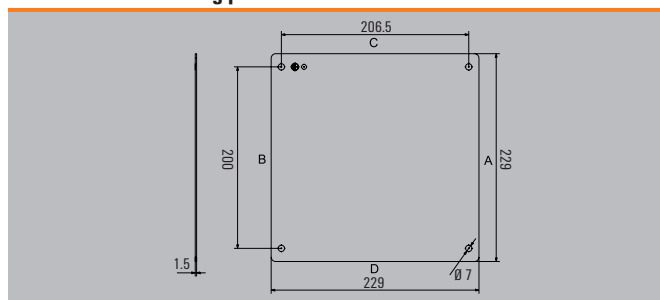
Number of cable entries

Number of cable entries	A / B	C / D
M12	23	
M16	13	
M20	11	
M25	5	
M32	4	
M40	3	
M50	3	
M63		
M75		



Note Our IP 68 brass cable glands are used as the reference for these guideline values.

Dimensions of mounting plate





Height / Width / Depth 300 / 300 / 220 mm

Ordering data

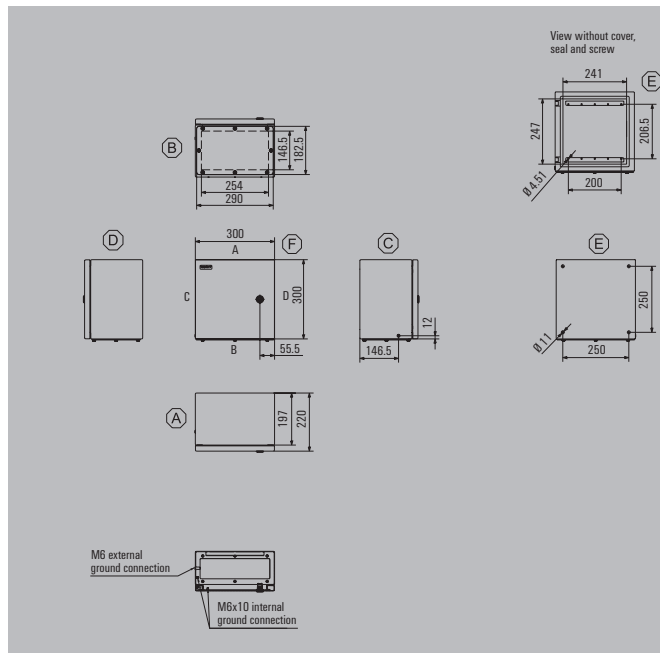
Stainless steel 1.4301 304, electropolished	Order No.
0 gland plates	1197470000
1 gland plate - positioned down (B)	1197480000

Note

Accessories

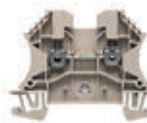
Mounting plates and fastening screws	Order No.
Steel sheet, zinc plated	1310410000
Stainless steel 1.4301	1310320000
Fastening screws for terminal rails	1274150000
Stainless steel spacer M6 x 8, Set of 4	
10 mm length	0935110000
15 mm length	0935120000
20 mm length	0935130000
30 mm length	0935140000
Mild steel nickel plated Spacer M6 x 8, set of 2	
15 mm length	3896100000
20 mm length	3896200000
30 mm length	3896300000
Mounting feet, set containing 4 pieces each	
Stainless steel 1.4301	1289180000
Lock inserts	
Slot	1191600000
Double-bit	1191590000
Compensating element	
Polyamide 6, M12	1868570000
Stainless steel 1.4305, M12	1868550000
Double-bit key	2473930000

Note



Max. number of terminals (industry)

Max. number of terminals (industry)	vertical	horizontal
2.5 mm ²	3x36	3x36
4 mm ²	3x30	3x30
6 mm ²	3x23	3x23
10 mm ²	3x18	3x18
16 mm ²	3x15	3x15
35 mm ²	3x11	3x11



Note

The assembly with modular terminals gives consideration to a distance of 10 mm from the end of each mounting rail.
 Order recommendations:
 TS 35 mounting rail (screw terminal) WDU 2.5 1020000000 / (tension clamp terminal) ZDU 2.5 1608510000 / (tension clamp terminal) PDU 2.5 1896110000
 TS 32 mounting rail (screw terminal) SAK 2.5 0279660000
 TS 15 mounting rail (screw terminal) AKZ 2.5 0697160000

Number of cable entries

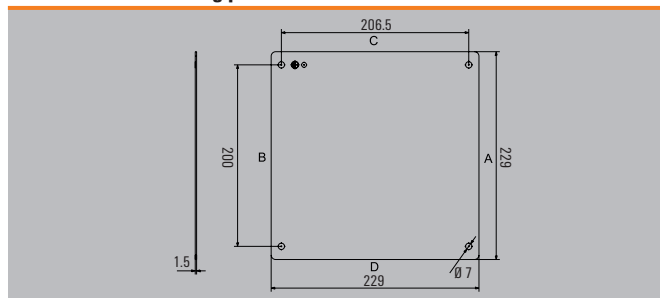
Number of cable entries	A / B	C / D
M12	38	
M16	26	
M20	22	
M25	14	
M32	7	
M40	6	
M50	3	
M63	2	
M75	2	



Note

Our IP 68 brass cable glands are used as the reference for these guideline values.

Dimensions of mounting plate





Height / Width / Depth 400 / 300 / 150 mm

Ordering data

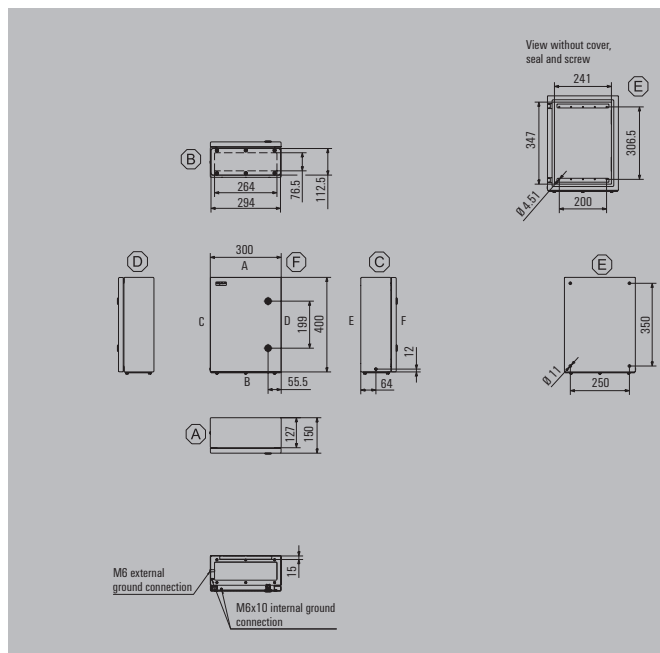
Stainless steel 1.4301 304, electropolished	Order No.
0 gland plates	1197490000
1 gland plate - positioned down (B)	1197500000

Note

Accessories

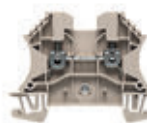
Mounting plates and fastening screws	Order No.
Steel sheet, zinc plated	1310420000
Stainless steel 1.4301	1310330000
Fastening screws for terminal rails	1274150000
Stainless steel spacer M6 x 8, Set of 4	
10 mm length	0935110000
15 mm length	0935120000
20 mm length	0935130000
30 mm length	0935140000
Mild steel nickel plated Spacer M6 x 8, set of 2	
15 mm length	3896100000
20 mm length	3896200000
30 mm length	3896300000
Mounting feet, set containing 4 pieces each	
Stainless steel 1.4301	1289180000
Lock inserts	
Slot	1191600000
Double-bit	1191590000
Compensating element	
Polyamide 6, M12	1868570000
Stainless steel 1.4305, M12	1868550000
Double-bit key	
	2473930000

Note



Max. number of terminals (industry)

Max. number of terminals (industry)	vertical	horizontal
2.5 mm ²	3x56	4x36
4 mm ²	3x47	4x30
6 mm ²	3x35	4x23
10 mm ²	3x28	4x18
16 mm ²	3x23	4x15
35 mm ²	3x18	4x11



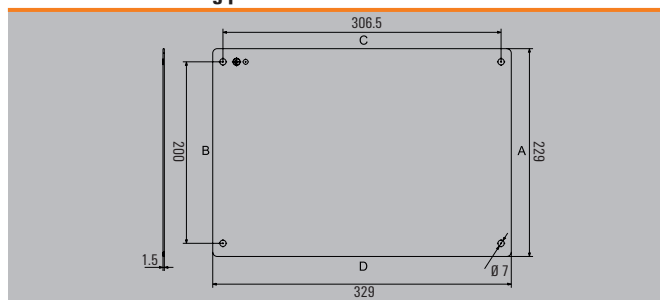
Note The assembly with modular terminals gives consideration to a distance of 10 mm from the end of each mounting rail.
 Order recommendations:
 TS 35 mounting rail (screw terminal) WDU 2.5 1020000000 / (tension clamp terminal) ZDU 2.5 1608510000 / (tension clamp terminal) PDU 2.5 1896110000
 TS 32 mounting rail (screw terminal) SAK 2.5 0279660000
 TS 15 mounting rail (screw terminal) AKZ 2.5 0697160000

Number of cable entries

Number of cable entries	A / B	C / D
M12	23	
M16	13	
M20	11	
M25	5	
M32	4	
M40	3	
M50	3	
M63		
M75		

Note Our IP 68 brass cable glands are used as the reference for these guideline values.

Dimensions of mounting plate





Height / Width / Depth 400 / 300 / 220 mm

Ordering data

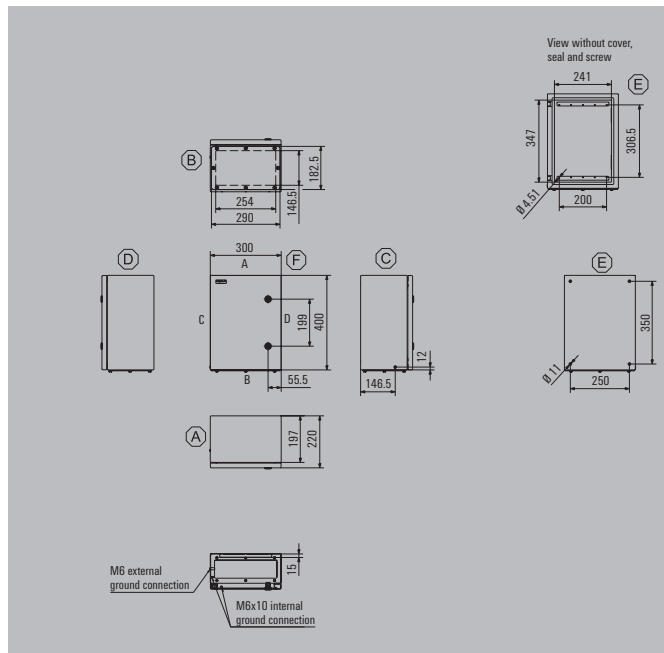
Stainless steel 1.4301 304, electropolished	Order No.
0 gland plates	1197510000
1 gland plate - positioned down (B)	1197520000

Note

Accessories

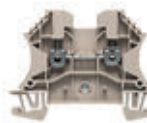
Mounting plates and fastening screws	Order No.
Steel sheet, zinc plated	1310420000
Stainless steel 1.4301	1310330000
Fastening screws for terminal rails	1274150000
Stainless steel spacer M6 x 8, Set of 4	
10 mm length	0935110000
15 mm length	0935120000
20 mm length	0935130000
30 mm length	0935140000
Mild steel nickel plated Spacer M6 x 8, set of 2	
15 mm length	3896100000
20 mm length	3896200000
30 mm length	3896300000
Mounting feet, set containing 4 pieces each	
Stainless steel 1.4301	1289180000
Lock inserts	
Slot	1191600000
Double-bit	1191590000
Compensating element	
Polyamide 6, M12	1868570000
Stainless steel 1.4305, M12	1868550000
Double-bit key	
	2473930000

Note



Max. number of terminals (industry)

Max. number of terminals (industry)	vertical	horizontal
2.5 mm ²	3x56	4x36
4 mm ²	3x47	4x30
6 mm ²	3x35	4x23
10 mm ²	3x28	4x18
16 mm ²	3x23	4x15
35 mm ²	3x18	4x11



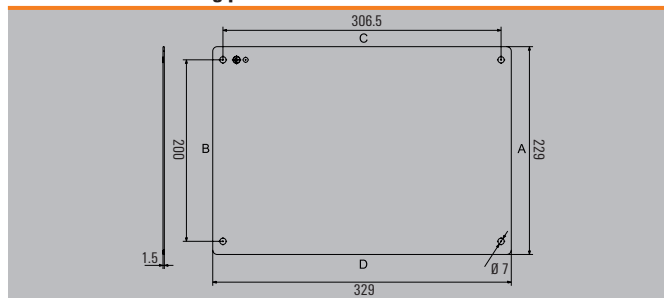
Note The assembly with modular terminals gives consideration to a distance of 10 mm from the end of each mounting rail.
 Order recommendations:
 TS 35 mounting rail (screw terminal) WDU 2.5 1020000000 / (tension clamp terminal) ZDU 2.5 1608510000 / (tension clamp terminal) PDU 2.5 1896110000
 TS 32 mounting rail (screw terminal) SAK 2.5 0279660000
 TS 15 mounting rail (screw terminal) AKZ 2.5 0697160000

Number of cable entries

Number of cable entries	A / B	C / D
M12	38	
M16	26	
M20	22	
M25	14	
M32	7	
M40	6	
M50	3	
M63	2	
M75	2	

Note Our IP 68 brass cable glands are used as the reference for these guideline values.

Dimensions of mounting plate





Height / Width / Depth 400 / 400 / 220 mm

Ordering data

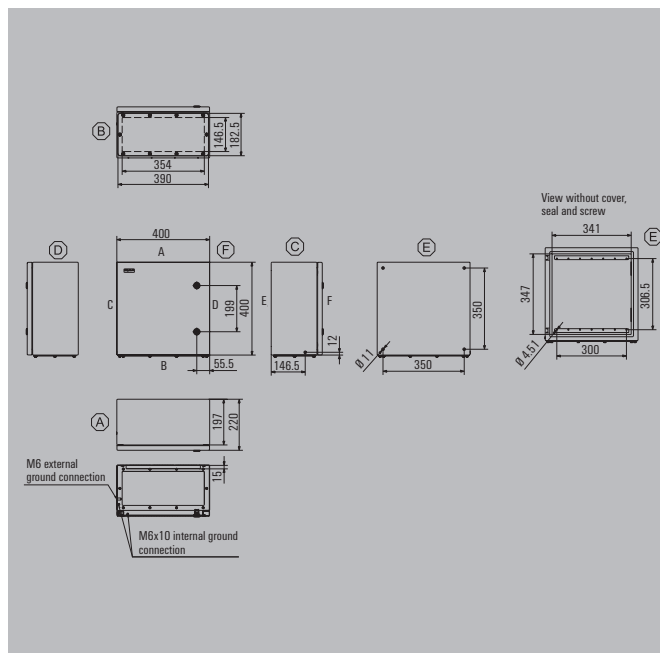
Stainless steel 1.4301 304, electropolished	Order No.
0 gland plates	1197530000
1 gland plate - positioned down (B)	1197540000

Note

Accessories

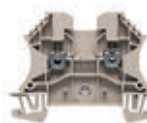
Mounting plates and fastening screws	Order No.
Steel sheet, zinc plated	1310430000
Stainless steel 1.4301	1310340000
Fastening screws for terminal rails	1274150000
Stainless steel spacer M6 x 8, Set of 4	
10 mm length	0935110000
15 mm length	0935120000
20 mm length	0935130000
30 mm length	0935140000
Mild steel nickel plated Spacer M6 x 8, set of 2	
15 mm length	3896100000
20 mm length	3896200000
30 mm length	3896300000
Mounting feet, set containing 4 pieces each	
Stainless steel 1.4301	1289180000
Lock inserts	
Slot	1191600000
Double-bit	1191590000
Compensating element	
Polyamide 6, M12	1868570000
Stainless steel 1.4305, M12	1868550000
Double-bit key	
	2473930000

Note



Max. number of terminals (industry)

Max. number of terminals (industry)	vertical	horizontal
2.5 mm ²	4x56	4x56
4 mm ²	4x47	4x47
6 mm ²	4x35	4x35
10 mm ²	4x28	4x28
16 mm ²	4x23	4x23
35 mm ²	4x18	4x18



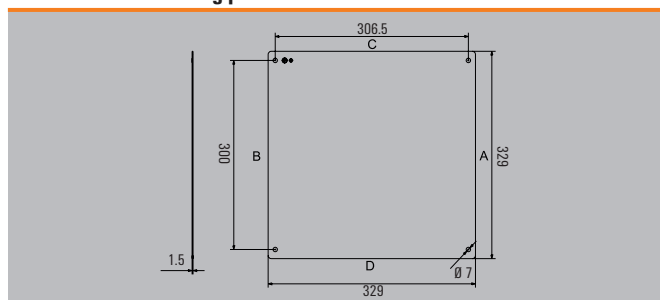
Note The assembly with modular terminals gives consideration to a distance of 10 mm from the end of each mounting rail.
 Order recommendations:
 TS 35 mounting rail (screw terminal) WDU 2.5 1020000000 / (tension clamp terminal) ZDU 2.5 1608510000 / (tension clamp terminal) PDU 2.5 1896110000
 TS 32 mounting rail (screw terminal) SAK 2.5 0279660000
 TS 15 mounting rail (screw terminal) AKZ 2.5 0697160000

Number of cable entries

Number of cable entries	A / B	C / D
M12	53	
M16	36	
M20	30	
M25	20	
M32	11	
M40	9	
M50	4	
M63	3	
M75	3	

Note Our IP 68 brass cable glands are used as the reference for these guideline values.

Dimensions of mounting plate





Height / Width / Depth 500 / 400 / 220 mm

Ordering data

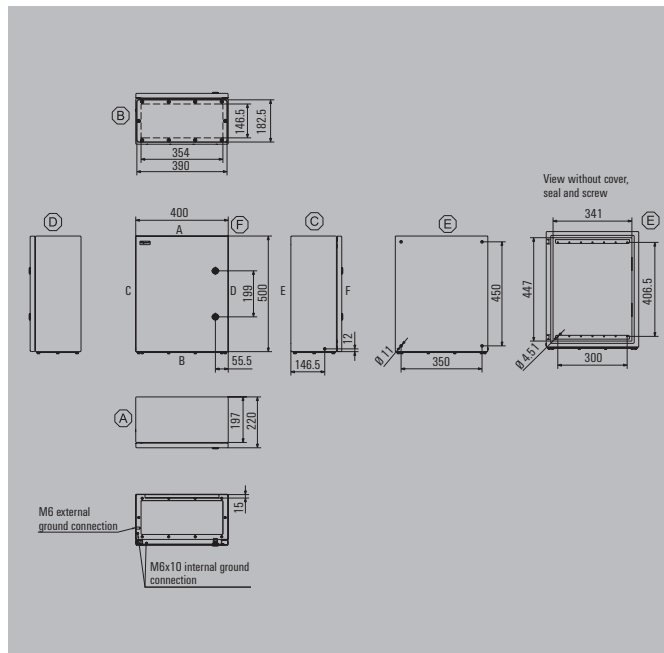
Stainless steel 1.4301 304, electropolished	Order No.
0 gland plates	1197550000
1 gland plate - positioned down (B)	1197560000

Note

Accessories

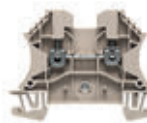
Mounting plates and fastening screws	Order No.
Steel sheet, zinc plated	1310440000
Stainless steel 1.4301	1310350000
Fastening screws for terminal rails	1274150000
Stainless steel spacer M6 x 8, Set of 4	
10 mm length	0935110000
15 mm length	0935120000
20 mm length	0935130000
30 mm length	0935140000
Mild steel nickel plated Spacer M6 x 8, set of 2	
15 mm length	3896100000
20 mm length	3896200000
30 mm length	3896300000
Mounting feet, set containing 4 pieces each	
Stainless steel 1.4301	1289180000
Lock inserts	
Slot	1191600000
Double-bit	1191590000
Compensating element	
Polyamide 6, M12	1868570000
Stainless steel 1.4305, M12	1868550000
Double-bit key	
	2473930000

Note



Max. number of terminals (industry)

Max. number of terminals (industry)	vertical	horizontal
2.5 mm ²	4x75	6x56
4 mm ²	4x63	6x47
6 mm ²	4x47	6x35
10 mm ²	4x38	6x28
16 mm ²	4x32	6x23
35 mm ²	4x24	6x18



Note

The assembly with modular terminals gives consideration to a distance of 10 mm from the end of each mounting rail.
 Order recommendations:
 TS 35 mounting rail (screw terminal) WDU 2.5 1020000000 / (tension clamp terminal) ZDU 2.5 1608510000 / (tension clamp terminal) PDU 2.5 1896110000
 TS 32 mounting rail (screw terminal) SAK 2.5 0279660000
 TS 15 mounting rail (screw terminal) AKZ 2.5 0697160000

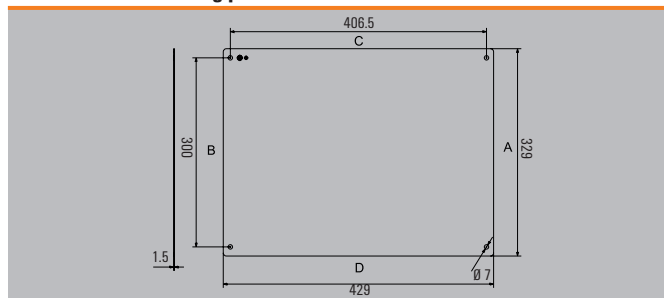
Number of cable entries

Number of cable entries	A / B	C / D
M12	53	
M16	36	
M20	30	
M25	20	
M32	11	
M40	9	
M50	4	
M63	3	
M75	3	

Note

Our IP 68 brass cable glands are used as the reference for these guideline values.

Dimensions of mounting plate





Height / Width / Depth 500 / 500 / 220 mm

Ordering data

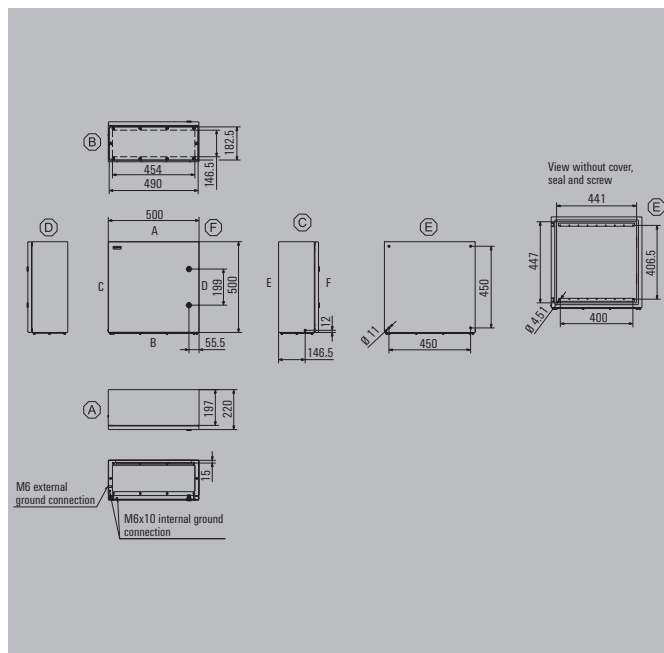
Stainless steel 1.4301 304, electropolished	Order No.
0 gland plates	1197570000
1 gland plate - positioned down (B)	1197580000

Note

Accessories

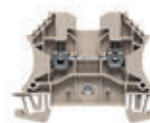
Mounting plates and fastening screws	Order No.
Steel sheet, zinc plated	1310450000
Stainless steel 1.4301	1310360000
Fastening screws for terminal rails	1274150000
Stainless steel spacer M6 x 8, Set of 4	
10 mm length	0935110000
15 mm length	0935120000
20 mm length	0935130000
30 mm length	0935140000
Mild steel nickel plated Spacer M6 x 8, set of 2	
15 mm length	3896100000
20 mm length	3896200000
30 mm length	3896300000
Mounting feet, set containing 4 pieces each	
Stainless steel 1.4301	1289180000
Lock inserts	
Slot	1191600000
Double-bit	1191590000
Compensating element	
Polyamide 6, M12	1868570000
Stainless steel 1.4305, M12	1868550000
Double-bit key	
	2473930000

Note



Max. number of terminals (industry)

Max. number of terminals (industry)	vertical	horizontal
2.5 mm ²	6x75	6x75
4 mm ²	6x63	6x63
6 mm ²	6x47	6x47
10 mm ²	6x38	6x38
16 mm ²	6x32	6x32
35 mm ²	6x24	6x24



Note

The assembly with modular terminals gives consideration to a distance of 10 mm from the end of each mounting rail.
 Order recommendations:
 TS 35 mounting rail (screw terminal) WDU 2.5 1020000000 / (tension clamp terminal) ZDU 2.5 1608510000 / (tension clamp terminal) PDU 2.5 1896110000
 TS 32 mounting rail (screw terminal) SAK 2.5 0279660000
 TS 15 mounting rail (screw terminal) AKZ 2.5 0697160000

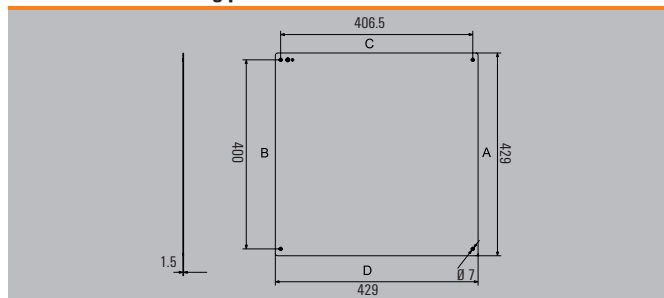
Number of cable entries

Number of cable entries	A / B	C / D
M12	70	
M16	46	
M20	40	
M25	26	
M32	14	
M40	12	
M50	5	
M63	4	
M75	3	

Note

Our IP 68 brass cable glands are used as the reference for these guideline values.

Dimensions of mounting plate





Height / Width / Depth 600 / 400 / 220 mm

Ordering data

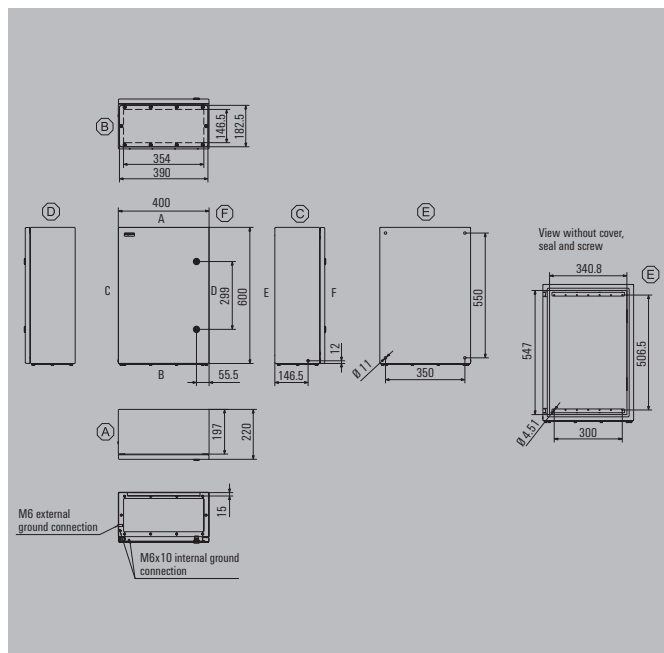
Stainless steel 1.4301 304, electropolished	Order No.
0 gland plates	1197590000
1 gland plate - positioned down (B)	1197600000

Note

Accessories

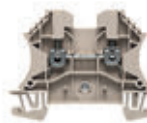
Mounting plates and fastening screws	Order No.
Steel sheet, zinc plated	1310460000
Stainless steel 1.4301	1310370000
Fastening screws for terminal rails	1274150000
Stainless steel spacer M6 x 8, Set of 4	
10 mm length	0935110000
15 mm length	0935120000
20 mm length	0935130000
30 mm length	0935140000
Mild steel nickel plated Spacer M6 x 8, set of 2	
15 mm length	3896100000
20 mm length	3896200000
30 mm length	3896300000
Mounting feet, set containing 4 pieces each	
Stainless steel 1.4301	1289180000
Lock inserts	
Slot	1191600000
Double-bit	1191590000
Compensating element	
Polyamide 6, M12	1868570000
Stainless steel 1.4305, M12	1868550000
Double-bit key	
	2473930000

Note



Max. number of terminals (industry)

Max. number of terminals (industry)	vertical	horizontal
2.5 mm ²	4x94	8x56
4 mm ²	4x79	8x47
6 mm ²	4x60	8x35
10 mm ²	4x48	8x28
16 mm ²	4x40	8x23
35 mm ²	4x30	8x18



Note The assembly with modular terminals gives consideration to a distance of 10 mm from the end of each mounting rail.
 Order recommendations:
 TS 35 mounting rail (screw terminal) WDU 2.5 1020000000 / (tension clamp terminal) ZDU 2.5 1608510000 / (tension clamp terminal) PDU 2.5 1896110000
 TS 32 mounting rail (screw terminal) SAK 2.5 0279660000
 TS 15 mounting rail (screw terminal) AKZ 2.5 0697160000

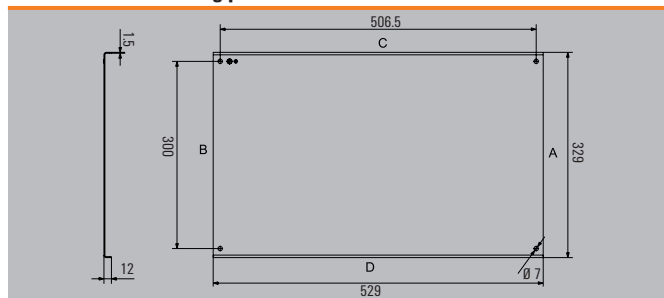
Number of cable entries

Number of cable entries	A / B	C / D
M12	53	
M16	36	
M20	30	
M25	20	
M32	11	
M40	9	
M50	4	
M63	3	
M75	3	



Note Our IP 68 brass cable glands are used as the reference for these guideline values.

Dimensions of mounting plate





Height / Width / Depth 600 / 600 / 220 mm

Ordering data

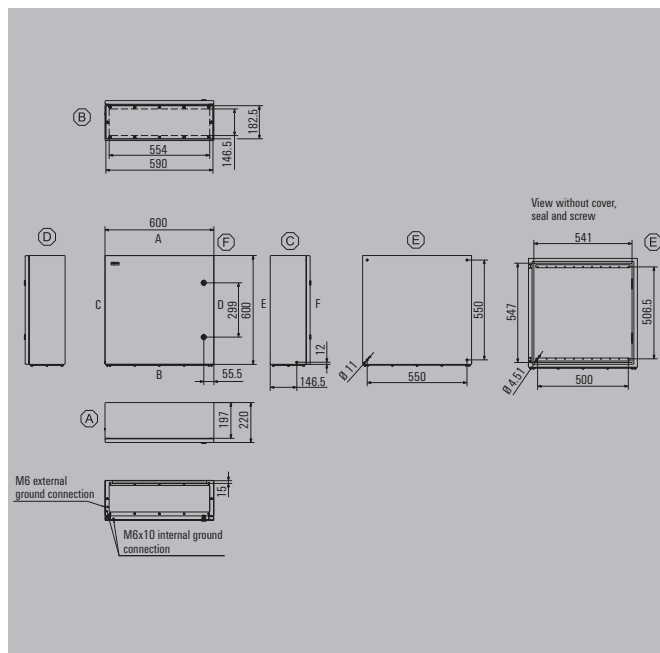
Stainless steel 1.4301 304, electropolished	Order No.
0 gland plates	1197610000
1 gland plate - positioned down (B)	1197620000

Note

Accessories

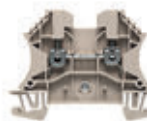
Mounting plates and fastening screws	Order No.
Steel sheet, zinc plated	1310470000
Stainless steel 1.4301	1310380000
Fastening screws for terminal rails	1274150000
Stainless steel spacer M6 x 8, Set of 4	
10 mm length	0935110000
15 mm length	0935120000
20 mm length	0935130000
30 mm length	0935140000
Mild steel nickel plated Spacer M6 x 8, set of 2	
15 mm length	3896100000
20 mm length	3896200000
30 mm length	3896300000
Mounting feet, set containing 4 pieces each	
Stainless steel 1.4301	1289180000
Lock inserts	
Slot	1191600000
Double-bit	1191590000
Compensating element	
Polyamide 6, M12	1868570000
Stainless steel 1.4305, M12	1868550000
Double-bit key	
	2473930000

Note



Max. number of terminals (industry)

Max. number of terminals (industry)	vertical	horizontal
2.5 mm ²	8x94	8x94
4 mm ²	8x79	8x79
6 mm ²	8x60	8x60
10 mm ²	8x48	8x48
16 mm ²	8x40	8x40
35 mm ²	8x30	8x30



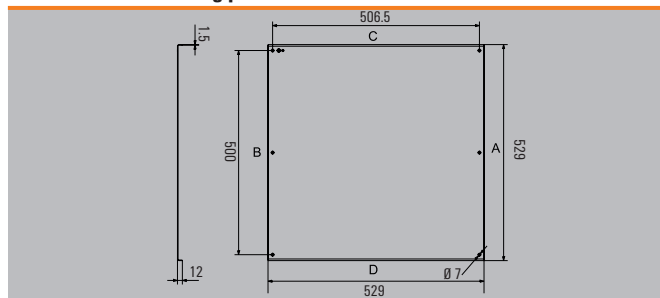
Note The assembly with modular terminals gives consideration to a distance of 10 mm from the end of each mounting rail.
 Order recommendations:
 TS 35 mounting rail (screw terminal) WDU 2.5 1020000000 / (tension clamp terminal) ZDU 2.5 1608510000 / (tension clamp terminal) PDU 2.5 1896110000
 TS 32 mounting rail (screw terminal) SAK 2.5 0279660000
 TS 15 mounting rail (screw terminal) AKZ 2.5 0697160000

Number of cable entries

Number of cable entries	A / B	C / D
M12	85	
M16	58	
M20	50	
M25	32	
M32	17	
M40	14	
M50	6	
M63	5	
M75	4	

Note Our IP 68 brass cable glands are used as the reference for these guideline values.

Dimensions of mounting plate





800 / 600 / 220 mm

Ordering data

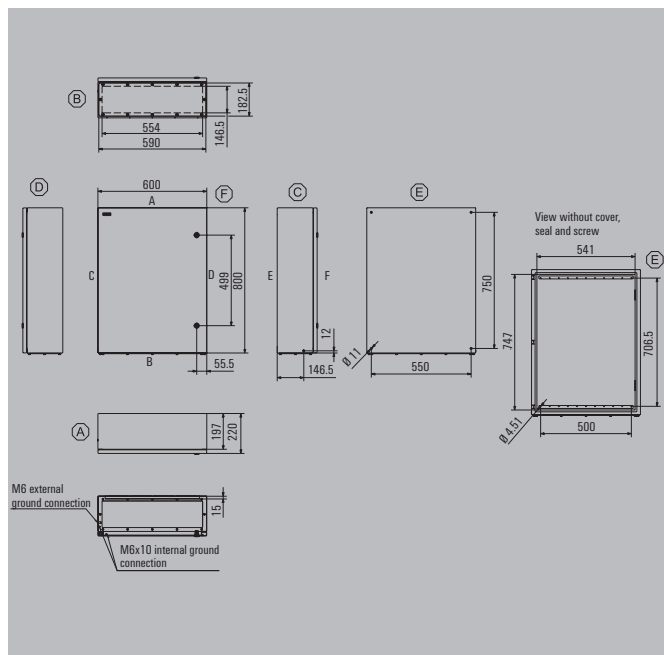
Stainless steel 1.4301 304, electropolished	Order No.
0 gland plates	1197630000
1 gland plate - positioned down (B)	1197640000

Note

Accessories

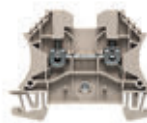
Mounting plates and fastening screws	Order No.
Steel sheet, zinc plated	1310480000
Stainless steel 1.4301	1310390000
Fastening screws for terminal rails	1274150000
Stainless steel spacer M6 x 8, Set of 4	
10 mm length	0935110000
15 mm length	0935120000
20 mm length	0935130000
30 mm length	0935140000
Mild steel nickel plated Spacer M6 x 8, set of 2	
15 mm length	3896100000
20 mm length	3896200000
30 mm length	3896300000
Mounting feet, set containing 4 pieces each	
Stainless steel 1.4301	1289180000
Lock inserts	
Slot	1191600000
Double-bit	1191590000
Compensating element	
Polyamide 6, M12	1868570000
Stainless steel 1.4305, M12	1868550000
Double-bit key	
	2473930000

Note



Max. number of terminals (industry)

Max. number of terminals (industry)	vertical	horizontal
2.5 mm ²	8x133	11x94
4 mm ²	8x111	11x79
6 mm ²	8x84	11x60
10 mm ²	8x67	11x48
16 mm ²	8x56	11x40
35 mm ²	8x42	11x30



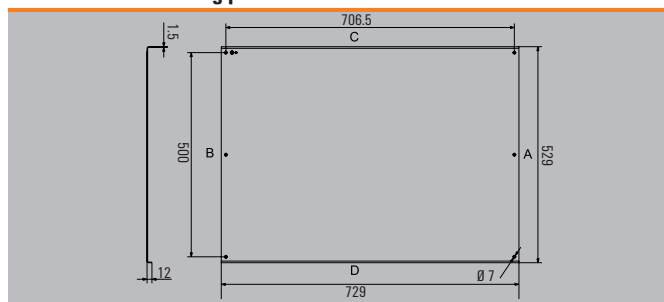
Note The assembly with modular terminals gives consideration to a distance of 10 mm from the end of each mounting rail.
 Order recommendations:
 TS 35 mounting rail (screw terminal) WDU 2.5 1020000000 / (tension clamp terminal) ZDU 2.5 1608510000 / (tension clamp terminal) PDU 2.5 1896110000
 TS 32 mounting rail (screw terminal) SAK 2.5 0279660000
 TS 15 mounting rail (screw terminal) AKZ 2.5 0697160000

Number of cable entries

Number of cable entries	A / B	C / D
M12	85	
M16	58	
M20	50	
M25	32	
M32	17	
M40	14	
M50	6	
M63	5	
M75	4	

Note Our IP 68 brass cable glands are used as the reference for these guideline values.

Dimensions of mounting plate



Klippon® TBi FS – Fixing Screw

Stainless steel enclosures for use within harsh industrial environments

Even under moderate environmental conditions, there is an increasing need for complex, individual automated solutions. A harsh industrial environment places additional, heavy demands on applications and determines the design of the industrial enclosures to meet these demands. With complete protection and excellent durability, our Klippon® TBi stainless steel enclosures offer the best protection for the components inside them. Its electro-polished surface makes the enclosure extraordinarily resistant to corrosion.

- Available in 11 sizes and 2 depths
- Operating temperature range -40 °C to +85 °C
- Impact resistance of 10 J Industrial application
- Dedicated internal mounting support bracket for fixing terminal rail or mounting plates with self forming screws
- External earth point - suitable for M6 threaded screw
- Concealed hinges
- Internal earth stud - M6 screw fitted to enclosure lid and base
- Supplied in 0 or 1 gland plate version
- Direct mounting of the enclosure by means of rear mounting holes
- Mounting feet in stainless steel are optionally available, can be rotated by 90°
- Moisture and dust channel

Our assembly service can supply these enclosure preassembled with terminal boxes, electronics and cable glands.



Overview of enclosures

Ordering data

Description	Height x width x depth in mm	0 Gland Plate	1 Gland Plate (below)
KTBi FS 302015 S2E_*	300 x 200 x 150	1197200000	1197210000
KTBi FS 303015 S2E_*	300 x 300 x 150	1197220000	1197230000
KTBi FS 303022 S2E_*	300 x 300 x 220	1197240000	1197250000
KTBi FS 403015 S2E_*	400 x 300 x 150	1197260000	1197270000
KTBi FS 403022 S2E_*	400 x 300 x 220	1197280000	1197290000
KTBi FS 404022 S2E_*	400 x 400 x 220	1197300000	1197310000
KTBi FS 504022 S2E_*	500 x 400 x 220	1197320000	1197330000
KTBi FS 505022 S2E_*	500 x 500 x 220	1197340000	1197350000
KTBi FS 604022 S2E_*	600 x 400 x 220	1197360000	1197370000
KTBi FS 606022 S2E_*	600 x 600 x 220	1197380000	1197390000
KTBi FS 806022 S2E_*	800 x 600 x 220	1197400000	1197410000

Note *Placeholder for the number of gland plates (0 or 1)

Technical Overview

Features

- Available in 11 sizes and 2 standard depths
- Welded mounting bracket for securing the mounting plate or mounting rail by means of self-tapping screws
- External earth - M6 earth tab rivet
- M6 earthing bolt welded in the cover and base of the enclosure
- Available with 0 or 1 gland plates
- Optimised laser welding, high quality standard
- Direct mounting of the enclosures with rear mounting holes
- Mounting feet in stainless steel are optionally available, and can be rotated by 90°
- Permanent labelling of items
- Packaging optimally designed for enclosure

Note

Technical data

Material	Stainless steel 1.4301 (304) in 1.5 mm
Surface	Electroplished
IP protection class	IP 66 to DIN EN 60529
NEMA Rating	3, 4x, 5
Gland plates	1.5 mm thick stainless steel 1.4301 (304) flange plates, mounted with M6 screws, spanner size 10 mm
Earthing inside	Welded-on M6 stainless-steel earth stud in enclosure lid and base
Earthing outside	M6 earth tab rivet
Installation mounting	Welded mounting bracket for flexible mounting of the mounting plate, rails or TAS 20 rails. They contain 4.51 mm drill holes for accommodating the mounting plate or TS/TAS by means of self-tapping screws (1274150000)
Enclosure attachment	Direct mounting (11 mm mounting holes on rear wall) or via mounting feet (optionally available), adjustable by 90°
Lid opening	Fully removable lid
Lid fixing	M6 hexagon head slotted screws SW10 without hinge
Impact resistance	IK09 (10J) to DIN EN 50102
Gasket material	Neoprene - CR
Operating temperature range	-40 °C ... +85 °C
Tightening torque screws of lid and gland plates*	2.5 Nm
Note	*Please use our hexagon screwdriver with 10 mm size (9009070000)

Approvals for empty enclosures

Empty enclosure standard	DIN EN 62208
Germanischer Lloyd	20 593 - 11 HH
cULus	E256877
Note	For details of power dissipation, please contact your Weidmüller representative.



Height / Width / Depth 300 / 200 / 150 mm

Ordering data

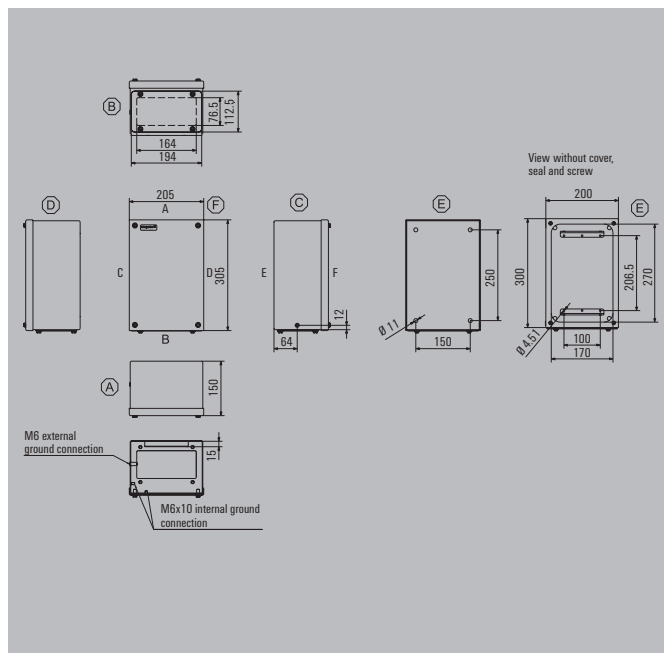
Stainless steel 1.4301 304, electropolished	Order No.
0 gland plates	1197200000
1 gland plate - positioned down (B)	1197210000

Note

Accessories

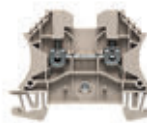
Mounting plates and fastening screws	Order No.
Steel sheet, zinc plated	1309690000
Stainless steel 1.4301	1309700000
Fastening screws for terminal rails	1274150000
Stainless steel spacer M6 x 8, Set of 4	
10 mm length	0935110000
15 mm length	0935120000
20 mm length	0935130000
30 mm length	0935140000
Mild steel nickel plated Spacer M6 x 8, set of 2	
15 mm length	3896100000
20 mm length	3896200000
30 mm length	3896300000
Mounting feet, set containing 4 pieces each	
Stainless steel 1.4301	1289180000
Compensating element	
Polyamide 6, M12	1868570000
Stainless steel 1.4305, M12	1868550000

Note



Max. number of terminals (industry)

Max. number of terminals (industry)	vertical	horizontal
2.5 mm ²	1x36	3x17
4 mm ²	1x30	3x14
6 mm ²	1x23	3x11
10 mm ²	1x18	3x9
16 mm ²	1x15	3x7
35 mm ²	1x11	3x5



Note The assembly with modular terminals gives consideration to a distance of 10 mm from the end of each mounting rail.
 Order recommendations:
 TS 35 mounting rail (screw terminal) WDU 2.5 1020000000 / (tension clamp terminal) ZDU 2.5 1608510000 / (tension clamp terminal) PDU 2.5 1896110000
 TS 32 mounting rail (screw terminal) SAK 2.5 0279660000
 TS 15 mounting rail (screw terminal) AKZ 2.5 0697160000

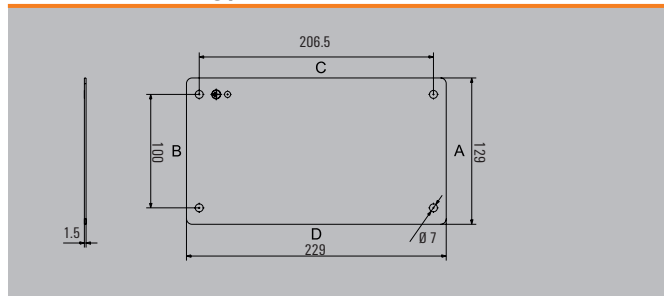
Number of cable entries

Number of cable entries	A / B	C / D
M12	14	
M16	7	
M20	6	
M25	3	
M32	2	
M40	2	
M50	1	
M63		
M75		



Note Our IP 68 brass cable glands are used as the reference for these guideline values.

Dimensions of mounting plate





Height / Width / Depth 300 / 300 / 150 mm

Ordering data

Stainless steel 1.4301 304, electropolished	Order No.
0 gland plates	1197220000
1 gland plate - positioned down (B)	1197230000

Note

Accessories

Mounting plates and fastening screws	Order No.
Steel sheet, zinc plated	1310410000
Stainless steel 1.4301	1310320000
Fastening screws for terminal rails	1274150000

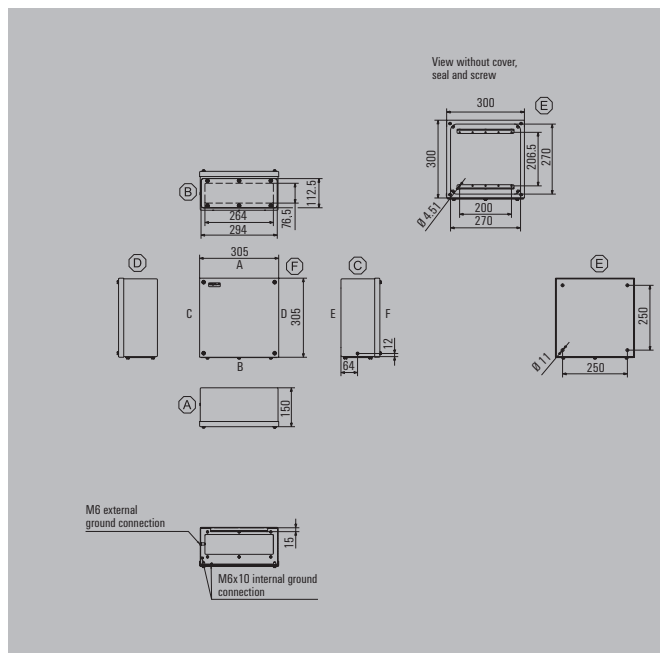
Stainless steel spacer M6 x 8, Set of 4	Order No.
10 mm length	0935110000
15 mm length	0935120000
20 mm length	0935130000
30 mm length	0935140000

Mild steel nickel plated Spacer M6 x 8, set of 2	Order No.
15 mm length	3896100000
20 mm length	3896200000
30 mm length	3896300000

Mounting feet, set containing 4 pieces each	Order No.
Stainless steel 1.4301	1289180000

Compensating element	Order No.
Polyamide 6, M12	1868570000
Stainless steel 1.4305, M12	1868550000

Note



Max. number of terminals (industry)

Max. number of terminals (industry)	vertical	horizontal
2.5 mm ²	3x36	3x36
4 mm ²	3x30	3x30
6 mm ²	3x23	3x23
10 mm ²	3x18	3x18
16 mm ²	3x15	3x15
35 mm ²	3x11	3x11

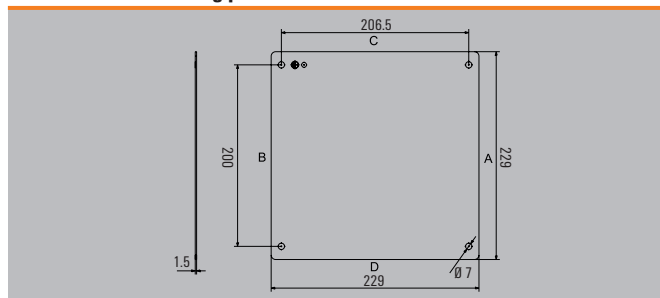
Note The assembly with modular terminals gives consideration to a distance of 10 mm from the end of each mounting rail.
 Order recommendations:
 TS 35 mounting rail (screw terminal) WDU 2.5 1020000000 / (tension clamp terminal) ZDU 2.5 1608510000 / (tension clamp terminal) PDU 2.5 1896110000
 TS 32 mounting rail (screw terminal) SAK 2.5 0279660000
 TS 15 mounting rail (screw terminal) AKZ 2.5 0697160000

Number of cable entries

Number of cable entries	A / B	C / D
M12	23	
M16	13	
M20	11	
M25	5	
M32	4	
M40	3	
M50	3	
M63		
M75		

Note Our IP 68 brass cable glands are used as the reference for these guideline values.

Dimensions of mounting plate





Height / Width / Depth 300 / 300 / 220 mm

Ordering data

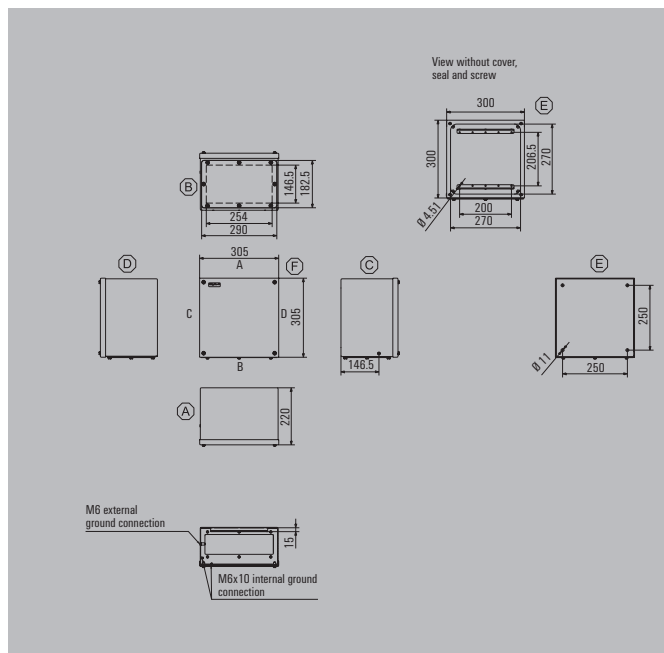
Stainless steel 1.4301 304, electropolished	Order No.
0 gland plates	1197240000
1 gland plate - positioned down (B)	1197250000

Note

Accessories

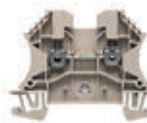
Mounting plates and fastening screws	Order No.
Steel sheet, zinc plated	1310410000
Stainless steel 1.4301	1310320000
Fastening screws for terminal rails	1274150000
Stainless steel spacer M6 x 8, Set of 4	
10 mm length	0935110000
15 mm length	0935120000
20 mm length	0935130000
30 mm length	0935140000
Mild steel nickel plated Spacer M6 x 8, set of 2	
15 mm length	3896100000
20 mm length	3896200000
30 mm length	3896300000
Mounting feet, set containing 4 pieces each	
Stainless steel 1.4301	1289180000
Compensating element	
Polyamide 6, M12	1868570000
Stainless steel 1.4305, M12	1868550000

Note



Max. number of terminals (industry)

Max. number of terminals (industry)	vertical	horizontal
2.5 mm ²	3x36	3x36
4 mm ²	3x30	3x30
6 mm ²	3x23	3x23
10 mm ²	3x18	3x18
16 mm ²	3x15	3x15
35 mm ²	3x11	3x11



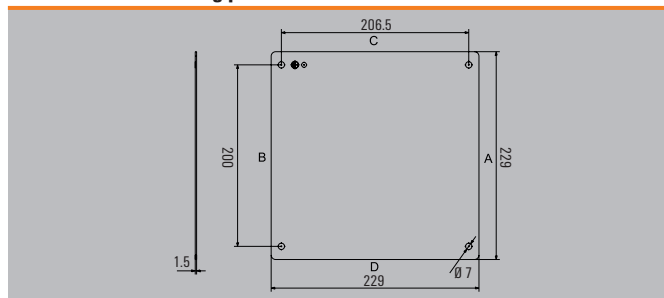
Note The assembly with modular terminals gives consideration to a distance of 10 mm from the end of each mounting rail.
 Order recommendations:
 TS 35 mounting rail (screw terminal) WDU 2.5 1020000000 / (tension clamp terminal) ZDU 2.5 1608510000 / (tension clamp terminal) PDU 2.5 1896110000
 TS 32 mounting rail (screw terminal) SAK 2.5 0279660000
 TS 15 mounting rail (screw terminal) AKZ 2.5 0697160000

Number of cable entries

Number of cable entries	A / B	C / D
M12	38	
M16	26	
M20	22	
M25	14	
M32	7	
M40	6	
M50	3	
M63	2	
M75	2	

Note Our IP 68 brass cable glands are used as the reference for these guideline values.

Dimensions of mounting plate





Height / Width / Depth 400 / 300 / 150 mm

Ordering data

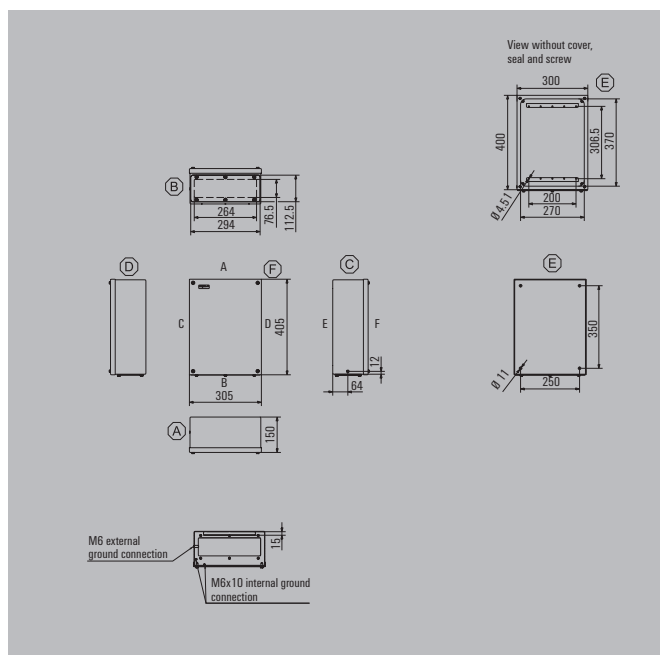
Stainless steel 1.4301 304, electropolished	Order No.
0 gland plates	1197260000
1 gland plate - positioned down (B)	1197270000

Note

Accessories

Mounting plates and fastening screws	Order No.
Steel sheet, zinc plated	1310420000
Stainless steel 1.4301	1310330000
Fastening screws for terminal rails	1274150000
Stainless steel spacer M6 x 8, Set of 4	
10 mm length	0935110000
15 mm length	0935120000
20 mm length	0935130000
30 mm length	0935140000
Mild steel nickel plated Spacer M6 x 8, set of 2	
15 mm length	3896100000
20 mm length	3896200000
30 mm length	3896300000
Mounting feet, set containing 4 pieces each	
Stainless steel 1.4301	1289180000
Compensating element	
Polyamide 6, M12	1868570000
Stainless steel 1.4305, M12	1868550000

Note



Max. number of terminals (industry)

Max. number of terminals (industry)	vertical	horizontal
2.5 mm ²	3x56	4x36
4 mm ²	3x47	4x30
6 mm ²	3x35	4x23
10 mm ²	3x28	4x18
16 mm ²	3x23	4x15
35 mm ²	3x18	4x11

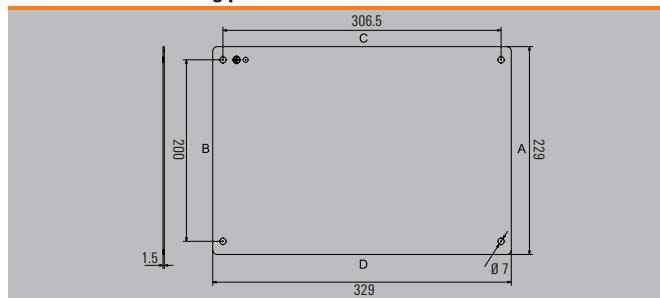
Note The assembly with modular terminals gives consideration to a distance of 10 mm from the end of each mounting rail.
 Order recommendations:
 TS 35 mounting rail (screw terminal) WDU 2.5 1020000000 / (tension clamp terminal) ZDU 2.5 1608510000 / (tension clamp terminal) PDU 2.5 1896110000
 TS 32 mounting rail (screw terminal) SAK 2.5 0279660000
 TS 15 mounting rail (screw terminal) AKZ 2.5 0697160000

Number of cable entries

Number of cable entries	A / B	C / D
M12	23	
M16	13	
M20	11	
M25	5	
M32	4	
M40	3	
M50	3	
M63		
M75		

Note Our IP 68 brass cable glands are used as the reference for these guideline values.

Dimensions of mounting plate





Height / Width / Depth 400 / 300 / 220 mm

Ordering data

Stainless steel 1.4301 304, electropolished	Order No.
0 gland plates	1197280000
1 gland plate - positioned down (B)	1197290000

Note

Accessories

Mounting plates and fastening screws	Order No.
Steel sheet, zinc plated	1310420000
Stainless steel 1.4301	1310330000
Fastening screws for terminal rails	1274150000

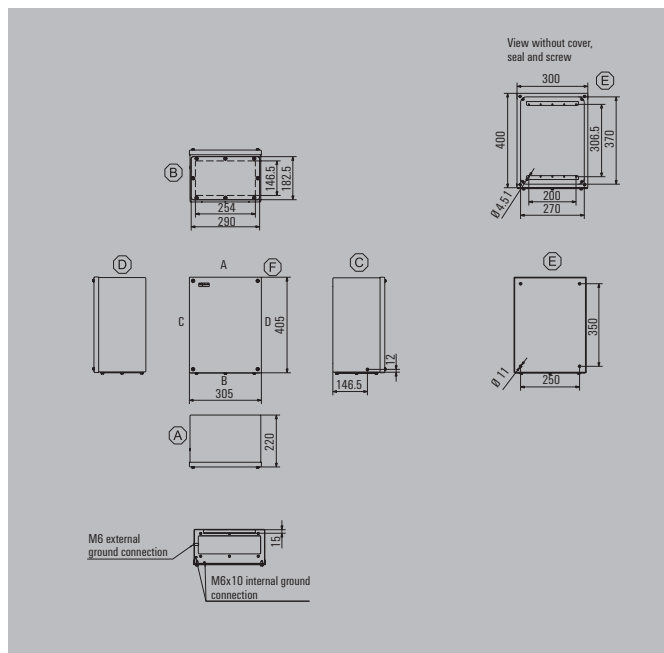
Stainless steel spacer M6 x 8, Set of 4	Order No.
10 mm length	0935110000
15 mm length	0935120000
20 mm length	0935130000
30 mm length	0935140000

Mild steel nickel plated Spacer M6 x 8, set of 2	Order No.
15 mm length	3896100000
20 mm length	3896200000
30 mm length	3896300000

Mounting feet, set containing 4 pieces each	Order No.
Stainless steel 1.4301	1289180000

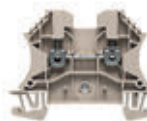
Compensating element	Order No.
Polyamide 6, M12	1868570000
Stainless steel 1.4305, M12	1868550000

Note



Max. number of terminals (industry)

Max. number of terminals (industry)	vertical	horizontal
2.5 mm ²	3x56	4x36
4 mm ²	3x47	4x30
6 mm ²	3x35	4x23
10 mm ²	3x28	4x18
16 mm ²	3x23	4x15
35 mm ²	3x18	4x11



Note The assembly with modular terminals gives consideration to a distance of 10 mm from the end of each mounting rail.
 Order recommendations:
 TS 35 mounting rail (screw terminal) WDU 2.5 1020000000 / (tension clamp terminal) ZDU 2.5 1608510000 / (tension clamp terminal) PDU 2.5 1896110000
 TS 32 mounting rail (screw terminal) SAK 2.5 0279660000
 TS 15 mounting rail (screw terminal) AKZ 2.5 0697160000

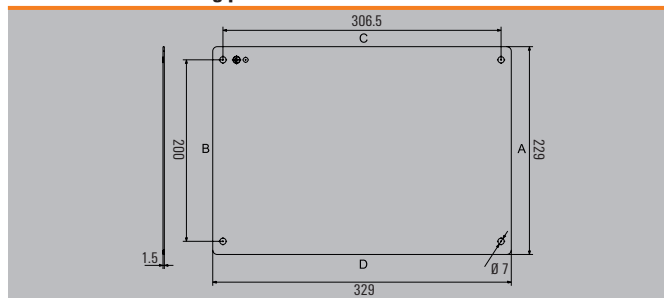
Number of cable entries

Number of cable entries	A / B	C / D
M12	38	
M16	26	
M20	22	
M25	14	
M32	7	
M40	6	
M50	3	
M63	2	
M75	2	



Note Our IP 68 brass cable glands are used as the reference for these guideline values.

Dimensions of mounting plate





Height / Width / Depth 400 / 400 / 220 mm

Ordering data

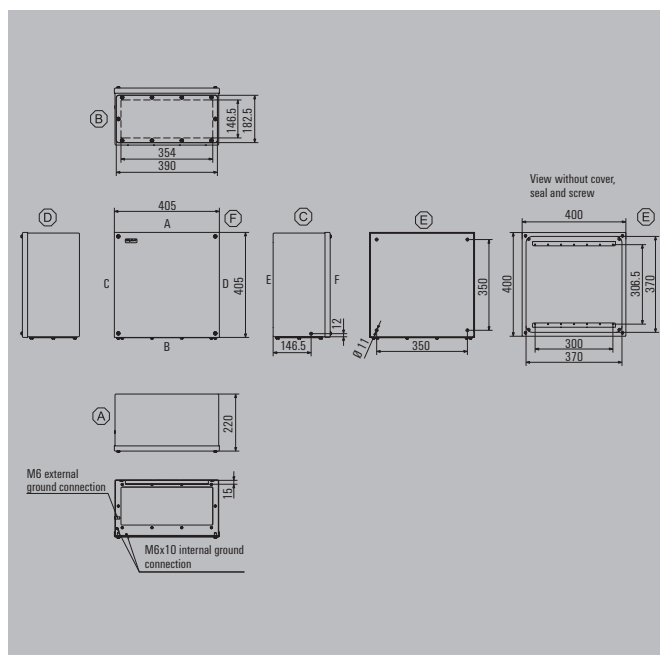
Stainless steel 1.4301 304, electropolished	Order No.
0 gland plates	1197300000
1 gland plate - positioned down (B)	1197310000

Note

Accessories

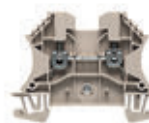
Mounting plates and fastening screws	Order No.
Steel sheet, zinc plated	1310430000
Stainless steel 1.4301	1310340000
Fastening screws for terminal rails	1274150000
Stainless steel spacer M6 x 8, Set of 4	
10 mm length	0935110000
15 mm length	0935120000
20 mm length	0935130000
30 mm length	0935140000
Mild steel nickel plated Spacer M6 x 8, set of 2	
15 mm length	3896100000
20 mm length	3896200000
30 mm length	3896300000
Mounting feet, set containing 4 pieces each	
Stainless steel 1.4301	1289180000
Compensating element	
Polyamide 6, M12	1868570000
Stainless steel 1.4305, M12	1868550000

Note



Max. number of terminals (industry)

Max. number of terminals (industry)	vertical	horizontal
2.5 mm ²	4x56	4x56
4 mm ²	4x47	4x47
6 mm ²	4x35	4x35
10 mm ²	4x28	4x28
16 mm ²	4x23	4x23
35 mm ²	4x18	4x18



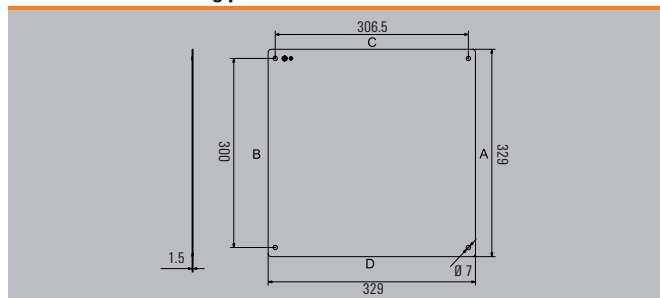
Note The assembly with modular terminals gives consideration to a distance of 10 mm from the end of each mounting rail.
 Order recommendations:
 TS 35 mounting rail (screw terminal) WDU 2.5 1020000000 / (tension clamp terminal) ZDU 2.5 1608510000 / (tension clamp terminal) PDU 2.5 1896110000
 TS 32 mounting rail (screw terminal) SAK 2.5 0279660000
 TS 15 mounting rail (screw terminal) AKZ 2.5 0697160000

Number of cable entries

Number of cable entries	A / B	C / D
M12	53	
M16	36	
M20	30	
M25	20	
M32	11	
M40	9	
M50	4	
M63	3	
M75	3	

Note Our IP 68 brass cable glands are used as the reference for these guideline values.

Dimensions of mounting plate





Height / Width / Depth 500 / 400 / 220 mm

Ordering data

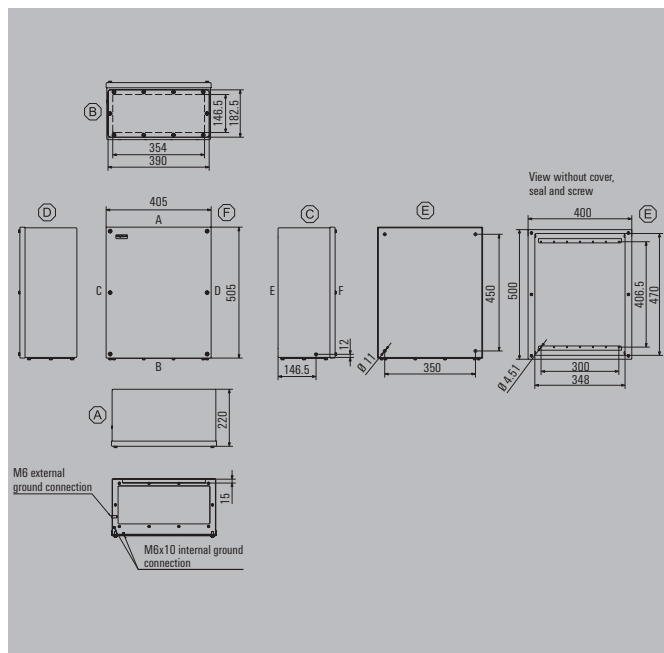
Stainless steel 1.4301 304, electropolished	Order No.
0 gland plates	1197320000
1 gland plate - positioned down (B)	1197330000

Note

Accessories

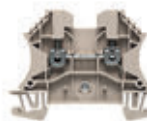
Mounting plates and fastening screws	Order No.
Steel sheet, zinc plated	1310440000
Stainless steel 1.4301	1310350000
Fastening screws for terminal rails	1274150000
Stainless steel spacer M6 x 8, Set of 4	
10 mm length	0935110000
15 mm length	0935120000
20 mm length	0935130000
30 mm length	0935140000
Mild steel nickel plated Spacer M6 x 8, set of 2	
15 mm length	3896100000
20 mm length	3896200000
30 mm length	3896300000
Mounting feet, set containing 4 pieces each	
Stainless steel 1.4301	1289180000
Compensating element	
Polyamide 6, M12	1868570000
Stainless steel 1.4305, M12	1868550000

Note



Max. number of terminals (industry)

Max. number of terminals (industry)	vertical	horizontal
2.5 mm ²	4x75	6x56
4 mm ²	4x63	6x47
6 mm ²	4x47	6x35
10 mm ²	4x38	6x28
16 mm ²	4x32	6x23
35 mm ²	4x24	6x18



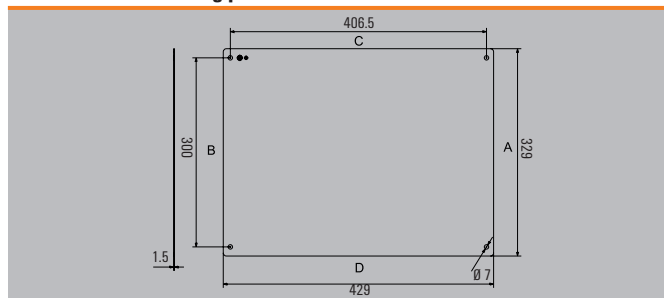
Note The assembly with modular terminals gives consideration to a distance of 10 mm from the end of each mounting rail.
 Order recommendations:
 TS 35 mounting rail (screw terminal) WDU 2.5 1020000000 / (tension clamp terminal) ZDU 2.5 1608510000 / (tension clamp terminal) PDU 2.5 1896110000
 TS 32 mounting rail (screw terminal) SAK 2.5 0279660000
 TS 15 mounting rail (screw terminal) AKZ 2.5 0697160000

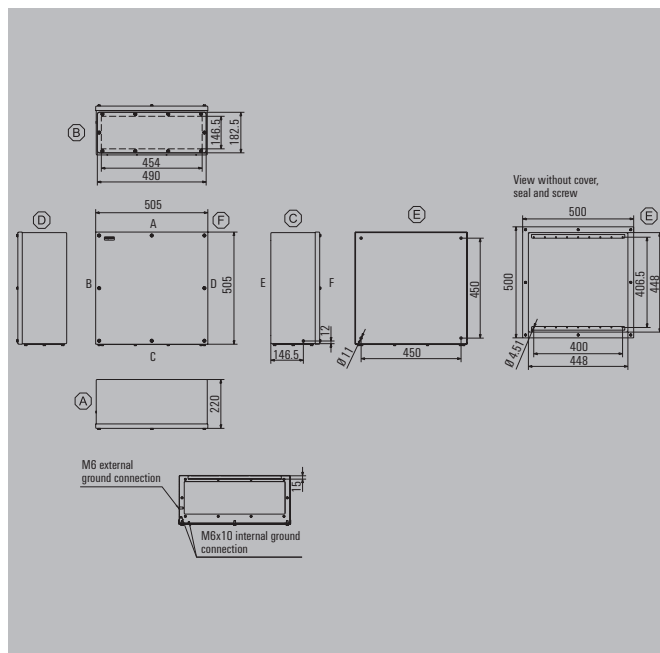
Number of cable entries

Number of cable entries	A / B	C / D
M12	53	
M16	36	
M20	30	
M25	20	
M32	11	
M40	9	
M50	4	
M63	3	
M75	3	

Note Our IP 68 brass cable glands are used as the reference for these guideline values.

Dimensions of mounting plate





Height / Width / Depth 500 / 500 / 220 mm

Ordering data

Stainless steel 1.4301 304, electropolished	Order No.
0 gland plates	1197340000
1 gland plate - positioned down (B)	1197350000

Note

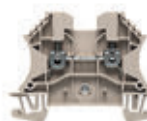
Accessories

Mounting plates and fastening screws	Order No.
Steel sheet, zinc plated	1310450000
Stainless steel 1.4301	1310360000
Fastening screws for terminal rails	1274150000
Stainless steel spacer M6 x 8, Set of 4	
10 mm length	0935110000
15 mm length	0935120000
20 mm length	0935130000
30 mm length	0935140000
Mild steel nickel plated Spacer M6 x 8, set of 2	
15 mm length	3896100000
20 mm length	3896200000
30 mm length	3896300000
Mounting feet, set containing 4 pieces each	
Stainless steel 1.4301	1289180000
Compensating element	
Polyamide 6, M12	1868570000
Stainless steel 1.4305, M12	1868550000

Note

Max. number of terminals (industry)

Max. number of terminals (industry)	vertical	horizontal
2.5 mm ²	6x75	6x75
4 mm ²	6x63	6x63
6 mm ²	6x47	6x47
10 mm ²	6x38	6x38
16 mm ²	6x32	6x32
35 mm ²	6x24	6x24



Note

The assembly with modular terminals gives consideration to a distance of 10 mm from the end of each mounting rail.
 Order recommendations:
 TS 35 mounting rail (screw terminal) WDU 2.5 1020000000 / (tension clamp terminal) ZDU 2.5 1608510000 / (tension clamp terminal) PDU 2.5 1896110000
 TS 32 mounting rail (screw terminal) SAK 2.5 0279660000
 TS 15 mounting rail (screw terminal) AKZ 2.5 0697160000

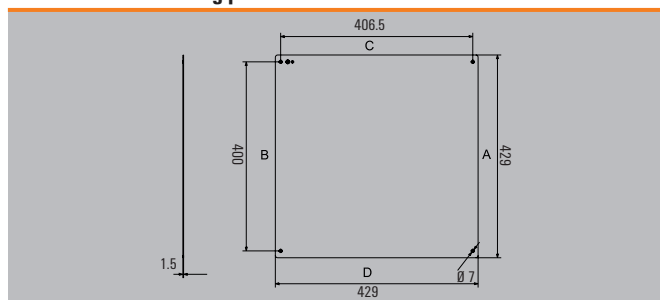
Number of cable entries

Number of cable entries	A / B	C / D
M12	70	
M16	46	
M20	40	
M25	26	
M32	14	
M40	12	
M50	5	
M63	4	
M75	3	

Note

Our IP 68 brass cable glands are used as the reference for these guideline values.

Dimensions of mounting plate





Height / Width / Depth 600 / 400 / 220 mm

Ordering data

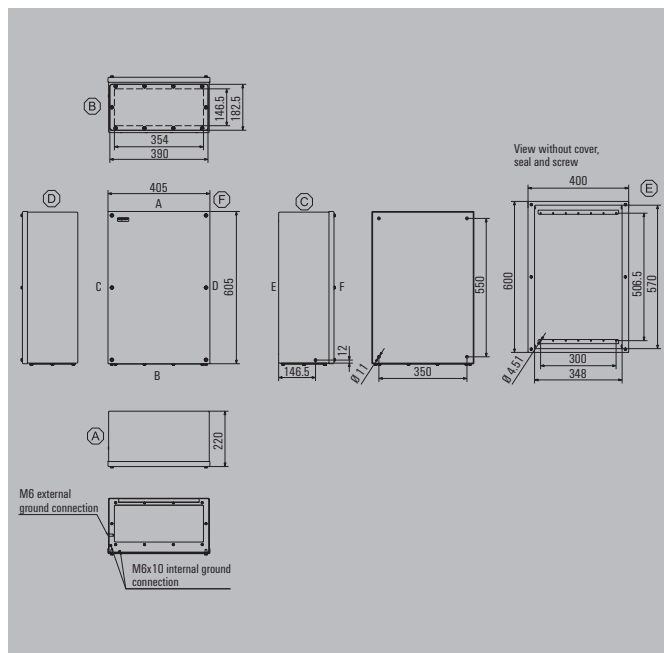
Stainless steel 1.4301 304, electropolished	Order No.
0 gland plates	1197360000
1 gland plate - positioned down (B)	1197370000

Note

Accessories

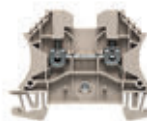
Mounting plates and fastening screws	Order No.
Steel sheet, zinc plated	1310460000
Stainless steel 1.4301	1310370000
Fastening screws for terminal rails	1274150000
Stainless steel spacer M6 x 8, Set of 4	
10 mm length	0935110000
15 mm length	0935120000
20 mm length	0935130000
30 mm length	0935140000
Mild steel nickel plated Spacer M6 x 8, set of 2	
15 mm length	3896100000
20 mm length	3896200000
30 mm length	3896300000
Mounting feet, set containing 4 pieces each	
Stainless steel 1.4301	1289180000
Compensating element	
Polyamide 6, M12	1868570000
Stainless steel 1.4305, M12	1868550000

Note



Max. number of terminals (industry)

Max. number of terminals (industry)	vertical	horizontal
2.5 mm ²	4x94	8x56
4 mm ²	4x79	8x47
6 mm ²	4x60	8x35
10 mm ²	4x48	8x28
16 mm ²	4x40	8x23
35 mm ²	4x30	8x18



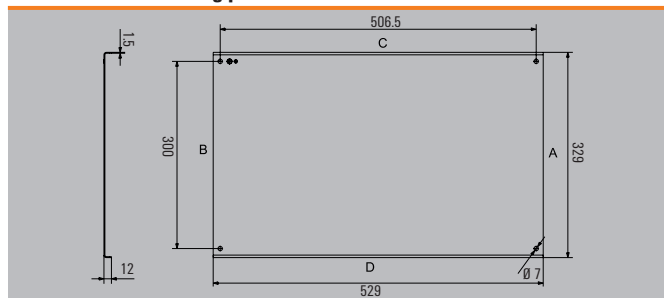
Note The assembly with modular terminals gives consideration to a distance of 10 mm from the end of each mounting rail.
 Order recommendations:
 TS 35 mounting rail (screw terminal) WDU 2.5 1020000000 / (tension clamp terminal) ZDU 2.5 1608510000 / (tension clamp terminal) PDU 2.5 1896110000
 TS 32 mounting rail (screw terminal) SAK 2.5 0279660000
 TS 15 mounting rail (screw terminal) AKZ 2.5 0697160000

Number of cable entries

Number of cable entries	A / B	C / D
M12	53	
M16	36	
M20	30	
M25	20	
M32	11	
M40	9	
M50	4	
M63	3	
M75	3	

Note Our IP 68 brass cable glands are used as the reference for these guideline values.

Dimensions of mounting plate





Height / Width / Depth 600 / 600 / 220 mm

Ordering data

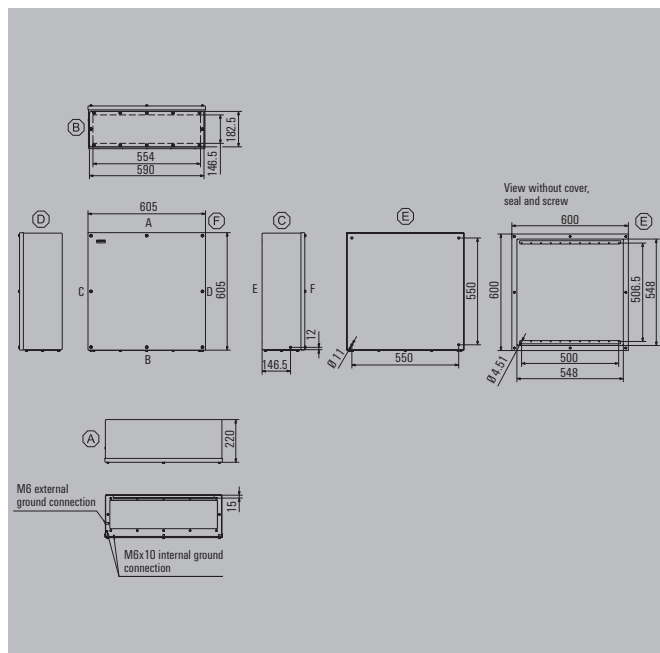
Stainless steel 1.4301 304, electropolished	Order No.
0 gland plates	1197380000
1 gland plate - positioned down (B)	1197390000

Note

Accessories

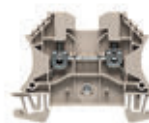
Mounting plates and fastening screws	Order No.
Steel sheet, zinc plated	1310470000
Stainless steel 1.4301	1310380000
Fastening screws for terminal rails	1274150000
Stainless steel spacer M6 x 8, Set of 4	
10 mm length	0935110000
15 mm length	0935120000
20 mm length	0935130000
30 mm length	0935140000
Mild steel nickel plated Spacer M6 x 8, set of 2	
15 mm length	3896100000
20 mm length	3896200000
30 mm length	3896300000
Mounting feet, set containing 4 pieces each	
Stainless steel 1.4301	1289180000
Compensating element	
Polyamide 6, M12	1868570000
Stainless steel 1.4305, M12	1868550000

Note



Max. number of terminals (industry)

Max. number of terminals (industry)	vertical	horizontal
2.5 mm ²	8x94	8x94
4 mm ²	8x79	8x79
6 mm ²	8x60	8x60
10 mm ²	8x48	8x48
16 mm ²	8x40	8x40
35 mm ²	8x30	8x30



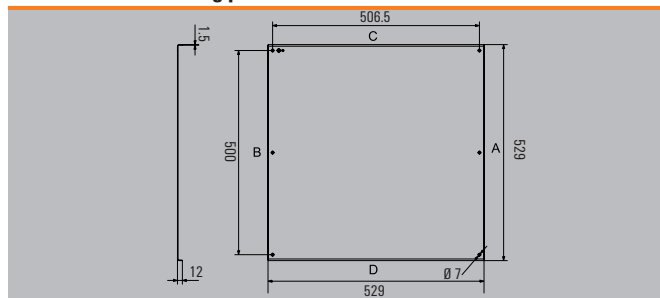
Note The assembly with modular terminals gives consideration to a distance of 10 mm from the end of each mounting rail.
 Order recommendations:
 TS 35 mounting rail (screw terminal) WDU 2.5 1020000000 / (tension clamp terminal) ZDU 2.5 1608510000 / (tension clamp terminal) PDU 2.5 1896110000
 TS 32 mounting rail (screw terminal) SAK 2.5 0279660000
 TS 15 mounting rail (screw terminal) AKZ 2.5 0697160000

Number of cable entries

Number of cable entries	A / B	C / D
M12	85	
M16	58	
M20	50	
M25	32	
M32	17	
M40	14	
M50	6	
M63	5	
M75	4	

Note Our IP 68 brass cable glands are used as the reference for these guideline values.

Dimensions of mounting plate





Height / Width / Depth 800 / 600 / 220 mm

Ordering data

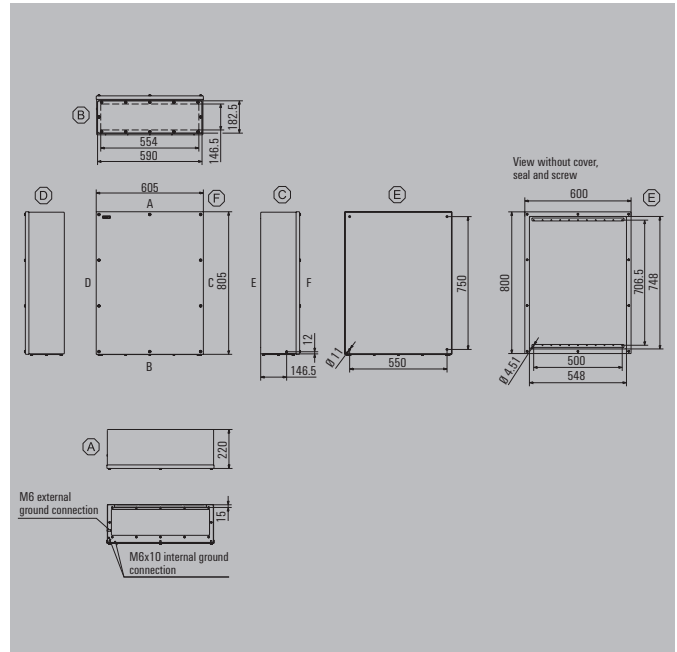
Stainless steel 1.4301 304, electropolished	Order No.
0 gland plates	1197400000
1 gland plate - positioned down (B)	1197410000

Note

Accessories

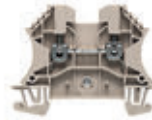
Mounting plates and fastening screws	Order No.
Steel sheet, zinc plated	1310480000
Stainless steel 1.4301	1310390000
Fastening screws for terminal rails	1274150000
Stainless steel spacer M6 x 8, Set of 4	
10 mm length	0935110000
15 mm length	0935120000
20 mm length	0935130000
30 mm length	0935140000
Mild steel nickel plated Spacer M6 x 8, set of 2	
15 mm length	3896100000
20 mm length	3896200000
30 mm length	3896300000
Mounting feet, set containing 4 pieces each	
Stainless steel 1.4301	1289180000
Compensating element	
Polyamide 6, M12	1868570000
Stainless steel 1.4305, M12	1868550000

Note



Max. number of terminals (industry)

Max. number of terminals (industry)	vertical	horizontal
2.5 mm ²	8x133	11x94
4 mm ²	8x111	11x79
6 mm ²	8x84	11x60
10 mm ²	8x67	11x48
16 mm ²	8x56	11x40
35 mm ²	8x42	11x30



Note

The assembly with modular terminals gives consideration to a distance of 10 mm from the end of each mounting rail.
 Order recommendations:
 TS 35 mounting rail (screw terminal) WDU 2.5 1020000000 / (tension clamp terminal) ZDU 2.5 1608510000 / (tension clamp terminal) PDU 2.5 1896110000
 TS 32 mounting rail (screw terminal) SAK 2.5 0279660000
 TS 15 mounting rail (screw terminal) AKZ 2.5 0697160000

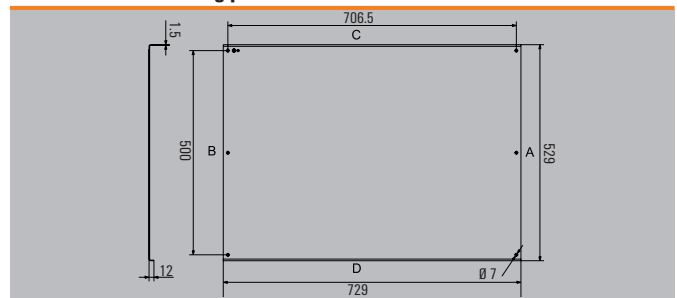
Number of cable entries

Number of cable entries	A / B	C / D
M12	85	
M16	58	
M20	50	
M25	32	
M32	17	
M40	14	
M50	6	
M63	5	
M75	4	

Note

Our IP 68 brass cable glands are used as the reference for these guideline values.

Dimensions of mounting plate



Klippon® STB stainless and sheet steel enclosures

Protection for industrial standard applications and potentially explosive atmospheres

C

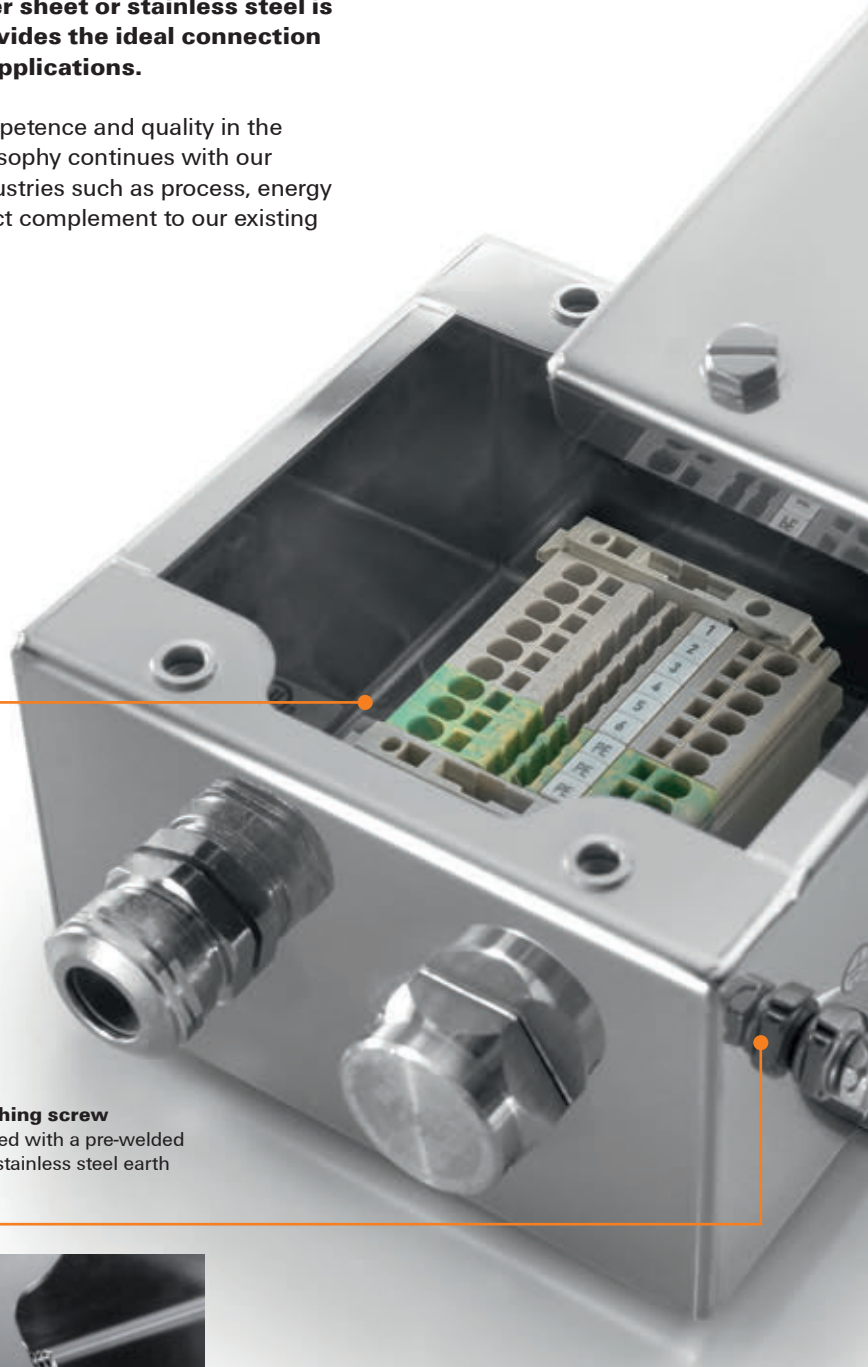
The Klippon® STB range manufactured from either sheet or stainless steel is the perfectly designed Small Terminal Box. It provides the ideal connection point for either industrial or harsh environment applications.

The name Klippon® has long been synonymous for competence and quality in the supply of enclosures and customer solutions. This philosophy continues with our Klippon® STB range of enclosures. Typically serving industries such as process, energy and transportation, the Klippon® STB series is the perfect complement to our existing Klippon Terminal Box Portfolio.

The enclosures are approved to international standards.

Flexible, internal mounting options

Terminal rails can be installed on the industry standard mounting rails using the provided fixing set with welded C-profile (TAS 20). A maximum possible internal working area is provided while ensuring a stable and flexible area for the rail assembly.



Internal / external earthing screw

The enclosures are supplied with a pre-welded internal and external M6 stainless steel earth stud.



Approvals

Klippon® STB enclosures have the latest international approvals.



Enhanced sealing performance

The new silicon seal has impressive thermal properties and can withstand temperatures from -60 °C to +120 °C. Compression protection ensures the complete functionality of the seal.



Mounting lugs

Mounting lugs are pre-fitted as standard. They are vibration and shock resistant and designed to be secure in operation.



Industries

Klippon® STB enclosures can be used in a variety of applications. For example, they are ideal for use in standard applications such as machine construction or transportation. They can also be used in explosive risk zones in the process and petrochemical industry.



Customised solutions

Weidmüller delivers enclosures in the Klippon® STB series connection ready. With its „Customised Solutions“ service, Weidmüller offers extensive consultation, engineering and installation services for modified enclosures. Depending on the customer- and industry-specific application, the enclosures can be modified and, subject to international specifications and regulations, sent worldwide together with a wide range of accessories.



Klippon® STB – Small Terminal Box

Steel enclosures

Ideally suited for the energy and process industry and transportation, the Klippon® STB range is the perfect complement to our existing Klippon® enclosure product line. Enclosures of this range comply with international standards.

Some of the many advantages of these cases are:

- Available in stainless steel or in steel sheet
- Higher temperature resistant seals than the standard
- Flexible options when mounting the internal rail
- The gasket is protected against compression; this ensures that a permanent and secure seal is maintained.
- Earth studs in the lid and in the enclosure base
- Lasered welding seams offer improved quality
- Delivered with welded mounting feet to ensure an sturdy enclosure installation

Weidmüller can manufacture and supply this enclosure to match customer specifications and fitted with all necessary terminals and cable glands.



Overview of enclosures

Ordering data

Description	Height x width x depth in mm	Mirror-polish	Electropolished	Powder-coated (RAL7032)
Klippon® STB 1	120 x 120 x 80	1002690000	1058810000	1024970000
Klippon® STB 1.1	150 x 120 x 80	1002750000	1058820000	1024980000
Klippon® STB 2	150 x 150 x 90	1002740000	1058830000	1024990000
Klippon® STB 2.1	190 x 150 x 90	1002730000	1058840000	1025010000
Klippon® STB 3	190 x 190 x 100	1002720000	1058850000	1025020000
Klippon® STB 4	250 x 250 x 120	1002710000	1058860000	1025030000
Klippon® STB 5	160 x 380 x 120	1002700000	1058880000	1025040000
Klippon® STB 6	250 x 400 x 130	1002760000	1058870000	1025050000

Note

Technical Overview

Features

- Mirror-polished or electropolished stainless steel 1.4404 (316L) or powder coated steel sheet 1.0330
- Fitted with a welded, internal C-profile rail (TAS 20) and mounting feet
- Laser cut weld seams
- Approved according to the latest international norms

Note We deliver enclosures through our assembly service which are ready to be connected and suitable for every application

Technical data

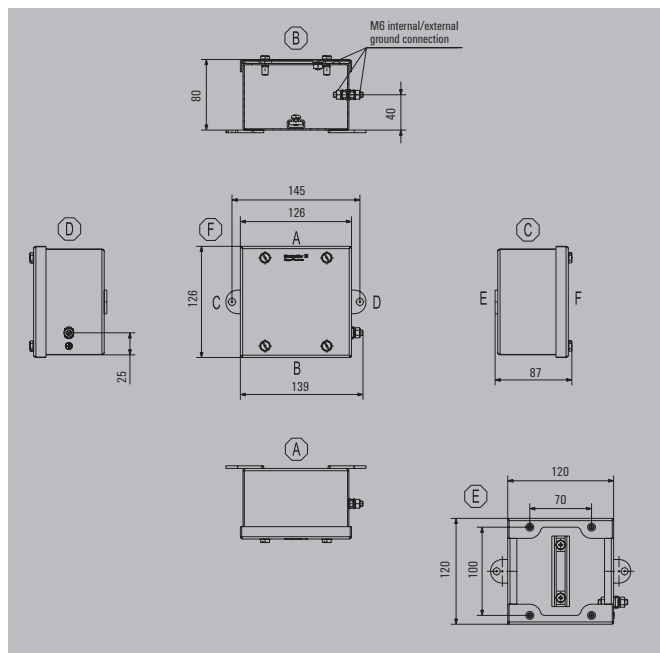
	Stainless steel	Sheet steel
Enclosure material	Stainless steel 1.4404 (316L) in 1.50 mm	Steel sheet 1.0330 in 1.50 mm
Surface finish	Mirror-polished, electropolished	Powder-coated RAL 7032
IP protection class	IP 66	IP 66
NEMA Rating	4, 4x	
Earthing	Enclosure base part: internal / external M6 stainless steel Lid: M6 x 10 stainless steel	Enclosure base part: internal / external M6 stainless steel Lid: M6 x 10 stainless steel
Installation mounting	Welded C-profile rail	Welded C-profile rail
Enclosure attachment	2 external mounting feet with 8 mm holes	2 external mounting feet with 8 mm holes
Lid opening	Completely removable lid with 4 x M5 screws	Completely removable lid with 4 x M5 screws
Impact resistance	7J ATEX to IEC 60079-0	10J industrial version to DIN EN 50102
Gasket material	Silicone -60 °C...+120 °C	Silicone -60 °C...+120 °C
Lid screws, torque*	2.5 Nm	2.5 Nm
Note	* To secure the lid, please use our hexagonal socket wrench with a 10 mm socket (9009070000)	

Approvals for empty enclosures

	Stainless steel	Sheet steel
ATEX certificate	IBExU07ATEX1147 U	
ATEX marking	II 2G Ex e IIC TX Gb, II 2(1)G Ex e ia IIC TX Gb or II 1G Ex ia IIC TX Ga, II 2D Ex tb IIIC TX Db IP6X	
IECEX certificate	IECEX IBE 09.0018U	
IECEX marking	Ex e IIC Gb, Ex ia IIC Ga, Ex tb IIIC Db IP6X	
AEx	E223792	
cULus	E197061 and E256877	
KOSHA	16-AV4B0-247X	
Lloyds Register	08/20032	08/20032
DNV GL	59 358 - 08 HH	
Russian Maritime Register	15.40041.250	15.40041.250
INMETRO	IEx 13.0002U	
EAC	RUC-DE.08.B.00472	
Note	This enclosure range is component certified. If other electrical components are inserted into the case, additional certification is required.	

Approvals for control and distribution box

	Stainless steel		
ATEX certificate	IBExU07ATEX1148	INMETRO certificate	IEx 13.0003
ATEX marking	II 2G Ex e IIC TX Gb, II 2(1)G Ex e ia IIC TX Gb or II 1G Ex ia IIC TX Ga, II 2D Ex tb IIIC TX Db IP6X	INMETRO marking	Ex e IIC T* Gb Ex e [ia Ga] IIC T* Gb Ex ia IIC T* Ga Ex tb IIIC T* Db IP66
IECEX certificate	IECEX IBE 09.0019	EAC certificate	RUC-DE.08.B.01328
IECEX marking	Ex e IIC TX Gb Ex e [ia Ga] IIC TX Gb Ex ia IIC TX Ga Ex tb IIIC TX Db IP6x	EAC marking	II 2 G Ex e IIC T6...T4 Gb, II 2(1) G Ex e [ia Ga] IIC T6...T4 Gb, II 1 G Ex ia IIC T6...T4 Ga, II 2 D Ex tb IIIC T80°C...T130°C Db
AEx certificate	E223792	AEx marking	Class I, Zone 1, AEx e IIC Gb T6...T4 Class I, Zone 2, AEx e IIC Gc T6...T4 Class I Div.2 Group A,B,C,D T6...T4 Class II Div.2 Group F,G Zone 21, AEx tb IIIC Db
Note	If you have specific requirements for equipment operating in explosive hazard areas, please contact us at Weidmüller to receive a full copy of the certification. For details of power dissipation, please contact your Weidmüller representative.		



Height / Width / Depth 120 / 120 / 80 mm

Ordering data

Stainless steel 1.4404 (316L)	Order No.
mirror-polish	1002690000
electropolished	1058810000
Sheet steel, powder-coated (RAL 7032)	Order No.
powder-coated	1024970000

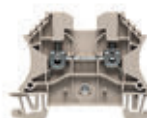
Note The colours of painted enclosures may vary under certain circumstances.

Accessories

Sliding fixing nut with screw	Order No.
M5	0433500000
Compensating element	Order No.
Polyamide 6, M12	1868570000
Stainless steel 1.4305, M12	1868550000
Stainless steel 1.4404, M20 for Ex applications	1344630000
Socket wrench	Order No.
M10 socket wrench	9009070000

Max. number of terminals (industry)

Assembly with terminal	vertical	horizontal
2.5 mm ²	1x17	
4 mm ²	1x14	
6 mm ²	1x11	
10 mm ²	1x8	
16 mm ²	1x7	



Note The mounting rails are designed to be installed directly. Assembly with terminals provides for 10 mm clearance to the ends of the mounting rail. Recommended order: TS 35 mounting rail (screw terminal) WDU 2.5 1020000000 / (tension clamp terminal) ZDU 2.5 1608510000 TS 32 mounting rail (screw terminal) SAK 2.5 0279660000 TS 15 mounting rail (screw terminal) AKZ 2.5 0697160000

Number of cable entries

Number of cable entries	A / B	C / D
M12	10	8
M16	6	4
M20	6	4
M25	3	2
M32	2	1
M40	2	1
M50		
M63		

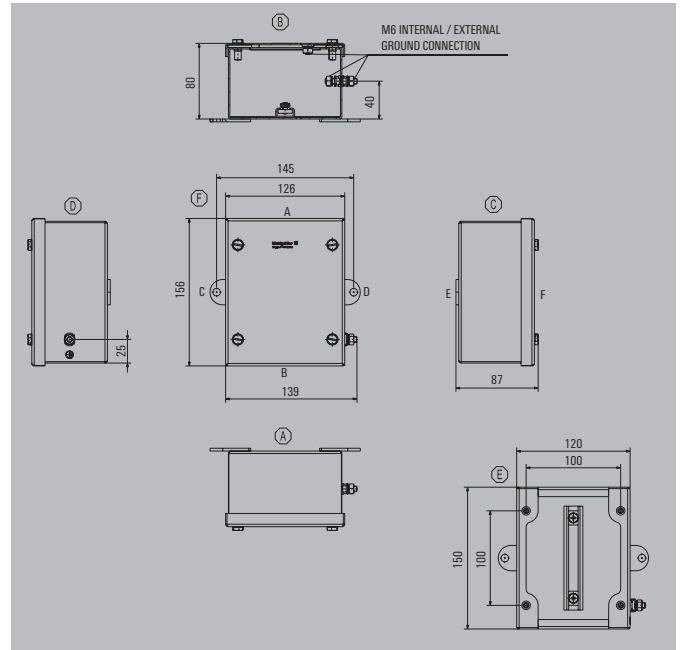


Note

Note The enclosure is supplied with a set of sliding fixing nuts, washer, screws M5, to fix the mounting rail TS 35 or TS 32 into the C-Profile.

Klippon® STB 1.1

Depth **80 mm**



Height / Width / Depth 150 / 120 / 80 mm

Ordering data

Material	Finish	Order No.
Stainless steel 1.4404 (316L)	mirror-polish	1002750000
	electropolished	1058820000
Sheet steel, powder-coated (RAL 7032)	powder-coated	1024980000

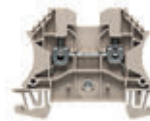
Note The colours of painted enclosures may vary under certain circumstances.

Accessories

Accessory	Order No.
Sliding fixing nut with screw	M5 0433500000
Compensating element	Polyamide 6, M12 1868570000
	Stainless steel 1.4305, M12 1868550000
	Stainless steel 1.4404, M20 for Ex applications 1344630000
Socket wrench	M10 socket wrench 9009070000

Max. number of terminals (industry)

Assembly with terminal	vertical	horizontal
2.5 mm ²	1x23	
4 mm ²	1x19	
6 mm ²	1x14	
10 mm ²	1x11	
16 mm ²	1x9	



Note The mounting rails are designed to be installed directly. Assembly with terminals provides for 10 mm clearance to the ends of the mounting rail. Recommended order: TS 35 mounting rail (screw terminal) WDU 2.5 1020000000 / (tension clamp terminal) ZDU 2.5 1608510000 TS 32 mounting rail (screw terminal) SAK 2.5 0279660000 TS 15 mounting rail (screw terminal) AKZ 2.5 0697160000

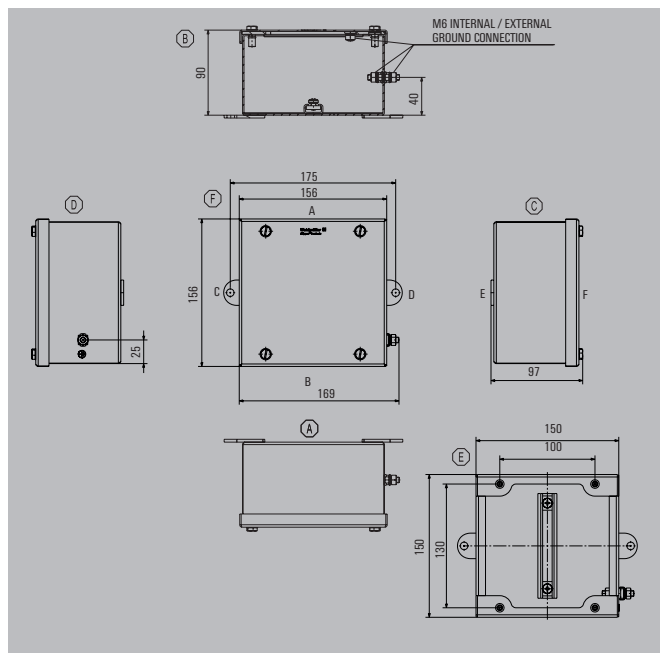
Number of cable entries

Number of cable entries	A / B	C / D
M12	10	10
M16	6	6
M20	6	6
M25	3	2
M32	2	2
M40	2	1
M50		
M63		

Note



Note The enclosure is supplied with a set of sliding fixing nuts, washer, screws M5, to fix the mounting rail TS 35 or TS 32 into the C-Profile.



Height / Width / Depth 150 / 150 / 90 mm

Ordering data

Stainless steel 1.4404 (316L)	Order No.
mirror-polish	1002740000
electropolished	1058830000
Sheet steel, powder-coated (RAL 7032)	Order No.
powder-coated	1024990000

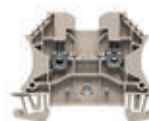
Note The colours of painted enclosures may vary under certain circumstances.

Accessories

Sliding fixing nut with screw	Order No.
M5	0433500000
Compensating element	Order No.
Polyamide 6, M12	1868570000
Stainless steel 1.4305, M12	1868550000
Stainless steel 1.4404, M20 for Ex applications	1344630000
Socket wrench	Order No.
M10 socket wrench	9009070000

Max. number of terminals (industry)

Assembly with terminal	vertical	horizontal
2.5 mm ²	1x23	
4 mm ²	1x19	
6 mm ²	1x14	
10 mm ²	1x11	
16 mm ²	1x9	



Note The mounting rails are designed to be installed directly. Assembly with terminals provides for 10 mm clearance to the ends of the mounting rail. Recommended order: TS 35 mounting rail (screw terminal) WDU 2.5 1020000000 / (tension clamp terminal) ZDU 2.5 1608510000 TS 32 mounting rail (screw terminal) SAK 2.5 0279660000 TS 15 mounting rail (screw terminal) AKZ 2.5 0697160000

Number of cable entries

Number of cable entries	A / B	C / D
M12	15	15
M16	10	8
M20	8	6
M25	3	2
M32	3	2
M40	2	2
M50	1	1
M63		

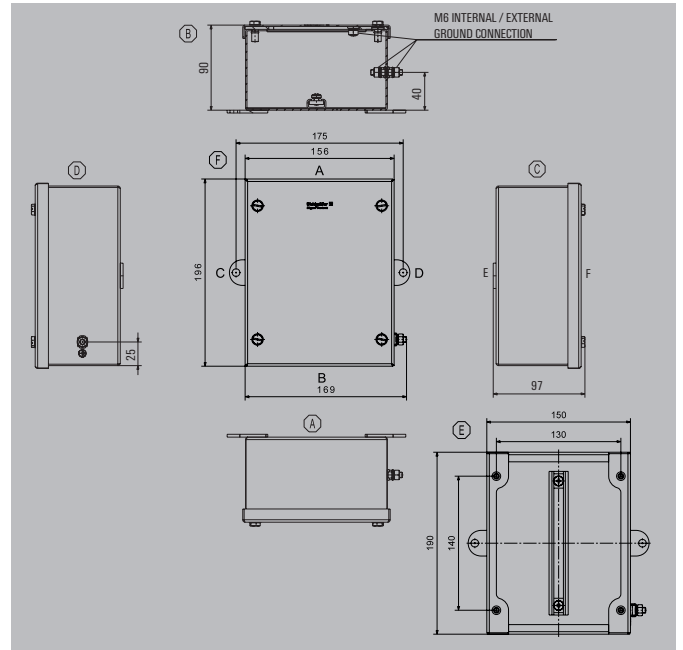


Note

Note The enclosure is supplied with a set of sliding fixing nuts, washer, screws M5, to fix the mounting rail TS 35 or TS 32 into the C-Profile.

Klippon® STB 2.1

Depth **90 mm**



Height / Width / Depth 190 / 150 / 90 mm

Ordering data

Material	Finish	Order No.
Stainless steel 1.4404 (316L)	mirror-polish	1002730000
	electropolished	1058840000
Sheet steel, powder-coated (RAL 7032)	powder-coated	1025010000

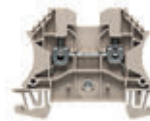
Note The colours of painted enclosures may vary under certain circumstances.

Accessories

Accessory	Order No.	
Sliding fixing nut with screw		
	M5 0433500000	
Compensating element		
	Polyamide 6, M12	1868570000
	Stainless steel 1.4305, M12	1868550000
	Stainless steel 1.4404, M20 for Ex applications	1344630000
Socket wrench		
	M10 socket wrench	9009070000

Max. number of terminals (industry)

Assembly with terminal	vertical	horizontal
	2.5 mm ²	1x30
	4 mm ²	1x25
	6 mm ²	1x20
	10 mm ²	1x15
	16 mm ²	1x13



Note The mounting rails are designed to be installed directly. Assembly with terminals provides for 10 mm clearance to the ends of the mounting rail. Recommended order: TS 35 mounting rail (screw terminal) WDU 2.5 1020000000 / (tension clamp terminal) ZDU 2.5 1608510000 TS 32 mounting rail (screw terminal) SAK 2.5 0279660000 TS 15 mounting rail (screw terminal) AKZ 2.5 0697160000

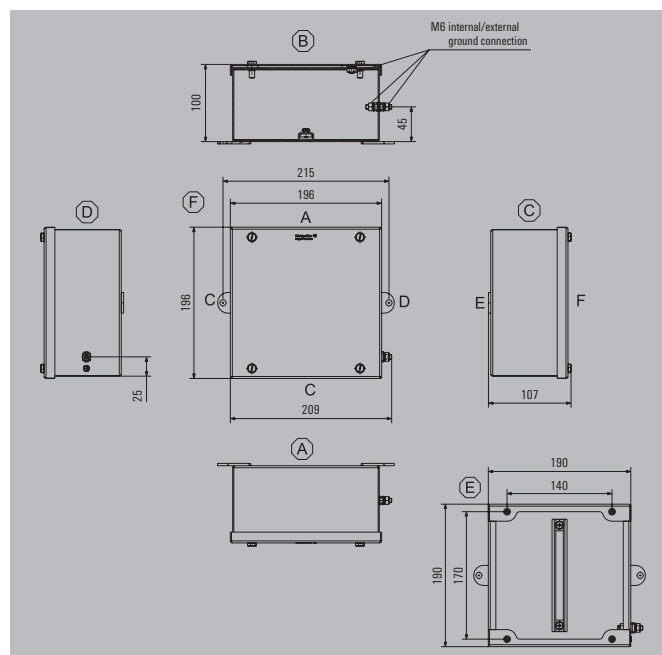
Number of cable entries

Number of cable entries	A / B	C / D
M12	15	18
M16	10	10
M20	8	10
M25	3	3
M32	3	3
M40	2	2
M50	1	1
M63		



Note

Note The enclosure is supplied with a set of sliding fixing nuts, washer, screws M5, to fix the mounting rail TS 35 or TS 32 into the C-Profile.



Height / Width / Depth 190 / 190 / 100 mm

Ordering data

Stainless steel 1.4404 (316L)	Order No.
mirror-polish	1002720000
electropolished	1058850000
Sheet steel, powder-coated (RAL 7032)	Order No.
powder-coated	1025020000

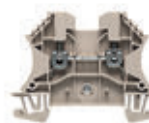
Note The colours of painted enclosures may vary under certain circumstances.

Accessories

Sliding fixing nut with screw	Order No.
M5	0433500000
Compensating element	Order No.
Polyamide 6, M12	1868570000
Stainless steel 1.4305, M12	1868550000
Stainless steel 1.4404, M20 for Ex applications	1344630000
Socket wrench	Order No.
M10 socket wrench	9009070000

Max. number of terminals (industry)

Assembly with terminal	vertical	horizontal
2.5 mm ²	1x30	
4 mm ²	1x25	
6 mm ²	1x20	
10 mm ²	1x15	
16 mm ²	1x13	



Note The mounting rails are designed to be installed directly. Assembly with terminals provides for 10 mm clearance to the ends of the mounting rail. Recommended order: TS 35 mounting rail (screw terminal) WDU 2.5 1020000000 / (tension clamp terminal) ZDU 2.5 1608510000 TS 32 mounting rail (screw terminal) SAK 2.5 0279660000 TS 15 mounting rail (screw terminal) AKZ 2.5 0697160000

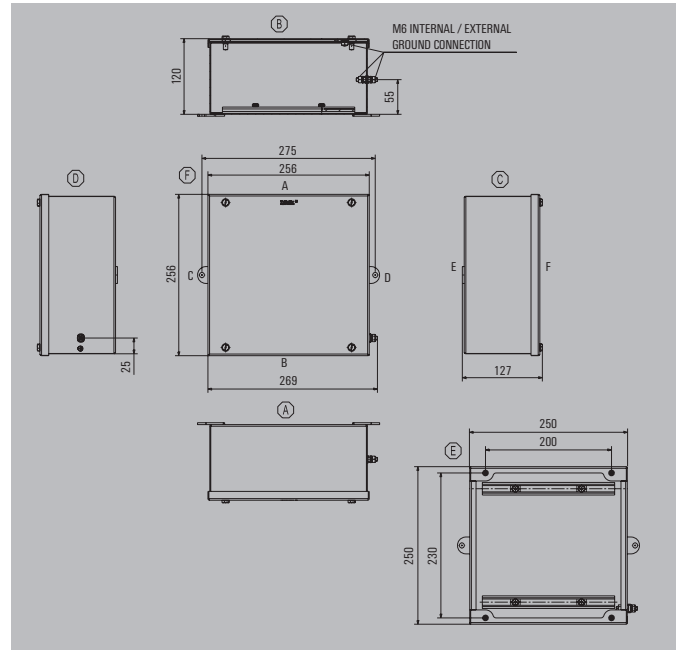
Number of cable entries

Number of cable entries	A / B	C / D
M12	21	21
M16	15	15
M20	10	8
M25	8	6
M32	3	3
M40	3	2
M50	2	1
M63	1	



Note

Note The enclosure is supplied with a set of sliding fixing nuts, washer, screws M5, to fix the mounting rail TS 35 or TS 32 into the C-Profile.



Height / Width / Depth 250 / 250 / 120 mm

Ordering data

Stainless steel 1.4404 (316L)	Order No.
mirror-polish	1002710000
electropolished	1058860000
Sheet steel, powder-coated (RAL 7032)	Order No.
powder-coated	1025030000

Note The colours of painted enclosures may vary under certain circumstances.

Accessories

Sliding fixing nut with screw	Order No.
M5	0433500000
Compensating element	Order No.
Polyamide 6, M12	1868570000
Stainless steel 1.4305, M12	1868550000
Stainless steel 1.4404, M20 for Ex applications	1344630000
Socket wrench	Order No.
M10 socket wrench	9009070000

Max. number of terminals (industry)

Assembly with terminal	vertical	horizontal
2.5 mm ²	2x42	2x42
4 mm ²	2x35	2x35
6 mm ²	2x27	2x27
10 mm ²	2x22	2x22
16 mm ²	2x18	2x18



Note The mounting rails are designed to be installed directly. Assembly with terminals provides for 10 mm clearance to the ends of the mounting rail. Recommended order: TS 35 mounting rail (screw terminal) WDU 2.5 1020000000 / (tension clamp terminal) ZDU 2.5 1608510000 TS 32 mounting rail (screw terminal) SAK 2.5 0279660000 TS 15 mounting rail (screw terminal) AKZ 2.5 0697160000

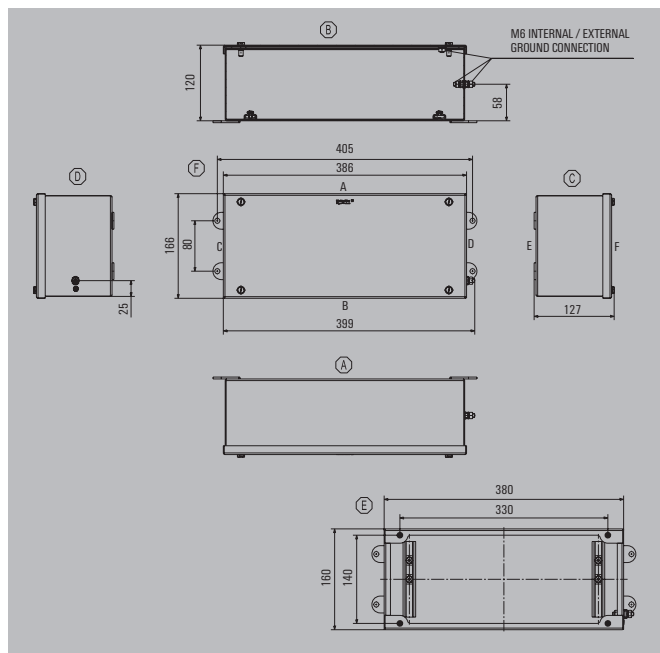
Number of cable entries

Number of cable entries	A / B	C / D
M12	24	24
M16	21	21
M20	12	12
M25	10	10
M32	8	8
M40	3	3
M50	3	2
M63	2	1

Note



Note The enclosure is supplied with a set of sliding fixing nuts, washer, screws M5, to fix the mounting rail TS 35 or TS 32 into the C-Profile.



Height / Width / Depth 160 / 380 / 120 mm

Ordering data

Material / Finish	Order No.
Stainless steel 1.4404 (316L)	
mirror-polish	1002700000
electropolished	1058880000
Sheet steel, powder-coated (RAL 7032)	
powder-coated	1025040000

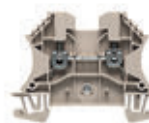
Note The colours of painted enclosures may vary under certain circumstances.

Accessories

Accessory	Order No.
Sliding fixing nut with screw	
M5	0433500000
Compensating element	
Polyamide 6, M12	1868570000
Stainless steel 1.4305, M12	1868550000
Stainless steel 1.4404, M20 for Ex applications	1344630000
Socket wrench	
M10 socket wrench	9009070000

Max. number of terminals (industry)

Assembly with terminal	vertical	horizontal
2.5 mm ²	3x25	1x68
4 mm ²	3x21	1x57
6 mm ²	3x16	1x44
10 mm ²	3x12	1x35
16 mm ²	3x10	1x29



Note The mounting rails are designed to be installed directly. Assembly with terminals provides for 10 mm clearance to the ends of the mounting rail. Recommended order: TS 35 mounting rail (screw terminal) WDU 2.5 1020000000 / (tension clamp terminal) ZDU 2.5 1608510000 TS 32 mounting rail (screw terminal) SAK 2.5 0279660000 TS 15 mounting rail (screw terminal) AKZ 2.5 0697160000

Number of cable entries

Number of cable entries	A / B	C / D
M12	64	20
M16	33	12
M20	30	12
M25	16	6
M32	10	4
M40	6	2
M50	4	1
M63	2	1

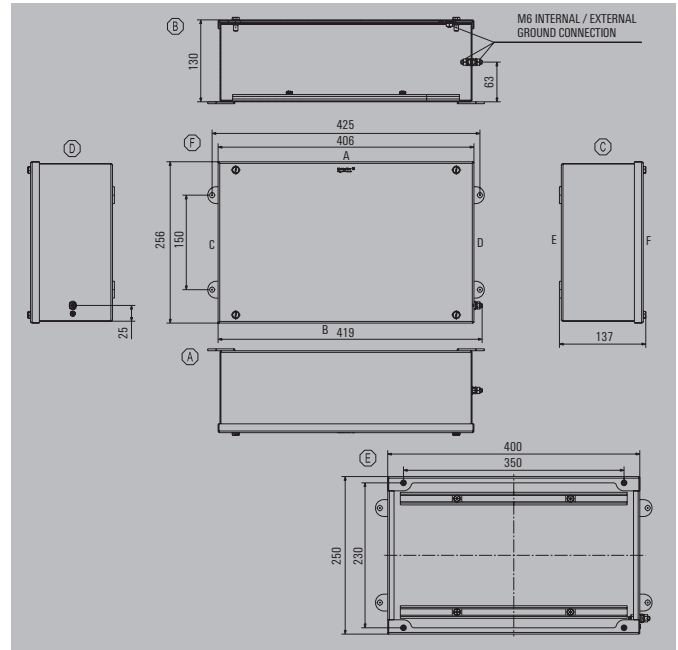


Note

Note The enclosure is supplied with a set of sliding fixing nuts, washer, screws M5, to fix the mounting rail TS 35 or TS 32 into the C-Profile.

Klippon® STB 6

Depth **130 mm**



Height / Width / Depth 250 / 400 / 130 mm

Ordering data

Stainless steel 1.4404 (316L)	Order No.
mirror-polish	1002760000
electropolished	1058870000
Sheet steel, powder-coated (RAL 7032)	Order No.
powder-coated	1025050000

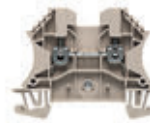
Note The colours of painted enclosures may vary under certain circumstances.

Accessories

Sliding fixing nut with screw	Order No.
M5	0433500000
Compensating element	Order No.
Polyamide 6, M12	1868570000
Stainless steel 1.4305, M12	1868550000
Stainless steel 1.4404, M20 for Ex applications	1344630000
Socket wrench	Order No.
M10 socket wrench	9009070000

Max. number of terminals (industry)

Assembly with terminal	vertical	horizontal
2.5 mm ²	3x42	2x72
4 mm ²	3x35	2x60
6 mm ²	3x27	2x46
10 mm ²	3x22	2x37
16 mm ²	3x18	2x30



Note The mounting rails are designed to be installed directly. Assembly with terminals provides for 10 mm clearance to the ends of the mounting rail. Recommended order: TS 35 mounting rail (screw terminal) WDU 2.5 1020000000 / (tension clamp terminal) ZDU 2.5 1608510000 TS 32 mounting rail (screw terminal) SAK 2.5 0279660000 TS 15 mounting rail (screw terminal) AKZ 2.5 0697160000

Number of cable entries

Number of cable entries	A / B	C / D
M12	64	36
M16	33	21
M20	30	18
M25	16	10
M32	10	8
M40	6	3
M50	4	2
M63	2	2



Note

Note The enclosure is supplied with a set of sliding fixing nuts, washer, screws M5, to fix the mounting rail TS 35 or TS 32 into the C-Profile.

Klippon® K – Aluminium enclosures

Klippon® K-Series aluminium enclosures can be used in a variety of applications, e.g. for the assembly of modular terminal blocks, switches, power supplies, operational and display elements or electronic modules.

The extensive Klippon® K enclosure range has the following advantages:

- More flexibility – 19 different sizes
- Available in two surface finishes – powder-coated and natural
- Mounting holes not within the sealed area
- Fastening thread to attach mounting rails and plates
- Closed moulded gasket (no glue seam)

Weidmüller manufactures and supplies the enclosures to match customer specifications – fully fitted with terminal boxes, electronics and cable glands.



Overview of enclosures

Ordering data

Description	Height x width x depth in mm	Powder-coated (RAL 7001)			Unpainted		
		Standard		Ex enclosure	Standard		Ex enclosure
		CR moulded seal	Silicone moulded seal*	Silicone moulded seal	CR moulded seal	Silicone moulded seal*	Silicone moulded seal
Klippon® K 0	45 x 50 x 30	9529090000	1937920000		0573200000	1939760000	
Klippon® K 01	64 x 58 x 34	9529100000	1937850000		1565240000	1939540000	
Klippon® K 02	64 x 98 x 34	9529110000	1937840000		1565250000	1939550000	
Klippon® K 1	70 x 70 x 45	9529120000	1937630000	1329630000	0342000000	1939560000	9526840000
Klippon® K 11	80 x 75 x 57	9529130000	1937910000	1329640000	0573300000	1939570000	9526850000
Klippon® K 2	70 x 100 x 45	9529140000	1937930000	1329650000	0342100000	1939580000	9526860000
Klippon® K 21	80 x 125 x 57	9529150000	1937830000	1328120000	0573400000	1939590000	9526870000
Klippon® K 3	70 x 165 x 45	9529160000	1937900000	1329670000	0342200000	1939600000	9526880000
Klippon® K 31	80 x 175 x 57	9529170000	1937820000	1329680000	0573500000	1939610000	9526890000
Klippon® K 32	80 x 250 x 55	9529180000	1937810000	1329690000	1565260000	1939620000	9526900000
Klippon® K 4	82 x 130 x 72	9529190000	1937890000	1329700000	0342300000	1939630000	9526910000
Klippon® K 41	120 x 122 x 81	9529200000	1937800000	1329710000	1565270000	1939640000	9526920000
Klippon® K 5	130 x 170 x 90	9529210000	1937860000	1329720000	0342400000	1939650000	9526930000
Klippon® K 51	120 x 220 x 81	9529220000	1937750000	1328130000	1565280000	1939660000	9526940000
Klippon® K 52	160 x 160 x 91	9529230000	1937740000	1329730000	1565290000	1939670000	9526950000
Klippon® K 6	160 x 200 x 100	9529240000	1937870000	1329740000	0342500000	1939690000	9526960000
Klippon® K 61	160 x 260 x 91	9529250000	1937730000	1328140000	0573600000	1939700000	9526970000
Klippon® K 7	160 x 350 x 100	9529260000	1937880000	1329750000	0342600000	1939710000	9526980000
Klippon® K 71	230 x 280 x 111	9529270000	1937720000	1329770000	0573700000	1939730000	9526990000

Note *Delivery time on request

Technical Overview

Features

- Two surfaces: natural and powder-coated
- High IP protection up to IP 68
- Moulded silicone gasket for applications with high temperatures
- A uniform Torx®-slotted screw head is used for over 19 different enclosure sizes.
- Alloy is resistant to salt water
- Approved according to the latest international standards

Note We deliver enclosures through our assembly service which are ready to be connected and suitable for every application

Technical data

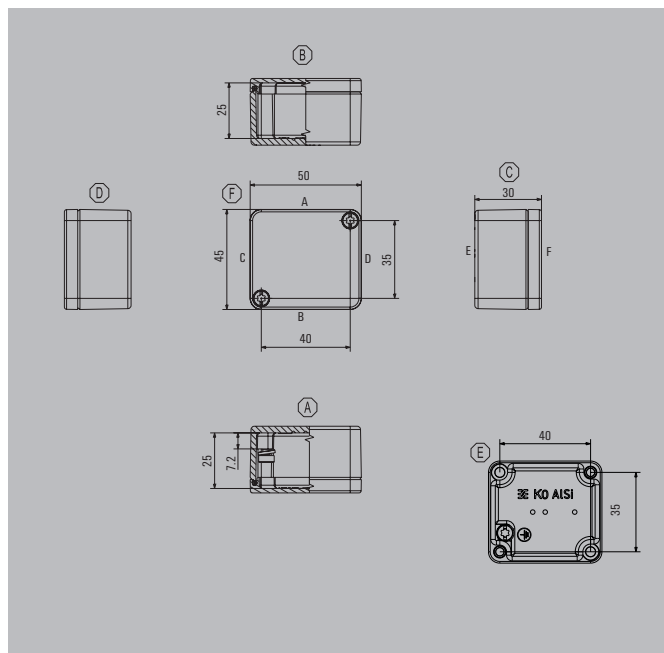
	Ex	Standard
Enclosure material	High quality aluminium alloy (Al-Si12)	High quality aluminium alloy (Al-Si12)
Surface, untreated	Smooth	Smooth
Surface, painted	Silver grey, textured, similar to RAL 7001	Silver grey, textured, similar to RAL 7001
Painting	50-90 µm paint thickness	50-90 µm paint thickness
IP protection class	IP 66, IP 67	IP 66, IP 67 and IP 68*
NEMA		4, 4x
Earthing outside	Earthing studs, M4	
Installation mounting	Flexible DIN rail mounting	Flexible DIN rail mounting
Enclosure mounting	Direct mounting with optional mounting brackets (from a size of 120 x 122 x 81 Klippon® K 41)	Direct mounting with optional mounting brackets (from a size of 120 x 122 x 81 Klippon® K 41)
Lid fixing	Captive stainless steel Torx® 20 or slotted screws.	Captive stainless steel Torx® 20 or slotted screws.
Impact resistance	7J to IEC 60079-0	10J to DIN EN 50102
Gasket material	Silicone (VMQ)	Chloroprene / Silicone (VMQ)
Temperature range	-60 °C...+135 °C	-40 °C...+80 °C with chloroprene gasket / -60 °C...+135 °C with silicone gasket
Lid screws, torque**	2.5 Nm	2.5 Nm
Note	* (t=72h; h=1m) ** To secure the lid we recommend the use of our Torx® TH20 screwdriver (9009160000) Depending on the screw head size, our slotted screwdriver may also be used as an alternative	

Approvals for empty enclosures

	Ex	Standard
ATEX certificate	IBExU12ATEX1144 U	
ATEX marking	II 2G Ex e IIC Gb or II 2G Ex eb IIC II 2D Ex t IIIC Db or II 2D Ex tb IIIC	
IECEX certificate	IECEX IBE 13.0001U	
IECEX marking	Ex e IIC Gb or Ex eb IIC Ex tb IIIC Db or Ex tb IIIC	
EAC	RUC-DE.08.B.00472	RUC-DE.08.B.00472
cULus		E197061
Russian Maritime Register	14.40040.250	14.40040.250
Germanischer Lloyd	4453607 HH	4453607 HH
Installation	The Klippon® K enclosure range can be pre-fitted in our customer specific production department according to your wishes.	
Note	This enclosure range is component certified. If other electrical components are inserted into the case, additional certification is required.	

Approvals for control and distribution box

	Ex			
ATEX certificate	IBExU12ATEX1145 X		EAC certificate	RUC-DE.08.B.01328
ATEX marking	II 2G Ex e IIC T6...T4 Gb or II 2G Ex eb IIC T6...T4 II 2G Ex ia IIC T6...T4 Gb or II 2 Ex ia IIC T6...T4 II 2(1)G Ex e ia IIC T6...T4 Gb or II 2(1)G Ex eb ia IIC T6...T4 II 2D Ex t IIIC T85°C...135°C Db or II 2 D Ex tb IIIC T85°C...135°C		EAC marking	II 2 G Ex eb IIC T6... T4 II 2 G Ex e IIC T6... T4 Gb II 2 G Ex ia IIC T6... T4 II 2 G Ex ia IIC T6... T4 Gb II 2(1) G Ex eb ia IIC T6... T4 II 2(1) G Ex e ia IIC T6... T4 Gb II 2 D Ex tb IIIC T85°C...T135°C II 2 D Ex tb IIIC T85°C...T135°C Db
IECEX certificate	IECEX IBE 13.0002X			
IECEX marking	Ex e IIC T6...T4 Gb or Ex eb IIC T6...T4 Ex ia IIC T6...T4 Gb Ex e ia IIC T6...T4 Gb Ex tb IIIC T85°C...135°C Db or Ex tb IIIC T85°C...135°C			
Note	If you have specific requirements for equipment operating in explosive hazard areas, please contact us at Weidmüller to receive a full copy of the certification. For details of power dissipation, please contact your Weidmüller representative.			



Height / Width / Depth 45 / 50 / 30 mm



Ordering data

powder-coated (RAL 7001)	Order No.
Standard (CR seal)	9529090000
Standard (silicone seal)	1937920000
unpainted	Order No.
Standard (CR seal)	0573200000
Standard (silicone seal)	1939760000
Note	The colours of painted enclosures may vary under certain circumstances.

Accessories









Torx® screwdriver	Order No.
uninsulated, Torx® TH20	9009160000
Compensating element	Order No.
Polyamide 6, M12	1868570000
Stainless steel 1.4305, M12	1868550000

Max. number of terminals (industry)

Assembly with terminal	vertical	horizontal
	2.5 mm² 1x1*	1x1*
	4 mm² 1x1*	1x1*
	6 mm²	
	10 mm²	
	16 mm²	

Note *Please refer to the Terminal Block catalogue or the SAK Series for more information about assembling the enclosures with terminal blocks. There are no prescribed possible attachment points in the enclosure.

Number of cable entries

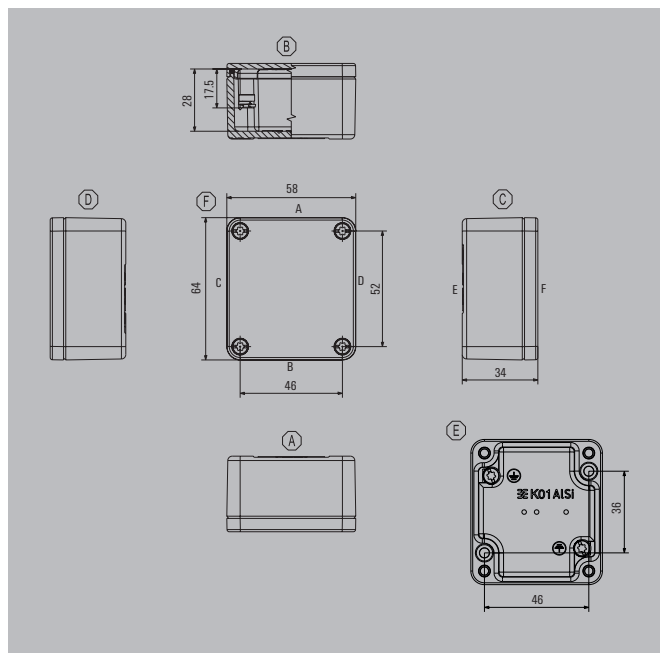
Number of cable entries	A / B	C / D
	M12 1	1
	M16 1	1
	M20	
	M25	
	M32	
	M40	
	M50	
	M63	

Note Our IP68 brass cable glands are used as the reference for these guideline values.

Note Helicoil for outdoor applications, available ex-works.

Klippon® K 01

Depth **34 mm**



Height / Width / Depth 64 / 58 / 34 mm



Ordering data

powder-coated (RAL 7001)	Order No.
Standard (CR seal)	9529100000
Standard (silicone seal)	1937850000
unpainted	Order No.
Standard (CR seal)	1565240000
Standard (silicone seal)	1939540000
Note	The colours of painted enclosures may vary under certain circumstances.

Accessories









Torx® screwdriver	Order No.
uninsulated, Torx® TH20	9009160000
Compensating element	Order No.
Polyamide 6, M12	1868570000
Stainless steel 1.4305, M12	1868550000

Max. number of terminals (industry)

Assembly with terminal	vertical	horizontal
	1x1*	1x1*
	1x1*	1x1*
	6 mm²	
	10 mm²	
	16 mm²	

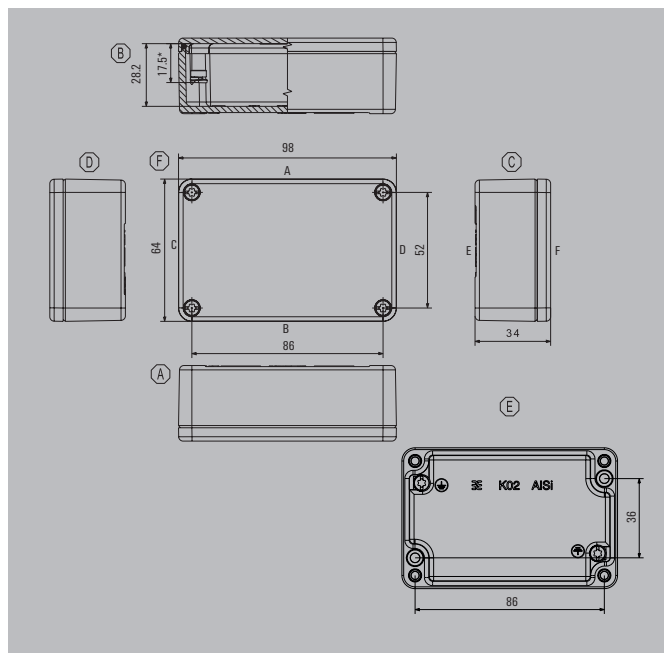
Note *Please refer to the Terminal Block catalogue or the SAK Series for more information about assembling the enclosures with terminal blocks. There are no prescribed possible attachment points in the enclosure.

Number of cable entries

Number of cable entries	A / B	C / D
	1	1
	1	1
		
		
		
		
		
		

Note Our IP68 brass cable glands are used as the reference for these guideline values.

Note Helicoil for outdoor applications, available ex-works.



Height / Width / Depth 64 / 98 / 34 mm



Ordering data

powder-coated (RAL 7001)		Order No.
	Standard (CR seal)	9529110000
	Standard (silicone seal)	1937840000
unpainted		
	Standard (CR seal)	1565250000
	Standard (silicone seal)	1939550000
Note	The colours of painted enclosures may vary under certain circumstances.	

Accessories




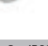




Torx®screwdriver		Order No.
	uninsulated, Torx® TH20	9009160000
Compensating element		
	Polyamide 6, M12	1868570000
	Stainless steel 1.4305, M12	1868550000
	Stainless steel 1.4404, M20 for Ex applications	1344630000

Max. number of terminals (industry)

Assembly with terminal	vertical	horizontal
	2.5 mm² 1x1*	1x1*
	4 mm² 1x1*	1x1*
	6 mm²	
	10 mm²	
	16 mm²	

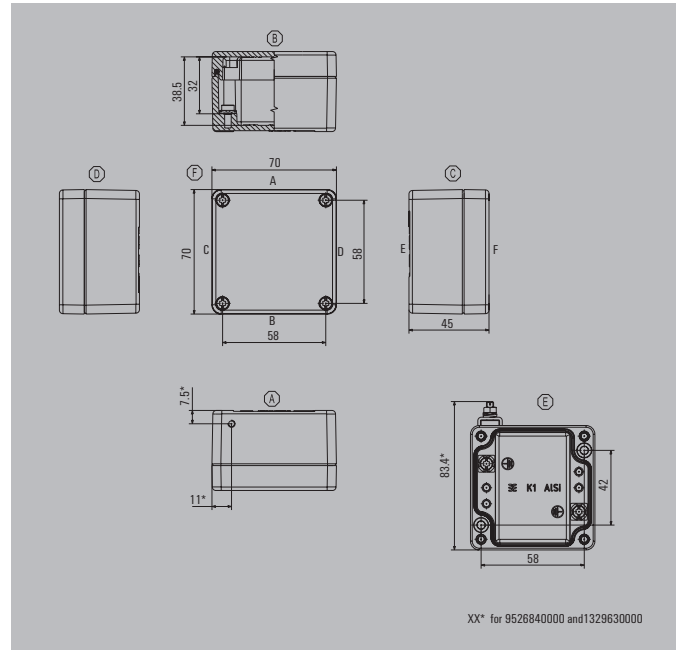
Note *Please refer to the Terminal Block catalogue or the SAK Series for more information about assembling the enclosures with terminal blocks. There are no prescribed possible attachment points in the enclosure.

Number of cable entries

Number of cable entries	A / B	C / D
	M12 3	1
	M16 3	1
	M20 2	
	M25	
	M32	
	M40	
	M50	
	M63	

Note Our IP68 brass cable glands are used as the reference for these guideline values.

Note Helicoil for outdoor applications, available ex-works.



Height / Width / Depth 70 / 70 / 45 mm

Ordering data

powder-coated (RAL 7001)	Order No.
Standard (CR seal)	9529120000
Standard (silicone seal)	1937630000
Ex enclosure (silicone seal)	1329630000
unpainted	Order No.
Standard (CR seal)	0342000000
Standard (silicone seal)	1939560000
Ex enclosure (silicone seal)	9526840000

Note The colours of painted enclosures may vary under certain circumstances.

Accessories

Terminal rail, Set	Order No.
15 mm width	1909980000
Mounting plate	Order No.
Steel sheet, zinc plated	1905280000
Torx®screwdriver	Order No.
uninsulated, Torx® TH20	9009160000
Earthing stud	Order No.
Brass, M6	1277250000
Stainless steel 1.4404, M6	1283430000
Compensating element	Order No.
Polyamide 6, M12	1868570000
Stainless steel 1.4305, M12	1868550000
Stainless steel 1.4404, M20 for Ex applications	1344630000

Note The accessory sets contain the necessary mounting materials. Helicoil for outdoor applications, available ex-works.

Max. number of terminals (industry)

Assembly with terminal	vertical	horizontal
2.5 mm ²	1x1*	1x5
4 mm ²	1x1*	1x1*
6 mm ²		
10 mm ²		
16 mm ²		

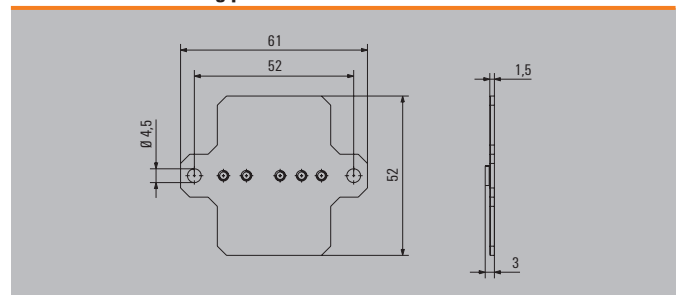
Note *Please refer to the Terminal Block Catalogue or the SAK Series for more information about populating the enclosures with terminal blocks. For vertical installations, we recommend using not more than one BK 4 or BK 4 CRN (0625120000). For horizontal installations with 2.5mm² 1x5 AKZ terminal blocks (only possible on a TS 15) for 4mm², use not more than one BK 4. There are no pre-defined mounting points set within this enclosure for installing internal equipment in a vertical position.

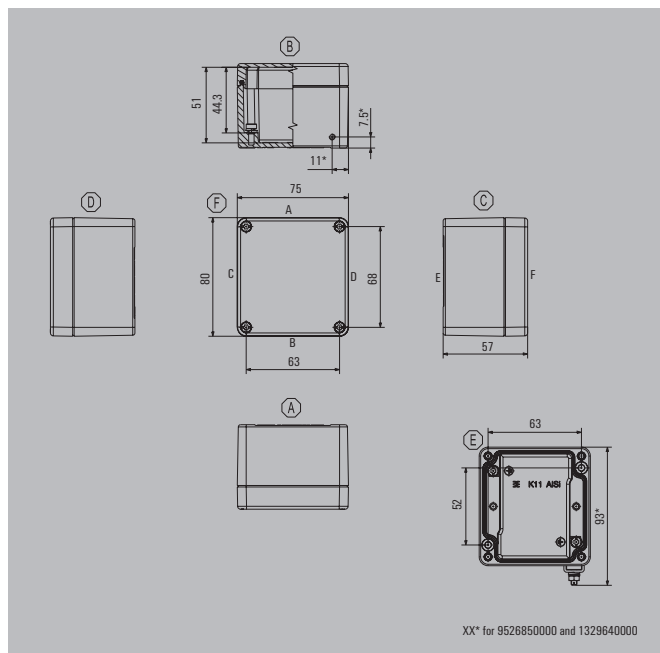
Number of cable entries

Number of cable entries	A / B	C / D
M12	2	1
M16	2	1
M20	1	
M25		
M32		
M40		
M50		
M63		

Note Our IP68 brass cable glands are used as the reference for these guideline values.

Dimensions of mounting plate





XX* for 9526850000 and 1329640000

Height / Width / Depth	80 / 75 / 57 mm
------------------------	-----------------

Ordering data

powder-coated (RAL 7001)	Order No.
Standard (CR seal)	9529130000
Standard (silicone seal)	1937910000
Ex enclosure (silicone seal)	1329640000
unpainted	Order No.
Standard (CR seal)	0573300000
Standard (silicone seal)	1939570000
Ex enclosure (silicone seal)	9526850000

Note The colours of painted enclosures may vary under certain circumstances.

Accessories

Terminal rail, Set	Order No.
15 mm width	1909990000
Mounting plate	Order No.
Steel sheet, zinc plated	3073000000
Hinge, diecast zinc, Set	Order No.
	1580360000
Torx®screwdriver	Order No.
uninsulated, Torx® TH20	9009160000
Earthing stud	Order No.
Brass, M6	1277250000
Stainless steel 1.4404, M6	1283430000
Compensating element	Order No.
Polyamide 6, M12	1868570000
Stainless steel 1.4305, M12	1868550000
Stainless steel 1.4404, M20 for Ex applications	1344630000

Note The accessory sets contain the necessary mounting materials. Necessary on use of 1 hinge per longitudinal side. Helicoil for outdoor applications, available ex-works.

Max. number of terminals (industry)

Assembly with terminal	vertical	horizontal
2.5 mm ²	1x1*	1x5
4 mm ²	1x1*	1x4
6 mm ²		
10 mm ²		
16 mm ²		



Note *Please refer to the Terminal Block Catalogue or the SAK Series for more information about populating the enclosures with terminal blocks. We recommend at most one BK 6 or BK 6 CRN (0625220000) in vertical installations. There are no pre-defined mounting points set within this enclosure for installing internal equipment in a vertical position.

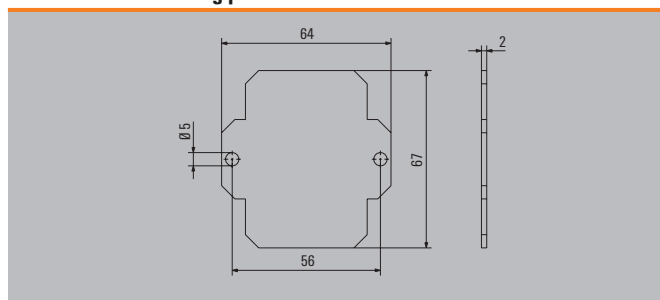
Number of cable entries

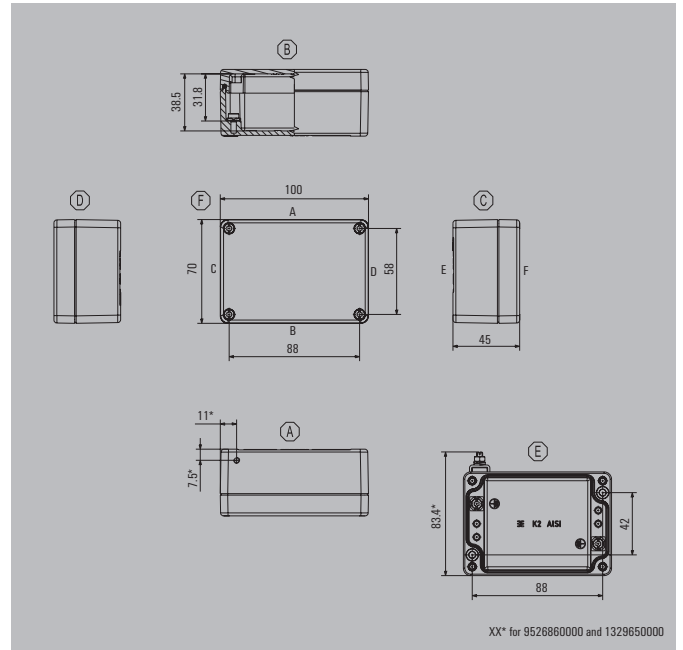
Number of cable entries	A / B	C / D
M12	2	2
M16	2	2
M20	1	1
M25	1	
M32		
M40		
M50		
M63		



Note Our IP68 brass cable glands are used as the reference for these guideline values.

Dimensions of mounting plate





Height / Width / Depth 70 / 100 / 45 mm

Ordering data

powder-coated (RAL 7001)		Order No.
	Standard (CR seal)	9529140000
	Standard (silicone seal)	1937930000
	Ex enclosure (silicone seal)	1329650000
unpainted		
	Standard (CR seal)	0342100000
	Standard (silicone seal)	1939580000
	Ex enclosure (silicone seal)	9526860000
Note	The colours of painted enclosures may vary under certain circumstances.	

Accessories

Terminal rail, Set		Order No.
	15 mm width	1910010000
Mounting plate		
	Steel sheet, zinc plated	1905270000
Torx®screwdriver		
	uninsulated, Torx® TH20	9009160000
Earthing stud		
	Brass, M6	1277250000
	Stainless steel 1.4404, M6	1283430000
Compensating element		
	Polyamide 6, M12	1868570000
	Stainless steel 1.4305, M12	1868550000
	Stainless steel 1.4404, M20 for Ex applications	1344630000

Note The accessory sets contain the necessary mounting materials. Helicoil for outdoor applications, available ex-works.

Max. number of terminals (industry)

Assembly with terminal	vertical	horizontal
	2.5 mm ²	*
	4 mm ²	*
	6 mm ²	
	10 mm ²	
	16 mm ²	

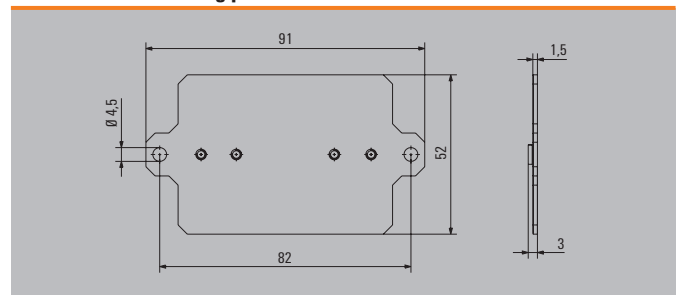
Note *Please refer to the Terminal Block Catalogue or the SAK Series for more information about populating the enclosures with terminal blocks. We recommend at most one BK 6 or BK 6 CRN (0625220000) for vertical installations. There are no pre-defined mounting points set within this enclosure for installing internal equipment in a vertical position.

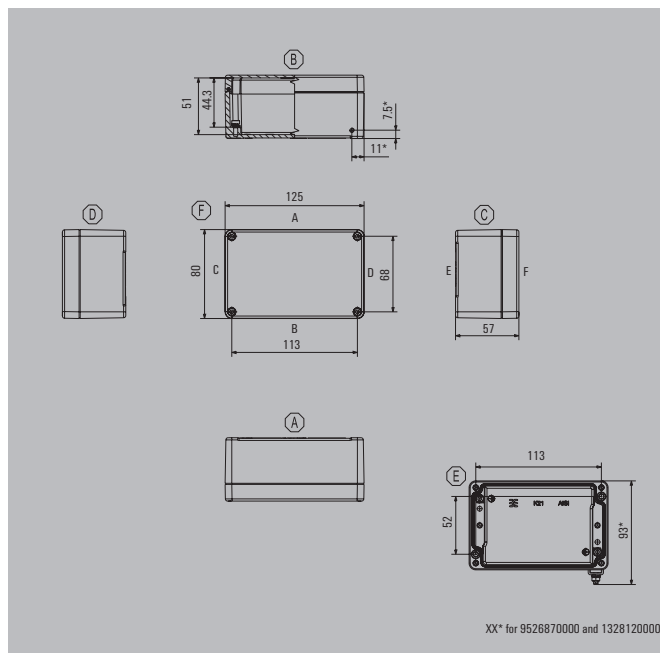
Number of cable entries

Number of cable entries	A / B	C / D
	M12	3
	M16	3
	M20	2
	M25	
	M32	
	M40	
	M50	
	M63	

Note Our IP68 brass cable glands are used as the reference for these guideline values.

Dimensions of mounting plate





Height / Width / Depth 80 / 125 / 57 mm

Ordering data

powder-coated (RAL 7001)	Order No.
Standard (CR seal)	9529150000
Standard (silicone seal)	1937830000
Ex enclosure (silicone seal)	1328120000
unpainted	Order No.
Standard (CR seal)	0573400000
Standard (silicone seal)	1939590000
Ex enclosure (silicone seal)	9526870000

Note The colours of painted enclosures may vary under certain circumstances.

Accessories

Terminal rail, Set	Order No.
15 mm width	1910020000
Mounting plate	Order No.
Steel sheet, zinc plated	3073020000
Hinge, diecast zinc, Set	Order No.
	1580360000
Torx® screwdriver	Order No.
uninsulated, Torx® TH20	9009160000
Earthing stud	Order No.
Brass, M6	1277250000
Stainless steel 1.4404, M6	1283430000
Compensating element	Order No.
Stainless steel 1.4305, M12	1868550000
Polyamide 6, M12	1868570000
Stainless steel 1.4404, M20 for Ex applications	1344630000

Max. number of terminals (industry)

Assembly with terminal	vertical	horizontal
2.5 mm ²	*	1x15
4 mm ²	*	1x12
6 mm ²		
10 mm ²		
16 mm ²		



Note *Please refer to the Terminal Block Catalogue or the SAK Series for more information about populating the enclosures with terminal blocks. We recommend BK 6 or BK 6 CRN (0625220000) for vertical installations. There are no pre-defined mounting points set within this enclosure for installing internal equipment in a vertical position.

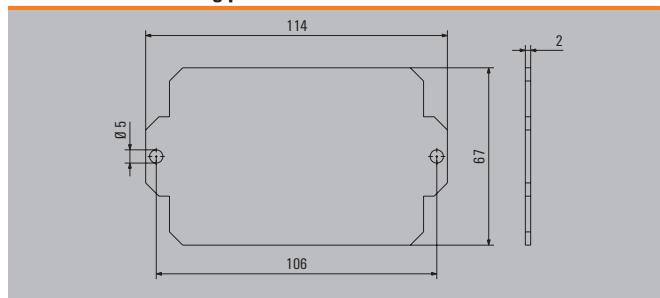
Number of cable entries

Number of cable entries	A / B	C / D
M12	6	2
M16	4	2
M20	3	1
M25	2	
M32		
M40		
M50		
M63		



Note Our IP68 brass cable glands are used as the reference for these guideline values.

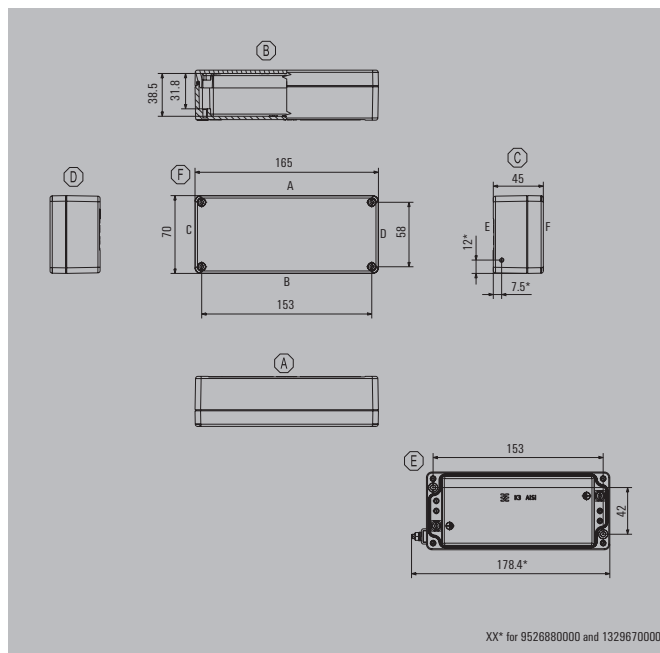
Dimensions of mounting plate



Note The accessory sets contain the necessary mounting materials. Necessary on use of 1 hinge per longitudinal side. Helicoil for outdoor applications, available ex-works.

Klippon® K 3

Depth 45 mm



Height / Width / Depth 70 / 165 / 45 mm

Ordering data

powder-coated (RAL 7001)		Order No.
	Standard (CR seal)	9529160000
	Standard (silicone seal)	1937900000
	Ex enclosure (silicone seal)	1329670000
unpainted		
	Standard (CR seal)	0342200000
	Standard (silicone seal)	1939600000
	Ex enclosure (silicone seal)	9526880000
Note	The colours of painted enclosures may vary under certain circumstances.	

Accessories

Terminal rail, Set		Order No.
	15 mm width	1910030000
Mounting plate		
	Steel sheet, zinc plated	1898210000
Torx®screwdriver		
	uninsulated, Torx® TH20	9009160000
Earthing stud		
	Brass, M6	1277250000
	Stainless steel 1.4404, M6	1283430000
Compensating element		
	Stainless steel 1.4305, M12	1868550000
	Polyamide 6, M12	1868570000
	Stainless steel 1.4404, M20 for Ex applications	1344630000

Note The accessory sets contain the necessary mounting materials. Helicoil for outdoor applications, available ex-works.

Max. number of terminals (industry)

Assembly with terminal	vertical	horizontal
	2.5 mm ²	* 1x22
	4 mm ²	*
	6 mm ²	
	10 mm ²	
	16 mm ²	



Note *Please refer to the Terminal Block Catalogue or the SAK Series for more information about populating the enclosures with terminal blocks. We recommend BK 6 or BK 6 CRN (0625220000) for vertical installations. There are no pre-defined mounting points set within this enclosure for installing internal equipment in a vertical position.

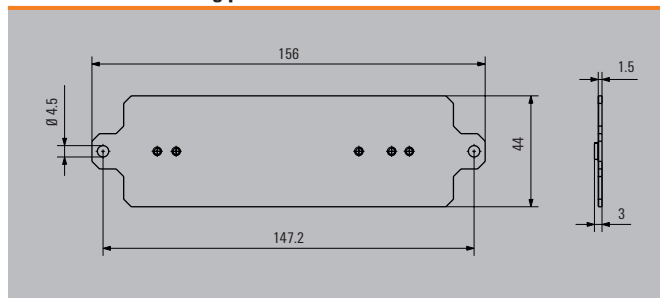
Number of cable entries

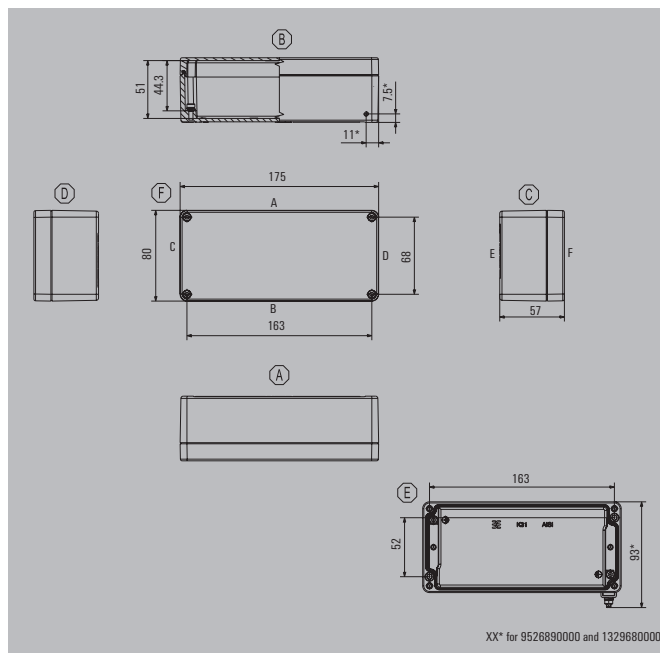
Number of cable entries	A / B	C / D
	M12	6
	M16	5
	M20	4
	M25	
	M32	
	M40	
	M50	
	M63	



Note Our IP68 brass cable glands are used as the reference for these guideline values.

Dimensions of mounting plate





Height / Width / Depth 80 / 175 / 57 mm

Ordering data

powder-coated (RAL 7001)		Order No.
	Standard (CR seal)	9529170000
	Standard (silicone seal)	1937820000
	Ex enclosure (silicone seal)	1329680000
unpainted		
	Standard (CR seal)	0573500000
	Standard (silicone seal)	1939610000
	Ex enclosure (silicone seal)	9526890000
Note	The colours of painted enclosures may vary under certain circumstances.	

Accessories

Terminal rail, Set		Order No.
	15 mm width	1910040000
Mounting plate		
	Steel sheet, zinc plated	3073040000
Hinge, diecast zinc, Set		
		1580360000
Torx®screwdriver		
	uninsulated, Torx® TH20	9009160000
Earthing stud		
	Brass, M6	1277250000
	Stainless steel 1.4404, M6	1283430000
Compensating element		
	Stainless steel 1.4305, M12	1868550000
	Polyamide 6, M12	1868570000
	Stainless steel 1.4404, M20 for Ex applications	1344630000

Max. number of terminals (industry)

Assembly with terminal	vertical	horizontal
	2.5 mm ²	* 1x23
	4 mm ²	* 1x19
	6 mm ²	
	10 mm ²	
	16 mm ²	



Note *Please refer to the Terminal Block Catalogue or the SAK Series for more information about populating the enclosures with terminal blocks. We recommend BK 6 or BK 6 CRN (0625220000) for vertical installations. There are no pre-defined mounting points set within this enclosure for installing internal equipment in a vertical position.

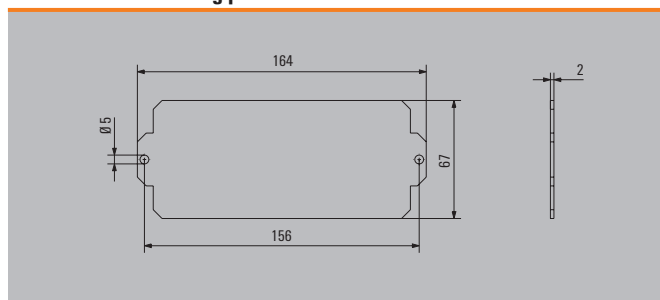
Number of cable entries

Number of cable entries	A / B	C / D
	M12	9
	M16	6
	M20	4
	M25	3
	M32	
	M40	
	M50	
	M63	



Note Our IP68 brass cable glands are used as the reference for these guideline values.

Dimensions of mounting plate



Note The accessory sets contain the necessary mounting materials. Necessary on use of 1 hinge per longitudinal side. Helicoil for outdoor applications, available ex-works.

Klippon® K 32

Depth **55 mm**



Height / Width / Depth 80 / 250 / 55 mm

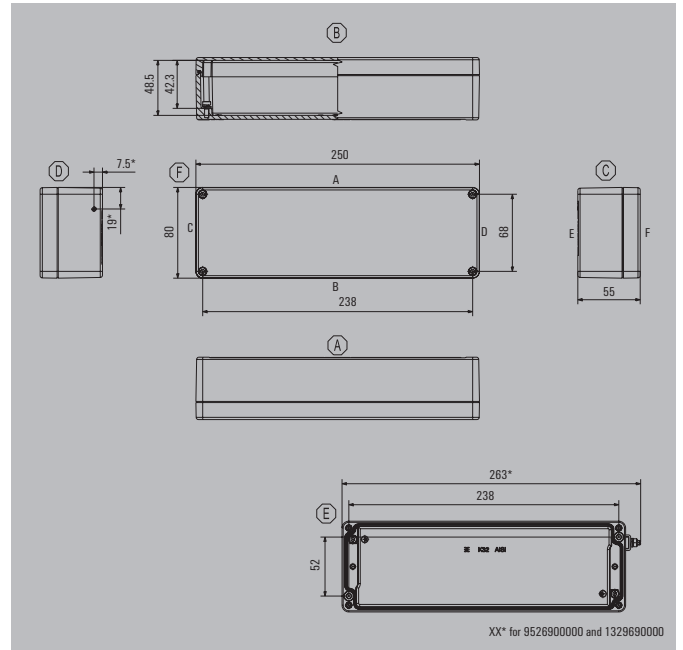
Ordering data

powder-coated (RAL 7001)		Order No.
	Standard (CR seal)	9529180000
	Standard (silicone seal)	1937810000
	Ex enclosure (silicone seal)	1329690000
unpainted		
	Standard (CR seal)	1565260000
	Standard (silicone seal)	1939620000
	Ex enclosure (silicone seal)	9526900000
Note	The colours of painted enclosures may vary under certain circumstances.	

Accessories

Mounting plate		Order No.
	Steel sheet, zinc plated	3073050000
Torx®screwdriver		
	uninsulated, Torx® TH20	9009160000
Earthing stud		
	Brass, M6	1277250000
	Stainless steel 1.4404, M6	1283430000
Compensating element		
	Stainless steel 1.4305, M12	1868550000
	Polyamide 6, M12	1868570000
	Stainless steel 1.4404, M20 for Ex applications	1344630000

Note The accessory sets contain the necessary mounting materials. Helicoil for outdoor applications, available ex-works.



Max. number of terminals (industry)

Assembly with terminal	vertical	horizontal
	2.5 mm ²	* 1x38
	4 mm ²	* 1x32
	6 mm ²	
	10 mm ²	
	16 mm ²	

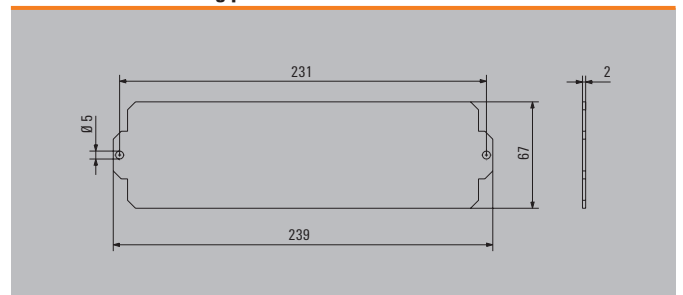
Note *Please refer to the Terminal Block Catalogue or the SAK Series for more information about populating the enclosures with terminal blocks. We recommend BK 6 or BK 6 CRN (0625220000) for vertical installations. There are no pre-defined mounting points set within this enclosure for installing internal equipment in a vertical position.

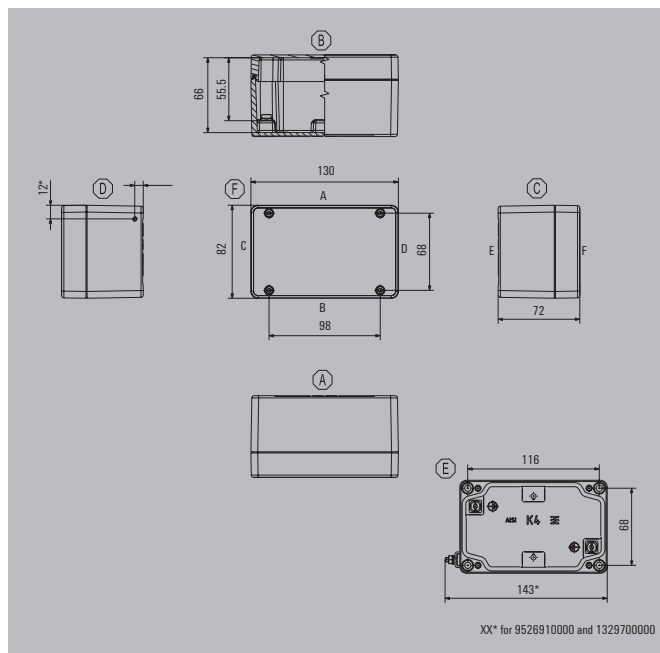
Number of cable entries

Number of cable entries	A / B	C / D
	M12	15
	M16	9
	M20	7
	M25	6
	M32	
	M40	
	M50	
	M63	

Note Our IP68 brass cable glands are used as the reference for these guideline values.

Dimensions of mounting plate





Height / Width / Depth 82 / 130 / 72 mm

Ordering data

powder-coated (RAL 7001)	Order No.
Standard (CR seal)	9529190000
Standard (silicone seal)	1937890000
Ex enclosure (silicone seal)	1329700000
unpainted	Order No.
Standard (CR seal)	0342300000
Standard (silicone seal)	1939630000
Ex enclosure (silicone seal)	9526910000

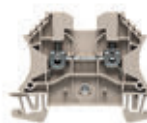
Note The colours of painted enclosures may vary under certain circumstances.

Accessories

Terminal rail, Set	Order No.
35 mm width	1910060000
Mounting plate	Order No.
Steel sheet, zinc plated	3073060000
Hinge, diecast zinc, Set	Order No.
	1580360000
Torx®screwdriver	Order No.
uninsulated, Torx® TH20	9009160000
Earthing stud	Order No.
Brass, M6	1277250000
Stainless steel 1.4404, M6	1283430000
Brass, M10	1277220000
Stainless steel 1.4404, M10	1283440000
Compensating element	Order No.
Stainless steel 1.4305, M12	1868550000
Polyamide 6, M12	1868570000
Stainless steel 1.4404, M20 for Ex applications	1344630000

Max. number of terminals (industry)

Assembly with terminal	vertical	horizontal
2.5 mm ²	1x5	*
4 mm ²	1x4	*
6 mm ²	1x3	
10 mm ²	1x2	
16 mm ²		



Note The mounting rails are designed to be installed directly. Assembly with terminals provides for 10 mm clearance to the ends of the mounting rail. Ordering recommendations: TS 35 mounting rail (screw-type terminals) WDU 2.5 1020000000 / (tension clamp terminals) ZDU 2.5 1608510000 *For fitting the enclosures with terminal blocks, please refer to the Terminal block catalogue or the SAK series. We recommend BK 6 or BK 6 CRN (0825220000) for horizontal installations. There are no pre-defined mounting points set within this enclosure for installing internal equipment in a horizontal position.

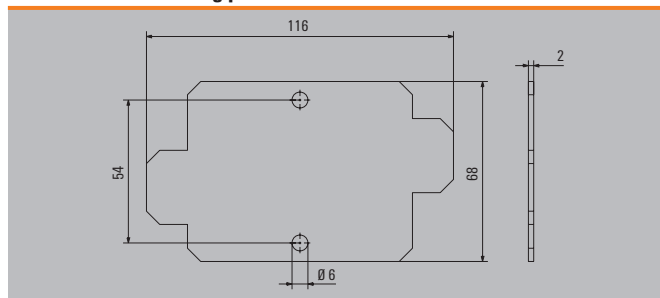
Number of cable entries

Number of cable entries	A / B	C / D
M12	5	2
M16	3	2
M20	2	1
M25	2	1
M32		1
M40		
M50		
M63		

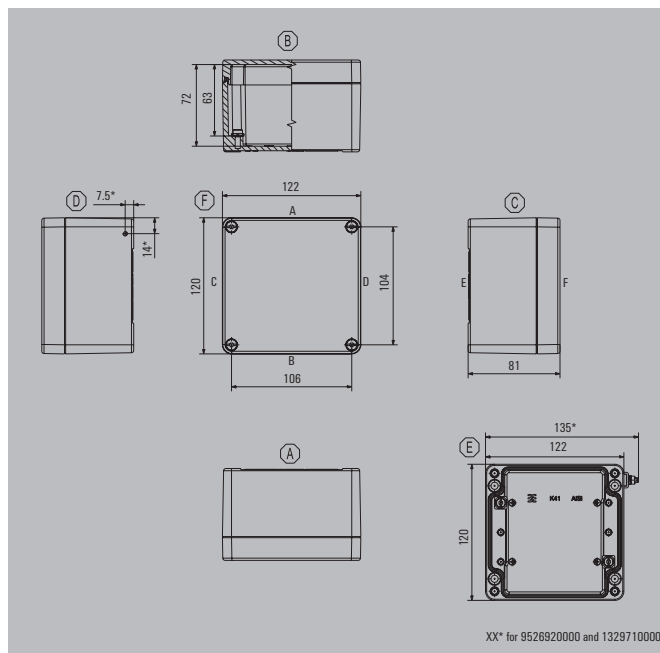


Note Our IP68 brass cable glands are used as the reference for these guideline values.

Dimensions of mounting plate



Note Sets also contain the mounting material, if necessary. 1 hinge per longitudinal side. Helicoil for outdoor applications, available ex-works.



Height / Width / Depth 120 / 122 / 81 mm

Ordering data

powder-coated (RAL 7001)	Order No.
Standard (CR seal)	9529200000
Standard (silicone seal)	1937800000
Ex enclosure (silicone seal)	1329710000
unpainted	Order No.
Standard (CR seal)	1565270000
Standard (silicone seal)	1939640000
Ex enclosure (silicone seal)	9526920000

Note The colours of painted enclosures may vary under certain circumstances.

Accessories

Terminal rail, Set	Order No.
35 mm width	1910070000
Mounting plate	Order No.
Steel sheet, zinc plated	3073070000
Hinge, diecast zinc, Set	Order No.
	1580360000
External mounting feet, set of 4	Order No.
Stainless steel 1.4301	9527590000
Torx®screwdriver	Order No.
uninsulated, Torx® TH20	9009160000
Earthing stud	Order No.
Brass, M6	1277250000
Stainless steel 1.4404, M6	1283430000
Brass, M10	1277220000
Stainless steel 1.4404, M10	1283440000
Compensating element	Order No.
Stainless steel 1.4305, M12	1868550000
Polyamide 6, M12	1868570000
Stainless steel 1.4404, M20 for Ex applications	1344630000

Note The accessory sets contain the necessary mounting materials. Necessary on use of 1 hinge per longitudinal side. Helicoil for outdoor applications, available ex-works.

Max. number of terminals (industry)

Assembly with terminal	vertical	horizontal
2.5 mm ²	*	1x13
4 mm ²	*	1x11
6 mm ²		1x8
10 mm ²		1x6
16 mm ²		

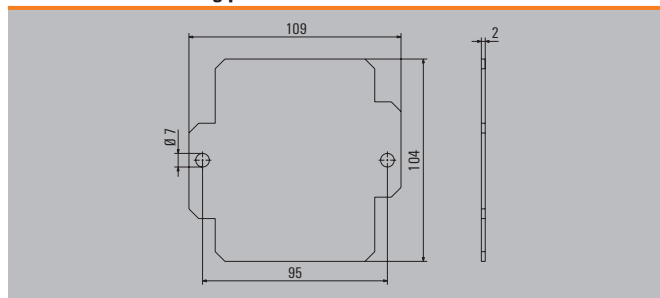
Note *Please refer to the Terminal Block Catalogue or the SAK Series for more information about populating the enclosures with terminal blocks. We recommend BK 6 or BK 6 CRN (0625220000) for vertical installations. There are no specified mounting options available for mounting the enclosure in a vertical position. There are no pre-defined mounting points set within this enclosure for installing internal equipment in a vertical position.

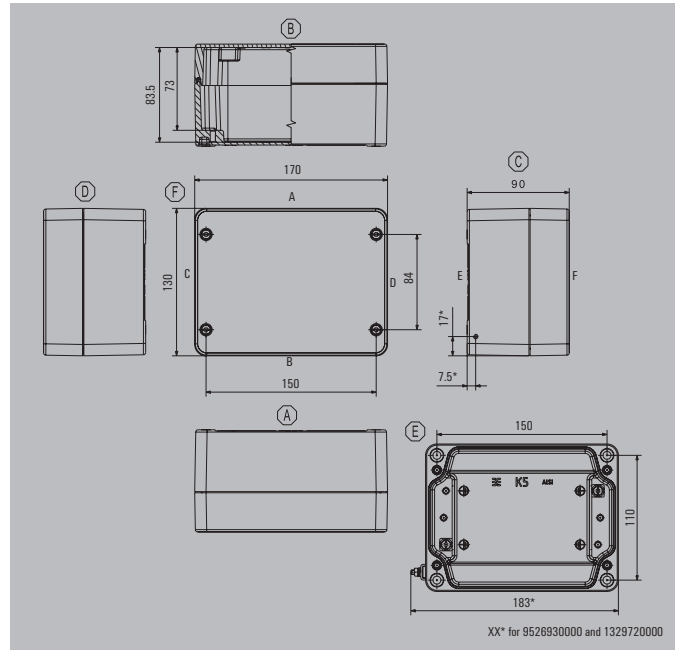
Number of cable entries

Number of cable entries	A / B	C / D
M12	6	4
M16	6	4
M20	3	2
M25	2	1
M32	1	1
M40		
M50		
M63		

Note Our IP68 brass cable glands are used as the reference for these guideline values.

Dimensions of mounting plate





XX* for 9526930000 and 1329720000

Height / Width / Depth 130 / 170 / 90 mm

Ordering data

powder-coated (RAL 7001)		Order No.
	Standard (CR seal)	9529210000
	Standard (silicone seal)	1937860000
	Ex enclosure (silicone seal)	1329720000
unpainted		
	Standard (CR seal)	0342400000
	Standard (silicone seal)	1939650000
	Ex enclosure (silicone seal)	9526930000

Note The colours of painted enclosures may vary under certain circumstances.

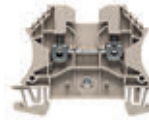
Accessories

Terminal rail, Set		Order No.
	35 mm width	1910080000
Mounting plate		
	Steel sheet, zinc plated	3073080000
Hinge, diecast zinc, Set		1580360000
External mounting feet, set of 4		
	Stainless steel 1.4301	9529080000
Torx®screwdriver		
	uninsulated, Torx® TH20	9009160000
Earthing stud		
	Brass, M6	1277250000
	Stainless steel 1.4404, M6	1283430000
	Brass, M10	1277220000
	Stainless steel 1.4404, M10	1283440000
Compensating element		
	Stainless steel 1.4305, M12	1868550000
	Polyamide 6, M12	1868570000
	Stainless steel 1.4404, M20 for Ex applications	1344630000

Note The accessory sets contain the necessary mounting materials. Necessary on use of 1 hinge per longitudinal side. Helicoil for outdoor applications, available ex-works.

Max. number of terminals (industry)

Assembly with terminal	vertical	horizontal
	2.5 mm ²	* 1x20
	4 mm ²	* 1x16
	6 mm ²	1x12
	10 mm ²	1x10
	16 mm ²	1x8



Note The mounting rails are designed to be installed directly. Assembly with terminals provides for 10 mm clearance to the ends of the mounting rail. Ordering recommendations: TS 35 mounting rail (screw-type terminals) WDU 2.5 1020000000 / (tension clamp terminals) ZDU 2.5 1608510000 *For fitting the enclosures with terminal blocks, please refer to the Terminal block catalogue or the SAK series. We recommend BK 6 or BK 6 CRN (0625220000) for vertical installations. There are no specified mounting options available for mounting the enclosure in a vertical position. There are no pre-defined mounting points set within this enclosure for installing internal equipment in a vertical position.

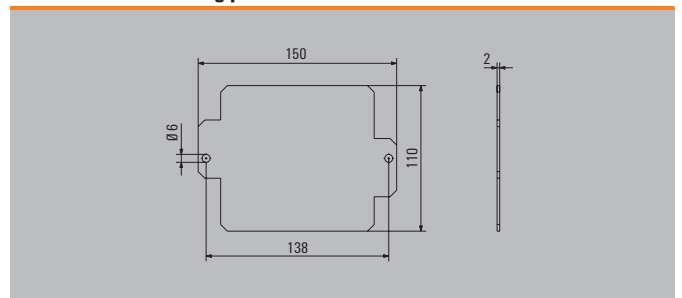
Number of cable entries

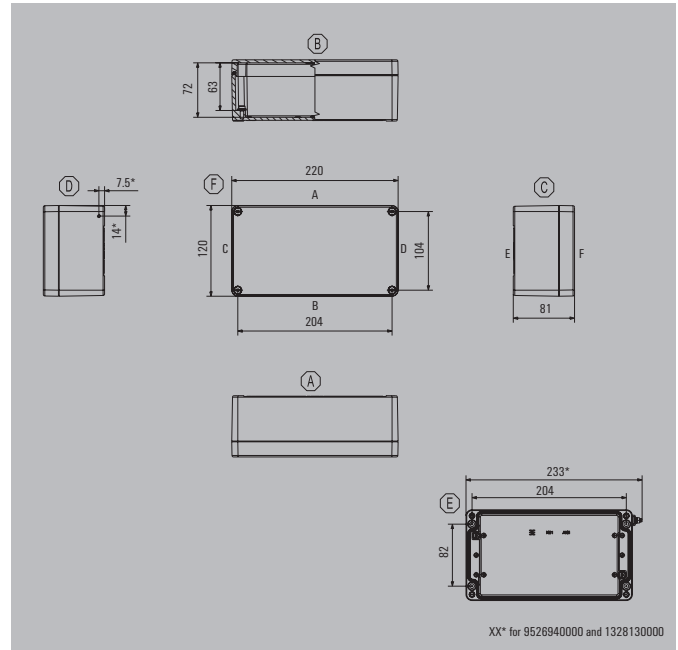
Number of cable entries	A / B	C / D
	M12	11
	M16	8
	M20	4
	M25	3
	M32	2
	M40	1
	M50	1
	M63	



Note Our IP68 brass cable glands are used as the reference for these guideline values.

Dimensions of mounting plate





Height / Width / Depth 120 / 220 / 81 mm

Ordering data

powder-coated (RAL 7001)		Order No.
	Standard (CR seal)	9529220000
	Standard (silicone seal)	1937750000
	Ex enclosure (silicone seal)	1328130000
unpainted		
	Standard (CR seal)	1565280000
	Standard (silicone seal)	1939660000
	Ex enclosure (silicone seal)	9526940000

Note The colours of painted enclosures may vary under certain circumstances.

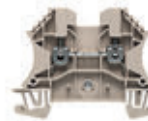
Accessories

Terminal rail, Set		Order No.
	35 mm width	1910090000
Mounting plate	Steel sheet, zinc plated	3073090000
Hinge, diecast zinc, Set		1580360000
External mounting feet, set of 4	Stainless steel 1.4301	9527590000
Torx®screwdriver	uninsulated, Torx® TH20	9009160000
Earthing stud	Brass, M6	1277250000
	Stainless steel 1.4404, M6	1283430000
	Brass, M10	1277220000
	Stainless steel 1.4404, M10	1283440000
Compensating element	Stainless steel 1.4305, M12	1868550000
	Polyamide 6, M12	1868570000
	Stainless steel 1.4404, M20 for Ex applications	1344630000

Note The accessory sets contain the necessary mounting materials. Necessary on use of 2 hinges per longitudinal side. Helicoil for outdoor applications, available ex-works.

Max. number of terminals (industry)

Assembly with terminal	vertical	horizontal
	2.5 mm ²	* 1x31
	4 mm ²	* 1x26
	6 mm ²	1x19
	10 mm ²	1x15
	16 mm ²	



Note The mounting rails are designed to be installed directly. Assembly with terminals provides for 10 mm clearance to the ends of the mounting rail. Ordering recommendations: TS 35 mounting rail (screw-type terminals) WDU 2.5 1020000000 / (tension clamp terminals) ZDU 2.5 1608510000 *For fitting the enclosures with terminal blocks, please refer to the Terminal block catalogue or the SAK series. We recommend BK 6 or BK 6 CRN (0825220000) for vertical installations. There are no pre-defined mounting points set within this enclosure for installing internal equipment in a vertical position.

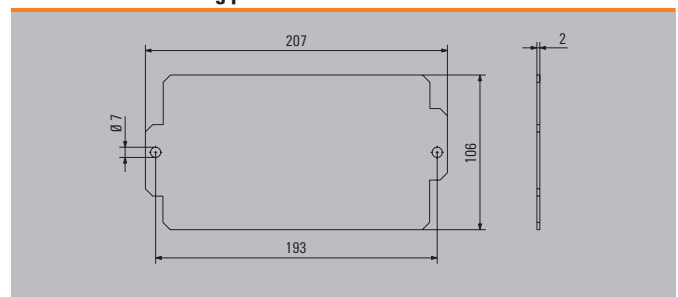
Number of cable entries

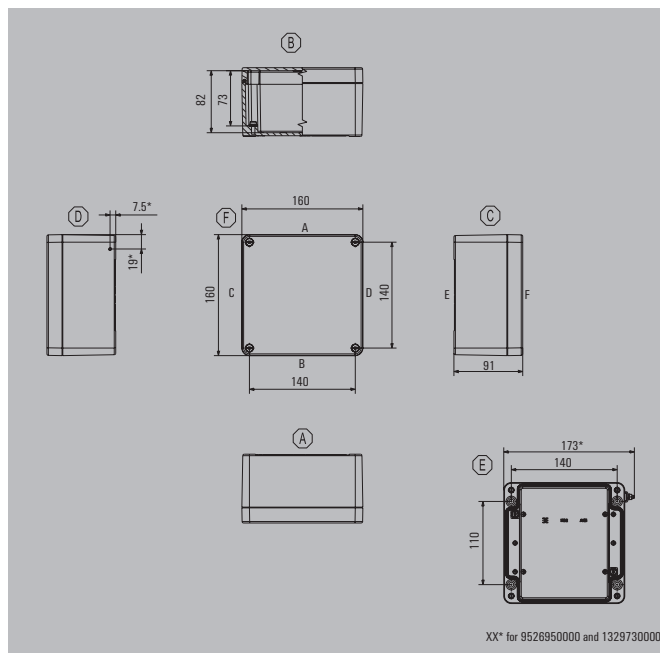
Number of cable entries	A / B	C / D
	M12	23
	M16	14
	M20	8
	M25	5
	M32	3
	M40	3
	M50	
	M63	



Note Our IP68 brass cable glands are used as the reference for these guideline values.

Dimensions of mounting plate





Height / Width / Depth 160 / 160 / 91 mm

Ordering data

powder-coated (RAL 7001)	Order No.
Standard (CR seal)	9529230000
Standard (silicone seal)	1937740000
Ex enclosure (silicone seal)	1329730000
unpainted	Order No.
Standard (CR seal)	1565290000
Standard (silicone seal)	1939670000
Ex enclosure (silicone seal)	9526950000

Note The colours of painted enclosures may vary under certain circumstances.

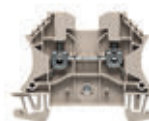
Accessories

Terminal rail, Set	Order No.
35 mm width	1910100000
Mounting plate	Order No.
Steel sheet, zinc plated	3073100000
Hinge, diecast zinc, Set	Order No.
	1580360000
External mounting feet, set of 4	Order No.
Stainless steel 1.4301	9527590000
Torx®screwdriver	Order No.
uninsulated, Torx® TH20	9009160000
Earthing stud	Order No.
Brass, M6	1277250000
Stainless steel 1.4404, M6	1283430000
Brass, M10	1277220000
Stainless steel 1.4404, M10	1283440000
Compensating element	Order No.
Stainless steel 1.4305, M12	1868550000
Polyamide 6, M12	1868570000
Stainless steel 1.4404, M20 for Ex applications	1344630000

Note The accessory sets contain the necessary mounting materials. Necessary on use of 1 hinge per longitudinal side. Helicoil for outdoor applications, available ex-works.

Max. number of terminals (industry)

Assembly with terminal	vertical	horizontal
2.5 mm ²	*	1x18
4 mm ²	*	1x15
6 mm ²		1x11
10 mm ²		1x9
16 mm ²		



Note The mounting rails are designed to be installed directly. Assembly with terminals provides for 10 mm clearance to the ends of the mounting rail. Ordering recommendations: TS 35 mounting rail (screw-type terminals) WDU 2.5 1020000000 / (tension clamp terminals) ZDU 2.5 1608510000 *For fitting the enclosures with terminal blocks, please refer to the Terminal block catalogue or the SAK series. We recommend BK 12 or BK 12 CRN (0625320000) for vertical installations. There are no pre-defined mounting points set within this enclosure for installing internal equipment in a vertical position.

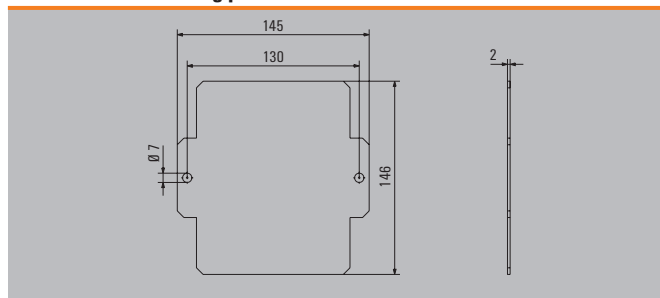
Number of cable entries

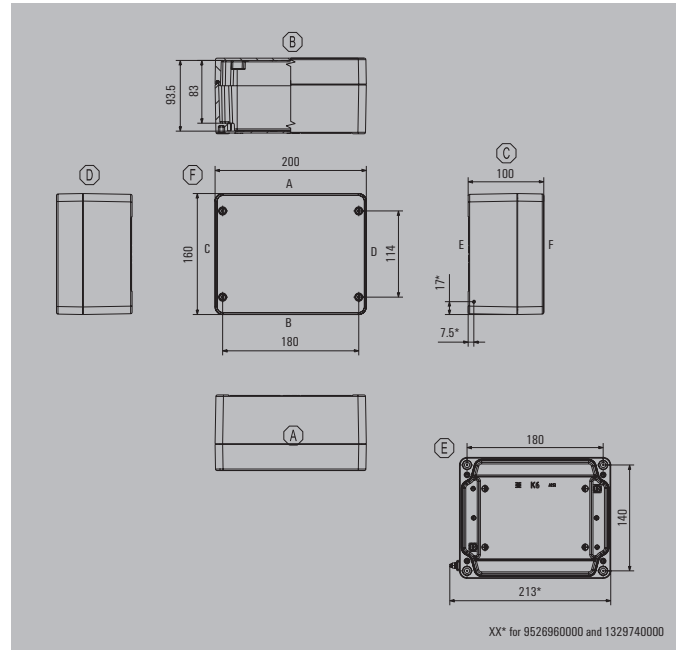
Number of cable entries	A / B	C / D
M12	14	8
M16	8	5
M20	5	3
M25	3	2
M32	2	1
M40	1	
M50		
M63		



Note Our IP68 brass cable glands are used as the reference for these guideline values.

Dimensions of mounting plate





Height / Width / Depth 160 / 200 / 100 mm

Ordering data

powder-coated (RAL 7001)		Order No.
	Standard (CR seal)	9529240000
	Standard (silicone seal)	1937870000
	Ex enclosure (silicone seal)	1329740000
unpainted		
	Standard (CR seal)	0342500000
	Standard (silicone seal)	1939690000
	Ex enclosure (silicone seal)	9526960000
Note	The colours of painted enclosures may vary under certain circumstances.	

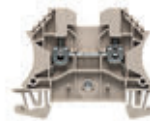
Accessories

Terminal rail, Set		Order No.
	35 mm width	1910110000
Mounting plate		
	Steel sheet, zinc plated	3073110000
Hinge, diecast zinc, Set		
		1580360000
External mounting feet, set of 4		
	Stainless steel 1.4301	9529080000
Torx®screwdriver		
	uninsulated, Torx® TH20	9009160000
Earthing stud		
	Brass, M6	1277250000
	Stainless steel 1.4404, M6	1283430000
	Brass, M10	1277220000
	Stainless steel 1.4404, M10	1283440000
Compensating element		
	Stainless steel 1.4305, M12	1868550000
	Polyamide 6, M12	1868570000
	Stainless steel 1.4404, M20 for Ex applications	1344630000

Note The accessory sets contain the necessary mounting materials. Necessary on use of 2 hinges per longitudinal side. Helicoil for outdoor applications, available ex-works.

Max. number of terminals (industry)

Assembly with terminal	vertical	horizontal
	2.5 mm ²	* 1x25
	4 mm ²	* 1x21
	6 mm ²	1x15
	10 mm ²	1x12
	16 mm ²	1x10



Note The mounting rails are designed to be installed directly. Assembly with terminals provides for 10 mm clearance to the ends of the mounting rail. Ordering recommendations: TS 35 mounting rail (screw-type terminals) WDU 2.5 1020000000 / (tension clamp terminals) ZDU 2.5 1608510000 *For fitting the enclosures with terminal blocks, please refer to the Terminal block catalogue or the SAK series. We recommend BK 12 or BK 12 CRN (0625320000) for vertical installations. There are no pre-defined mounting points set within this enclosure for installing internal equipment in a vertical position.

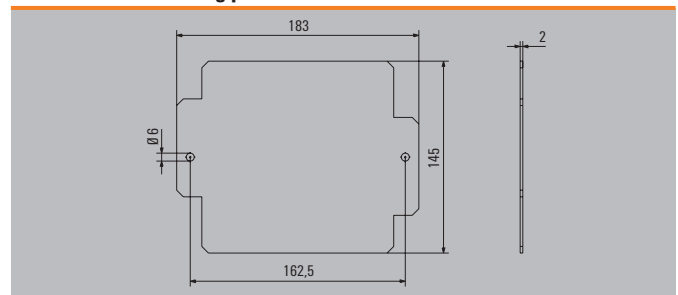
Number of cable entries

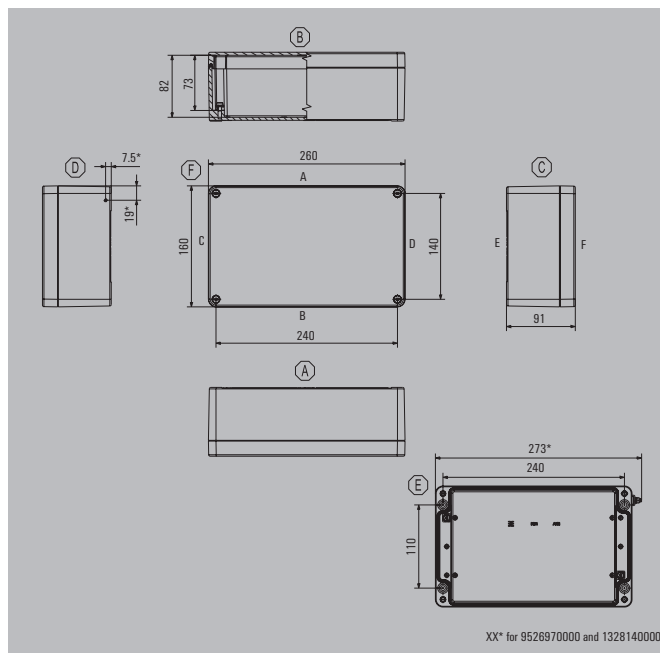
Number of cable entries	A / B	C / D
	M12	17
	M16	12
	M20	7
	M25	4
	M32	3
	M40	2
	M50	
	M63	



Note Our IP68 brass cable glands are used as the reference for these guideline values.

Dimensions of mounting plate





Height / Width / Depth 160 / 260 / 91 mm

Ordering data

powder-coated (RAL 7001)	Order No.
Standard (CR seal)	9529250000
Standard (silicone seal)	1937730000
Ex enclosure (silicone seal)	1328140000
unpainted	Order No.
Standard (CR seal)	0573600000
Standard (silicone seal)	1939700000
Ex enclosure (silicone seal)	9526970000

Note The colours of painted enclosures may vary under certain circumstances.

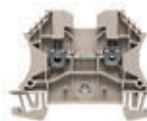
Accessories

Terminal rail, Set	Order No.
35 mm width	1910120000
Mounting plate	Order No.
Steel sheet, zinc plated	3073120000
Hinge, diecast zinc, Set	Order No.
	1580360000
External mounting feet, set of 4	Order No.
Stainless steel 1.4301	9527590000
Torx®screwdriver	Order No.
uninsulated, Torx® TH20	9009160000
Earthing stud	Order No.
Brass, M6	1277250000
Stainless steel 1.4404, M6	1283430000
Brass, M10	1277220000
Stainless steel 1.4404, M10	1283440000
Compensating element	Order No.
Stainless steel 1.4305, M12	1868550000
Polyamide 6, M12	1868570000
Stainless steel 1.4404, M20 for Ex applications	1344630000

Note The accessory sets contain the necessary mounting materials. Necessary on use of 2 hinges per longitudinal side. Helicoil for outdoor applications, available ex-works.

Max. number of terminals (industry)

Assembly with terminal	vertical	horizontal
2.5 mm ²	*	1x38
4 mm ²	*	1x32
6 mm ²		1x24
10 mm ²		1x19
16 mm ²		1x16



Note The mounting rails are designed to be installed directly. Assembly with terminals provides for 10 mm clearance to the ends of the mounting rail. Ordering recommendations: TS 35 mounting rail (screw-type terminals) WDU 2.5 1020000000 / (tension clamp terminals) ZDU 2.5 1608510000 *For fitting the enclosures with terminal blocks, please refer to the Terminal block catalogue or the SAK series. We recommend BK 12 or BK 12 CRN (0625320000) for vertical installations. There are no pre-defined mounting points set within this enclosure for installing internal equipment in a vertical position.

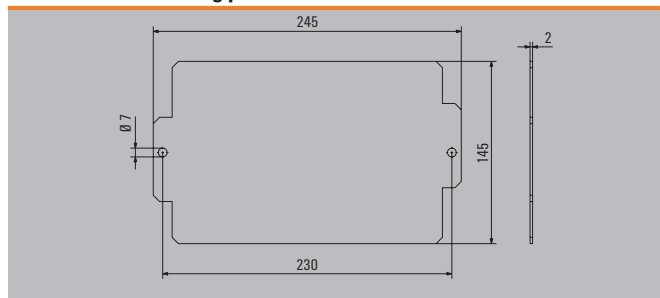
Number of cable entries

Number of cable entries	A / B	C / D
M12	27	8
M16	23	6
M20	13	3
M25	8	2
M32	4	1
M40	3	1
M50		
M63		



Note Our IP68 brass cable glands are used as the reference for these guideline values.

Dimensions of mounting plate



Klippon® K 7

Depth 100 mm



Height / Width / Depth 160 / 350 / 100 mm

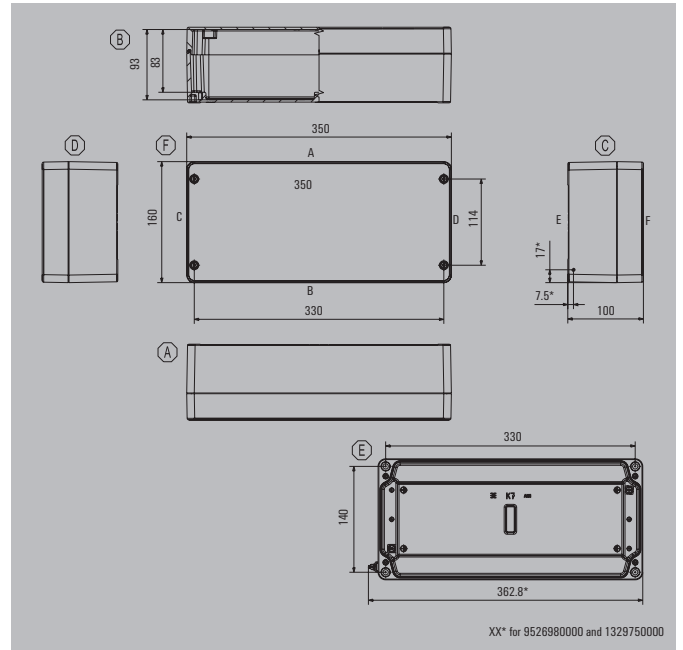
Ordering data

powder-coated (RAL 7001)		Order No.
	Standard (CR seal)	9529260000
	Standard (silicone seal)	1937880000
	Ex enclosure (silicone seal)	1329750000
unpainted		
	Standard (CR seal)	0342600000
	Standard (silicone seal)	1939710000
	Ex enclosure (silicone seal)	9526980000
Note	The colours of painted enclosures may vary under certain circumstances.	

Accessories

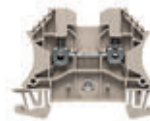
Terminal rail, Set		Order No.
	35 mm width	1910130000
Mounting plate		
	Steel sheet, zinc plated	3073130000
Hinge, diecast zinc, Set		1580360000
External mounting feet, set of 4		
	Stainless steel 1.4301	9529080000
Torx®screwdriver		
	uninsulated, Torx® TH20	9009160000
Earthing stud		
	Brass, M6	1277250000
	Stainless steel 1.4404, M6	1283430000
	Brass, M10	1277220000
	Stainless steel 1.4404, M10	1283440000
Compensating element		
	Stainless steel 1.4305, M12	1868550000
	Polyamide 6, M12	1868570000
	Stainless steel 1.4404, M20 for Ex applications	1344630000

Note The accessory sets contain the necessary mounting materials. Necessary on use of 2 hinges per longitudinal side. Helicoil for outdoor applications, available ex-works.



Max. number of terminals (industry)

Assembly with terminal	vertical	horizontal
	2.5 mm ²	* 1x55
	4 mm ²	* 1x46
	6 mm ²	1x34
	10 mm ²	1x27
	16 mm ²	1x23



Note The mounting rails are designed to be installed directly. Assembly with terminals provides for 10 mm clearance to the ends of the mounting rail. Ordering recommendations: TS 35 mounting rail (screw-type terminals) WDU 2.5 1020000000 / (tension clamp terminals) ZDU 2.5 1608510000 *For fitting the enclosures with terminal blocks, please refer to the Terminal block catalogue or the SAK series. We recommend BK 12 or BK 12 CRN (0625320000) for vertical installations. There are no pre-defined mounting points set within this enclosure for installing internal equipment in a vertical position.

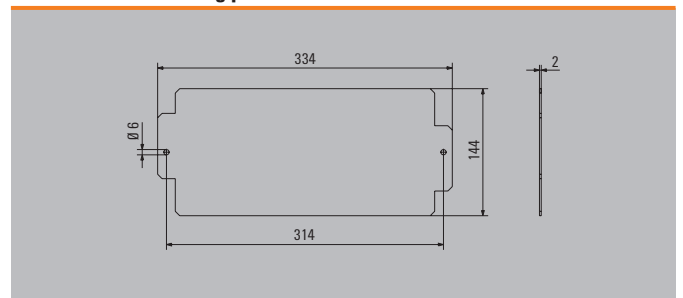
Number of cable entries

Number of cable entries	A / B	C / D
	M12	42
	M16	26
	M20	17
	M25	10
	M32	6
	M40	5
	M50	
	M63	



Note Our IP68 brass cable glands are used as the reference for these guideline values.

Dimensions of mounting plate





230 / 280 / 111 mm

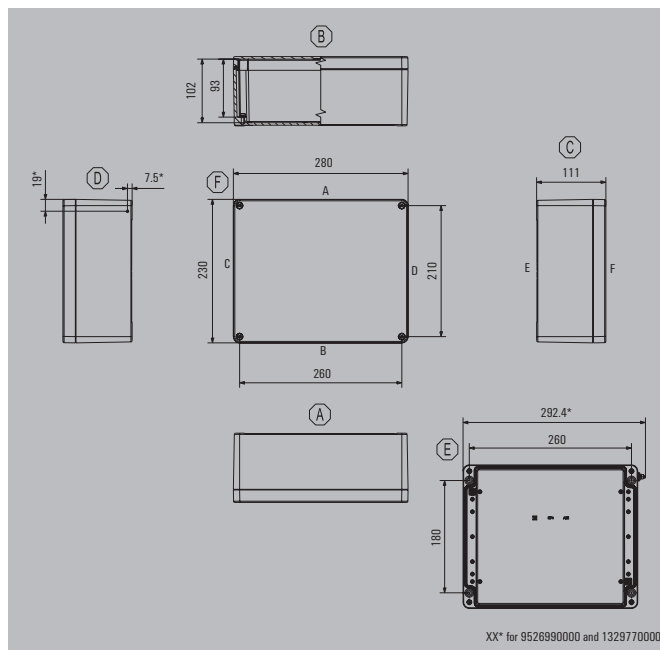
Ordering data

powder-coated (RAL 7001)		Order No.
	Standard (CR seal)	9529270000
	Standard (silicone seal)	1937720000
	Ex enclosure (silicone seal)	1329770000
unpainted		
	Standard (CR seal)	0573700000
	Standard (silicone seal)	1939730000
	Ex enclosure (silicone seal)	9526990000
Note	The colours of painted enclosures may vary under certain circumstances.	

Accessories

Terminal rail, Set		Order No.
	35 mm width	1910140000
Mounting plate		
	Steel sheet, zinc plated	3073140000
Hinge, diecast zinc, Set		1580360000
External mounting feet, set of 4		
	Stainless steel 1.4301	9527590000
Torx®screwdriver		
	uninsulated, Torx® TH20	9009160000
Earthing stud		
	Brass, M6	1277250000
	Stainless steel 1.4404, M6	1283430000
	Brass, M10	1277220000
	Stainless steel 1.4404, M10	1283440000
Compensating element		
	Stainless steel 1.4305, M12	1868550000
	Polyamide 6, M12	1868570000
	Stainless steel 1.4404, M20 for Ex applications	1344630000

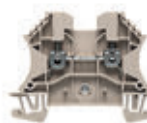
Note The accessory sets contain the necessary mounting materials. Necessary on use of 2 hinges per longitudinal side. Helicoil for outdoor applications, available ex-works.



XX* for 9526990000 and 1329770000

Max. number of terminals (industry)

Assembly with terminal	vertical	horizontal
	2.5 mm ²	* 2x42
	4 mm ²	* 2x35
	6 mm ²	2x26
	10 mm ²	2x21
	16 mm ²	



Note The mounting rails are designed to be installed directly. Assembly with terminals provides for 10 mm clearance to the ends of the mounting rail.
 Ordering recommendations:
 TS 35 mounting rail (screw-type terminals) WDU 2.5 1020000000 / (tension clamp terminals) ZDU 2.5 1608510000
 *For fitting the enclosures with terminal blocks, please refer to the Terminal block catalogue or the SAK series. We recommend BK 12 or BK 12 CRN (0625320000) for vertical installations. There are no pre-defined mounting points set within this enclosure for installing internal equipment in a vertical position.

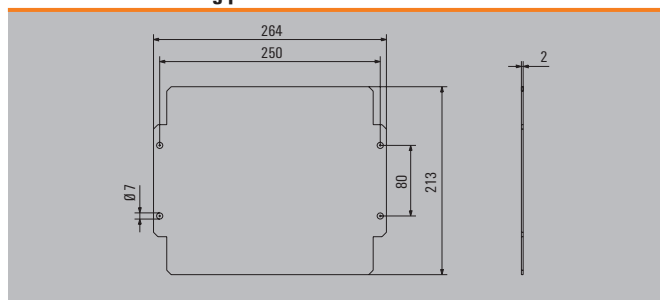
Number of cable entries

Number of cable entries	A / B	C / D
	M12	42
	M16	30
	M20	21
	M25	12
	M32	10
	M40	4
	M50	3
	M63	2



Note Our IP68 brass cable glands are used as the reference for these guideline values.

Dimensions of mounting plate



Klippon® POK – Polyester Enclosures

Universal terminal boxes for standard industrial applications and for potentially explosive atmospheres in Zones 1 and 2, 21 and 22

C

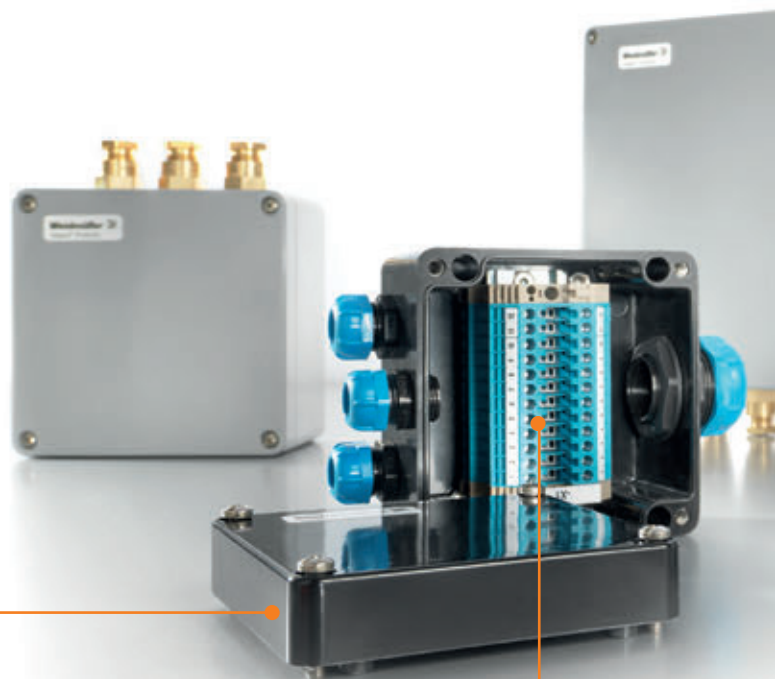
The Klippon® POK enclosure range is made from a high-quality glass fibre reinforced polyester and is ideal for applications and environments where corrosion resistance, impact resistance and a high IP protection class is a requirement.

Key Features:

- Manufactured from glass fibre reinforced polyester
- Available in 17 sizes
- Two standard finishes (colours)
 - Grey, similar to RAL 7001 (industrial use)
 - Black, similar to RAL 9011 (harsh environments, Ex)
- Captive lid fixing screws are stainless steel
- Fixing holes are located outside of the lid sealing area to ensure high ingress protection of IP66
- Threaded holes for internal component mounting
- Silicone sealing for extreme temperature environments
- Impact resistance up to 7 Joules
- Approved to the latest international standards, including EN62208 and IEC EN 60079

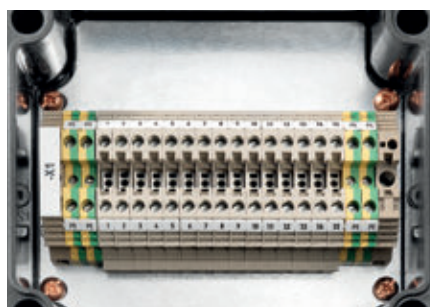
Cross-head screws

The enclosure lid is secured with stainless steel captive cross-head screws. Handling the enclosure is made simple. A single tool is the only requirement for quick and easy installation.



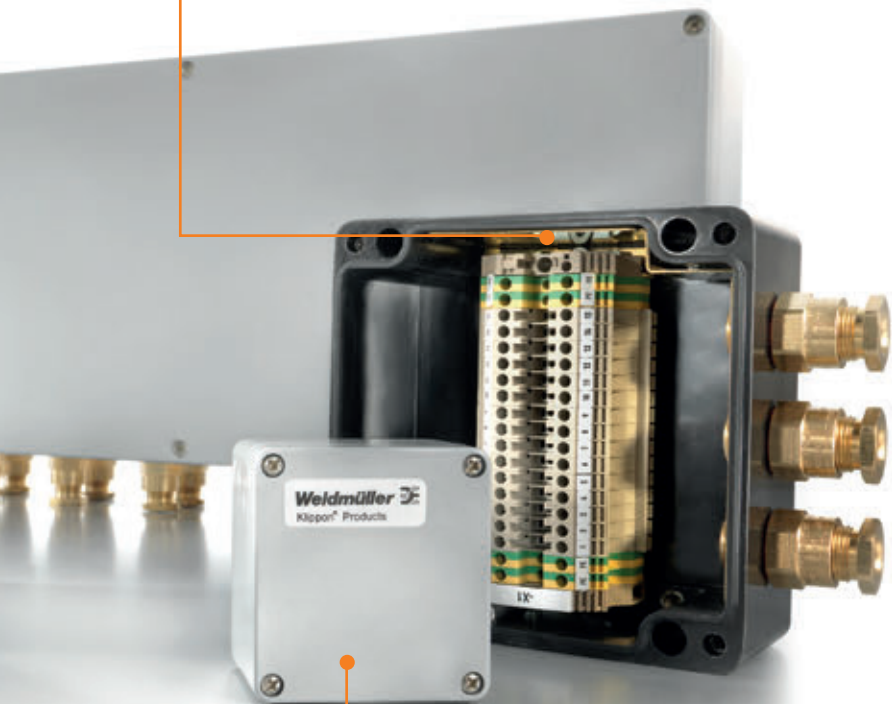
Mounting plates

Internal mounting plates for the installation of terminal rails, terminal blocks or other equipment are available.



Brass Earth Continuity Plate

An angled design made to complement the Klippon® POK enclosures installed in potentially explosive atmospheres. The brass earth continuity plate is available as an optional accessory.



Earth kit

The Klippon® POK Ex enclosures are designed for applications installed in potentially explosive atmospheres. An M6 or M10 internal/external earth kit is available as an optional accessory.



Other Colour

Grey, similar to RAL7001
 Black, similar to RAL 9011
 Other colours are available on request (subject to a minimum order quantity).



Enclosure wall fixing (direct or via mounting lugs)

The fixing positions of each enclosure are located outside of the sealing area. The enclosure can be fastened directly via fixing holes found on the rear side of the enclosure or alternatively, it is possible to secure the enclosure from the outside by means of mounting lugs that are separately available.



Closed moulded sealing

Robust and secure sealing increases the performance of each enclosure with enhanced ingress protection.

The Klippon® POK enclosures are supplied as standard with a removable and replaceable moulded gasket. Available in either silicone or chloroprene material and depending upon the enclosure type they are adapted to the contour of each enclosure to ensure ingress performance is maintained.



Klippon® POK – Polyester enclosures

The Klippon® POK range of polyester enclosures are designed to protect and integrate with general purpose electrical and electronic equipment as well as control components in harsh environments or potentially explosive atmospheres.

C

Designed to meet the rigorous demands of industrial automation or process control and energy industries and with signal and component protection in mind, the Klippon POK enclosure range is designed to meet the customers' application needs.

Our customer specific assembly service can provide a fully customised enclosure solution, designed to meet the customer requirements.



Features:

- For use in potentially explosive atmospheres and industrial applications
- Extremely robust with a high impact resistance
- Approved to the latest international standards
- M4 or M6 mounting elements integrated into enclosure body for installation of mounting plates, mounting rails, printed circuit boards etc.



Note: The enclosure range Klippon® POK can be assembled with terminals or other approved equipment by our locally available Application-Specific Solutions service. Please ask us for more details.

Overview of enclosures

Ordering data

Description	Hight x width x depth in mm	Standard (grey finish)	Ex Enclosures (black finish)	Reference product
Klippon® POK 080806	75 x 80 x 55	1305810000	1306000000	Klippon® POK 1
Klippon® POK 081106	75 x 110 x 56	1305820000	1306010000	Klippon® POK 2
Klippon® POK 081606	75 x 160 x 56	1305830000	1306020000	Klippon® POK 3
Klippon® POK 081906	75 x 190 x 55	1305840000	1306030000	Klippon® POK 31
Klippon® POK 082306	75 x 230 x 56	1305850000	1306040000	Klippon® POK 32
Klippon® POK 121209	120 x 122 x 90	1305870000	1306050000	Klippon® POK 4
Klippon® POK 122209	120 x 220 x 90	1305880000	1306070000	Klippon® POK 5
Klippon® POK 161609	160 x 160 x 90	1305890000	1306080000	Klippon® POK 51
Klippon® POK 162609	160 x 260 x 90	1305900000	1306090000	Klippon® POK 6
Klippon® POK 163609	160 x 360 x 90	1305910000	1306100000	Klippon® POK 7
Klippon® POK 165609	160 x 560 x 90	1305920000	1306110000	Klippon® POK 71
Klippon® POK 252512	250 x 255 x 120	1305930000	1306120000	Klippon® POK 8
Klippon® POK 252516	250 x 255 x 160.5	1305980000	1306170000	Klippon® POK 9
Klippon® POK 254012	250 x 400 x 120	1305940000	1306130000	Klippon® POK 91
Klippon® POK 254016	250 x 400 x 160.5	1305990000	1306180000	Klippon® POK 10
Klippon® POK 256012	250 x 600 x 120	1305950000	1306140000	Klippon® POK 11
Klippon® POK 404012	405 x 400 x 120	1305970000	1306150000	Klippon® POK 12

Hinweis

Technical Overview

Technical data

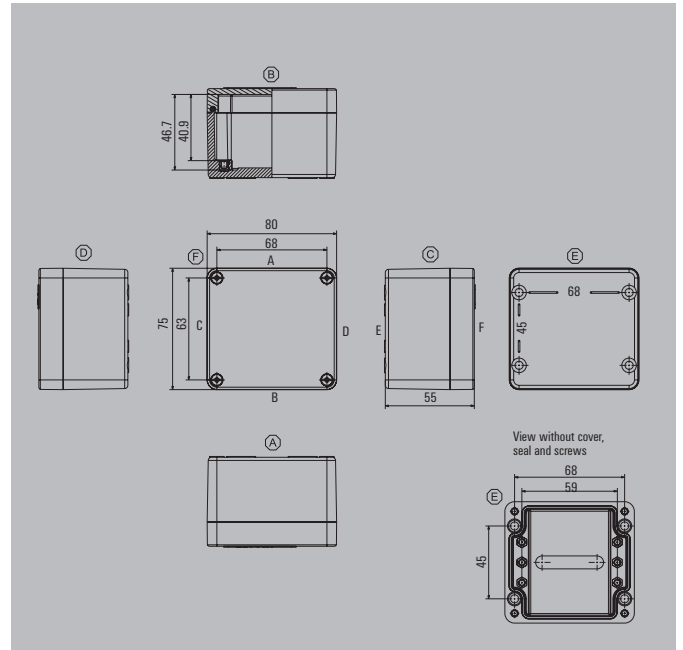
	Ex	Standard
Enclosure material	Glass fibre-reinforced polyester to DIN 16913 with added graphite	Glass fibre-reinforced polyester to DIN 16913
Surface	Black, similar to RAL 9011	Grey, similar to RAL7001
IP Rating	IP 66 to DIN EN 60529	IP 66 to DIN EN 60529
NEMA Rating	4, 4x	4, 4x
Equipment mounting	M4 to M6 threaded bushes	M4 to M6 threaded bushes
Enclosure mounting	4 holes for M4 to M6 screw	4 holes for M4 to M6 screw
Lid fixing	M4/M6 slothead / crosshead screws from stainless steel	M4/M6 slothead / crosshead screws from stainless steel
Impact Resistance	7J to IEC 60029-0	IK08 (5J) to DIN EN 50102
Gasket material	Silicone (VMQ)	Chloroprene
Temperature range	-55 °C...+100 °C	-40 °C...+100 °C
Torque screws of lid M4	2.0 - 2.5 Nm	2.0 - 2.5 Nm
Torque screws of lid M6	2.5 - 3.0 Nm	2.5 - 3.0 Nm
Surface resistance (in ohms)	< 10 ⁹ Ohm	10 ¹² Ohm
Flammability	UL 94 V0, self extinguishing	UL 94 V0, self extinguishing
Toxicity	Halogen and cadmium-free	Halogen and cadmium-free
Note		

Approvals for empty enclosures

	Ex	Standard
ATEX certificate	IBExU13ATEX1003 U	
ATEX marking	Ⓜ II 2G Ex e IIC Gb or Ⓜ II 2G Ex eb IIC Ⓜ II 2D Ex tb IIIC Db or Ⓜ II 2D Ex tb IIIC	
IECEx certificate	IECEx IBE 13.0003U	
IECEx marking	Ex e IIC Gb or Ex eb IIC Ex tb IIIC Db or Ex tb IIIC	
EAC	RUC-DE.08.B.00472	RUC-DE.08.B.00472
cULus	E 256877	E 256877
Lloyd's Register	14/20001	14/20001
Russian Maritime Register	14.40041.250	
Germanischer Lloyd	59992-13 HH	59992-13 HH
KOSHA	16-AV4B0-246X	
AEx	E223792	
Note		

Approvals terminal enclosures

ATEX certificate	IBExU13ATEX1004 X		
ATEX marking	Ⓜ II 2G Ex e IIC T6...T5 Gb or Ⓜ II 2G Ex eb IIC T6...T5 Ⓜ II 1G Ex ia IIC T6...T5 Ga or Ⓜ II 1G Ex ia IIC T6...T5 Ⓜ II 2(1)G Ex e ia IIC T6...T5 Gb or Ⓜ II 2(1)G Ex eb ia IIC T6...T5 Ⓜ II 2D Ex tb IIIC T 85 °C...100 °C Db or Ⓜ II 2D Ex tb IIIC T 85 °C...100 °C		
IECEx certificate	IECEx IBE 13.0004X		
IECEx marking	Ex e IIC T6...T5 Gb or Ex eb IIC T6...T5 Ex ia IIC T6...T5 Ga or Ex ia IIC T6...T5 Ex e ia IIC T6...T5 Gb or Ex eb ia IIC T6...T5 Ex tb IIIC T 85 °C...100 °C Db or Ex tb IIIC T 85 °C...100 °C		
EAC certificate	RUC-DE.08.B.01328	AEx certificate	E223792
EAC marking	II 2 G Ex eb IIC T6/T5 II 2 G Ex e IIC T6/T5 Gb II 1 G Ex ia IIC T6/T5 II 1 G Ex ia IIC T6/T5 Ga II 2(1) G Ex eb ia IIC T6/T5 II 2(1) G Ex e ia IIC T6/T5 Gb II 2 D Ex tb IIIC T 85 °C...100 °C II 2 D Ex tb IIIC T 85 °C...100 °C Db	AEx marking	Class I, Zone 1, AEx e IIC Gb T6..T4 Class I, Zone 2, AEx e IIC Gc T6..T4 Class I Div.2 Group A,B,C,D T6...T4 Class II Div.2 Group F,G Zone 21, AEx tb IIIC Db
Note	If you have specific requirements for installations within potentially explosive atmospheres, please contact Weidmüller for a copy of the approval certificates. For details of power dissipation, please contact your Weidmüller representative.		



Height / Width / Depth 75 / 80 / 55 mm

Ordering data

RAL 7001	Standard	Order No.
		1305810000
RAL 9011	Ex enclosure	Order No.
		1306000000

Note The overview page lists the ambient temperatures.

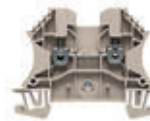
Accessories

Mounting plates and fastening screws	Order No.
Steel sheet, zinc plated	9510570000
Steel sheet, galvanized for applications with earthing plate	1534280000
Fastening screws for mounting plates	0642600000
Brass Earth Continuity Plate	Order No.
Brass	1390910000
External mounting feet, set of 4	Order No.
Stainless steel 1.4301	9510900000
Earthing stud	Order No.
Brass, M10	1277220000
Stainless steel 1.4404, M10	1283440000
Brass, M6	1277250000
Stainless steel 1.4404, M6	1283430000
Compensating element	Order No.
Polyamide 6, M12	1868570000
Stainless steel 1.4305, M12	1868550000
Stainless steel 1.4404, M20 for Ex applications	1344630000

Note

Max. number of terminals (industry)

Assembly with terminal	vertical	horizontal
2.5 mm ²	1x1*	1x5
4 mm ²	1x1*	1x4
6 mm ²		
10 mm ²		
16 mm ²		



Note * Please refer to the Terminal Block catalogue or the SAK Series for more information about assembling the enclosures with terminal blocks. We recommend a maximum of one BK 6, e.g. BK 6 CRN (0625220000), for vertical installation. There are no specified mounting options available for mounting the enclosure in a vertical position.

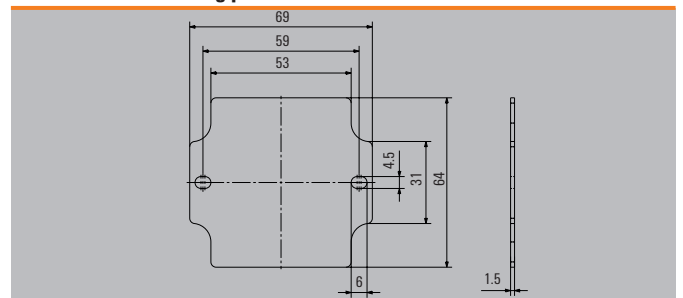
Number of cable entries

Number of cable entries	A / B	C / D
M12	4	1
M16	2	1
M20	1	1
M25	1	
M32		
M40		
M50		
M63		



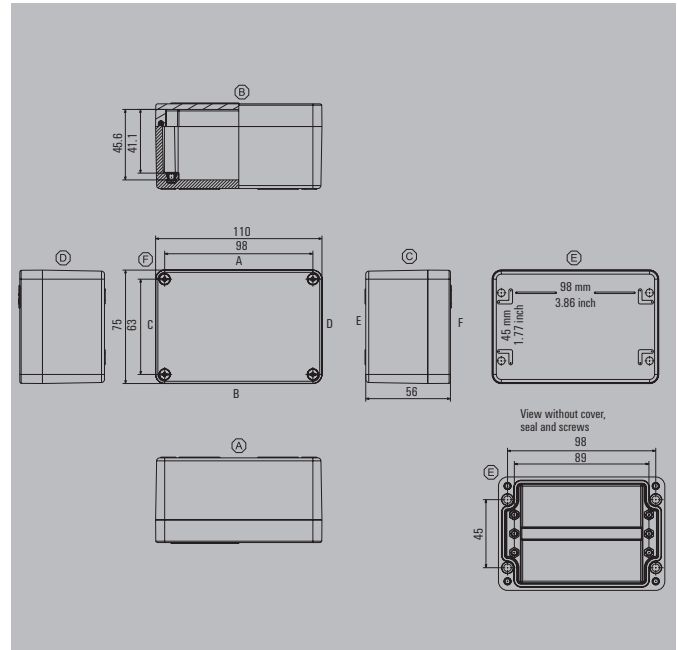
Note ** Our IP 68 plastic cable glands are used as the reference for these guideline values.

Dimensions of mounting plate



Klippon® POK 081106

Depth 56 mm



Height / Width / Depth 75 / 110 / 56 mm

Ordering data

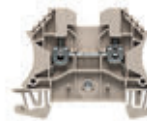
RAL 7001	Standard	Order No.
		1305820000
RAL 9011	Ex enclosure	Order No.
		1306010000
Note	The overview page lists the ambient temperatures.	

Accessories

Mounting plates and fastening screws	Order No.
Steel sheet, zinc plated	9510580000
Steel sheet, galvanized for applications with earthing plate	1534290000
Fastening screws for mounting plates	0642600000
Brass Earth Continuity Plate	Order No.
Brass	1390920000
External mounting feet, set of 4	Order No.
Stainless steel 1.4301	9510900000
Earthing stud	Order No.
Brass, M10	1277220000
Stainless steel 1.4404, M10	1283440000
Brass, M6	1277250000
Stainless steel 1.4404, M6	1283430000
Compensating element	Order No.
Polyamide 6, M12	1868570000
Stainless steel 1.4305, M12	1868550000
Stainless steel 1.4404, M20 for Ex applications	1344630000

Max. number of terminals (industry)

Assembly with terminal	vertical	horizontal
2.5 mm ²	1x1*	1x10
4 mm ²	1x1*	1x9
6 mm ²		
10 mm ²		
16 mm ²		



Note * Please refer to the Terminal Block catalogue or the SAK Series for more information about assembling the enclosures with terminal blocks. We recommend a maximum of one BK 6, e.g. BK 6 CRN (0625220000), for vertical installation. There are no specified mounting options available for mounting the enclosure in a vertical position.

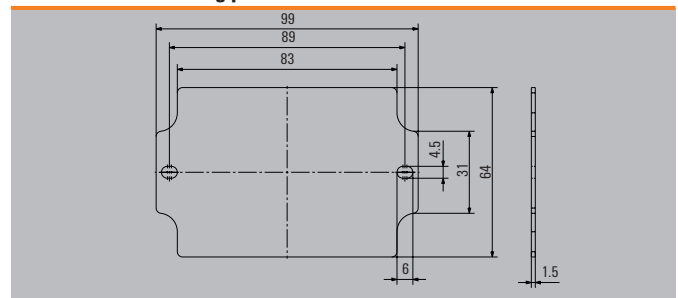
Number of cable entries

Number of cable entries	A / B	C / D
M12	7	1
M16	3	1
M20	2	1
M25	2	
M32		
M40		
M50		
M63		

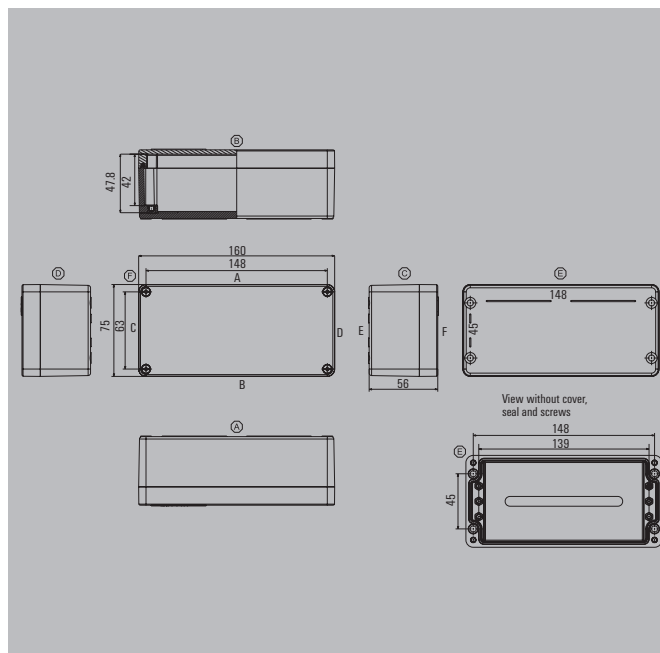


Note ** Our IP 68 plastic cable glands are used as the reference for these guideline values.

Dimensions of mounting plate



Note



Height / Width / Depth 75 / 160 / 56 mm

Ordering data

RAL 7001	Standard	Order No.
		1305830000
RAL 9011	Ex enclosure	Order No.
		1306020000

Note The overview page lists the ambient temperatures.

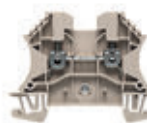
Accessories

Mounting plates and fastening screws	Order No.
Steel sheet, zinc plated	9510680000
Steel sheet, galvanized for applications with earthing plate	1534310000
Fastening screws for mounting plates	0642600000
Brass Earth Continuity Plate	Order No.
Brass	1390930000
External mounting feet, set of 4	Order No.
Stainless steel 1.4301	9510900000
Earthing stud	Order No.
Brass, M10	1277220000
Stainless steel 1.4404, M10	1283440000
Brass, M6	1277250000
Stainless steel 1.4404, M6	1283430000
Compensating element	Order No.
Polyamide 6, M12	1868570000
Stainless steel 1.4305, M12	1868550000
Stainless steel 1.4404, M20 for Ex applications	1344630000

Note

Max. number of terminals (industry)

Assembly with terminal	vertical	horizontal
2.5 mm ²	*	1x20
4 mm ²	*	1x17
6 mm ²		
10 mm ²		
16 mm ²		



Note * Please refer to the Terminal Block catalogue or the SAK Series for more information about assembling the enclosures with terminal blocks. We recommend a maximum of one BK 6, e.g. BK 6 CRN (0625220000), for vertical installation. There are no specified mounting options available for mounting the enclosure in a vertical position.

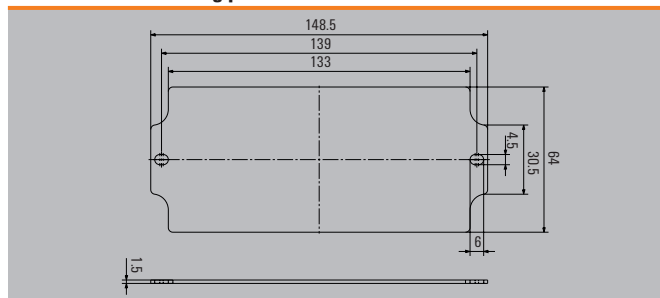
Number of cable entries

Number of cable entries	A / B	C / D
M12	11	1
M16	5	1
M20	4	1
M25	3	
M32		
M40		
M50		
M63		



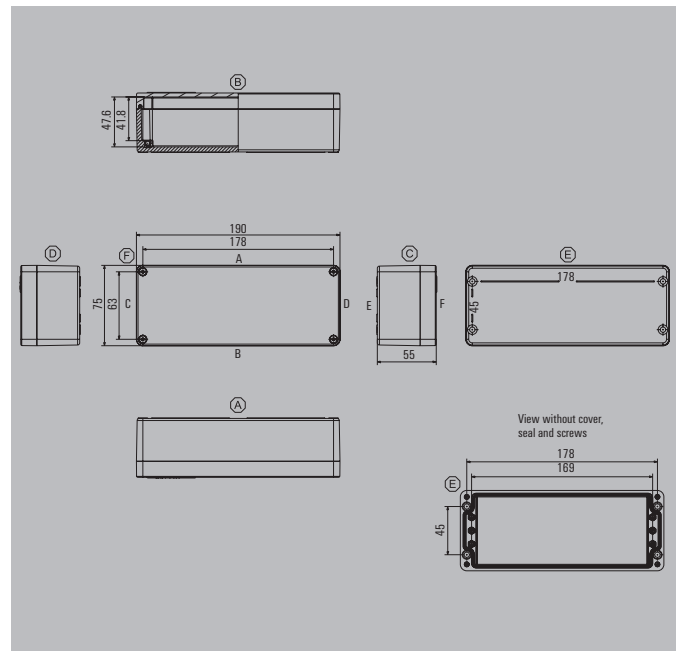
Note ** Our IP 68 plastic cable glands are used as the reference for these guideline values.

Dimensions of mounting plate



Klippon® POK 081906

Depth 55 mm



Height / Width / Depth 75 / 190 / 55 mm

Ordering data

RAL 7001	Standard	Order No.
		1305840000
RAL 9011	Ex enclosure	Order No.
		1306030000

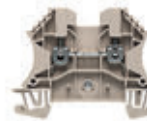
Note The overview page lists the ambient temperatures.

Accessories

Mounting plates and fastening screws	Order No.
Steel sheet, zinc plated	9510690000
Steel sheet, galvanized for applications with earthing plate	1534320000
Fastening screws for mounting plates	0642600000
Brass Earth Continuity Plate	Order No.
Brass	1390940000
External mounting feet, set of 4	Order No.
Stainless steel 1.4301	9510900000
Earthing stud	Order No.
Brass, M10	1277220000
Stainless steel 1.4404, M10	1283440000
Brass, M6	1277250000
Stainless steel 1.4404, M6	1283430000
Compensating element	Order No.
Polyamide 6, M12	1868570000
Stainless steel 1.4305, M12	1868550000
Stainless steel 1.4404, M20 for Ex applications	1344630000

Max. number of terminals (industry)

Assembly with terminal	vertical	horizontal
2.5 mm ²	*	1x26
4 mm ²	*	1x22
6 mm ²		
10 mm ²		
16 mm ²		



Note

* Please refer to the Terminal Block catalogue or the SAK Series for more information about assembling the enclosures with terminal blocks. We recommend a maximum of one BK 6, e.g. BK 6 CRN (0625220000), for vertical installation. There are no specified mounting options available for mounting the enclosure in a vertical position.

Number of cable entries

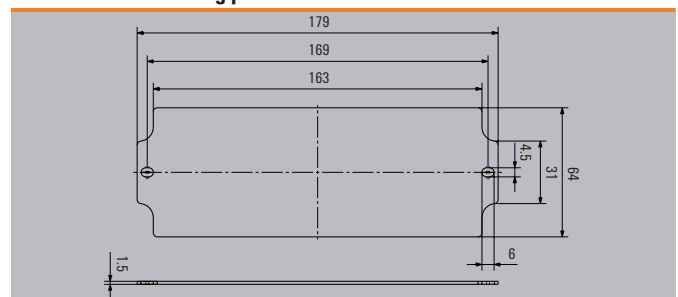
Number of cable entries	A / B	C / D
M12	14	1
M16	6	1
M20	5	1
M25	4	
M32		
M40		
M50		
M63		



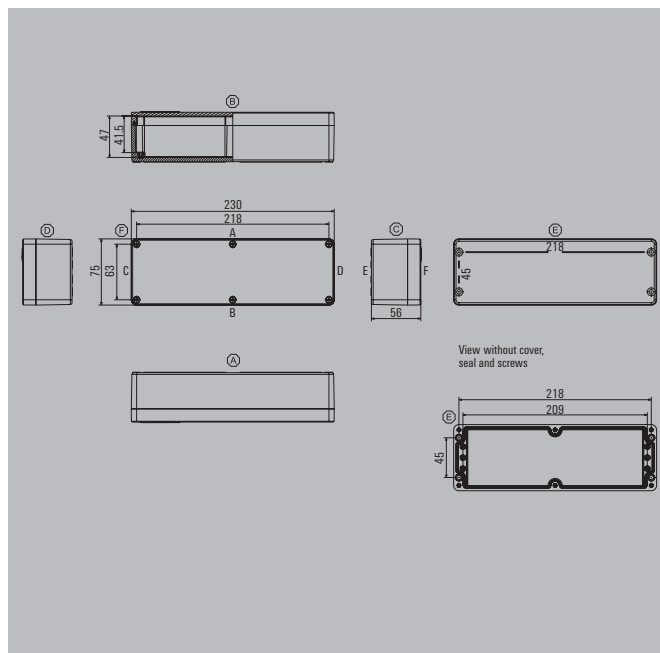
Note

** Our IP 68 plastic cable glands are used as the reference for these guideline values.

Dimensions of mounting plate



Note



Height / Width / Depth 75 / 230 / 56 mm

Ordering data

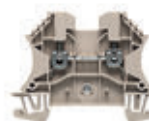
RAL 7001	Standard	Order No.
		1305850000
RAL 9011	Ex enclosure	Order No.
		1306040000
Note	The overview page lists the ambient temperatures.	

Accessories

Mounting plates and fastening screws	Order No.
Steel sheet, galvanized for applications with earthing plate	1534330000
Fastening screws for mounting plates	0642600000
Brass Earth Continuity Plate	Brass
	1390950000
External mounting feet, set of 4	Stainless steel 1.4301
	9510900000
Earthing stud	Brass, M10
	1277220000
	Stainless steel 1.4404, M10
	1283440000
	Brass, M6
	1277250000
	Stainless steel 1.4404, M6
	1283430000
Compensating element	Polyamide 6, M12
	1868570000
	Stainless steel 1.4305, M12
	1868550000
	Stainless steel 1.4404, M20 for Ex applications
	1344630000

Max. number of terminals (industry)

Assembly with terminal	vertical	horizontal
2.5 mm ²	*	1x33
4 mm ²	*	1x28
6 mm ²		
10 mm ²		
16 mm ²		



Note * Please refer to the Terminal Block catalogue or the SAK Series for more information about assembling the enclosures with terminal blocks. We recommend a maximum of one BK 6, e.g. BK 6 CRN (0625220000), for vertical installation. There are no specified mounting options available for mounting the enclosure in a vertical position.

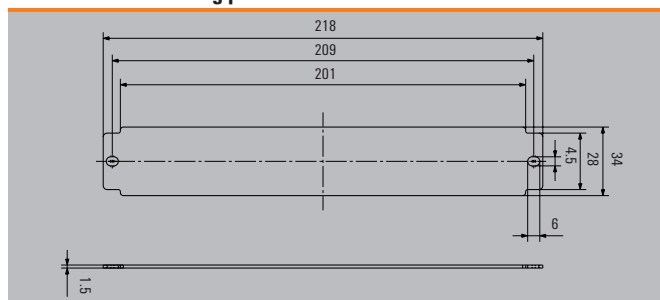
Number of cable entries

Number of cable entries	A / B	C / D
M12	16	1
M16	6	1
M20	6	1
M25	4	
M32		
M40		
M50		
M63		



Note ** Our IP 68 plastic cable glands are used as the reference for these guideline values.

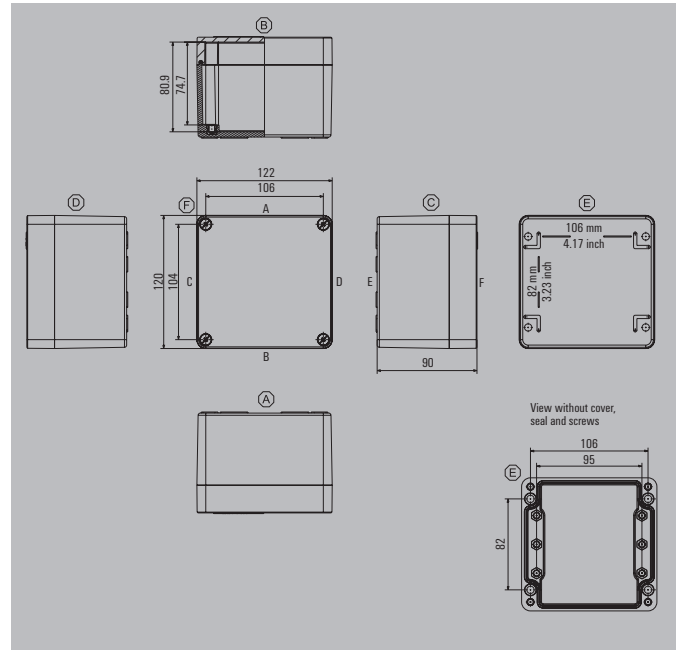
Dimensions of mounting plate



Note

Klippon® POK 121209

Depth **90 mm**



Height / Width / Depth 120 / 122 / 90 mm

Ordering data

RAL 7001	Standard	Order No.
		1305870000
RAL 9011	Ex enclosure	Order No.
		1306050000

Note The overview page lists the ambient temperatures.

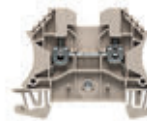
Accessories

Mounting plates and fastening screws	Order No.
Steel sheet, zinc plated	9510590000
Steel sheet, galvanized for applications with earthing plate	1534340000
Fastening screws for mounting plates	0642600000
Brass Earth Continuity Plate	Order No.
Brass	1390970000
External mounting feet, set of 4	Order No.
Stainless steel 1.4301	9510910000
Earthing stud	Order No.
Brass, M10	1277220000
Stainless steel 1.4404, M10	1283440000
Brass, M6	1277250000
Stainless steel 1.4404, M6	1283430000
Compensating element	Order No.
Polyamide 6, M12	1868570000
Stainless steel 1.4305, M12	1868550000
Stainless steel 1.4404, M20 for Ex applications	1344630000

Note

Max. number of terminals (industry)

Assembly with terminal	vertical	horizontal
2.5 mm ²	*	1x12
4 mm ²	*	1x10
6 mm ²		1x7
10 mm ²		1x6
16 mm ²		1x5



Note The assembly with terminal rails is designed for direct mounting. The assembly with modular terminals gives consideration to a distance of 10 mm from the end of each mounting rail. Order recommendations: TS 35 mounting rail (screw terminal) WDU 2.5 1020000000 / (tension clamp terminal) ZDU 2.5 1608510000 *There are no specified mounting options available for vertical mounting in the enclosure.

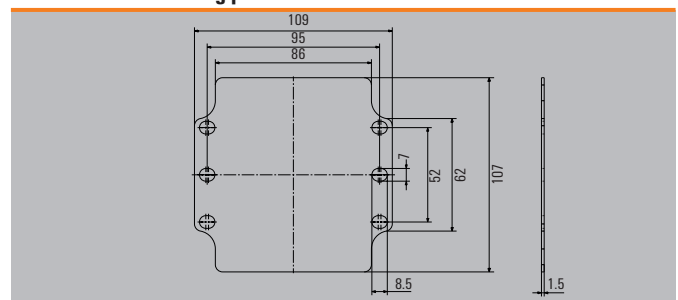
Number of cable entries

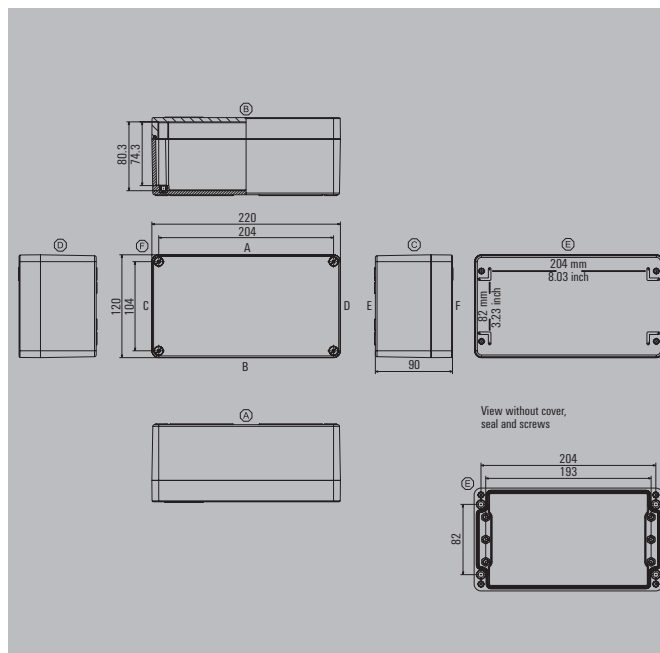
Number of cable entries	A / B	C / D
M12	12	8
M16	6	4
M20	4	3
M25	2	1
M32	1	1
M40		
M50		
M63		



Note ** Our IP 68 plastic cable glands are used as the reference for these guideline values.

Dimensions of mounting plate





Height / Width / Depth 120 / 220 / 90 mm

Ordering data

RAL 7001	Standard	Order No.
		1305880000
RAL 9011	Ex enclosure	Order No.
		1306070000

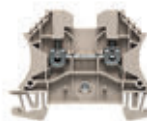
Note The overview page lists the ambient temperatures.

Accessories

Mounting plates and fastening screws	Order No.
Steel sheet, zinc plated	9510600000
Steel sheet, galvanized for applications with earthing plate	1534350000
Fastening screws for mounting plates	0642600000
Brass Earth Continuity Plate	Order No.
Brass	1390980000
External mounting feet, set of 4	Order No.
Stainless steel 1.4301	9510910000
Earthing stud	Order No.
Brass, M10	1277220000
Stainless steel 1.4404, M10	1283440000
Brass, M6	1277250000
Stainless steel 1.4404, M6	1283430000
Compensating element	Order No.
Polyamide 6, M12	1868570000
Stainless steel 1.4305, M12	1868550000
Stainless steel 1.4404, M20 for Ex applications	1344630000

Max. number of terminals (industry)

Assembly with terminal	vertical	horizontal
2.5 mm ²	*	1x31
4 mm ²	*	1x26
6 mm ²		1x19
10 mm ²		1x15
16 mm ²		1x13



Note The assembly with terminal rails is designed for direct mounting. The assembly with modular terminals gives consideration to a distance of 10 mm from the end of each mounting rail. Order recommendations: TS 35 mounting rail (screw terminal) WDU 2.5 1020000000 / (tension clamp terminal) ZDU 2.5 1608510000 *There are no specified mounting options available for vertical mounting in the enclosure.

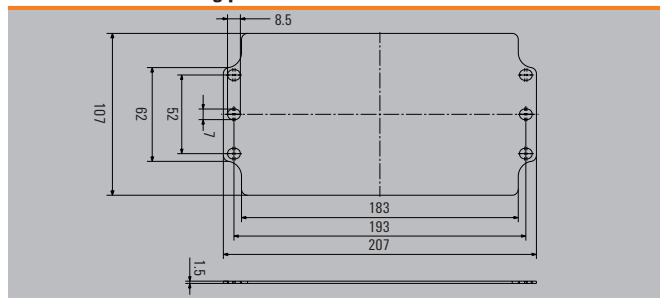
Number of cable entries

Number of cable entries	A / B	C / D
M12	24	8
M16	14	4
M20	12	3
M25	5	1
M32	4	1
M40	3	
M50		
M63		

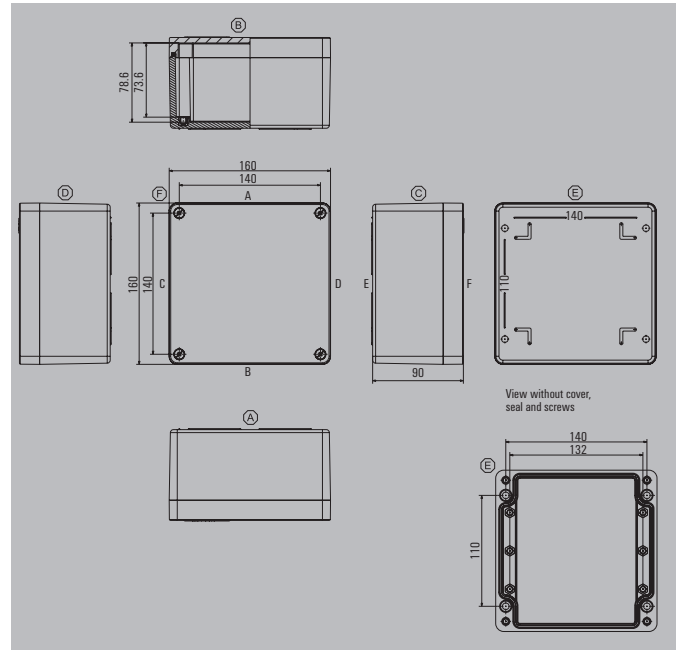


Note ** Our IP 68 plastic cable glands are used as the reference for these guideline values.

Dimensions of mounting plate



Note



Height / Width / Depth 160 / 160 / 90 mm

Ordering data

RAL 7001	Standard	Order No.
		1305890000
RAL 9011	Ex enclosure	Order No.
		1306080000

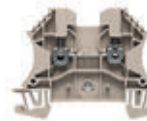
Note The overview page lists the ambient temperatures.

Accessories

Mounting plates and fastening screws	Order No.
Steel sheet, zinc plated	9510610000
Steel sheet, galvanized for applications with earthing plate	1534360000
Fastening screws for mounting plates	0642600000
Brass Earth Continuity Plate	Order No.
Brass	1390990000
External mounting feet, set of 4	Order No.
Stainless steel 1.4301	9510910000
Earthing stud	Order No.
Brass, M10	1277220000
Stainless steel 1.4404, M10	1283440000
Brass, M6	1277250000
Stainless steel 1.4404, M6	1283430000
Compensating element	Order No.
Polyamide 6, M12	1868570000
Stainless steel 1.4305, M12	1868550000
Stainless steel 1.4404, M20 for Ex applications	1344630000

Max. number of terminals (industry)

Assembly with terminal	vertical	horizontal
2.5 mm ²	*	1x17
4 mm ²	*	1x14
6 mm ²		1x11
10 mm ²		1x9
16 mm ²		1x7



Note The assembly with terminal rails is designed for direct mounting. The assembly with modular terminals gives consideration to a distance of 10 mm from the end of each mounting rail.
Order recommendations: TS 35 mounting rail (screw terminal) WDU 2.5 1020000000 / (tension clamp terminal) ZDU 2.5 1608510000
*There are no specified mounting options available for vertical mounting in the enclosure.

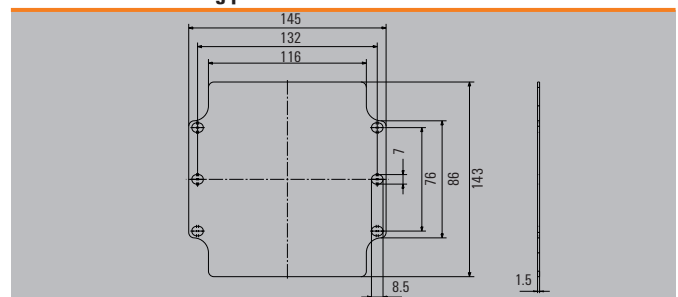
Number of cable entries

Number of cable entries	A / B	C / D
M12	15	11
M16	12	6
M20	6	4
M25	3	2
M32	2	2
M40	2	1
M50		
M63		

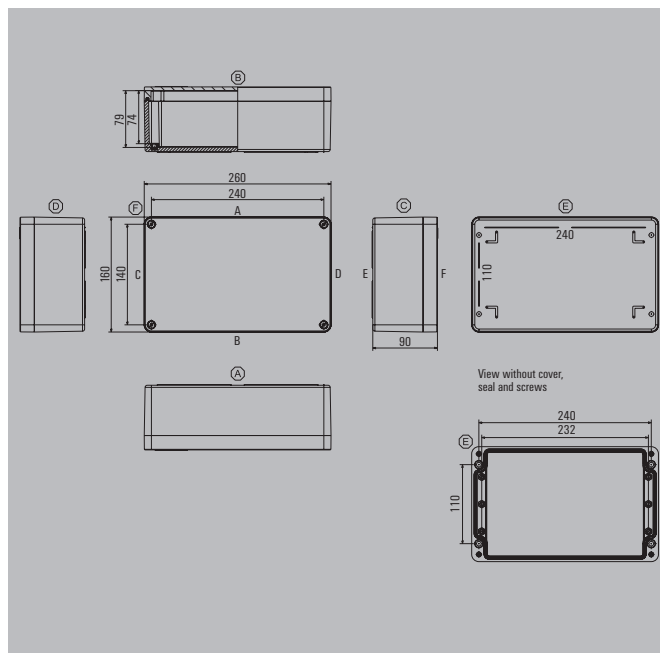


Note ** Our IP 68 plastic cable glands are used as the reference for these guideline values.

Dimensions of mounting plate



Note



Height / Width / Depth 160 / 260 / 90 mm

Ordering data

RAL 7001	Standard	Order No.
		1305900000
RAL 9011	Ex enclosure	Order No.
		1306090000

Note The overview page lists the ambient temperatures.

Accessories

Mounting plates and fastening screws	Order No.
Steel sheet, zinc plated	9510620000
Steel sheet, galvanized for applications with earthing plate	1534370000
Fastening screws for mounting plates	0642600000
Brass Earth Continuity Plate	Order No.
Brass	1391000000
External mounting feet, set of 4	Order No.
Stainless steel 1.4301	9510910000
Earthing stud	Order No.
Brass, M10	1277220000
Stainless steel 1.4404, M10	1283440000
Brass, M6	1277250000
Stainless steel 1.4404, M6	1283430000
Compensating element	Order No.
Polyamide 6, M12	1868570000
Stainless steel 1.4305, M12	1868550000
Stainless steel 1.4404, M20 for Ex applications	1344630000

Note

Max. number of terminals (industry)

Assembly with terminal	vertical	horizontal
2.5 mm ²	*	1x36
4 mm ²	*	1x30
6 mm ²		1x23
10 mm ²		1x16
16 mm ²		1x16

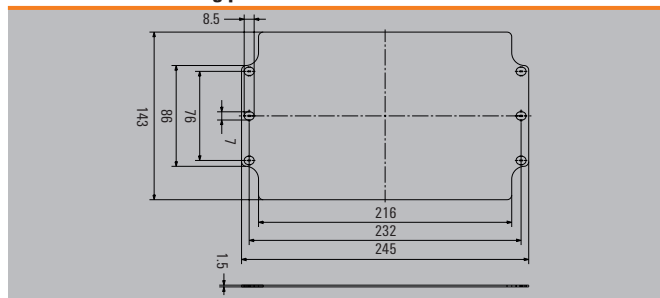
Note The assembly with terminal rails is designed for direct mounting. The assembly with modular terminals gives consideration to a distance of 10 mm from the end of each mounting rail.
 Order recommendations: TS 35 mounting rail (screw terminal) WDU 2.5 1020000000 / (tension clamp terminal) ZDU 2.5 1608510000
 *There are no specified mounting options available for vertical mounting in the enclosure.

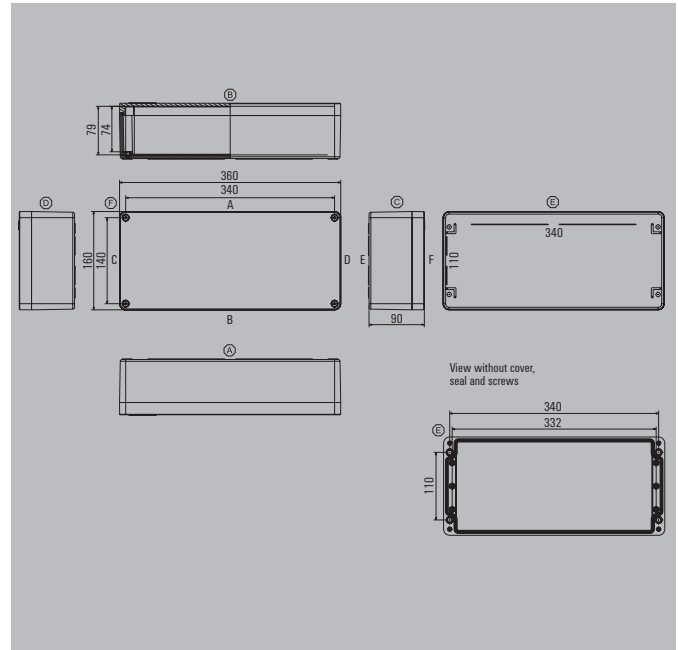
Number of cable entries

Number of cable entries	A / B	C / D
M12	30	11
M16	24	6
M20	14	4
M25	5	2
M32	4	2
M40	3	1
M50		
M63		

Note ** Our IP 68 plastic cable glands are used as the reference for these guideline values.

Dimensions of mounting plate





Height / Width / Depth 160 / 360 / 90 mm

Ordering data

RAL 7001	Standard	Order No.
		1305910000
RAL 9011	Ex enclosure	Order No.
		1306100000

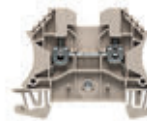
Note The overview page lists the ambient temperatures.

Accessories

Mounting plates and fastening screws	Order No.
Steel sheet, zinc plated	9510630000
Steel sheet, galvanized for applications with earthing plate	1534380000
Fastening screws for mounting plates	0642600000
Brass Earth Continuity Plate	Order No.
Brass	1391010000
External mounting feet, set of 4	Order No.
Stainless steel 1.4301	9510910000
Earthing stud	Order No.
Brass, M10	1277220000
Stainless steel 1.4404, M10	1283440000
Brass, M6	1277250000
Stainless steel 1.4404, M6	1283430000
Compensating element	Order No.
Polyamide 6, M12	1868570000
Stainless steel 1.4305, M12	1868550000
Stainless steel 1.4404, M20 for Ex applications	1344630000

Max. number of terminals (industry)

Assembly with terminal	vertical	horizontal
2.5 mm ²	*	1x56
4 mm ²	*	1x47
6 mm ²		1x36
10 mm ²		1x29
16 mm ²		1x24



Note The assembly with terminal rails is designed for direct mounting. The assembly with modular terminals gives consideration to a distance of 10 mm from the end of each mounting rail. Order recommendations: TS 35 mounting rail (screw terminal) WDU 2.5 1020000000 / (tension clamp terminal) ZDU 2.5 1608510000 *There are no specified mounting options available for vertical mounting in the enclosure.

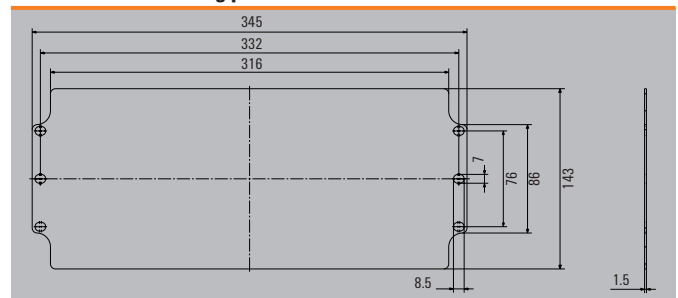
Number of cable entries

Number of cable entries	A / B	C / D
M12	45	11
M16	36	6
M20	20	4
M25	8	2
M32	6	2
M40	5	1
M50		
M63		

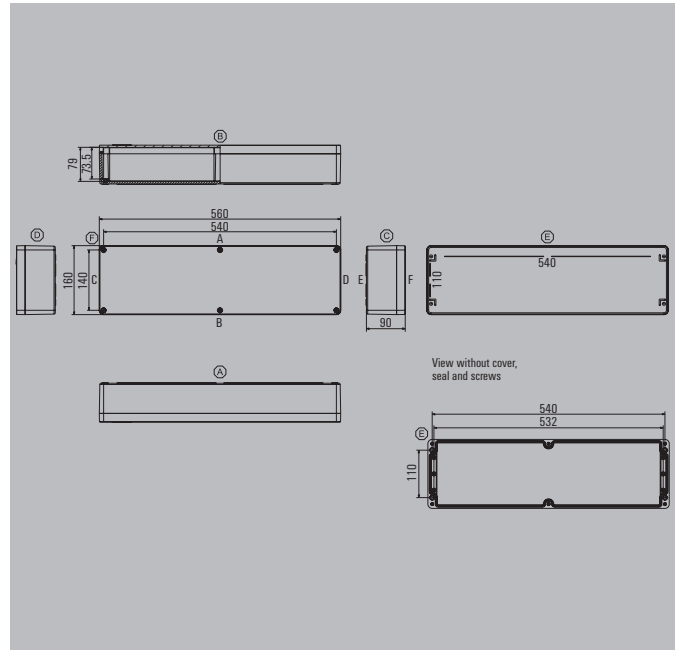


Note ** Our IP 68 plastic cable glands are used as the reference for these guideline values.

Dimensions of mounting plate



Note



Height / Width / Depth 160 / 560 / 90 mm

Ordering data

RAL 7001	Standard	Order No.
		1305920000
RAL 9011	Ex enclosure	Order No.
		1306110000

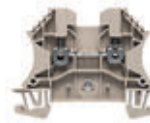
Note The overview page lists the ambient temperatures.

Accessories

Mounting plates and fastening screws	Order No.
Steel sheet, zinc plated	9510710000
Steel sheet, galvanized for applications with earthing plate	1534390000
Fastening screws for mounting plates	0642600000
Brass Earth Continuity Plate	Order No.
Brass	1391020000
External mounting feet, set of 4	Order No.
Stainless steel 1.4301	9510910000
Earthing stud	Order No.
Brass, M10	1277220000
Stainless steel 1.4404, M10	1283440000
Brass, M6	1277250000
Stainless steel 1.4404, M6	1283430000
Compensating element	Order No.
Polyamide 6, M12	1868570000
Stainless steel 1.4305, M12	1868550000
Stainless steel 1.4404, M20 for Ex applications	1344630000

Max. number of terminals (industry)

Assembly with terminal	vertical	horizontal
2.5 mm ²	*	1x94
4 mm ²	*	1x79
6 mm ²		1x60
10 mm ²		1x49
16 mm ²		1x41



Note The assembly with terminal rails is designed for direct mounting. The assembly with modular terminals gives consideration to a distance of 10 mm from the end of each mounting rail.
Order recommendations: TS 35 mounting rail (screw terminal) WDU 2.5 1020000000 / (tension clamp terminal) ZDU 2.5 1608510000
*There are no specified mounting options available for vertical mounting in the enclosure.

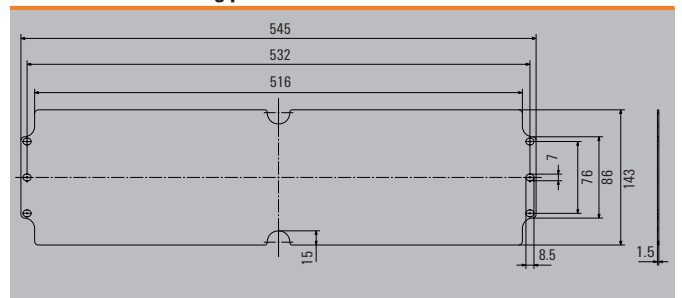
Number of cable entries

Number of cable entries	A / B	C / D
M12	66	11
M16	58	6
M20	32	4
M25	12	2
M32	10	2
M40	8	1
M50		
M63		



Note ** Our IP 68 plastic cable glands are used as the reference for these guideline values.

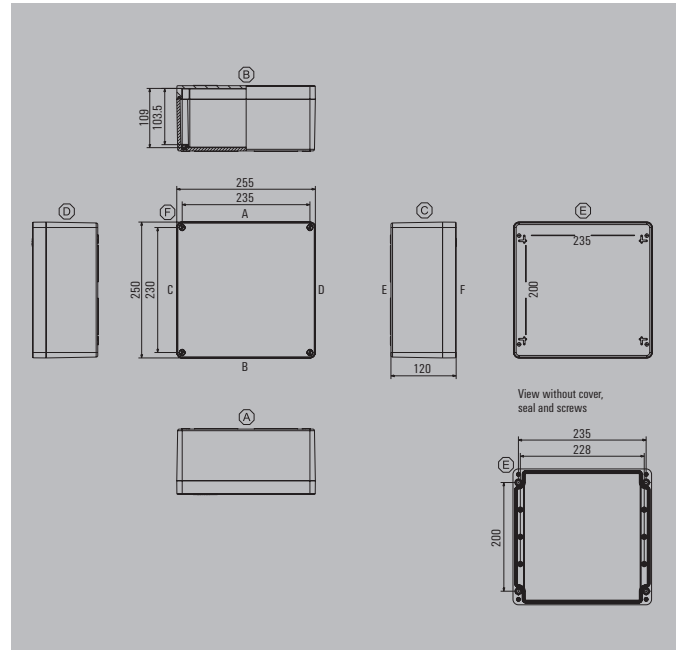
Dimensions of mounting plate



Note

Klippon® POK 252512

Depth 120 mm



Height / Width / Depth 250 / 255 / 120 mm

Ordering data

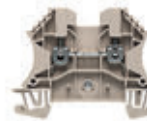
RAL 7001	Standard	Order No.
		1305930000
RAL 9011	Ex enclosure	Order No.
		1306120000
Note	The overview page lists the ambient temperatures.	

Accessories

Mounting plates and fastening screws	Order No.
Steel sheet, zinc plated	9510640000
Steel sheet, galvanized for applications with earthing plate	1534410000
Fastening screws for mounting plates	0642600000
Brass Earth Continuity Plate	Order No.
Brass	1391030000
External mounting feet, set of 4	Order No.
Stainless steel 1.4301	9510910000
Earthing stud	Order No.
Brass, M10	1277220000
Stainless steel 1.4404, M10	1283440000
Brass, M6	1277250000
Stainless steel 1.4404, M6	1283430000
Compensating element	Order No.
Polyamide 6, M12	1868570000
Stainless steel 1.4305, M12	1868550000
Stainless steel 1.4404, M20 for Ex applications	1344630000

Max. number of terminals (industry)

Assembly with terminal	vertical	horizontal
2.5 mm ²	*	2x38
4 mm ²	*	2x31
6 mm ²		2x23
10 mm ²		2x19
16 mm ²		2x15



Note The assembly with terminal rails is designed for direct mounting. The assembly with modular terminals gives consideration to a distance of 10 mm from the end of each mounting rail.
Order recommendations: TS 35 mounting rail (screw terminal) WDU 2.5 1020000000 / (tension clamp terminal) ZDU 2.5 1608510000
*There are no specified mounting options available for vertical mounting in the enclosure.

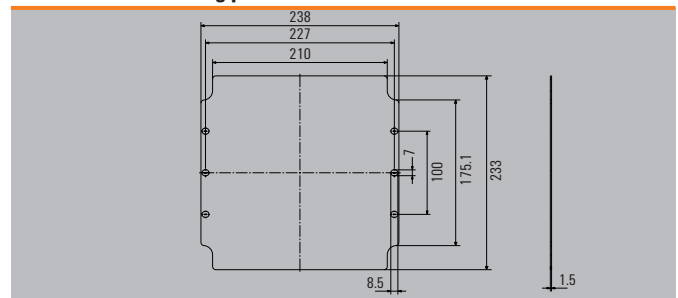
Number of cable entries

Number of cable entries	A / B	C / D
M12	36	32
M16	32	21
M20	10	15
M25	10	8
M32	8	3
M40	3	3
M50	2	2
M63		

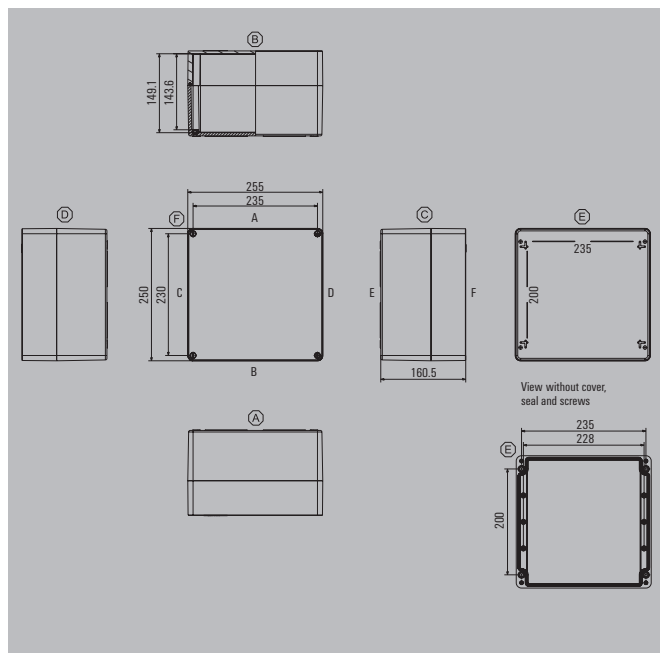


Note ** Our IP 68 plastic cable glands are used as the reference for these guideline values.

Dimensions of mounting plate



Note



Height / Width / Depth 250 / 255 / 160.5 mm

Ordering data

RAL 7001	Standard	Order No.
		1305980000
RAL 9011	Ex enclosure	Order No.
		1306170000

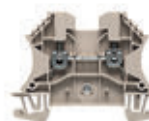
Note The overview page lists the ambient temperatures.

Accessories

Mounting plates and fastening screws	Order No.
Steel sheet, zinc plated	9510640000
Steel sheet, galvanized for applications with earthing plate	1534410000
Fastening screws for mounting plates	0642600000
Brass Earth Continuity Plate	Order No.
Brass	1391030000
External mounting feet, set of 4	Order No.
Stainless steel 1.4301	9510910000
Earthing stud	Order No.
Brass, M10	1277220000
Stainless steel 1.4404, M10	1283440000
Brass, M6	1277250000
Stainless steel 1.4404, M6	1283430000
Compensating element	Order No.
Polyamide 6, M12	1868570000
Stainless steel 1.4305, M12	1868550000
Stainless steel 1.4404, M20 for Ex applications	1344630000

Max. number of terminals (industry)

Assembly with terminal	vertical	horizontal
2.5 mm ²	*	2x38
4 mm ²	*	2x31
6 mm ²		2x23
10 mm ²		2x19
16 mm ²		2x15



Note The assembly with terminal rails is designed for direct mounting. The assembly with modular terminals gives consideration to a distance of 10 mm from the end of each mounting rail.
 Order recommendations:
 TS 35 mounting rail (screw terminal) WDU 2.5 1020000000 / (tension clamp terminal) ZDU 2.5 1608510000
 *There are no specified mounting options available for vertical mounting in the enclosure.

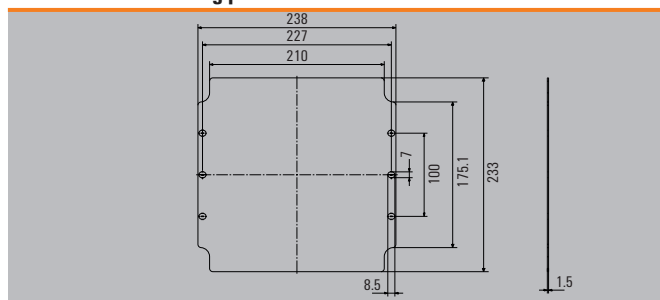
Number of cable entries

Number of cable entries	A / B	C / D
M12	36	32
M16	32	21
M20	18	15
M25	10	8
M32	8	3
M40	3	3
M50	2	2
M63		

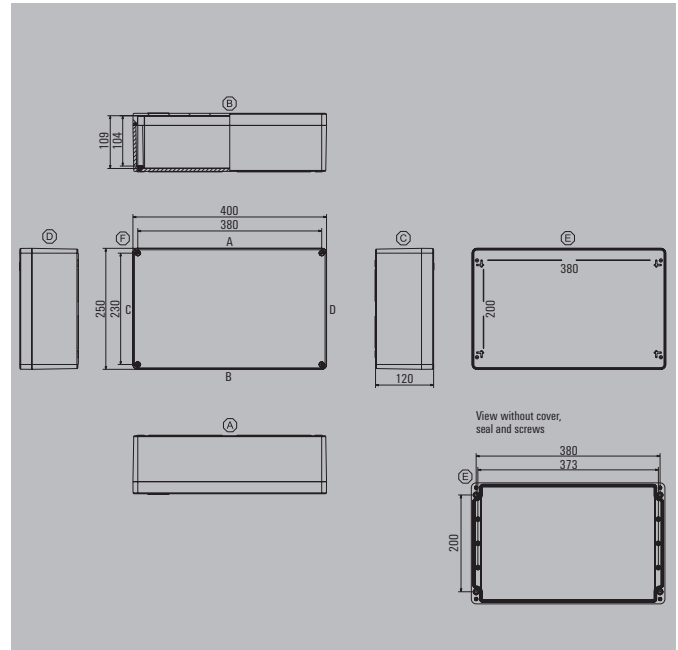


Note ** Our IP 68 plastic cable glands are used as the reference for these guideline values.

Dimensions of mounting plate



Note



Height / Width / Depth 250 / 400 / 120 mm

Ordering data

RAL 7001	Standard	Order No.
		1305940000
RAL 9011	Ex enclosure	Order No.
		1306130000

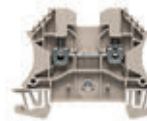
Note The overview page lists the ambient temperatures.

Accessories

Mounting plates and fastening screws	Order No.
Steel sheet, zinc plated	9510650000
Steel sheet, galvanized for applications with earthing plate	1534420000
Fastening screws for mounting plates	0642600000
Brass Earth Continuity Plate	Order No.
Brass	1391040000
External mounting feet, set of 4	Order No.
Stainless steel 1.4301	9510910000
Earthing stud	Order No.
Brass, M10	1277220000
Stainless steel 1.4404, M10	1283440000
Brass, M6	1277250000
Stainless steel 1.4404, M6	1283430000
Compensating element	Order No.
Polyamide 6, M12	1868570000
Stainless steel 1.4305, M12	1868550000
Stainless steel 1.4404, M20 for Ex applications	1344630000

Max. number of terminals (industry)

Assembly with terminal	vertical	horizontal
2.5 mm ²	*	2x67
4 mm ²	*	2x55
6 mm ²		2x41
10 mm ²		2x33
16 mm ²		2x27



Note The assembly with terminal rails is designed for direct mounting. The assembly with modular terminals gives consideration to a distance of 10 mm from the end of each mounting rail.
Order recommendations: TS 35 mounting rail (screw terminal) WDU 2.5 1020000000 / (tension clamp terminal) ZDU 2.5 1608510000
*There are no specified mounting options available for vertical mounting in the enclosure.

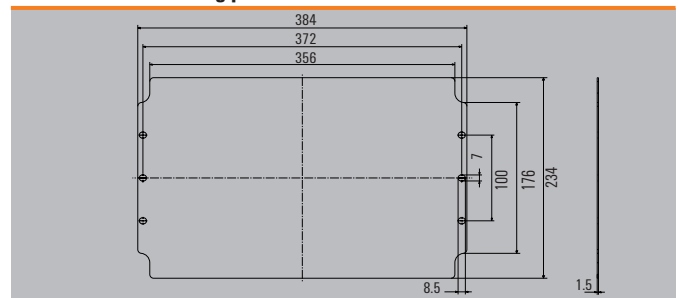
Number of cable entries

Number of cable entries	A / B	C / D
M12	62	32
M16	54	21
M20	33	15
M25	18	8
M32	14	3
M40	6	3
M50	4	2
M63		

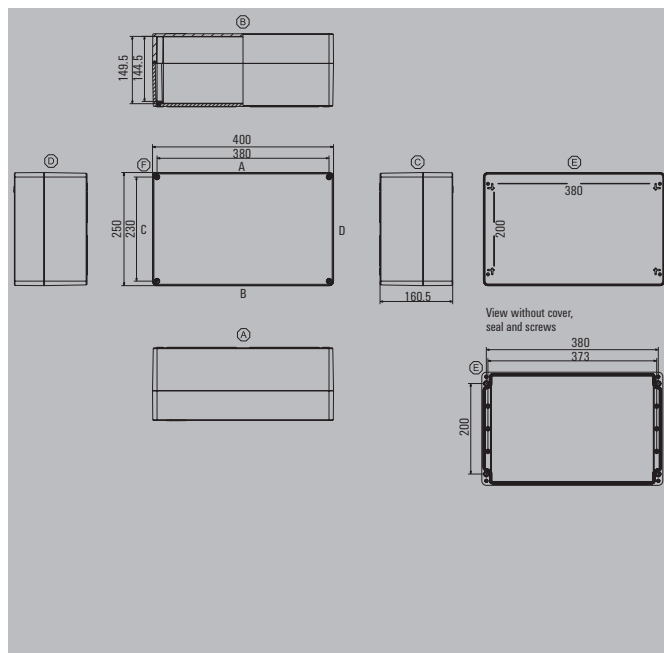


Note ** Our IP 68 plastic cable glands are used as the reference for these guideline values.

Dimensions of mounting plate



Note



Height / Width / Depth 250 / 400 / 160.5 mm

Ordering data

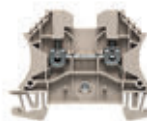
RAL 7001	Standard	Order No.
		1305990000
RAL 9011	Ex enclosure	Order No.
		1306180000
Note	The overview page lists the ambient temperatures.	

Accessories

Mounting plates and fastening screws	Order No.
Steel sheet, zinc plated	9510650000
Steel sheet, galvanized for applications with earthing plate	1534420000
Fastening screws for mounting plates	0642600000
Brass Earth Continuity Plate	Order No.
Brass	1391040000
External mounting feet, set of 4	Order No.
Stainless steel 1.4301	9510910000
Earthing stud	Order No.
Brass, M10	1277220000
Stainless steel 1.4404, M10	1283440000
Brass, M6	1277250000
Stainless steel 1.4404, M6	1283430000
Compensating element	Order No.
Polyamide 6, M12	1868570000
Stainless steel 1.4305, M12	1868550000
Stainless steel 1.4404, M20 for Ex applications	1344630000

Max. number of terminals (industry)

Assembly with terminal	vertical	horizontal
2.5 mm ²	*	2x67
4 mm ²	*	2x55
6 mm ²		2x41
10 mm ²		2x33
16 mm ²		2x27



Note The assembly with terminal rails is designed for direct mounting. The assembly with modular terminals gives consideration to a distance of 10 mm from the end of each mounting rail.
Order recommendations:
TS 35 mounting rail (screw terminal) WDU 2.5 1020000000 / (tension clamp terminal) ZDU 2.5 1608510000
*There are no specified mounting options available for vertical mounting in the enclosure.

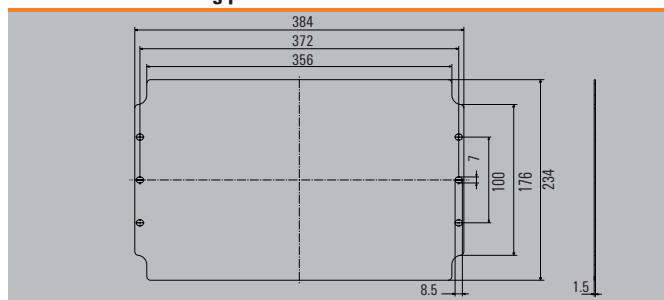
Number of cable entries

Number of cable entries	A / B	C / D
M12	62	32
M16	54	21
M20	33	15
M25	18	8
M32	14	3
M40	6	3
M50	4	2
M63		



Note ** Our IP 68 plastic cable glands are used as the reference for these guideline values.

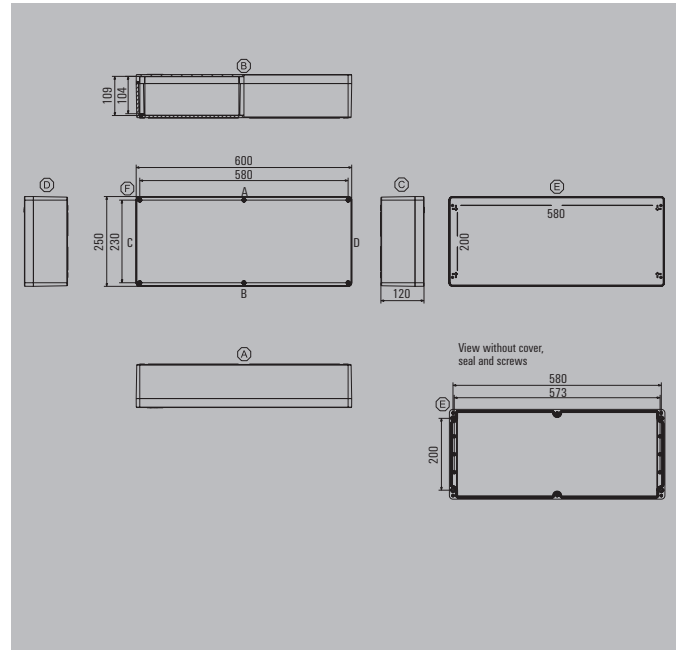
Dimensions of mounting plate



Note

Klippon® POK 256012

Depth 120 mm



Height / Width / Depth 250 / 600 / 120 mm

Ordering data

RAL 7001	Standard	Order No.
		1305950000
RAL 9011	Ex enclosure	Order No.
		1306140000

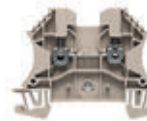
Note The overview page lists the ambient temperatures.

Accessories

Mounting plates and fastening screws	Order No.
Steel sheet, zinc plated	9510660000
Steel sheet, galvanized for applications with earthing plate	1534430000
Fastening screws for mounting plates	0642600000
Brass Earth Continuity Plate	Order No.
Brass	1391050000
External mounting feet, set of 4	Order No.
Stainless steel 1.4301	9510910000
Earthing stud	Order No.
Brass, M10	1277220000
Stainless steel 1.4404, M10	1283440000
Brass, M6	1277250000
Stainless steel 1.4404, M6	1283430000
Compensating element	Order No.
Polyamide 6, M12	1868570000
Stainless steel 1.4305, M12	1868550000
Stainless steel 1.4404, M20 for Ex applications	1344630000

Max. number of terminals (industry)

Assembly with terminal	vertical	horizontal
2.5 mm ²	*	2x107
4 mm ²	*	2x89
6 mm ²		2x66
10 mm ²		2x53
16 mm ²		2x44



Note The assembly with terminal rails is designed for direct mounting. The assembly with modular terminals gives consideration to a distance of 10 mm from the end of each mounting rail.
Order recommendations: TS 35 mounting rail (screw terminal) WDU 2.5 1020000000 / (tension clamp terminal) ZDU 2.5 1608510000
*There are no specified mounting options available for vertical mounting in the enclosure.

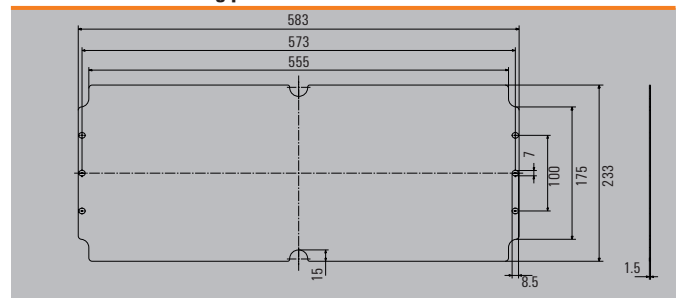
Number of cable entries

Number of cable entries	A / B	C / D
M12	96	32
M16	80	21
M20	24	15
M25	20	8
M32	20	3
M40	8	3
M50	6	2
M63		



Note ** Our IP 68 plastic cable glands are used as the reference for these guideline values.

Dimensions of mounting plate



Note



405 / 400 / 120 mm

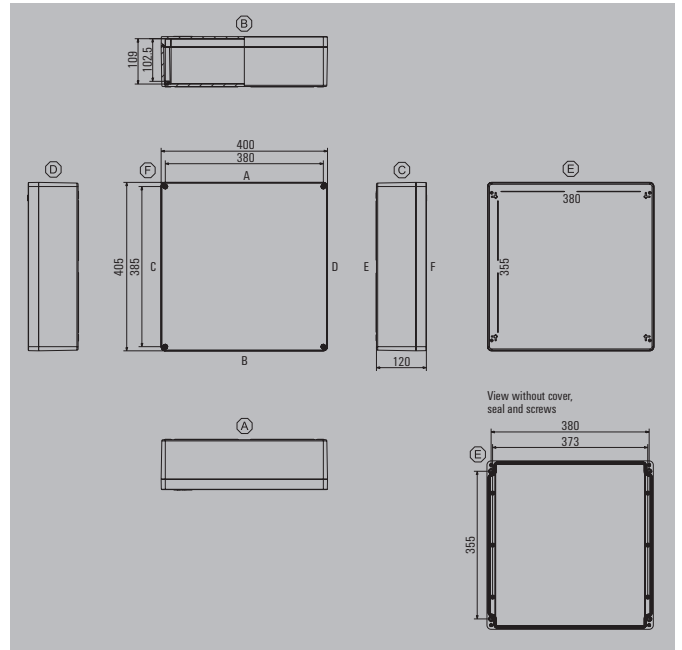
Ordering data

RAL 7001	Standard	Order No.
		1305970000
RAL 9011	Ex enclosure	Order No.
		1306150000
Note	The overview page lists the ambient temperatures.	

Accessories

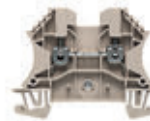
Mounting plates and fastening screws	Order No.
Steel sheet, zinc plated	9510670000
Steel sheet, galvanized for applications with earthing plate	1534440000
Fastening screws for mounting plates	0642600000
Brass Earth Continuity Plate	Order No.
Brass	1391070000
External mounting feet, set of 4	Order No.
Stainless steel 1.4301	9510910000
Earthing stud	Order No.
Brass, M10	1277220000
Stainless steel 1.4404, M10	1283440000
Brass, M6	1277250000
Stainless steel 1.4404, M6	1283430000
Compensating element	Order No.
Polyamide 6, M12	1868570000
Stainless steel 1.4305, M12	1868550000
Stainless steel 1.4404, M20 for Ex applications	1344630000

Note



Max. number of terminals (industry)

Assembly with terminal	vertical	horizontal
2.5 mm ²	*	3x67
4 mm ²	*	3x55
6 mm ²		3x41
10 mm ²		3x33
16 mm ²		3x27



Note

The assembly with terminal rails is designed for direct mounting. The assembly with modular terminals gives consideration to a distance of 10 mm from the end of each mounting rail.
Order recommendations:
TS 35 mounting rail (screw terminal) WDU 2.5 1020000000 / (tension clamp terminal) ZDU 2.5 1608510000
*There are no specified mounting options available for vertical mounting in the enclosure.

Number of cable entries

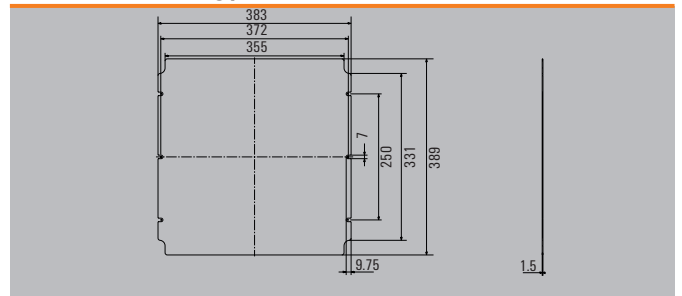
Number of cable entries	A / B	C / D
M12	62	60
M16	54	39
M20	33	30
M25	18	18
M32	14	7
M40	6	5
M50	4	4
M63		



Note

** Our IP 68 plastic cable glands are used as the reference for these guideline values.

Dimensions of mounting plate



TBF – Large polyester enclosures

The enclosures in the TBF range are made from sturdy glass-fibre reinforced polyester. They offer a universal solution for protection of components such as controllers, measuring instruments, valves and other devices. Suitable applications include photovoltaics and energy distribution.

Key features of this product range include:

- Available in 9 sizes, with grey or transparent lids
- The lid has nylon screws fitted
- Mounting holes are outside the sealed area
- Thread for fitting to terminal rails and mounting plates
- High Ingress Protection (IP 66 and IP 67)

Weidmüller can manufacture and supply this enclosure to match customer specifications and fitted with all necessary terminals and cable glands.



Overview of enclosures

Ordering data

Description	Dimensions in mm	Grey lid	Transparent lid
TBF 19/15	186 x 151 x 140	0360100000	0500500000
TBF 30/19	302 x 186 x 175	0360200000	0500600000
TBF 30/30	302 x 302 x 175	0360300000	0500700000
TBF 37/30	372 x 302 x 175	0360400000	0500800000
TBF 49/30	488 x 302 x 175 / 210	9502800000	9502840000
TBF 56/30	558 x 302 x 175 / 210	9502810000	9502850000
TBF 60/30	603 x 302 x 175 / 210	0360500000	0500900000
TBF 60/37	603 x 372 x 175 / 210	9502820000	9502860000
TBF 60/60	603 x 603 x 175 / 210	9502830000	9502870000

Note

Technical Overview

Features

- Extremely tough and impact resistant thanks to the glass-fibre reinforced polyester
- Extremely weather resistant
- High IP rating
- Approved according to the latest international standards

Note We deliver enclosures through our assembly service which are ready to be connected and suitable for every application.

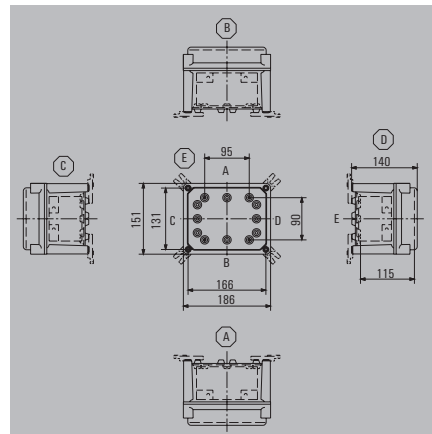
Technical data

	Grey lid	Transparent lid
Enclosure material	Base and lid made of glass-fibre reinforced polyester (GRP)	Base made of glass-fibre reinforced polyester (GRP) Lid is polycarbonate (PC)
Surface finish	grey, similar to RAL 7035	
IP protection class	IP 67	IP 66
Installation mounting	4 or 6 M4 clamping screws	4 or 6 M4 clamping screws
Enclosure mounting	4 holes of 7 mm diameter or with external fastening lugs, see accessories	4 holes of 7 mm diameter or with external fastening lugs, see accessories
Lid fixing	4 or 6 captive cross-headed nylon screws	4 or 6 captive cross-headed nylon screws
Impact resistance	IK08 to IEC 62208 IK10 to EN/IEC 62262	IK08 to IEC 62208 IK10 to EN/IEC 62262
Gasket material	Polyurethane	Polyurethane
Temperature range	-50 °C...+130 °C (Dauertemperatur max. 70°C)	-35 °C...+120 °C (Dauertemperatur max. 70°C)
Flammability characteristics	UL 94 HB	V2
Toxicity	Free from halogens	Free from halogens
Note	For details of power dissipation, please contact your Weidmüller representative.	



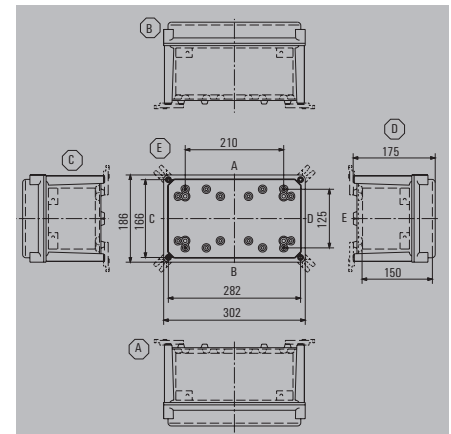
TBF 19/15

140 mm



TBF 30/19

175 mm



Height / Width / Depth

186 / 151 / 140 mm

302 / 186 / 175 mm

Technical data

Assembly with terminal

- 2.5 mm²
- 4 mm²
- 6 mm²
- 10 mm²
- 16 mm²
- 35 mm²

Number of cable entries

- M12
- M16
- M20
- M25
- M32
- M40
- M50
- M63
- M75

Note

	vertical	horizontal
	1x11	1x18
	1x9	1x15
	1x7	1x7
	1x6	1x9
	1x4	1x6
	1x3	1x5
A / B	C / D	
11	11	
6	6	
2	2	
2	2	
1	1	
1	1	

	vertical	horizontal
	2x22	1x44
	2x18	1x37
	2x14	2x14
	2x11	1x22
	2x8	1x16
	2x7	1x14
A / B	C / D	
28	53	
14	30	
11	22	
6	10	
3	5	
3	3	
1	3	
1	2	

Ordering data

- Enclosure with grey lid
- Enclosure with transparent lid

Note

Type	Qty.	Order No.
TBF 19/15/14 7035	1	0360100000
TBF 19/15/14 trsp	1	0500500000

Type	Qty.	Order No.
TBF 30/19/18 7035	1	0360200000
TBF 30/19/18 trsp	1	0500600000

Accessories

Mounting plates and fastening screws

- Steel sheet, zinc plated
- M4 screw

External mounting lug, set of 4

Polyamide

Earthing stud

- Brass, M6
- Stainless steel 1.4404, M6
- Brass, M10
- Stainless steel 1.4404, M10

Compensating element

- Polyamide 6, M12
- Stainless steel 1.4305, M12

Type	Qty.	Order No.
MP TBF 19/15	1	9502720000
FKSC M4X6 D8/SW2	100	1567480000
MF TBF	1	0360800000
PEBZ M6 BR SET	1	1277250000
PEBZ M6 S4 SET	1	1283430000
PEBZ M10 BR SET	1	1277220000
PEBZ M10 S4 SET	1	1283440000
DAE M12 PA long	10	1868570000
DAE M12 SS	10	1868550000

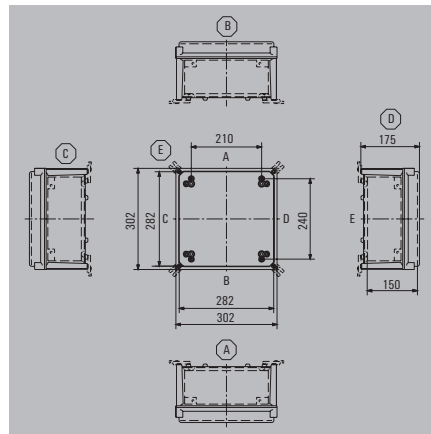
Type	Qty.	Order No.
MP TBF 30/19	1	3018950000
FKSC M4X6 D8/SW2	100	1567480000
MF TBF	1	0360800000
PEBZ M6 BR SET	1	1277250000
PEBZ M6 S4 SET	1	1283430000
PEBZ M10 BR SET	1	1277220000
PEBZ M10 S4 SET	1	1283440000
DAE M12 PA long	10	1868570000
DAE M12 SS	10	1868550000

Note



TBF 30/30

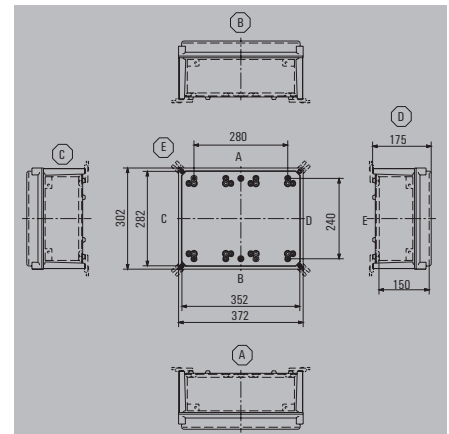
175 mm



302 / 302 / 175 mm

TBF 37/30

175 mm



372 / 302 / 175 mm

Height / Width / Depth

Technical data

Assembly with terminal

- 2.5 mm²
- 4 mm²
- 6 mm²
- 10 mm²
- 16 mm²
- 35 mm²

Number of cable entries

- M12
- M16
- M20
- M25
- M32
- M40
- M50
- M63
- M75

Note

	vertical	horizontal
	2x44	1x44
	2x37	1x37
	2x28	2x28
	2x22	1x22
	2x16	1x16
	2x14	1x14
	A / B	C / D
	44	44
	24	24
	20	20
	10	10
	4	4
	3	3
	3	3
	2	2

	vertical	horizontal
	2x57	2x44
	2x48	2x37
	2x36	2x36
	2x29	2x22
	2x21	2x16
	2x18	2x14
	A / B	C / D
	44	56
	24	30
	20	27
	10	12
	4	5
	3	4
	3	4
	2	3

Ordering data

- Enclosure with grey lid
- Enclosure with transparent lid

Note

Type	Qty.	Order No.
TBF 30/30/18 7035	1	0360300000
TBF 30/30/18 trsp	1	0500700000

Type	Qty.	Order No.
TBF 37/30/18 7035	1	0360400000
TBF 37/30/18 trsp	1	0500800000

Accessories

Mounting plates and fastening screws

- Steel sheet, zinc plated
- M4 screw

External mounting lug, set of 4

- Polyamide

Earthing stud

- Brass, M6
- Stainless steel 1.4404, M6
- Brass, M10
- Stainless steel 1.4404, M10

Compensating element

- Polyamide 6, M12
- Stainless steel 1.4305, M12

Type	Qty.	Order No.
MP TBF 30/30	1	9502730000
FKSC M4X6 D8/SW2	100	1567480000
MF TBF	1	0360800000
PEBZ M6 BR SET	1	1277250000
PEBZ M6 S4 SET	1	1283430000
PEBZ M10 BR SET	1	1277220000
PEBZ M10 S4 SET	1	1283440000
DAE M12 PA long	10	1868570000
DAE M12 SS	10	1868550000

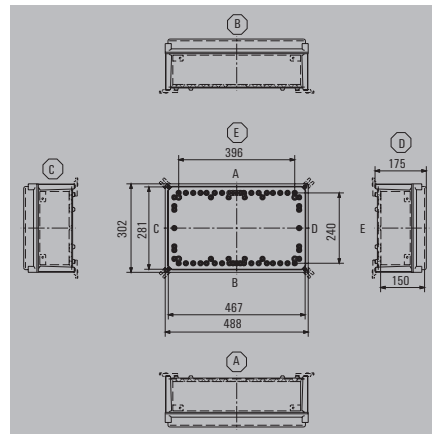
Type	Qty.	Order No.
MP TBF 37/30	1	9502740000
FKSC M4X6 D8/SW2	100	1567480000
MF TBF	1	0360800000
PEBZ M6 BR SET	1	1277250000
PEBZ M6 S4 SET	1	1283430000
PEBZ M10 BR SET	1	1277220000
PEBZ M10 S4 SET	1	1283440000
DAE M12 PA long	10	1868570000
DAE M12 SS	10	1868550000

Note



TBF 49/30

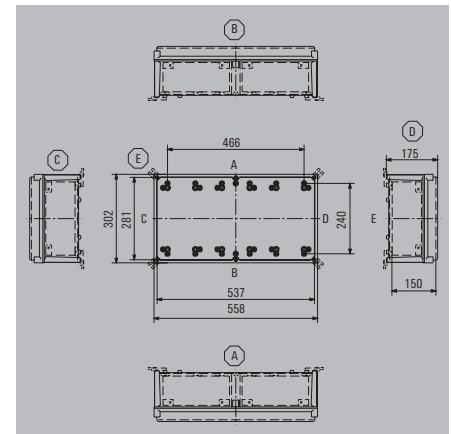
175 mm



488 / 302 / 175 mm

TBF 56/30

175 mm



558 / 302 / 175 mm

Height / Width / Depth

Technical data

Assembly with terminal

- 2.5 mm²
- 4 mm²
- 6 mm²
- 10 mm²
- 16 mm²
- 35 mm²

Number of cable entries

- M12
- M16
- M20
- M25
- M32
- M40
- M50
- M63
- M75

Note

	vertical	horizontal
	2x80	3x44
	2x67	3x37
	2x51	2x51
	2x41	3x22
	2x29	3x16
	2x25	3x14
	A / B	C / D
	44	42
	24	42
	20	36
	10	18
	4	7
	3	5
	3	5
	2	4

	vertical	horizontal
	2x94	4x44
	2x79	4x37
	2x59	2x59
	2x48	4x22
	2x34	4x16
	2x30	4x14
	A / B	C / D
	44	80
	24	46
	20	40
	10	18
	4	8
	3	6
	3	4
	2	4

Ordering data

- Enclosure with grey lid
- Enclosure with transparent lid

Note

Type	Qty.	Order No.
TBF 49/30/18 7035	1	950280000
TBF 49/30/21 trsp	1	950284000

Grey lid: 130 mm internal height, 175 mm total height
Transparent lid: 160 mm internal height, 210 mm total height

Type	Qty.	Order No.
TBF 56/30/18 7035	1	950281000
TBF 56/30/21 trsp	1	950285000

Grey lid: 130 mm internal height, 175 mm total height
Transparent lid: 160 mm internal height, 210 mm total height

Accessories

Mounting plates and fastening screws

- Steel sheet, zinc plated
- M4 screw

External mounting lug, set of 4

- Polyamide

Earthing stud

- Brass, M6
- Stainless steel 1.4404, M6
- Brass, M10
- Stainless steel 1.4404, M10

Compensating element

- Polyamide 6, M12
- Stainless steel 1.4305, M12

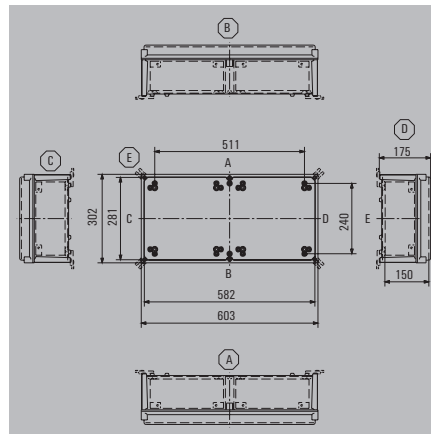
Type	Qty.	Order No.
MP TBF 49/30	1	950096000
FKSC M4X6 D8/SW2	100	156748000
MF TBF	1	036080000
PEBZ M6 BR SET	1	127725000
PEBZ M6 S4 SET	1	128343000
PEBZ M10 BR SET	1	127722000
PEBZ M10 S4 SET	1	128344000
DAE M12 PA long	10	186857000
DAE M12 SS	10	186855000

Type	Qty.	Order No.
MP TBF 56/30	1	950095000
FKSC M4X6 D8/SW2	100	156748000
MF TBF	1	036080000
PEBZ M6 BR SET	1	127725000
PEBZ M6 S4 SET	1	128343000
PEBZ M10 BR SET	1	127722000
PEBZ M10 S4 SET	1	128344000
DAE M12 PA long	10	186857000
DAE M12 SS	10	186855000

Note

TBF 60/30

175 mm



Height / Width / Depth

603 / 302 / 175 mm

Technical data

Assembly with terminal

- 2.5 mm²
- 4 mm²
- 6 mm²
- 10 mm²
- 16 mm²
- 35 mm²

Number of cable entries

- M12
- M16
- M20
- M25
- M32
- M40
- M50
- M63
- M75

Note

	vertical	horizontal
	5x44	1x101
	5x37	1x85
	5x28	5x28
	5x22	1x51
	5x16	1x37
	5x14	1x32
A / B	C / D	
44	88	
24	48	
20	40	
10	20	
4	8	
3	6	
3	6	
2	4	

Ordering data

- Enclosure with grey lid
- Enclosure with transparent lid

Note

Type	Qty.	Order No.
TBF 60/30/18 7035	1	0360500000
TBF 60/30/21 trsp	1	0500900000

Grey lid: 130 mm internal height, 175 mm total height
Transparent lid: 160 mm internal height, 210 mm total height

Accessories

Mounting plates and fastening screws

- Steel sheet, zinc plated
- M4 screw

External mounting lug, set of 4

Polyamide

Earthing stud

- Brass, M6
- Stainless steel 1.4404, M6
- Brass, M10
- Stainless steel 1.4404, M10

Compensating element

- Polyamide 6, M12
- Stainless steel 1.4305, M12

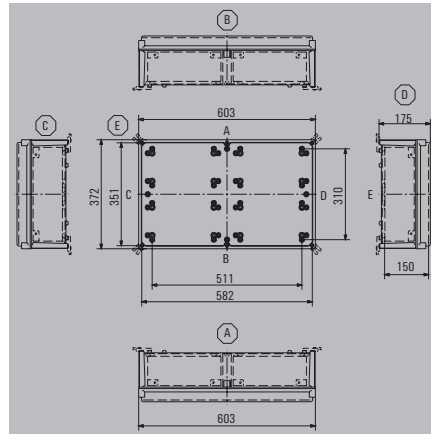
Type	Qty.	Order No.
MP TBF 60/30	1	9502750000
FKSC M4X6 D8/SW2	100	1567480000
MF TBF	1	0360800000
PEBZ M6 BR SET	1	1277250000
PEBZ M6 S4 SET	1	1283430000
PEBZ M10 BR SET	1	1277220000
PEBZ M10 S4 SET	1	1283440000
DAE M12 PA long	10	1868570000
DAE M12 SS	10	1868550000

Note



TBF 60/37

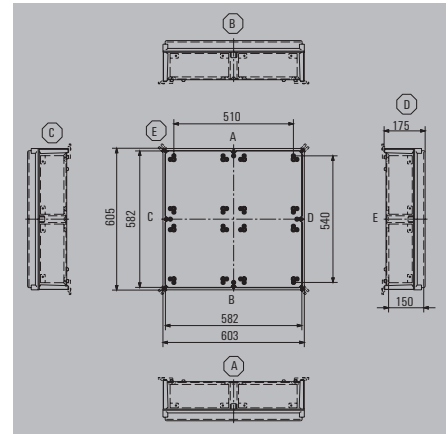
175 mm



603 / 372 / 175 mm

TBF 60/60

175 mm



603 / 605 / 175 mm

Height / Width / Depth

Technical data

Assembly with terminal

- 2.5 mm²
- 4 mm²
- 6 mm²
- 10 mm²
- 16 mm²
- 35 mm²

Number of cable entries

- M12
- M16
- M20
- M25
- M32
- M40
- M50
- M63
- M75

Note

	vertical	horizontal
	5x57	2x101
	5x48	2x85
	5x36	5x36
	5x29	2x51
	5x21	2x37
	5x18	2x32
A / B	C / D	
52	88	
30	48	
26	40	
12	20	
5	8	
4	6	
4	6	
3	4	

	vertical	horizontal
	5x101	4x101
	5x85	4x85
	5x64	5x64
	5x51	4x51
	5x37	4x37
	5x32	4x32
A / B	C / D	
88	88	
48	48	
40	40	
20	20	
8	8	
6	6	
6	6	
4	4	

Ordering data

- Enclosure with grey lid
- Enclosure with transparent lid

Note

Type	Qty.	Order No.
TBF 60/37/18 7035	1	9502820000
TBF 60/37/21 trsp	1	9502860000

Grey lid: 130 mm internal height, 175 mm total height
Transparent lid: 160 mm internal height, 210 mm total height

Type	Qty.	Order No.
TBF 60/60/18 7035	1	9502830000
TBF 60/60/21 trsp	1	9502870000

Grey lid: 130 mm internal height, 175 mm total height
Transparent lid: 160 mm internal height, 210 mm total height

Accessories

Mounting plates and fastening screws

- Steel sheet, zinc plated
- M4 screw

External mounting lug, set of 4

- Polyamide

Earthing stud

- Brass, M6
- Stainless steel 1.4404, M6
- Brass, M10
- Stainless steel 1.4404, M10

Compensating element

- Polyamide 6, M12
- Stainless steel 1.4305, M12

Type	Qty.	Order No.
MP TBF 60/37	1	9502910000
FKSC M4X6 D8/SW2	100	1567480000
MF TBF	1	0360800000
PEBZ M6 BR SET	1	1277250000
PEBZ M6 S4 SET	1	1283430000
PEBZ M10 BR SET	1	1277220000
PEBZ M10 S4 SET	1	1283440000
DAE M12 PA long	10	1868570000
DAE M12 SS	10	1868550000

Type	Qty.	Order No.
MP TBF 60/60	1	9502920000
FKSC M4X6 D8/SW2	100	1567480000
MF TBF	1	0360800000
PEBZ M6 BR SET	1	1277250000
PEBZ M6 S4 SET	1	1283430000
PEBZ M10 BR SET	1	1277220000
PEBZ M10 S4 SET	1	1283440000
DAE M12 PA long	10	1868570000
DAE M12 SS	10	1868550000

Note

MPC – Small polycarbonate enclosures

The polycarbonate enclosures of the MPC range are ideal for enclosing electrical, electro-mechanical and pneumatic devices as well as PCBs. The enclosures are used in situations with extreme mechanical and chemical conditions.

The characteristics of the enclosures are:

- Available in 17 sizes, with grey or transparent lids
- Lid fixing screws equipped with sealing holes
- Fixing holes outside the sealed area
- Thread for fitting to terminal rails, mounting plates and PCBs

Weidmüller can manufacture and supply this enclosure to match customer specifications and fitted with all necessary terminals and cable glands.



Overview of enclosures

Ordering data

Description	Dimensions in mm	Grey lid	Transparent lid
MPC 07/12/07	75 x 125 x 75	9535170000	9535180000
MPC 07/12/10	75 x 125 x 100	9535190000	9535200000
MPC 07/12/12	75 x 125 x 120	9535210000	9535220000
MPC 12/12/07	120 x 120 x 75	9535230000	9535240000
MPC 12/12/10	120 x 120 x 100	9535250000	9535260000
MPC 12/12/12	120 x 120 x 120	9535270000	9535280000
MPC 12/17/07	120 x 175 x 75	9535290000	9535300000
MPC 12/17/10	120 x 175 x 100	9535310000	9535320000
MPC 12/17/12	120 x 175 x 120	9535330000	9535340000
MPC 12/17/15	120 x 175 x 150	9535350000	9535360000
MPC 17/17/07	175 x 175 x 75	9535370000	9535380000
MPC 17/17/10	175 x 175 x 100	9535390000	9535400000
MPC 17/17/12	175 x 175 x 120	9535410000	
MPC 17/17/15	175 x 175 x 150	9535430000	9535440000
MPC 17/25/10	175 x 250 x 100	9535450000	
MPC 18/25/07	180 x 250 x 75	9535470000	9535480000
MPC 18/25/15	180 x 250 x 150	9535490000	9535500000

Note

Technical Overview

Features

- High thermal stability thanks to the polycarbonate
- Extremely tough and impact resistant thanks to the high fibre-glass content.
- Good IP rating, due to use of polyurethane (PUR) gasket material
- Approved according to the latest international standards

Note We deliver enclosures through our assembly service which are ready to be connected and suitable for every application.

Technical data

	Grey lid	Transparent lid
Enclosure material	Base and lid made of glass-fibre reinforced polycarbonate	Base made of glass-fibre reinforced polycarbonate, ABS lid
Cover	Grey	Transparent
Surface finish	Grey, similar to RAL 7035	Grey, similar to RAL 7035
IP protection class	IP 66, IP 67	IP 66, IP 67
Installation mounting	Self-tapping screws	Self-tapping screws
Enclosure mounting	4 holes (4.5 mm diameter) or external mounting brackets (optional)	4 holes (4.5 mm diameter) or external mounting brackets (optional)
Lid fixing	4 cross-head screws (polyamide)	4 cross-head screws (polyamide)
Gasket material	Polyurethane foam	Polyurethane foam
Temperature range	-50 °C...+100 °C	-40 °C...+60 °C
Impact resistance	IK 08	IK 06
Note	For details of power dissipation, please contact your Weidmüller representative.	



Height / Width / Depth

Technical data

Assembly with terminal

- 2.5 mm²
- 4 mm²
- 6 mm²
- 10 mm²
- 16 mm²
- 35 mm²

Number of cable entries

- M12
- M16
- M20
- M25
- M32
- M40
- M50
- M63
- M75

Note

Ordering data

- Enclosure with grey lid
- Enclosure with transparent lid

Note

Accessories

Mounting plates and fastening screws

- Steel sheet, zinc plated
- M4 screw

External mounting lug, set of 4

Hinge, set of 2

Earthing stud

- Brass, M6
- Stainless steel 1.4404, M6
- Brass, M10
- Stainless steel 1.4404, M10

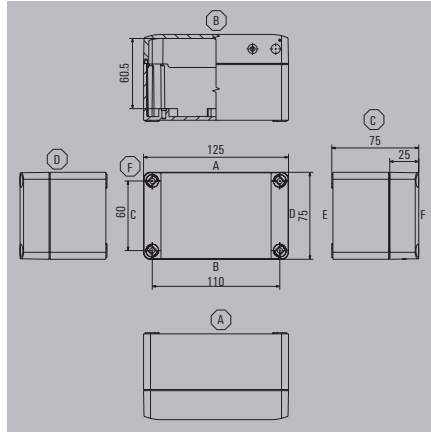
Compensating element

- Polyamide 6, M12
- Stainless steel 1.4305, M12

Note

MPC 07/12/07

75 mm



75 / 125 / 75 mm

vertical	horizontal
1x13	1x13
1x11	1x11
1x8	1x8
1x6	1x6

A / B	C / D
1	4
1	3
1	3

It is possible to mount the WDU terminal blocks on a TS 35.

Type	Qty.	Order No.
MPC 07/12/07 7035	1	9535170000
MPC 07/12/07 trsp	1	9535180000

Type	Qty.	Order No.
MP MPC 07/12	10	9535540000
FKSC M4X6 D8/SW2	100	1567480000

MF MPC	1	9535600000
--------	---	------------

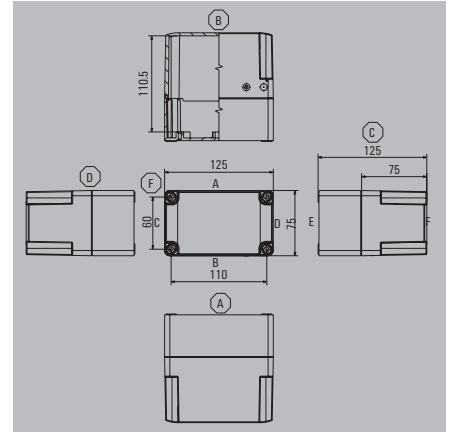
HG MPC	1	9535590000
--------	---	------------

PEBZ M6 BR SET	1	1277250000
PEBZ M6 S4 SET	1	1283430000
PEBZ M10 BR SET	1	1277220000
PEBZ M10 S4 SET	1	1283440000

DAE M12 PA long	10	1868570000
DAE M12 SS	10	1868550000

MPC 07/12/12

125 mm



75 / 125 / 125 mm

vertical	horizontal
1x13	1x13
1x11	1x11
1x8	1x8
1x6	1x6
1x5	1x1
1x4	1x1

A / B	C / D
1	4
1	3
1	3

It is possible to mount the WDU terminal blocks on a TS 35.

Type	Qty.	Order No.
MPC 07/12/12 7035	1	9535210000
MPC 07/12/12 trsp	1	9535220000

Type	Qty.	Order No.
MP MPC 07/12	10	9535540000
FKSC M4X6 D8/SW2	100	1567480000

MF MPC	1	9535600000
--------	---	------------

HG MPC	1	9535590000
--------	---	------------

PEBZ M6 BR SET	1	1277250000
PEBZ M6 S4 SET	1	1283430000
PEBZ M10 BR SET	1	1277220000
PEBZ M10 S4 SET	1	1283440000

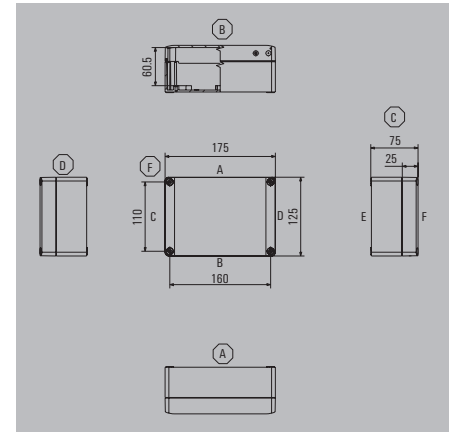
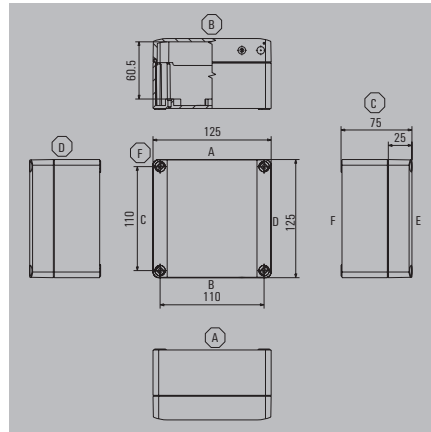
DAE M12 PA long	10	1868570000
DAE M12 SS	10	1868550000

MPC 12/12/07

75 mm

MPC 12/17/07

75 mm



Height / Width / Depth

125 / 125 / 75 mm

125 / 175 / 75 mm

Technical data

Assembly with terminal

2.5 mm²
4 mm²
6 mm²
10 mm²
16 mm²
35 mm²

Number of cable entries

M12
M16
M20
M25
M32
M40
M50
M63
M75

Note

vertical	horizontal
1x13	1x13
1x11	1x11
1x8	1x8
1x6	1x6

A / B	C / D
4	4
3	3
3	

It is possible to mount the WDU terminal blocks on a TS 35.

vertical	horizontal
1x22	1x22
1x19	1x19
1x14	1x14
1x11	1x11

A / B	C / D
4	6
3	4
3	4

It is possible to mount the WDU terminal blocks on a TS 35.

Ordering data

Enclosure with grey lid
Enclosure with transparent lid

Note

Type	Qty.	Order No.
MPC 12/12/07 7035	1	9535230000
MPC 12/12/07 trsp	1	9535240000

Type	Qty.	Order No.
MPC 12/17/07 7035	1	9535290000
MPC 12/17/07 trsp	1	9535300000

Accessories

Mounting plates and fastening screws

Steel sheet, zinc plated
M4 screw

External mounting lug, set of 4

Hinge, set of 2

Earthing stud

Brass, M6
Stainless steel 1.4404, M6
Brass, M10
Stainless steel 1.4404, M10

Compensating element

Polyamide 6, M12
Stainless steel 1.4305, M12

Note

Type	Qty.	Order No.
MP MPC 12/12	10	9535550000
FKSC M4X6 D8/SW2	100	1567480000

MF MPC	1	9535600000
--------	---	------------

HG MPC	1	9535590000
--------	---	------------

PEBZ M6 BR SET	1	1277250000
PEBZ M6 S4 SET	1	1283430000
PEBZ M10 BR SET	1	1277220000
PEBZ M10 S4 SET	1	1283440000

DAE M12 PA long	10	1868570000
DAE M12 SS	10	1868550000

Type	Qty.	Order No.
MP MPC 12/17	1	9535560000
FKSC M4X6 D8/SW2	100	1567480000

MF MPC	1	9535600000
--------	---	------------

HG MPC	1	9535590000
--------	---	------------

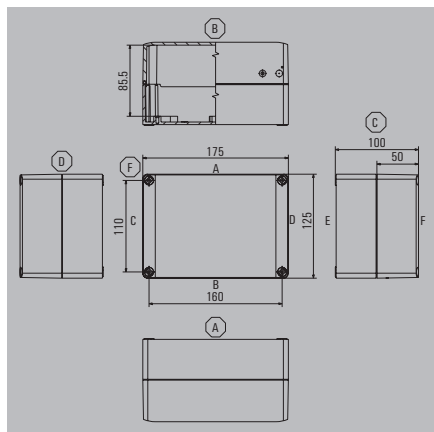
PEBZ M6 BR SET	1	1277250000
PEBZ M6 S4 SET	1	1283430000
PEBZ M10 BR SET	1	1277220000
PEBZ M10 S4 SET	1	1283440000

DAE M12 PA long	10	1868570000
DAE M12 SS	10	1868550000



MPC 12/17/10

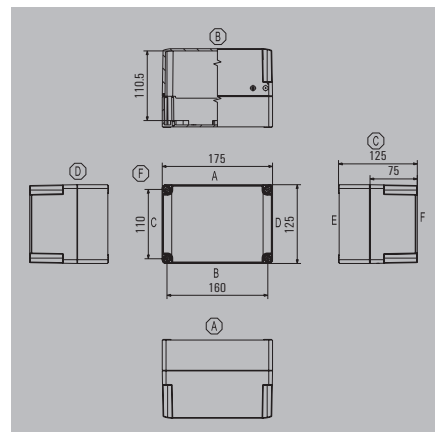
100 mm



125 / 175 / 100 mm

MPC 12/17/12

125 mm



125 / 175 / 125 mm

Height / Width / Depth

Technical data

Assembly with terminal

- 2.5 mm²
- 4 mm²
- 6 mm²
- 10 mm²
- 16 mm²
- 35 mm²

Number of cable entries

- M12
- M16
- M20
- M25
- M32
- M40
- M50
- M63
- M75

Note

	vertical	horizontal
	1x22	1x22
	1x19	1x19
	1x14	1x14
	1x11	1x11
	1x9	1x5
	1x7	1x4
A / B	C / D	
4	6	
3	4	
3	4	

It is possible to mount the WDU terminal blocks on a TS 35.

	vertical	horizontal
	1x13	1x22
	1x11	1x19
	1x8	1x8
	1x6	1x11
	1x5	1x5
	1x4	1x4
A / B	C / D	
4	6	
3	4	
3	4	

It is possible to mount the WDU terminal blocks on a TS 35.

Ordering data

Type	Qty.	Order No.
MPC 12/17/10 7035	1	9535310000
MPC 12/17/10 trsp	1	9535320000

Note

Type	Qty.	Order No.
MPC 12/17/12 7035	1	9535330000
MPC 12/17/12 trsp	1	9535340000

Accessories

Mounting plates and fastening screws

Type	Qty.	Order No.
MP MPC 12/17	1	9535560000
FKSC M4X6 D8/SW2	100	1567480000

External mounting lug, set of 4

Type	Qty.	Order No.
MF MPC	1	9535600000

Hinge, set of 2

Type	Qty.	Order No.
HG MPC	1	9535590000

Earthing stud

Type	Qty.	Order No.
PEBZ M6 BR SET	1	1277250000
PEBZ M6 S4 SET	1	1283430000
PEBZ M10 BR SET	1	1277220000
PEBZ M10 S4 SET	1	1283440000

Compensating element

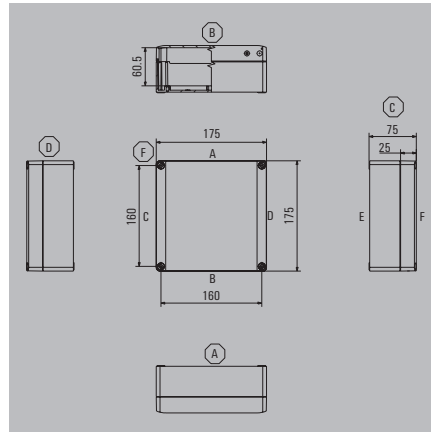
Type	Qty.	Order No.
DAE M12 PA long	10	1868570000
DAE M12 SS	10	1868550000

Note

Type	Qty.	Order No.
MP MPC 12/17	1	9535560000
FKSC M4X6 D8/SW2	100	1567480000
MF MPC	1	9535600000
HG MPC	1	9535590000
PEBZ M6 BR SET	1	1277250000
PEBZ M6 S4 SET	1	1283430000
PEBZ M10 BR SET	1	1277220000
PEBZ M10 S4 SET	1	1283440000
DAE M12 PA long	10	1868570000
DAE M12 SS	10	1868550000

MPC 17/17/07

75 mm



Height / Width / Depth

175 / 175 / 75 mm

Technical data

Assembly with terminal

- 2.5 mm²
- 4 mm²
- 6 mm²
- 10 mm²
- 16 mm²
- 35 mm²

Number of cable entries

- M12
- M16
- M20
- M25
- M32
- M40
- M50
- M63
- M75

Note

vertical	horizontal
1x22	1x22
1x19	1x19
1x14	1x14
1x11	1x11

A / B	C / D
6	6
4	4
4	

It is possible to mount the WDU terminal blocks on a TS 35.

Ordering data

- Enclosure with grey lid
- Enclosure with transparent lid

Note

Type	Qty.	Order No.
MPC 17/17/07 7035	1	9535370000
MPC 17/17/07 trsp	1	9535380000

Accessories

Mounting plates and fastening screws

- Steel sheet, zinc plated
- M4 screw

External mounting lug, set of 4

Hinge, set of 2

Earthing stud

- Brass, M6
- Stainless steel 1.4404, M6
- Brass, M10
- Stainless steel 1.4404, M10

Compensating element

- Polyamide 6, M12
- Stainless steel 1.4305, M12

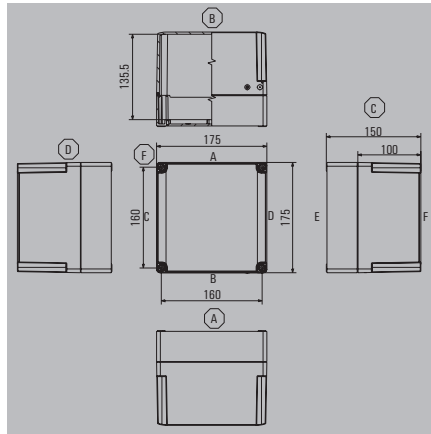
Note

Type	Qty.	Order No.
MP MPC 17/17	1	9535570000
FKSC M4X6 D8/SW2	100	1567480000
MF MPC	1	9535600000
HG MPC	1	9535590000
PEBZ M6 BR SET	1	1277250000
PEBZ M6 S4 SET	1	1283430000
PEBZ M10 BR SET	1	1277220000
PEBZ M10 S4 SET	1	1283440000
DAE M12 PA long	10	1868570000
DAE M12 SS	10	1868550000



MPC 17/17/15

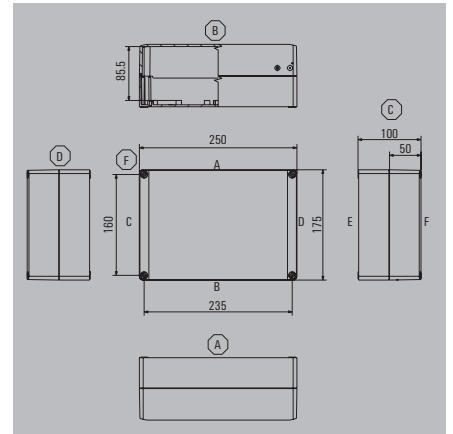
150 mm



175 / 175 / 150 mm

MPC 17/25/10

100 mm



175 / 250 / 100 mm

Height / Width / Depth

Technical data

Assembly with terminal

- 2.5 mm²
- 4 mm²
- 6 mm²
- 10 mm²
- 16 mm²
- 35 mm²

Number of cable entries

- M12
- M16
- M20
- M25
- M32
- M40
- M50
- M63
- M75

Note

	vertical	horizontal
	1x22	1x22
	1x19	1x19
	1x14	1x14
	1x11	1x11
	1x9	1x9
	1x7	1x7
A / B	C / D	
6	6	
4	4	
4		

It is possible to mount the WDU terminal blocks on a TS 35.

	vertical	horizontal
	1x37	1x37
	1x31	1x31
	1x23	1x23
	1x19	1x19
	1x15	1x9
	1x11	1x7
A / B	C / D	
6	9	
4	7	
4	6	

It is possible to mount the WDU terminal blocks on a TS 35.

Ordering data

- Enclosure with grey lid
- Enclosure with transparent lid

Note

Type	Qty.	Order No.
MPC 17/17/15 7035	1	9535430000
MPC 17/17/15 trsp	4	9535440000

Type	Qty.	Order No.
MPC 17/25/10 7035	1	9535470000
MPC 17/25/10 trsp	1	9535480000

Accessories

Mounting plates and fastening screws

- Steel sheet, zinc plated
- M4 screw

External mounting lug, set of 4

Hinge, set of 2

Earthing stud

- Brass, M6
- Stainless steel 1.4404, M6
- Brass, M10
- Stainless steel 1.4404, M10

Compensating element

- Polyamide 6, M12
- Stainless steel 1.4305, M12

Note

Type	Qty.	Order No.
MP MPC 17/17	1	9535570000
FKSC M4X6 D8/SW2	100	1567480000
MF MPC	1	9535600000
HG MPC	1	9535590000
PEBZ M6 BR SET	1	1277250000
PEBZ M6 S4 SET	1	1283430000
PEBZ M10 BR SET	1	1277220000
PEBZ M10 S4 SET	1	1283440000
DAE M12 PA long	10	1868570000
DAE M12 SS	10	1868550000

Type	Qty.	Order No.
MP MPC 17/25	1	9535580000
FKSC M4X6 D8/SW2	100	1567480000
MF MPC	1	9535600000
HG MPC	1	9535590000
PEBZ M6 BR SET	1	1277250000
PEBZ M6 S4 SET	1	1283430000
PEBZ M10 BR SET	1	1277220000
PEBZ M10 S4 SET	1	1283440000
DAE M12 PA long	10	1868570000
DAE M12 SS	10	1868550000

FPC – Medium-sized polycarbonate enclosures

The FPC enclosure range is the next generation of the MPC range. The enclosures have the same technical characteristics and are ideal for enclosing electrical, electro-mechanical and pneumatic devices and PCBs. The enclosures are used in situations where extreme mechanical and chemical conditions exist.

The characteristics of the enclosures are:

- Available in 6 sizes, with grey or transparent lids
- Lid fixing screws equipped with sealing holes
- Fixing holes outside the sealed area
- Thread for fitting to terminal rails, mounting plates and PCBs

Weidmüller can manufacture and supply this enclosure to match customer specifications and fitted with all necessary terminals and cable glands.



Overview of enclosures

Ordering data

Description	Dimensions in mm	Grey lid	Transparent lid
FPC 20/20/13	200 x 200 x 130	9535690000	9535680000
FPC 20/30/13	300 x 200 x 130	9535710000	9535700000
FPC 20/40/13	400 x 200 x 130	9535730000	9535720000
FPC 30/30/13	300 x 300 x 130	9535750000	9535740000
FPC 30/40/13	400 x 300 x 130	9535770000	9535760000
FPC 40/60/13	600 x 400 x 130	9535810000	9535820000

Note

Technical data

	Grey lid	Transparent lid
Enclosure material	Base and lid made of glass-fibre reinforced polycarbonate	Base made of glass-fibre reinforced polycarbonate, ABS lid
Cover	Grey	Transparent
Surface finish	Grey, similar to RAL 7035	Grey, similar to RAL 7035
IP protection class	IP 66, IP 67	IP 66, IP 67
Installation mounting	Self-tapping screws	Self-tapping screws
Enclosure mounting	4 holes (7.5 mm diameter) or external mounting brackets (optional)	4 holes (7.5 mm diameter) or external mounting brackets (optional)
Lid fixing	4 cross-head screws (polyamide)	4 cross-head screws (polyamide)
Gasket material	Polyurethane foam	Polyurethane foam
Temperature range	-50 °C...+100 °C	-40 °C...+60 °C
Impact resistance	IK 08	IK 06

Note

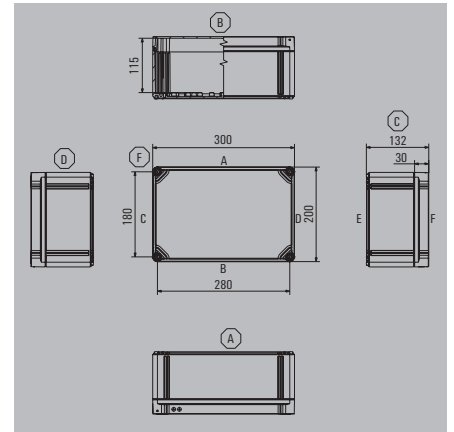
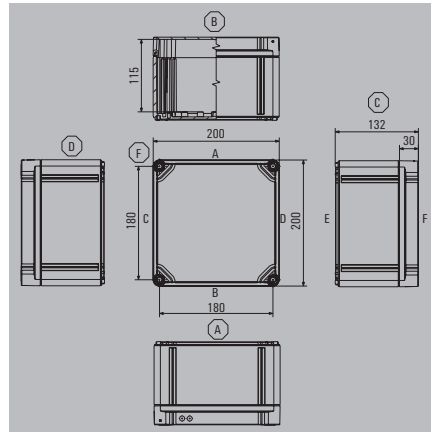
For details of power dissipation, please contact your Weidmüller representative.

FPC 20/20/13

132 mm

FPC 20/30/13

132 mm



Height / Width / Depth

200 / 200 / 132 mm

200 / 300 / 132 mm

Technical data

Assembly with terminal

2.5 mm²
4 mm²
6 mm²
10 mm²
16 mm²
35 mm²

Number of cable entries

M12
M16
M20
M25
M32
M40
M50
M63
M75

Note

	vertical	horizontal
	1x17	1x17
	1x14	1x14
	1x10	1x10
	1x8	1x8
	1x7	1x7
	1x5	1x5
	A / B	C / D
	20	20
	11	11
	6	6
	4	4
	2	2
	1	1
	1	1
	1	1

	vertical	horizontal
	2x20	1x40
	2x17	1x33
	2x13	2x13
	2x10	1x20
	2x8	1x17
	2x6	1x12
	A / B	C / D
	38	20
	21	11
	12	6
	8	4
	3	2
	3	1
	2	1
	2	1

Ordering data

Enclosure with grey lid
Enclosure with transparent lid

Note

Type	Qty.	Order No.
FPC 20/20/13 7035	1	9535690000
FPC 20/20/13 trsp	1	9535680000

Type	Qty.	Order No.
FPC 20/30/13 7035	1	9535710000
FPC 20/30/13 trsp	1	9535700000

Accessories

Mounting plates and fastening screws

Steel sheet, zinc plated
M4 screw

External mounting lug, set of 4

Hinge, set of 2

Earthing stud

Brass, M6
Stainless steel 1.4404, M6
Brass, M10
Stainless steel 1.4404, M10

Compensating element

Polyamide 6, M12
Stainless steel 1.4305, M12

Note

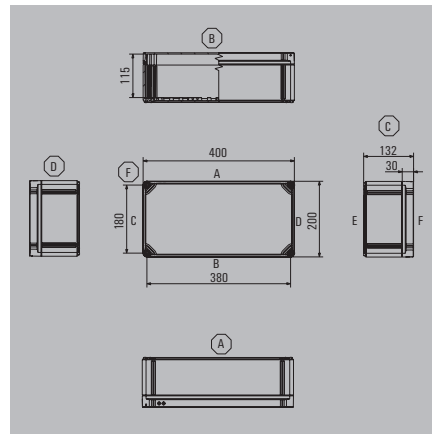
Type	Qty.	Order No.
MP FPC 20/20	1	9535920000
FKSC M4X6 D8/SW2	100	1567480000
MF FPC	1	9536040000
HG FPC	1	9535990000
PEBZ M6 BR SET	1	1277250000
PEBZ M6 S4 SET	1	1283430000
PEBZ M10 BR SET	1	1277220000
PEBZ M10 S4 SET	1	1283440000
DAE M12 PA long	10	1868570000
DAE M12 SS	10	1868550000

Type	Qty.	Order No.
MP FPC 20/30	1	9535930000
FKSC M4X6 D8/SW2	100	1567480000
MF FPC	1	9536040000
HG FPC	1	9535990000
PEBZ M6 BR SET	1	1277250000
PEBZ M6 S4 SET	1	1283430000
PEBZ M10 BR SET	1	1277220000
PEBZ M10 S4 SET	1	1283440000
DAE M12 PA long	10	1868570000
DAE M12 SS	10	1868550000



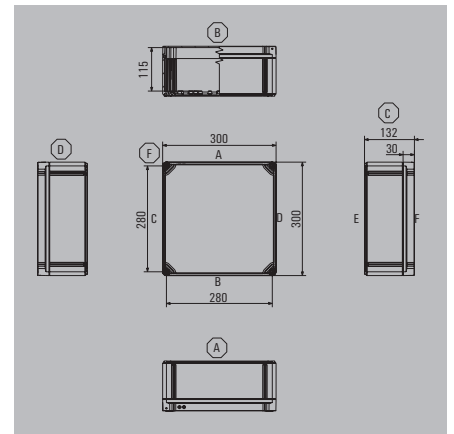
FPC 20/40/13

132 mm



FPC 30/30/13

132 mm



Height / Width / Depth

200 / 400 / 132 mm

300 / 300 / 132 mm

Technical data

Assembly with terminal

- 2.5 mm²
- 4 mm²
- 6 mm²
- 10 mm²
- 16 mm²
- 35 mm²

Number of cable entries

- M12
- M16
- M20
- M25
- M32
- M40
- M50
- M63
- M75

Note

	vertical	horizontal
	3x20	1x59
	3x17	1x49
	3x13	3x13
	3x10	1x30
	3x8	1x25
	3x6	1x19
	A / B	C / D
	56	20
	30	11
	18	6
	12	4
	5	2
	4	1
	4	1
	3	1

	vertical	horizontal
	2x40	1x40
	2x33	1x33
	2x25	2x25
	2x20	1x20
	2x17	1x17
	2x12	1x12
	A / B	C / D
	38	38
	21	21
	12	12
	8	8
	3	3
	3	3
	2	2
	2	2

Ordering data

- Enclosure with grey lid
- Enclosure with transparent lid

Note

Type	Qty.	Order No.
FPC 20/40/13 7035	1	9535730000
FPC 20/40/13 trsp	1	9535720000

Type	Qty.	Order No.
FPC 30/30/13 7035	1	9535750000
FPC 30/30/13 trsp	1	9535740000

Accessories

Mounting plates and fastening screws

- Steel sheet, zinc plated
- M4 screw

External mounting lug, set of 4

Hinge, set of 2

Earthing stud

- Brass, M6
- Stainless steel 1.4404, M6
- Brass, M10
- Stainless steel 1.4404, M10

Compensating element

- Polyamide 6, M12
- Stainless steel 1.4305, M12

Note

Type	Qty.	Order No.
MP FPC 20/40	100	9535940000
FKSC M4X6 D8/SW2	100	1567480000
MF FPC	1	9536040000
HG FPC	1	9535990000
PEBZ M6 BR SET	1	1277250000
PEBZ M6 S4 SET	1	1283430000
PEBZ M10 BR SET	1	1277220000
PEBZ M10 S4 SET	1	1283440000
DAE M12 PA long	10	1868570000
DAE M12 SS	10	1868550000

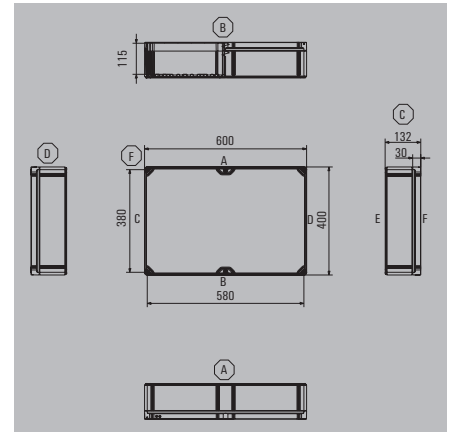
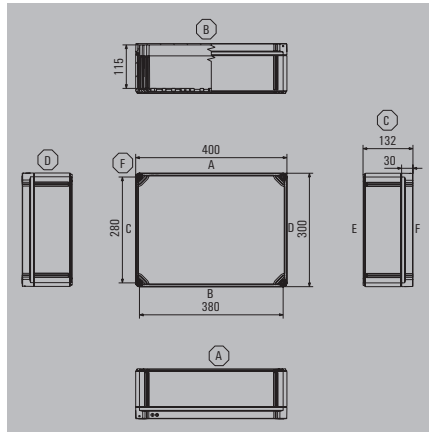
Type	Qty.	Order No.
MP FPC 30/30	1	9535950000
FKSC M4X6 D8/SW2	100	1567480000
MF FPC	1	9536040000
HG FPC	1	9535990000
PEBZ M6 BR SET	1	1277250000
PEBZ M6 S4 SET	1	1283430000
PEBZ M10 BR SET	1	1277220000
PEBZ M10 S4 SET	1	1283440000
DAE M12 PA long	10	1868570000
DAE M12 SS	10	1868550000

FPC 30/40/13

132 mm

FPC 40/60/13

132 mm



Height / Width / Depth

300 / 400 / 132 mm

400 / 600 / 132 mm

Technical data

Assembly with terminal

2.5 mm²
4 mm²
6 mm²
10 mm²
16 mm²
35 mm²

Number of cable entries

M12
M16
M20
M25
M32
M40
M50
M63
M75

Note

	vertical	horizontal
	3x40	1x59
	3x33	1x49
	3x25	3x25
	3x20	1x30
	3x17	1x25
	3x12	1x19
	A / B	C / D
	56	38
	30	21
	18	12
	12	8
	5	3
	4	3
	4	2
	3	2

	vertical	horizontal
	5x59	2x97
	5x49	2x81
	5x37	5x37
	5x30	2x49
	5x25	2x41
	5x19	2x31
	A / B	C / D
	76	56
	42	30
	24	18
	16	12
	6	5
	6	4
	4	4
	4	3

Ordering data

Enclosure with grey lid
Enclosure with transparent lid

Note

Type	Qty.	Order No.
FPC 30/40/13 7035	1	9535770000
FPC 30/40/13 trsp	1	9535760000

Type	Qty.	Order No.
FPC 40/60/13 7035	1	9535810000
FPC 40/60/13 trsp	1	9535820000

Accessories

Mounting plates and fastening screws

Steel sheet, zinc plated
M4 screw

External mounting lug, set of 4

Hinge, set of 2

Earthing stud

Brass, M6
Stainless steel 1.4404, M6
Brass, M10
Stainless steel 1.4404, M10

Compensating element

Polyamide 6, M12
Stainless steel 1.4305, M12

Note

Type	Qty.	Order No.
MP FPC 30/40	1	9535960000
FKSC M4X6 D8/SW2	100	1567480000
MF FPC	1	9536040000
HG FPC	1	9535990000
PEBZ M6 BR SET	1	1277250000
PEBZ M6 S4 SET	1	1283430000
PEBZ M10 BR SET	1	1277220000
PEBZ M10 S4 SET	1	1283440000
DAE M12 PA long	10	1868570000
DAE M12 SS	10	1868550000

Type	Qty.	Order No.
MP FPC 40/60	1	9535980000
FKSC M4X6 D8/SW2	100	1567480000
MF FPC	1	9536040000
HG FPC	1	9535990000
PEBZ M6 BR SET	1	1277250000
PEBZ M6 S4 SET	1	1283430000
PEBZ M10 BR SET	1	1277220000
PEBZ M10 S4 SET	1	1283440000
DAE M12 PA long	10	1868570000
DAE M12 SS	10	1868550000

Cable entries

Cable entries	Introduction	D.2
	Standard cable glands - Plastic	D.6
	Standard cable glands - Brass	D.9
	EMC cable glands	D.13
	Standard cable glands - Stainless steel	D.16
	Standard cable glands	D.18
	Klippon® Cable Glands	D.19
	Cable glands for Ex applications - Brass	D.30
	Cable glands for Ex applications - Plastic	D.48
	Accessories - Lock nuts	D.52
	Accessories - Flat IP washer	D.57
	Accessories - Earthing rings	D.61
	Accessories - Shrouds	D.63
	Accessories - Washers	D.65
	Blanking plugs	D.66
	Ex - Blanking plugs	D.68
	Adaptors	D.73
	Compensating elements	D.75
	Ex - Compensating elements	D.77

Cable entries

Weidmüller offers a variety of add-on components for a multitude of purposes and applications in addition to its extensive Klippon® Protect range.

In addition to brass, plastic and stainless steel cable glands, there are also sealing plugs, pressure-equalising elements, adapters and relevant accessories – such as lock nuts, flat gaskets, flat washers and earthing rings – available.

To match the assembled enclosures, the cable glands meet the requirements of IP protection classes IP54 to IP69K and can be used as required in standard industrial applications, EMC applications or even explosive risk zones, plus they comply with the approvals required for this purpose.

The Ex-certified Klippon® cable glands also enable the connection of braided and shielded reinforcements with and without lead sheathing as well as the connection of steel wire and steel tape cables and conductors. They can withstand temperatures ranging from -60°C to $+180^{\circ}\text{C}$.

Depending on the cable gland variants and application, the cable glands, sealing plugs, adaptors, pressure-equalising elements and accessories are manufactured and certified according to the following standards:

- IEC/EN 62444 (Construction and design)
- IEC/EN 60529 (IP protection class testing)
- IEC/EN 60079-0 (General ATEX standard)
- IEC/EN 60079-1 (Ex d ATEX standard)
- IEC/EN 60079-7 (Ex e ATEX standard)
- IEC/EN 60079-11 (Ex i ATEX standard)
- IEC/EN 60423 (Metric thread)
- DIN 40430 (PG and NPT threads)

The range of cable glands, sealing plugs and pressure-equalising elements is available in metric (M) and high-strength (PG) threads in sizes ranging from M12 to M75 and PG7 to PG48. When choosing cable glands and sealing plugs, please refer to the table with the sealing characteristics of the O-rings, flat gaskets and seal inserts. The O-Ring or flat gasket is always intended for sealing the connecting thread on an enclosure, for example, while the seal insert of each cable gland is intended for actually sealing and crushing the connecting cable.



You should always observe the maximum drill-hole diameter when installing a cable gland, sealing plug, adaptor or pressure compensation element (e.g. onto the gland plate of an enclosure). These must not exceed the following specified maximum values / tolerances so that the protection degree of the whole enclosure can be guaranteed.

Through-hole information

M thread	Through-hole, in mm
M 12	12.2
M 16	16.2
M 20	20.2
M 25	25.2
M 32	32.2
M 40	40.2
M 50	50.2
M 63	63.2
M 75	75.2
PG thread	Through-hole, in mm
PG 7	12.4
PG 9	15.1
PG 11	18.5
PG 13.5	20.4
PG 16	22.5
PG 21	28.3
PG 29	37.4
PG 36	47.2
PG 42	54.2
PG 48	59.5

Overview of sealing materials for O-rings, flat gaskets as well as seal inserts

Abbreviation	Material	Trade name	Temperature range	Chemical resistance	Fire resistant	Shore	Free from halogens	UV resistance
TPE	Thermo-plastic elastomer	Santoprene	-40 °C to +130 °C	Hydrocarbons, oils, acids	UL94, HB	64	Yes	very good
CR	Chloroprene rubber	Neoprene	-40 °C to +130 °C	Mineral oils, greases, fuels	very good	40 - 90	No	very good
NBR	Nitrile rubber	Perbunan, Nitrile	-40 °C to +130 °C	Hydrocarbons, oils, acids, aliphatic solvents, greases, fuels	weak	40 - 90	No	good
EPDM	Ethylene-propylene-diene rubber	Keltan	-50 °C to +130 °C	Weather-, grease-, mineral oil-, chlorine- and ozone resistant, hydrocarbons	weak	20 - 90		very good
FPM	Fluoro-rubber	Viton	-25 °C to +200 °C	ozone, oxygen, mineral oils, synthetic hydraulic fluids, fuels, aromatics, many organic solvents and chemicals	weak	65 - 95		good

Abbreviations - technical data

A, L	Length in mm
L1	Length of thread in mm
D	Diameter in mm
S	Thickness in mm
S1,S2	Depth in mm
SW	Distance across flats in mm
KB	Clamping range in mm
KB ZE	Clamping range strain relief in mm
Thread	External thread
SUHB	Shroud
DR	Tightening torque in Nm
Qty.	Packing unit in pieces












Product designation

VG	Cable gland
VP	Sealing plugs
KDSU	Klippon® Double Seal Universal
KDSW	Klippon® Double Seal for SWA
KDSX	Klippon® Double Seal for SWB/STA
KSG	Klippon® Standard Gland
KUB	Klippon® Universal Barrier
KSPA	Klippon® Stopping Plug Type A
KSPMH	Klippon® Stopping Plug Mushroom
KSWN	Klippon® Sealing Washer Nylon
KSWF	Klippon® Sealing Washer Red Fibre
KSP	Klippon® Shroud PVC/Silicone
SKMU	Hexagon nut
DAE	Pressure compensation element
BD	Breather drain (compensation element)
SZS	Serrated Star Washers
ZE	Strain relief
EMV	Electromagnetic compatibility
EA	Earthing ring
SKS	Spiral kink protection
GWDR	Threaded sealing ring or IP washer




Glands and accessories

The tables below provide an overview of the Weidmüller cable glands and the recommended accessories.








Standard-Verschraubungen

Material/Type	Approvals				Thread sealing rings			Locknuts				
	IP class of protection without seal	IP class of protection with seal	Ex	EMC	Armouring	CSM GWDR PO	CR GWDR...NP	O-Ring	grey SKMU...K GR	black SKMU...K SW	brass SKMU...MS	MS EMC SKMU EMV...
Plastic												
 VG ... K67	IP67								•			
 VG ... K68	IP68 / 5 bar								•			
 VG ... K68 SKS	IP68 / 5 bar								•			
Nickel-plated brass												
 VG ... MS68	IP66, IP68 / 5 bar, IP69k							included			•	
 VGM...MS68...BG	IP68							included			•	
 VG ... MS54-ZE	IP54										•	
 VG ... 1/EMV	IP66, IP68 / 5 bar, IP69k			•				included				•
 VG ... EMV-4	IP66, IP68 / 5 bar, IP69k			•				included				•
 VGM...EMC...SET	IP68			•				included				•
Stainless steel												
 VG...SS68	IP66, IP68 / 5 bar, IP69k							included			•	
 VGM...SS68...BG	IP68							included			•	






Cable glands HQ

Material/Type	Approvals				Thread sealing rings			Locknuts				
	IP class of protection without seal	IP class of protection with seal	Ex	EMC	Armouring	CSM GWDR PO	CR GWDR...NP	O-Ring	grey SKMU...K GR	black SKMU...K SW	brass SKMU...MS	MS EMC SKMU EMV...
Nickel-plated brass, Ex												
 VG ... K68 ...	IP65											
Brass Ex												
 VG ... MS68 ...	IP65											
 VG ... EMV68 ...	IP65			•								






Cable glands Ex

Material/Type	Approvals				Thread sealing rings			Locknuts				
	IP class of protection without seal	IP class of protection with seal	Ex	EMC	Armouring	KSWN	CR GWDR...NP	O-Ring	grey SKMU...K GR	black SKMU...K SW	brass SKMU...MS	MS EMC SKMU EMV...
Nickel-plated brass, Ex												
 KDSU...BN/BS O NI	IP68 / 2.5 bar		Exe/d		•			included			•	
 KUB...BS O NI	IP66, IP68 / 10 bar		Exe/d		•			included			•	
 KDSW...BN/BS O/L NI	IP54, IP66, IP68 / 2.5 bar		Exe/d		•	optional					•	
 KDSX...BS O NI	IP54, IP66, IP68 / 2.5 bar		Exe/d		•	optional					•	
 KSG...BN/BS O NI	IP66, IP68 / 2.5 bar		Exe/d					included			•	
Brass Ex												
 KDSU...BN/BS O SC	IP68 / 2.5 bar		Exe/d		•			included			•	
 KUB...BS O SC	IP66, IP68 / 10 bar		Exe/d		•			included			•	
Note:	Ex - Stainless steel glands on request											








Cable glands Ex

Material/Type	Approvals			Thread sealing rings			Locknuts					
	IP class of protection without seal	IP class of protection with seal	Ex	EMC	Armouring	KSWN	CR GWDR...NP	O-Ring	grey SKMU...K GR	black SKMU...K SW	brass SKMU...MS	MS EMC SKMU EMV...
Nickel-plated brass, Ex												
 KDSW...BN/BS O/L SC	IP54	IP54, IP66, IP68 / 2.5 bar	Exe/d		•	optional					•	
 KDSX...BS O SC	IP54	IP54, IP66, IP68 / 2.5 bar	Exe/d		•	optional					•	
 KSG...BN/BS O SC		IP66, IP68 / 2.5 bar	Exe/d					included			•	
Plastic Ex												
 VG...EXL...7J		IP54, IP66, IP68 / 5 bar	Exe					included		•		
 VG...EXE...7J		IP54, IP66, IP68 / 5 bar	Exi					included		•		
Note: Ex - Stainless steel glands on request												

Adaptor

Material/Type	Approvals			Thread sealing rings			Locknuts			
	IP class of protection with seal		Ex	GWDR PO	CR GWDR...NP	O-Ring	grey SKMU...K GR	black SKMU...K SW	brass SKMU...MS	MS EMC SKMU EMV...
Plastic										
 DAE M12 PA	IP66, IP68, IP69K					included				
 DAE M12 PA long	IP66, IP68, IP69K					included		•		
Stainless steel										
 DAE M12 SS	IP66, IP68, IP69K					included			•	•
Brass Ex										
 KLIPPON BDX ... B	IP66		•			included				
Stainless steel Ex										
 KLIPPON BDX ... S	IP66		•			included				

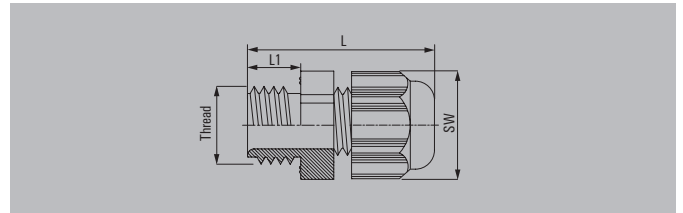
Stopping plugs

Material/Type	Approvals			Thread sealing rings			Locknuts			
	IP class of protection without seal	IP class of protection with seal	Ex	GWDR PO	CR GWDR...NR	O-Ring	grey SKMU...K GR	black SKMU...K SW	brass SKMU...MS	MS EMC SKMU EMV...
Plastic										
 VP ... K54	IP54	IP65					•			
Nickel-plated brass										
 VP ... MS65		IP68				included			•	
Stainless steel										
 KSPMH...SSC		IP66, IP68	Exe/d			included			•	
Plastic Ex										
 VP...Ex SW	IP66	IP66, IP68	Exe		optional			•		
Nickel-plated brass, Ex										
 VP...Ex MS		IP68	Exe/d			included			•	
 KSPA...BNI	IP54		Ex d						•	
Brass Ex										
 KSPMH...BSC		IP66, IP68	Exe/d			included			•	

Cable glands - Plastic - IP67



Inexpensive cable gland for industrial applications, without approvals.



Technical data

Material / Colour	Polyamide 6 / Light Grey / RAL 7035
Seal insert	NBR
Temperature range	-20 °C...100 °C
Protection class	IP67
Flammability rating	V-2
Note	Version with moulded sealing lip Length L varies depending on the cable diameter used

Ordering data

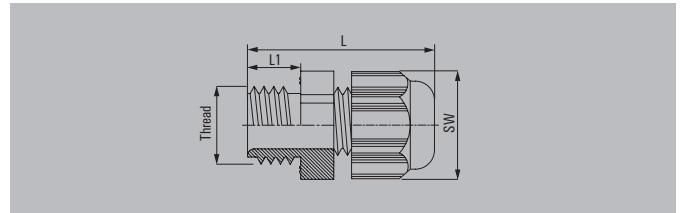
Type	Thread	KB	L/L1	SW	DR	Qty.	Order No.
metric							
VG M12-K67	M 12	3.00-6.50	30.5 / 8	15	2	100	1909660000
VG M16-K67 4-8	M 16	4.00-8.00	34.5 / 8	19	2.5	50	1909670000
VG M16-K67 5-10	M 16	5.00-10.00	40 / 10	22	2.5	50	1909680000
VG M20-K67 6-12	M 20	6.00-12.00	39.5 / 10	24	3.5	50	1909690000
VG M20-K67 10-14	M 20	10.00-14.00	41 / 10	27	3.5	50	1909700000
VG M25-K67	M 25	13.00-18.00	47 / 10	33	3.5	25	1909710000
VG M32-K67	M 32	18.00-25.00	56 / 15	42	5	20	1909720000
VG M40-K67	M 40	22.00-32.00	69.5 / 18	53	5	10	1909730000
VG M50-K67	M 50	30.00-38.00	71 / 18	60	8	10	1909740000
VG M63-K67	M 63	34.00-44.00	71 / 18	65	12	10	1909750000
PG							
VG PG7-K67	PG 7	3.00-6.50	30 / 8	15	1.5	100	1909760000
VG PG9-K67	PG 9	4.00-8.00	34.5 / 8	19	1.5	50	1909770000
VG PG11-K67	PG 11	5.00-10.00	37 / 8	22	2	50	1909780000
VG PG13.5-K67	PG 13.5	6.00-12.00	39 / 10	24	3	50	1909790000
VG PG16-K67	PG 16	10.00-14.00	41 / 10	27	3.5	50	1909800000
VG PG21-K67	PG 21	13.00-18.00	48 / 11	33	8	25	1909810000
VG PG29-K67	PG 29	18.00-25.00	52 / 11	42	9	20	1909820000
VG PG36-K67	PG 36	22.00-32.00	64.5 / 13	53	11	10	1909830000
VG PG42-K67	PG 42	30.00-38.00	66.5 / 13	60	14	10	1909840000
VG PG48-K67	PG 48	34.00-44.00	67.5 / 14	65	14	10	1909850000

Note	Integrated strain relief, halogen-free without sealing ring.
-------------	--

Cable glands - Plastic - IP68



Plastic cable gland with integrated strain relief for industrial applications requiring IP68 protection.



Technical data

Material / Colour	Polyamide 6 / Light Grey / RAL 7035
Seal insert	CR
Temperature range	-30 °C...100 °C
Protection class	IP67, IP68 - 5 bar (30 min.)
Flammability rating	V-2
Note	Version with moulded sealing lip Length L varies depending on the cable diameter used

Ordering data

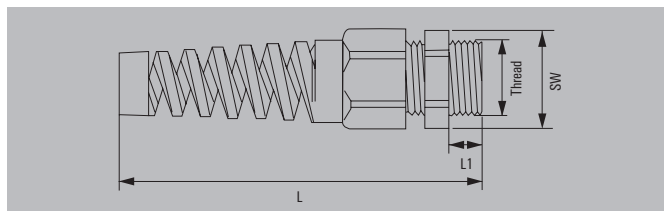
Type metric	Thread	KB	L/L1	SW	DR	Qty.	Order No.
VG M12-1/K68	M 12	3.00-6.50	30.5 / 8	15	2	100	1772280000
VG M16-1/K68	M 16	4.00-8.00	34.5 / 8	19	2.5	50	1909860000
VG M16 - K 68	M 16	5.00-10.00	40 / 10	22	2.5	50	1772290000
VG M20-1/K68	M 20	6.00-12.00	39.5 / 10	24	3.5	50	1772300000
VG M25-1/K68	M 25	11.00-17.00	43 / 8	29	3.5	50	1909870000
VG M25 - K 68	M 25	13.00-18.00	47 / 10	33	3.5	25	1772310000
VG M32-1/K68	M 32	15.00-21.00	52 / 10	36	5	20	1909880000
VG M32 - K 68	M 32	18.00-25.00	56 / 15	42	5	20	1772320000
VG M40-1/K68	M 40	19.00-28.00	57 / 10	46	5	10	1909890000
VG M40 - K 68	M 40	22.00-32.00	69.5 / 18	53	5	10	1772330000
VG M50 - K 68	M 50	30.00-38.00	71 / 18	60	8	10	1772340000
VG M63-1/K68	M 63	34.00-44.00	71 / 18	65	12	10	1772350000
PG							
VG 7-K68	PG 7	3.00-6.50	30 / 8	15	1.5	100	1568970000
VG 9-K68	PG 9	4.00-8.00	34.5 / 8	19	1.5	50	1568980000
VG 11-K68	PG 11	5.00-10.00	37 / 8	22	2	50	1568990000
VG 13.5-K68	PG 13.5	6.00-12.00	39 / 10	24	3	50	1569000000
VG 16-K68	PG 16	10.00-14.00	41 / 10	27	3.5	50	1569010000
VG 21-K68	PG 21	13.00-18.00	48 / 11	33	8	25	1569020000
VG 29-K68	PG 29	18.00-25.00	52 / 11	42	9	20	1569030000
VG 36-K68	PG 36	22.00-32.00	64.5 / 13	53	11	10	1569040000
VG 42-K68	PG 42	30.00-38.00	66.5 / 13	60	14	10	1569050000
VG 48-K68	PG 48	34.00-44.00	67.5 / 14	65	14	10	1718770000

Note Long-thread version on request, halogen-free without sealing ring

Cable glands - Plastic - SKS



Plastic cable gland with spiral bending protection specially suited for flexible connections.



D Technical data

Material / Colour	Polyamide 6 / Light Grey / RAL 7035
Seal insert	CR
Temperature range	-20 °C...100 °C
Protection class	IP68 - 5 bar (30 min.)
Flammability rating	V-2
Note	Version with moulded sealing lip Length L varies depending on the cable diameter used

Ordering data

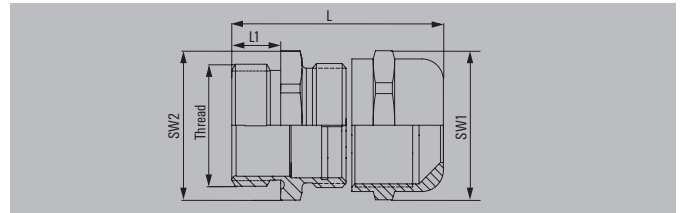
Type	Thread	KB	L/L1	SW	DR	Qty.	Order No.
metric							
VG M12-K68 SKS	M 12	3.00-6.50	63.5 / 8	15	2	100	1776700000
VG M16-K68 SKS	M 16	5.00-10.00	94.5 / 15	22	2.5	50	1776710000
VG M20-K68 SKS 6-12	M 20	6.00-12.00	101.5 / 11	24	3.5	50	1778860000
VG M20-K68 SKS 10-14	M 20	10.00-14.00	116 / 15	27	3.5	25	1776720000
VG M25-K68 SKS	M 25	13.00-18.00	132.5 / 15	33	3.5	25	1776730000
PG							
VG 7-K68 SKS	PG 7	3.00-6.50	63 / 8	15	1.5	50	1720470000
VG 9-K68 SKS	PG 9	4.00-8.00	74 / 8	19	1.5	50	1720480000
VG 11-K68 SKS	PG 11	5.00-10.00	87 / 8	22	2	100	1720490000
VG 13.5-K68 SKS	PG 13.5	6.00-12.00	98 / 9	24	3	50	1720500000
VG 16-K68 SKS	PG 16	10.00-14.00	112 / 10	27	3.5	25	1720510000
VG 21-K68 SKS	PG 21	13.00-18.00	130 / 11	33	8	20	1720520000

Note VDE for metric variants, halogen free, without sealing ring

Cable glands - Brass - IP68



Standard brass cable gland for industrial applications that require IP68 or IP69K protection.



Technical data

Material	Brass, nickel-plated
O-ring / Seal insert	NBR / CR
Temperature range	-40 °C...100 °C
Clamp insert	Polyamide
Protection degree with GWDR	IP54, IP66, IP67, IP68 - 5 bar (30 min.), IP69K
Note	Length „L“ varies depending on the cable diameter used; IP69K applies to all metric cable glands; the following thread sizes PG29, PG36, PG42 and PG48 are excluded from IP69K.

Ordering data

Type	Thread	KB	L/L1	SW1/SW2	DR	Qty.	Order No.
metric							
VG M12 - MS 68	M 12	3.00-6.50	28 / 6	14 / 14	3	50	1772200000
VG M16 - MS 68	M 16	4.00-8.00	30 / 7	17 / 18	4	50	1772210000
VG M16-1/MS68	M 16	5.00-10.00	35.5 / 7	20 / 20	7	50	1909910000
VG M20 - MS 68	M 20	6.00-12.00	34.5 / 8	22 / 22	5.5	50	1772220000
VG M25 - MS 68	M 25	10.00-14.00	35.7 / 8	24 / 27	6	25	1772230000
VG M25-1/MS68	M 25	11.00-17.00	40.5 / 8	27 / 27	8	25	1909920000
VG M32 - MS 68	M 32	13.00-18.00	42 / 9	30 / 34	6	10	1772240000
VG M32-1/MS68	M 32	15.00-21.00	44 / 8	34 / 34	8	10	1909930000
VG M40 - MS 68	M 40	18.00-25.00	47 / 9	40 / 43	12	10	1772250000
VG M40-1/MS68	M 40	19.00-28.00	52.5 / 9	43 / 43	12	10	1909940000
VG M50 - MS 68	M 50	22.00-32.00	57 / 9	50 / 55	18	5	1772260000
VG M50-1/MS68	M 50	27.00-38.00	61 / 9	58 / 58	18	5	1909950000
VG M63 - MS 68	M 63	34.00-44.00	67 / 14	64 / 68	25	5	1772270000
PG (IP69K)							
VG 7-MS68	PG 7	3.00-6.50	28 / 6	14 / 14	3	50	1569060000
VG 9-MS68	PG 9	4.00-8.00	29.5 / 6	17 / 17	4	50	1569070000
VG 11-MS68	PG 11	5.00-10.00	32 / 6	20 / 20	5	50	1569080000
VG 13.5-MS68	PG 13.5	6.00-12.00	31 / 6.5	22 / 22	5.5	50	1569090000
VG 16-MS68	PG 16	10.00-14.00	34.5 / 6.5	24 / 24	7	25	1569100000
VG 21-MS68	PG 21	13.00-18.00	39.7 / 7.2	30 / 30	10	25	1569110000
PG (IP68)							
VG 29-MS68	PG 29	18.00-25.00	46.5 / 8	40 / 40	15	10	1569120000
VG 36-MS68	PG 36	22.00-32.00	57 / 9	50 / 50	20	5	1569130000
VG 42-MS68	PG 42	30.00-38.00	60.5 / 12	58 / 58	27	5	1569140000
VG 48-MS68	PG 48	34.00-44.00	69 / 14	64 / 64	35	5	1718790000

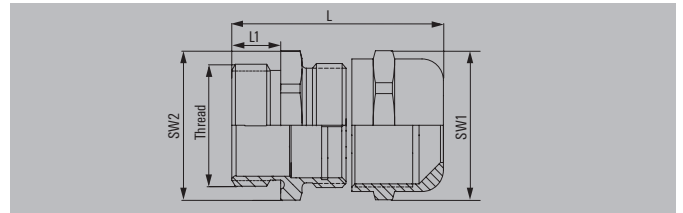
Note Long-thread version on request
VDE for metric version

Standard cable glands - Brass

Cable glands - brass - IP68



Cable gland with spherical seal insert that squeezes the cable gently over a large area. This permanently avoids the incisive notch effect that is common with lamella systems.



D

Technical data

Material	Brass, nickel-plated
O-Ring / Seal insert	NBR / TPE
Temperature range	-40 °C ... 130 °C
Protection class	IP68

Note**Ordering data**

Type	Thread	KB	L/L1	SW	DR	Qty.	Order No.
VGM25-MS68 11-20 BG	M 25	11-20	36.5 / 7.5	30	15	50	1193600000
VGM32-MS68 15-25 BG	M 32	15-25	40 / 8	36	15	25	1193610000
VGM40-MS68 20-32 BG	M 40	20-32	43 / 8	45	20	10	1193620000
VGM40/1-MS68 20-32 BG	M 40	20-32	82 / 8	45	20	10	1205890000

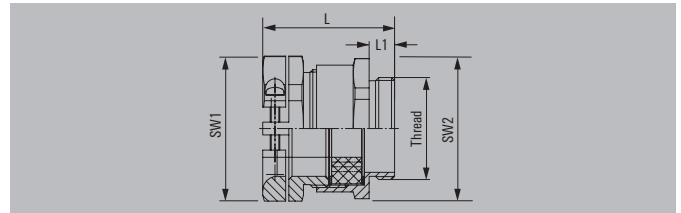
Note

When using mounting covers with 3 X M 40 cable input threads, the elongated version must be used for the cable gland in the middle.

Cable glands - Brass - ZE



Brass cable gland with external, centrally positioned strain relief through clamping jaws.
The seal insert used contains several removable or separable inlets.



Technical data

Material	Brass, nickel-plated
Seal insert	NBR
Temperature range	-20 °C...80 °C
Protection class	IP54
Note	Optional sealing ring Length „L“ varies depending on the cable diameter used.

Ordering data

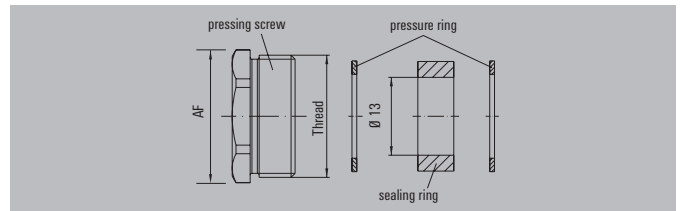
Type	Thread	KB	KB ZE	L/L1	SW1/SW2	TRQ CN min. / max.	TRQ BO min. / max.	Qty.	Order No.
metric									
VGM12-MS54 ZE 5,0-7,0	M 12	5.00-7.00	5.8-8	27 / 5	16 / 14	5.33 / 5.33	8.00 / 8.00	50	1778420000
VGM16-MS54 ZE	M 16	4.00-10.00	6.5-10	28 / 5	19 / 18	6.67 / 6.67	10.00 / 10.00	50	1778440000
VGM20-MS54 ZE	M 20	6.50-12.50	7.5-12	32 / 6	22 / 22	8.00 / 8.00	12.00 / 12.00	50	1778450000
VGM20-MS54 ZE 6,0-13,5	M 20	6.50-12.50	8.5-14	34 / 6	24 / 22	8.00 / 8.00	12.00 / 12.00	50	1778460000
VGM25-MS54 ZE	M 25	9.00-19.00	12-21	38 / 7	34 / 30	8.00 / 8.00	12.00 / 12.00	25	1778480000
VGM32-MS54 ZE	M 32	17.00-27.00	19-30	42 / 8	42 / 40	12.00 / 12.00	18.00 / 18.00	25	1778490000
VGM40-MS54 ZE	M 40	23.00-33.00	25-37	49 / 8	52 / 50	12.00 / 12.00	18.00 / 18.00	10	1778500000
VGM50-MS54 ZE	M 50	29.00-39.00	31-43	52 / 9	62 / 57	13.33 / 13.33	20.00 / 20.00	5	1778520000
VGM63-MS54 ZE	M 63	35.00-45.00	35-48	54 / 10	68 / 66	13.33 / 13.33	20.00 / 20.00	5	1778530000
PG									
VG 7-MS54-ZE	PG 7	5.00-7.00	5.8-8	27 / 5	16 / 14	4.20 / 4.20	6.25 / 6.25	50	1718800000
VG 9-MS54-ZE	PG 9	4.00-10.00	6.5-10	30.5 / 6	19 / 17	4.20 / 4.20	6.25 / 6.25	50	1718810000
VG 11-MS54-ZE	PG 11	6.50-12.50	7.5-12	31.5 / 6	22 / 20	4.20 / 4.20	6.25 / 6.25	50	1718820000
VG 13,5-MS54-ZE	PG 13.5	6.50-12.50	8.5-14	32 / 6.5	24 / 22	4.20 / 4.20	6.25 / 6.25	50	1718830000
VG 16-MS54-ZE	PG 16	6.50-15.00	9.5-17	33 / 6.5	27 / 24	5.00 / 5.00	7.50 / 7.50	50	1718840000
VG 21-MS54-ZE	PG 21	9.00-19.00	12-21	38 / 7	34 / 30	6.70 / 6.70	10.00 / 10.00	50	1718850000
VG 29-MS54-ZE	PG 29	17.00-27.00	19-30	43 / 8	42 / 40	6.70 / 6.70	10.00 / 10.00	25	1718860000
VG 36-MS54-ZE	PG 36	23.00-33.00	25-37	49.5 / 9	50 / 50	6.70 / 6.70	10.00 / 10.00	10	1718870000
VG 42-MS54-ZE	PG 42	29.00-39.00	31-43	53.5 / 10	57 / 57	6.70 / 6.70	10.00 / 10.00	5	1718880000
VG 48-MS54-ZE	PG 48	35.00-45.00	35-48	55 / 10	68 / 64	6.70 / 6.70	10.00 / 10.00	5	1718890000
Note	Further versions on request								

Standard cable glands - Brass

Clamping screws - Brass - IP65



The special cable glands (clamping screws) are designed for use in HDC RockStar® base enclosures. The seal insert used contains several removable or separable inlets.



Technical data

Clamping screw material	Brass, nickel-plated
Sealing ring material	SBR/NBR
Pressure ring material	Polyamide
Temperature range	-20 °C...60 °C
Protection class	IP65
Note	

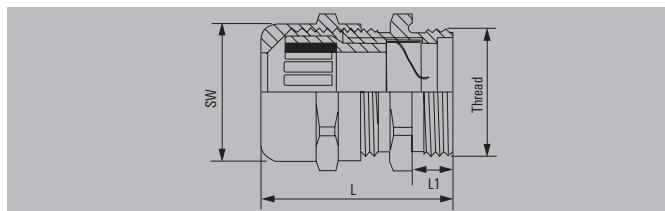
Ordering data

Type	Thread	Inserts in mm	SW	Qty.	Order No.
metric					
VG H M20 MS	M 20	4 / 7 / 10 / 13	20	50	1921720000
VG H M25 MS	M 25	8.5 / 11.5 / 14.5 / 18	25	25	1921740000
VG H M32 MS	M 32	16 / 19 / 22 / 25	32	20	1921760000
VG H M40 MS	M 40	23 / 26 / 29 / 32	40	10	1921770000
PG					
KV 11-M	PG 11	7.5 / 10 / 12.5	10	10	1656390000
KV 13-M	PG 13	7.5 / 10 / 12.5	10	10	1656400000
KV 16-M	PG 16	7.5 / 10 / 12.5 / 15	10	10	1656410000
KV 21-M	PG 21	10 / 13 / 16 / 19	10	10	1656420000
KV 29-M	PG 29	18 / 21 / 24 / 27	10	10	1656430000
Note					

Cable glands - Brass - 1/EMC



Brass cable gland for shielding against interference frequencies with a shielding effectiveness of up to 90 dB. A conical metal cage ensures multiple contacts with the cable shielding. For installation, the cable gland does not have to be broken down into its individual parts - thus allowing a particularly simple installation.



Technical data

Material	Brass, nickel-plated
O-Ring / Seal insert	NBR / CR
Temperature range	-40 °C...100 °C
Protection class	IP68 - 5 bar (30 min.), IP69K
Clamp insert	Polyamide
Note	Length „L“ varies according to cable diameter used

Ordering data

Type	Thread	KB	Shield Ø	L/L1	SW	DR	Qty.	Order No.
VG M12 - MS 1/EMV	M 12	3.00-6.50	2.50-6.50	28 / 6	14	5	50	1909490000
VG M16 - MS 1/EMV	M 16	5.00-10.00	4.00-10.00	36 / 7	20	7	50	1909500000
VG M20 - MS 1/EMV	M 20	6.00-12.00	5.00-12.00	35.5 / 8	22	7.5	50	1909510000
VG M25 - MS 1/EMV	M 25	11.00-17.00	9.50-17.00	38.7 / 8	27	8	25	1909520000
VG M32 - MS 1/EMV	M 32	15.00-21.00	13.50-21.00	46 / 8	34	8	10	1909530000
VG M40 - MS 1/EMV	M 40	19.00-28.00	17.00-28.00	52 / 9	43	12	5	1909540000
VG M50 - MS 1/EMV	M 50	27.00-38.00	25.00-38.00	53.5 / 9	58	18	5	1909550000
VG M63 - MS 1/EMV	M 63	34.00-44.00	31.00-44.00	71 / 14	68	25	5	1909560000

Note Further versions on request

EMC cable glands

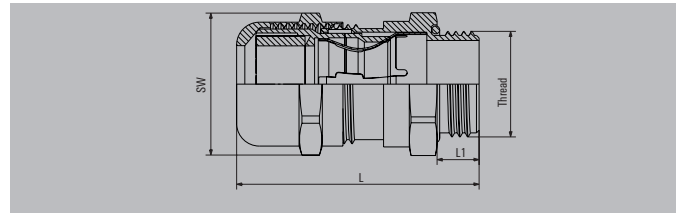
Cable glands - brass - EMV-4



EMC cap nut screw connection with the new and patented contact system for particularly time-saving installation of shielded cables.

The benefits for you:

- very low installation expenditure
- vibration tested
- patented, active contact system



Technical data

Material	Brass, nickel-plated
O-Ring / Seal insert	NBR / CR
Temperature range	-20 °C...100 °C
Protection class	IP66, IP68 - 5 bar (30 min.), IP69K
Clamp insert	Polyamide

Note

Ordering data

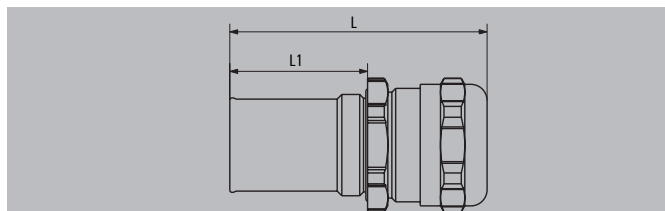
Type	Thread	KB	Shield Ø	L/L1	SW	DR	Qty.	Order No.
VG M12 EMV-4 MS 3-6.5	M 12	3.00-6.50	2.00-5.00	34 / 6	14	3	50	2435070000
VG M16 EMV-4 MS 5-10	M 16	5.00-10.00	3.50-8.00	39 / 6	20	4	50	2435140000
VG M20 EMV-4 MS 6-12	M 20	6.00-12.00	4.50-10.00	38 / 6	22	5.5	50	2435150000
VG M20 EMV-4 MS 8-14	M 20	7.50-14.00	5.50-11.50	48 / 8	24	5.5	50	2435160000
VG M25 EMV-4 MS 10-18	M 25	10.00-18.00	7.00-14.00	51 / 8	30	6	25	2435170000
VG M32 EMV-4 MS 16-25	M 32	16.00-25.00	12.00-20.00	62 / 9	40	6	10	2435180000
VG M40 EMV-4 MS 22-32	M 40	22.00-32.00	18.00-27.00	69.5 / 9	50	12	5	2435190000
VG M50 EMV-4 MS 30-38	M 50	30.00-38.00	26.00-34.00	62 / 9	58	18	5	2435200000
VG M63 EMV-4 MS 34-44	M 63	34.00-44.00	30.00-40.00	73 / 14	68	25	5	2435210000

Note

Cable glands - brass - EMC SET



Cable gland for internal shield connection or potential equalisation; easy-to-use, permanent, secure shield connection.



Technical data

Material	Brass, nickel-plated
O-Ring / Seal insert	NBR / TPE
Temperature range	-40 °C ... 130 °C
Protection class	IP68

Note

Ordering data

Type	Thread	KB	L/L1	SW	DR	Qty.	Order No.
VGM25-MS68 EMC 11-20SET	M 25	11-20	63.5 / 34	30	15	1	1463720000
VGM32-MS68 EMC 15-25SET	M 32	15-25	66.5 / 34	36	15	1	1463730000

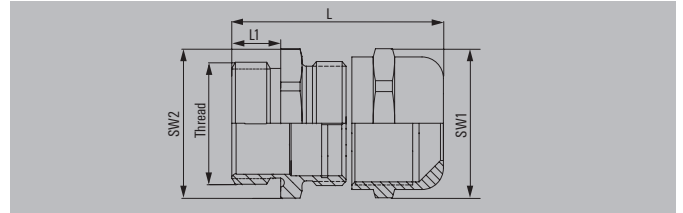
Note

Standard cable glands - Stainless steel

Cable glands - Stainless steel - IP68



Stainless steel cable glands for standard industrial applications that require a high degree of protection (IP68). These cable glands - with their resistance to impact and sea water - are also suitable for use in applications under extreme environmental conditions.



Technical data

Material	Stainless steel 1.4305 (303)
O-Ring / Seal insert	NBR / CR
Temperature range	-40 °C...100 °C
Protection class	IP69K, IP68 - 5 bar (30 min.)
Note	

Ordering data

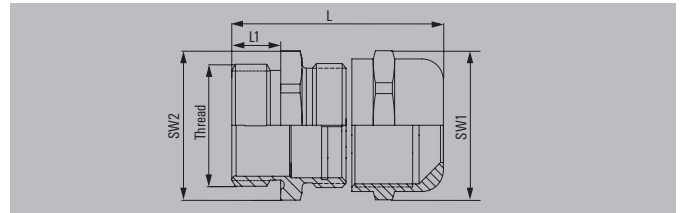
Type	Thread	KB	L/L1	SW1/SW2	DR	Qty.	Order No.
metric							
VGM12-SS 68 KB 3-6.5	M 12	3.00-6.50	28 / 6	14 / 14	5.5	50	1009840000
VGM16-SS 68 KB 4-8	M 16	4.00-8.00	30 / 7	17 / 19	5.5	50	1009850000
VGM20-SS 68 KB 6-12	M 20	6.00-12.00	32 / 8	22 / 22	8	50	1009860000
VGM25-SS 68 KB 10-14	M 25	10.00-14.00	35.5 / 8	24 / 27	11	25	1009870000
VGM32-SS 68 KB 13-18	M 32	13.00-18.00	41.5 / 9	30 / 36	17	20	1009880000
VGM40-SS 68 KB 18-25	M 40	18.00-25.00	49.6 / 9	41 / 46	22	20	1009890000
VGM50-SS 68 KB 22-32	M 50	22.00-32.00	55 / 9	50 / 55	40	5	1009900000
VGM63-SS 68 KB 34-44	M 63	34.00-44.00	67 / 14	65 / 70	50	10	1009910000
PG							
VG 7-SS 68 KB 3-6.5	PG 7	3.00-6.50	28 / 6	14 / 14	3	50	1009740000
VG 9-SS 68 KB 4-8	PG 9	4.00-8.00	29 / 6	17 / 17	4	50	1009750000
VG 11-SS 68 KB 5-10	PG 11	5.00-10.00	31.5 / 6	22 / 22	5	50	1009760000
VG 16-SS 68 KB 10-14	PG 16	10.00-14.00	34 / 6.5	24 / 24	7	25	1009780000
VG 21-SS 68 KB 13-18	PG 21	13.00-18.00	39.7 / 7.2	30 / 30	10	25	1009790000
VG 29-SS 68 KB 18-25	PG 29	18.00-25.00	46.5 / 8	41 / 41	15	20	1009800000
VG 36-SS 68 KB 22-32	PG 36	22.00-32.00	55 / 9	50 / 50	20	15	1009810000

Note 1.4404 (316L) on request

Cable gland - stainless steel - IP68



Cable gland with spherical seal insert that squeezes the cable gently over a large area. This permanently avoids the incisive notch effect that is common with lamella systems.



Technical data

Material	Stainless steel 1.4305 (303)
O-Ring / Seal insert	Silicone / TPE
Temperature range	-40 °C ... 130 °C
Protection class	IP68
Note	

Ordering data

Type	Thread	KB	L/L1	SW	DR	Qty.	Order No.
VGM25-SS68 11-20 BG	M 25	11-20	36.5 / 7.5	30	15	50	1193570000
VGM32-SS68 15-25 BG	M 32	15-25	40 / 8	36	15	25	1193580000
VGM40-SS68 20-32 BG	M 40	20-32	43 / 8	45	20	10	1193590000
VGM40/1-SS68 20-32 BG	M 40	20-32	82 / 8	45	20	10	1205920000

Note When using mounting covers with 3 X M 40 cable input threads, the elongated version must be used for the cable gland in the middle.

Standard cable glands

HQ cable glands



Cable gland especially for the HQ series, available in plastic, brass and as brass EMC version

D

Technical data

Material	Polyamide 6
Seal insert	TPE
Temperature range	-40 °C ... 130 °C
Protection class	IP68
Note	

Ordering data

Type	Thread	KB	SW	DR	Qty.	Order No.
Plastic						
VG 16 HQ K68 9-13	PG 16	9-13	27	6	1	1016070000
VG 16 HQ K68 11.5-15.5	PG 16	11.5-15.5	27	6	1	1016080000
brass						
VG 21 HQ MS68 9-13	PG 21	9-13	30	15	1	1016090000
VG 21 HQ MS68 11.5-15.5	PG 21	11.5-15.5	30	15	1	1016100000
VG 21 HQ MS68 14-18	PG 21	14-18	30	15	1	1016110000
EMC						
VG 21 HQ EMV68 11-15.5	PG 21	11-15.5	30	15	1	1016120000
VG 21 HQ EMV68 14-18	PG 21	14-18	30	15	1	1016130000
only for angled HQ base enclosure (order number 1003110000)						
VG16 HQ K68 9-12SH	PG 16	9-12	30	6	50	1045530000
VG16 HQ K68 11.5-15.5SH	PG 16	11.5-15.5	30	6	50	1045540000
Note						

Overview: Klippon® cable glands and selection tool

ATEX / IECEx certified cable glands and stopping plugs

Cable Gland Type	Outer Elastomeric Seal	Inner Elastomeric Seal	Lead Option	Armour Clamp	Certification	IP Rating	Page No.
KDSU	YES	YES	NO	Universal	Ex d / Ex e	IP68	D.30
KDSW	YES	YES	YES	Steel wire	Ex d / Ex e	IP66, IP68	D.34
KDSX	YES	YES	NO	Braided	Ex d / Ex e	IP66, IP68	D.40
KUB	YES	Compound	NO	Universal	Ex d	IP68	D.44
KSG	YES	NO	NO	No	Ex d / Ex e	IP66, IP68	D.42

General

Health & Safety

When Weidmüller cable glands and the accessories are used and installed as prescribed within the data sheet provided, they will not cause any danger or hazard to the health or safety of persons, animals or property. The products should be installed by suitably trained/skilled personnel and in full accordance with the relevant legislative regulations and the accepted code of practice for the industry concerned.

Warning

Weidmüller cable glands and accessories should not be used within any application other than those specified for each product, unless Weidmüller issue a statement in writing that the product is suitable for the specified application. For further information on each product, we refer you to the specific Assembly Instructions and General Arrangement drawings, which are available on request. Weidmüller takes no responsibility for any damage, injury or other consequential loss caused where the glands are not installed or used according to our Assembly Instructions.

Installation in hazardous area applications

If cable glands and accessories are installed in hazardous area applications, international and national standards of the Explosion Protection have to be considered.

Klippon® KDSU Cable Glands

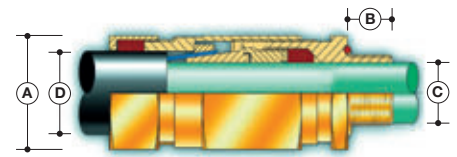
The KDSU type glands provide a universal armour clamp for steel wire, steel tape, screened or braided cables. An electrical bond between the cable armour and the gland is ensured. The gland can also be used to terminate un-armoured cables. In addition, the gland is fitted with two separate seals to seal the outer and inner cable insulation.

When choosing the gland with a neoprene sealing a temperature range from -20 °C to +85 °C will be achieved. Whereas the gland with silicone sealing ensures a temperature range from -60 °C to +180 °C.

With both sealing materials an IP rating of IP68 to 25 metres (30 min. at 2.5 bar) is maintained. The KDSU is approved for explosion protection type of pressure-resistant encapsulation Ex d and increased safety Ex e.

Structure of the part description

Order key	[Type]	[a]	[b]	[c]	[d]	[e]	[f]	[ggg]
Example article description	KDSU	M20	B	S	0	SC	1	G16
Meaning	[Type] = Gland type (KDSU)	[a] = Entry thread (M20-M75)	[b] = Material (B = brass)	[c] = Seal material (S = Silicone, N = Neoprene)	[d] = Continuity for lead sheath (L = yes, 0 = no)	[e] = Plating (SC = self-coloured, NI = Nickel)	[f] = Cable outer sheath (1 = Reduced, 2 = Standard)	[ggg] = Gland size (G16-G75)
Note	Refer to page C.27 Selection Guide Klippon® Cable Glands to determine the suitable order number							



Dimensions

Gland Size [ggg]	Entry thread [a]	Entry thread Length [B]	Max Outer Diameter [A]	Max Length	Gland Seal Range						Armour Acceptance Range	Shroud Size
					Cable Inner Sheath [C]		Cable Outer Sheath [D]					
					Min	Max	Standard [f] = 2		Reduced [f] = 1			
G16	M20	16	28.0	78.0	3.4	8.4	9.0	13.5	6.7	10.3	0.15 - 1.25	L24
G20S	M20	16	28.0	78.0	7.2	11.7	11.5	16.0	9.4	12.5	0.15 - 1.25	L24
G20	M20	16	33.0	78.0	9.4	14.0	15.5	21.1	12.0	17.6	0.15 - 1.25	EL30
G25	M25	16	41.4	90.0	13.5	20.0	20.3	27.4	16.8	23.9	0.15 - 1.60	EL38
G32	M32	16	50.6	105.0	19.5	26.3	26.7	34.0	23.2	30.5	0.15 - 2.00	EL46
G40	M40	16	60.5	113.0	23.0	32.2	33.0	40.6	28.6	36.2	0.20 - 2.00	EL55
G50S	M50	16	71.5	125.0	28.1	38.2	39.4	46.7	34.8	42.4	0.30 - 2.50	EL65
G50	M50	16	71.5	125.0	33.1	44.1	45.7	53.2	41.1	48.5	0.30 - 2.50	EL65
G63S	M63	19	88.0	125.0	39.2	50.1	52.1	59.5	47.5	54.8	0.30 - 2.50	EL80
G63	M63	19	88.0	125.0	46.7	56.0	58.4	65.8	53.8	61.2	0.30 - 2.50	EL80
G75S	M75	19	99.0	131.0	52.1	62.0	64.8	72.2	60.2	68.0	0.30 - 2.50	EL90
G75	M75	19	99.0	131.0	58.0	68.0	71.1	78.0	66.5	73.4	0.30 - 2.50	EL90
Dimensions in mm												

Important Notes

- The gland size does not necessarily equate to the entry thread size.
- In some cases several gland sizes can be chosen due to overlapping inner as well as outer cable diameters. Due to the wide range of armoured cables available, it is necessary to select the correct clamping range. This is achieved by taking the inner and outer clamping range values to determine the best fit (as close as possible to the Min/Max values average).
- All cable glands have a 1.5 mm pitch.
- For Flameproof Ex d applications the female thread into which the gland is to be fitted must achieve an engagement of at least 5 full threads in compliance with clause 5.3 of EN/IEC 60079-1.
- Where KDSU glands are fitted into non-metallic Increased Safety Ex e enclosures they must be included within the earth circuit of the system.
- Fully assembly instructions are supplied with the glands. The instructions must be read prior to installation and adhered to in full.
- When the gland is used to terminate un-armoured cables, the gland is suitable only for fixed installation.

The KDSW glands provide an armour clamp for steel wire, steel tape and lead sheathed cables. An electrical bond between the cable armour and the gland is ensured. In addition, the gland is fitted with two separate sealings to seal the outer and inner cable insulation.

When choosing the gland with a neoprene sealing a temperature range from -20 °C to +85 °C will be achieved, whereas the gland with silicone sealing ensures a temperature range from -60 °C to +180 °C. With both sealing materials an IP rating of IP66 and IP68 to 25 metres (30 min at 2.5 bar) is maintained. The KDSW gland is approved for Flameproof Ex d and Increased Safety Ex e applications.

Structure of the part description

Order key	[Type]	[a]	[b]	[c]	[d]	[e]	[f]	[ggg]
Example article description	KDSW	M20	B	S	L	SC	1	G16
Meaning	[Type] = Gland type (KDSW) [a] = Entry thread (M20-M75) [b] = Material (B = brass) [c] = Seal material (S = Silicone, N = Neoprene) [d] = Continuity for lead sheath (L = yes, O = no) [e] = Plating (SC = self-coloured, NI = Nickel) [f] = Cable outer sheath (1 = Reduced, 2 = Standard) [ggg] = Gland size (G16-G75)							
Note	Refer to page C.27 Selection Guide Klippon® Cable Glands to determine the suitable order number							



Dimensions

Gland Size [ggg]	Entry thread [a]	Entry thread Length [B]	Max Outer Diameter [A]	Max Length	Gland Seal Range						Armour Acceptance Range	Shroud Size
					Cable Inner Sheath [C]		Cable Outer Sheath [D]					
					Min	Max	Standard [f] = 2		Reduced [f] = 1			
G16	M20	16	26.5	58.0	4.0	8.4	8.4	13.5	4.9	10.0	0.90	L24
G20S	M20	16	26.5	58.0	8.0	11.7	11.5	16.0	9.4	12.5	0.90 - 1.25	L24
G20	M20	16	33.0	58.0	6.7	14.0	15.5	21.1	12.0	17.6	0.90 - 1.25	L30
G25	M25	16	41.4	58.0	13.0	20.0	20.3	27.4	16.8	23.9	1.25 - 1.60	L38
G32	M32	16	50.6	65.0	19.0	26.3	26.7	34.0	23.2	30.5	1.60 - 2.00	L46
G40	M40	16	60.5	72.0	25.0	32.2	33.0	40.6	28.6	36.2	1.60 - 2.00	L55
G50S	M50	16	71.5	73.0	31.5	38.2	39.4	46.7	34.8	42.4	2.00 - 2.50	L65
G50	M50	16	71.5	73.0	36.5	44.1	45.7	53.2	41.1	48.5	2.00 - 2.50	L65
G63S	M63	19	88.0	76.0	42.5	50.1	52.1	59.5	47.5	54.8	2.50	L80
G63	M63	19	88.0	76.0	49.5	56.0	58.4	65.8	53.8	61.2	2.50	L80
G75S	M75	19	99.0	82.0	54.5	62.0	64.8	72.2	60.2	68.0	2.50	L90
G75	M75	19	99.0	82.0	60.5	68.0	71.1	78.0	66.5	73.4	2.5	L90

Dimensions in mm

Important Notes

- The gland size does not necessarily equate to the entry thread size.
- In some cases several gland sizes can be chosen due to overlapping inner as well as outer cable diameters. Due to the wide range of armoured cables available, it is necessary to select the correct clamping range. This is achieved by taking the inner and outer clamping range values to determine the best fit (as close as possible to the Min/Max values average).
- All cable glands have a 1.5 mm pitch.
- For Flameproof Ex d applications the female thread into which the gland is to be fitted must achieve an engagement of at least 5 full threads in compliance with clause 5.3 of EN/IEC 60079-1.
- Where KDSW glands are fitted into non-metallic Increased Safety Ex e enclosures they must be included within the earth circuit of the system.
- Fully assembly instructions are supplied with the glands. The instructions must be read prior to installation and adhered to in full.
- When the gland is used to terminate un-armoured cables, the gland is suitable only for fixed installation.
- KDSW gland size G20 with silicone seal, the silicone inner seal only seals to a minimum of 11 mm and NOT 6.7 mm.

Klippon® KDSX Cable Glands

The KDSX glands provide an armour clamp for braided cables. An electrical bond between the cable armour and the gland is ensured. In addition, the gland is fitted with two separate sealings to seal the outer and inner cable insulation.

The gland maintains a temperature range from -60 °C to +180 °C. With both sealing materials an IP rating of IP66 and IP68 to 25 metres (30 min at 2.5 bar) is maintained. The KDSX gland is approved for Flameproof Ex d and Increased Safety Ex e applications.

Structure of the part description

Order key	[Type]	[a]	[b]	[c]	[d]	[e]	[f]	[ggg]
Example article description	KDSX	M20	B	S	0	SC	1	G16
Meaning	[Type] = Gland type (KDSX) [a] = Entry thread (M20-M75) [b] = Material (B = brass) [c] = Seal material (S = Silicone) [d] = Continuity for lead sheath (L = yes, 0 = no) [e] = Plating (SC = self-coloured, NI = Nickel) [f] = Cable outer sheath (1 = Reduced, 2 = Standard) [ggg] = Gland size (G16-G75)							
Note	Refer to page C.27 Selection Guide Klippon® Cable Glands to determine the suitable order number							



Dimensions

Gland Size [ggg]	Entry thread [a]	Entry thread Length [B]	Max Outer Diameter [A]	Max Length	Gland Seal Range						Armour Acceptance Range	Shroud Size
					Cable Inner Sheath [C]		Cable Outer Sheath [D]					
					Min	Max	Standard [f] = 2		Reduced [f] = 1			
G16	M20	16	26.5	58.0	4.0	8.4	8.4	13.5	4.9	10.0	0.15 - 0.35	L24
G20S	M20	16	26.5	58.0	8.0	11.7	11.5	16.0	9.4	12.5	0.15 - 0.35	L24
G20	M20	16	33.0	58.0	6.7	14.0	15.5	21.1	12.0	17.6	0.15 - 0.50	L30
G25	M25	16	41.4	58.0	13.0	20.0	20.3	27.4	16.8	23.9	0.15 - 0.50	L38
G32	M32	16	50.6	65.0	19.0	26.3	26.7	34.0	23.2	30.5	0.15 - 0.55	L46
G40	M40	16	60.5	72.0	25.0	32.2	33.0	40.6	28.6	36.2	0.20 - 0.60	L55
G50S	M50	16	71.5	73.0	31.5	38.2	39.4	46.7	34.8	42.4	0.20 - 0.60	L65
G50	M50	16	71.5	73.0	36.5	44.1	45.7	53.2	41.1	48.5	0.30 - 0.80	L65
G63S	M63	19	88.0	76.0	42.5	50.1	52.1	59.5	47.5	54.8	0.30 - 0.80	L80
G63	M63	19	88.0	76.0	49.5	56.0	58.4	65.8	53.8	61.2	0.30 - 0.80	L80
G75S	M75	19	99.0	82.0	54.5	62.0	64.8	72.2	60.2	68.0	0.30 - 1.00	L90
G75	M75	19	99.0	82.0	60.5	68.0	71.1	78.0	66.5	73.4	0.30 - 1.00	L90

Dimensions in mm

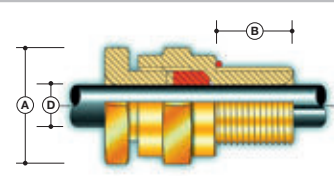
Important Notes

- The gland size does not necessarily equate to the entry thread size.
- In some cases several gland sizes can be chosen due to overlapping inner as well as outer cable diameters. Due to the wide range of armoured cables available, it is necessary to select the correct clamping range. This is achieved by taking the inner and outer clamping range values to determine the best fit (as close as possible to the Min/Max values average).
- All cable glands have a 1.5 mm pitch.
- For Flameproof Ex d applications the female thread into which the gland is to be fitted must achieve an engagement of at least 5 full threads in compliance with clause 5.3 of EN/IEC 60079-1.
- Where KDSX glands are fitted into non-metallic Increased Safety Ex e enclosures they must be included within the earth circuit of the system.
- Fully assembly instructions are supplied with the glands. The instructions must be read prior to installation and adhered to in full.
- When the gland is used to terminate un-armoured cables, the gland is suitable only for fixed installation.
- KDSX gland size G20 with silicone seal, the silicone inner seal only seals to a minimum of 11 mm and NOT 6.7 mm.

The KSG gland is designed to terminate un-armoured cables. When choosing the gland with a neoprene sealing a temperature range from -20 °C to +85 °C will be achieved, whereas the gland with silicone sealing ensures a temperature range from -60 °C to +180 °C. With both sealing materials an IP rating of IP66 and IP68 to 25 metres (30 min. at 2.5 bar) is maintained. The KSG type gland is approved for Flameproof Ex d and Increased Safety Ex e applications.

Structure of the part description

Order key	[Type]	[a]	[b]	[c]	[d]	[e]	[f]	[ggg]
Example article description	KSG	M20	B	S	0	SC	2	G16
Meaning	[Type] = Gland type (KSG) [a] = Entry thread (M20-M90) [b] = Material (B = brass) [c] = Seal material (S = Silicone, N = Neoprene) [d] = Continuity for lead sheath (L = yes, 0 = no) [e] = Plating (SC = self-coloured, NI = Nickel) [f] = Cable outer sheath (2 = Standard) [ggg] = Gland size (G16-G90)							
Note	Refer to page C.27 Selection Guide Klippon® Cable Glands to determine the suitable order number							



D

Dimensions

Gland Size [ggg]	Entry thread [a]	Entry thread Length [B]	Max Outer Diameter [A]	Max Length	Gland Seal Range		Shroud Size
					Cable Outer Sheath [D]		
					Standard [f] = 2		
					Min	Max	
G16	M20	16	28.0	33.0	4.0	8.4	L24
G20S	M20	16	28.0	33.0	7.2	11.7	L24
G20	M20	16	33.0	33.0	9.6	14.0	L30
G25	M25	16	41.4	33.0	13.5	20.0	L38
G32	M32	16	50.6	33.0	19.5	26.3	L46
G40	M40	16	60.5	37.0	23.0	32.2	L55
G50S	M50	16	71.5	37.0	28.2	38.2	L65
G50	M50	16	71.5	37.0	33.2	44.1	L65
G63S	M63	19	88.0	37.0	39.3	50.1	L80
G63	M63	19	88.0	37.0	46.7	56.0	L80
G75S	M75	19	99.0	37.0	52.3	62.0	L90
G75	M75	19	99.0	37.0	58.1	69.0	L90

Dimensions in mm

Important Notes

- The gland size does not necessarily equate to the entry thread size.
- In some cases several gland sizes can be chosen due to overlapping inner as well as outer cable diameters. Due to the wide range of armoured cables available, it is necessary to select the correct clamping range. This is achieved by taking the inner and outer clamping range values to determine the best fit (as close as possible to the Min/Max values average).
- All cable glands have a 1.5 mm pitch.
- For Flameproof Ex d applications the female thread into which the gland is to be fitted must achieve an engagement of at least 5 full threads in compliance with clause 5.3 of EN/IEC 60079-1.
- Where KSG glands are fitted into non-metallic Increased Safety Ex e enclosures they must be included within the earth circuit of the system.
- Fully assembly instructions are supplied with the glands. The instructions must be read prior to installation and adhered to in full.
- When the gland is used to terminate un-armoured cables, the gland is suitable only for fixed installation.

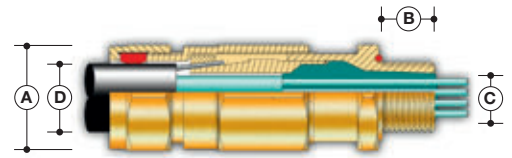
Klippon® KUB Cable Glands

The KUB gland provide an armour clamp for steel tape, steel wire and braided cables. An electrical bond between the cable armour and the gland is ensured. The gland can also be used to terminate unarmoured cables. Additionally, the gland provides a single pull resistant seal on the outer sheath of any cable. After clamping the cable armour onto the cone, the cable has to be filled with the provided compound to seal the free spaces between the single conductors.

The gland maintains a temperature range from -60 °C to +85 °C. When filled, the gland fulfills an IP rating of IP68 to 100 metres (30 Min. at 10 bar). The KUB gland is only suitable for Ex d applications.

Structure of the part description

Order key	[Type]	[a]	[b]	[c]	[d]	[e]	[f]	[ggg]
Example article description	KUB	M20	B	S	0	SC	1	G16
Meaning	[Type] = Gland type (KUB) [a] = Entry thread (M20-M75) [b] = Material (B = brass) [c] = Seal material (S = Silicone) [d] = Continuity for lead sheath (L = yes, 0 = no) [e] = Plating (SC = self-coloured, NI = Nickel) [f] = Cable outer sheath (1 = Reduced, 2 = Standard) [ggg] = Gland size (G16-G75)							
Note	Refer to page C.27 Selection Guide Klippon® Cable Glands to determine the suitable order number							



Dimensions

Gland Size	Entry thread	Entry thread Length	Max Outer Diameter	Max Length	Gland Seal Range								Armour Acceptance Range	Shroud Size
					Cable Inner Sheath [C]			Cable Outer Sheath [D]						
					X	Y	Z	Standard [f] = 2		Reduced [f] = 1				
Min	Max	Min	Max											
G16	M20	16	28.0	72.0	7	9.0	11.7	9.0	13.5	6.7	10.3	0.15 - 1.25	L24	
G20S	M20	16	28.0	72.0	8	10.4	11.7	11.5	16.0	9.4	12.5	0.15 - 1.25	L24	
G20	M20	16	33.0	73.0	14	12.5	14.0	15.5	21.1	12.0	17.6	0.15 - 1.25	EL30	
G25	M25	16	41.4	83.0	25	17.8	20.0	20.3	27.4	16.8	23.9	0.15 - 1.60	EL38	
G32	M32	16	50.6	103.0	50	23.5	26.3	26.7	34.0	23.2	30.5	0.15 - 2.00	EL46	
G40	M40	16	60.5	105.0	80	28.8	32.2	33.0	40.6	28.6	36.2	0.20 - 2.00	EL55	
G50S	M50	16	71.5	115.0	100	34.2	38.2	39.4	46.7	34.8	42.4	0.30 - 2.50	EL65	
G50	M50	16	71.5	115.0	100	39.4	44.1	45.7	53.2	41.1	48.5	0.30 - 2.50	EL65	
G63S	M63	19	88.0	115.0	120	44.8	50.1	52.1	59.5	47.5	54.8	0.30 - 2.50	EL80	
G63	M63	19	88.0	115.0	120	50.0	56.0	58.4	65.8	53.8	61.2	0.30 - 2.50	EL80	
G75S	M75	19	99.0	122.0	140	55.4	62.0	64.8	72.2	60.2	68.0	0.30 - 2.50	EL90	
G75	M75	19	99.0	122.0	140	60.8	68.0	71.1	78.0	66.5	73.4	0.30 - 2.50	EL90	

Dimensions in mm

Important Notes

- The gland size does not necessarily equate to the entry thread size.
- In some cases several gland sizes can be chosen due to overlapping inner as well as outer cable diameters. Due to the wide range of armoured cables available, it is necessary to select the correct clamping range. This is achieved by taking the inner and outer clamping range values to determine the best fit (as close as possible to the Min/Max values average).
- X = Maximum numbers of cores
- Y = Maximum over cores
- Z = Maximum inner sheath
- All cable glands have a 1.5 mm pitch.
- For Flameproof Ex d applications the female thread into which the gland is to be fitted must achieve an engagement of at least 5 full threads in compliance with clause 5.3 of EN/IEC 60079-1.
- Where KUB glands are fitted into non-metallic Increased Safety Ex e enclosures they must be included within the earth circuit of the system
- Fully assembly instructions are supplied with the glands. The instructions must be read prior to installation and adhered to in full.
- When the gland is used to terminate un-armoured cables, the gland is suitable only for fixed installation

Selection Guide Klippon® Cable Glands

Purpose: Generation of the article description

By selecting the suitable cable gland different factors have to be considered, such as

- The environment of the application
- The conditions inside the enclosure
- The construction of the cable

By using the Selection Guide Klippon® Cable Glands the article description will be generated following the step by step process to create the 7 character order key. From this the order number can be identified.

The order key consists out of the following attributes:

Order key	[Type]	[a]	[b]	[c]	[d]	[e]	[f]	[ggg]
Example Article Description	KDSU	M20	B	S	0	SC	1	G16
Meaning	[Type] = Gland type (KDSU, KDSW, KDSX, KSG, KUB)	[a] = Entry thread (M20-M75)	[b] = Material (B = brass)	[c] = Seal material (S=Silicone, N=Neoprene)	[d] = Continuity for lead sheath (L = yes, 0 = no)	[e] = Plating (SC = self-coloured, NI = nickel-plated)	[f] = Cable outer sheath (1 = Reduced, 2 = Standard)	[ggg] = Gland size (G16-G75)

Application example

Within an Ex d application on an Off-Shore platform a suitable cable gland for the termination into an enclosure is required.

Following details about the application are given:

- The enclosure will be used for the control of a motor circuit breaker
- The enclosure has a volume of 1.3 dm³ and is installed outdoor.
- The application is in the field, a place in which an explosive atmosphere is likely to occur in normal operation, occasionally (Zone 1)
- The surrounding atmosphere of the enclosure consists Ethylene (gas group IIB)
- The enclosure operates in a temperature range of -25 °C to +45 °C
- The armour of the cable is unknown, no lead sheathed cable
- The cable outer sheath diameter is 10 mm
- The cable inner sheath diameter is 8 mm

Based on the information in the above shown example case the article description will be determined on the following pages.

1. Selection of the cable gland type [type] and continuity for lead sheath [d]

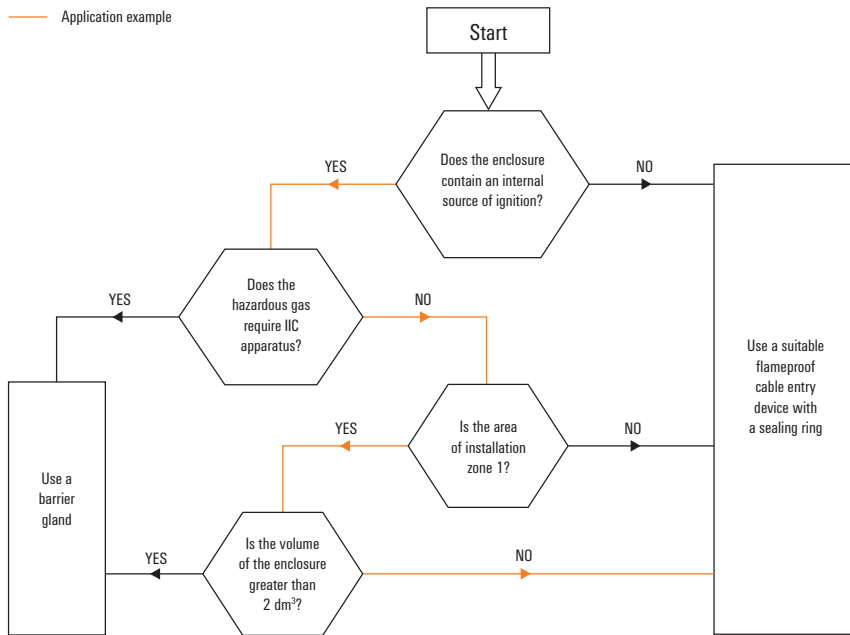
Order key	[Type]	[a]	[b]	[c]	[d]	[e]	[f]	[ggg]
Example Article Description								

1a) Selection of the cable gland type in regard to the ignition protection type

[Type]	Ignition Protection Type
KDSU	Ex d / Ex e
KDSW	Ex d / Ex e
KDSX	Ex d / Ex e
KSG	Ex d / Ex e
KUB	Ex d

Because it is an Ex d application all cable gland types (marked in blue) can come into consideration.

For Ex d applications the following questionnaire according to the IEC 60079-14 standard has to be passed to find out if a barrier gland ([Type]=KUB) or if a cable gland with a sealing ring ([Type]=KDSU,KDSW,KDSX) has to be used.



By passing this questionnaire with the given information of the example case the orange marked way has to be followed and the result is that a cable gland with sealing ring has to be used. Consequently the blue marked cable gland types below can come into consideration.

Gland type	Type of sealing
KDSU	Sealing ring
KDSW	Sealing ring
KDSX	Sealing ring
KSG	Sealing ring
KUB	Compound

1b) Selection of the cable gland type in regard to the continuity for lead sheath

[Type]	[d]	Continuity for lead sheath
KDSU	0	No
KDSW	L / 0	Yes
KDSX	0	No
KSG	0	No
KUB	0	No

In the example case a cable without lead sheath is to be terminated, therefore the option to clamp a lead sheathed cable is not needed. Consequently is

[d] = 0

All four gland types marked in blue can be used.

1c) Selection of the cable gland type in regard to the type of armour

[Type]	Armour
KDSU	Universal
KDSW	Steel wire, steel tape
KDSX	Braided
KSG	No armour
KUB	Universal

Because the type of armour of the cable is unknown, the cable gland type KDSU has to be selected. Consequently is

[Type] = KDSU

The generated information has to be filled into the order key below:

Order key	[Type]	[a]	[b]	[c]	[d]	[e]	[f]	[ggg]
Example Article Description	KDSU				0			

2. Selection of the material [b], the sealing material [c] and the plating [e] of the cable gland

Order key	[Type]	[a]	[b]	[c]	[d]	[e]	[f]	[ggg]
Example Article Description	KDSU				0			

2a) Selection of the material [b]

All cable gland types are made from brass "b". Other materials can also be provided upon request.

Consequently is

[b] = B

2b) Selection of the sealing material [c] based on the required temperature range

The cable glands can be ordered with either a neoprene seal "N" or a silicone seal "S".

Glands with a neoprene seal can be used in a temperature range from -20 °C to +85 °C, whereas glands with silicone seal maintain a temperature range from -60 °C to +180 °C. (KUB glands are certified to a temperature of -60 °C to +85 °C).

[Type]	[c]	Seal material
KDSU	N,S	Neoprene, Silicone
KDSW	N,S	Neoprene (with continuity for lead sheath), Silicone
KDSX	S	Silicone
KSG	N,S	Neoprene, Silicone
KUB	N	Silicone (-60 °C to +85 °C)

Because the enclosure in the example case operates in a temperature range of -25 °C to +45 °C, a cable gland with a silicone seal has to be used.

Consequently is

[c] = „S“ (Silicone)

2c) Selection of the plating [e]

All cable glands can be provided either with nickel plated surface "NI" or with self-coloured surface "SC".

In the example case the enclosure is used outdoor, therefore it can come into contact with water in form of rain, so that a cable gland with nickel plated surface as protection against corrosion and wear has to be selected. Consequently is [e] = „NI“

The generated information has to be filled into the order key below:

Order key	[Type]	[a]	[b]	[c]	[d]	[e]	[f]	[ggg]
Example Article Description	KDSU		B	S	0	NI		

3. Selection of the entry thread [a], the cable outer sheath variant [f] and the gland size [ggg]

Order key	[Type]	[a]	[b]	[c]	[d]	[e]	[f]	[ggg]
Example Article Description	KDSU		B	S	0	NI		

The suitable gland size [ggg] will be selected based on the inner and outer sheath diameters of the cable. Thereby the entry thread size [a] and the cable outer sheath variant [f] result.

In the example case the following diameters are given:

Cable Outer Sheath: 10 mm (By looking into the below shown dimensions chart of the KDSU the orange marked clamping ranges (Cable Outer Sheath [D]) can be selected).

Cable Inner Sheath: 8 mm (By looking into the below shown dimensions chart of the KDSU the orange marked clamping ranges (Cable Inner Sheath [C]) can be selected).

Dimensions

Gland Size [ggg]	Entry thread	Entry thread Length [B]	Max Outer Diameter [A]	Max Length	Gland Seal Range						Armour Acceptance Range	Shroud Size
					Cable Inner Sheath [C]		Cable Outer Sheath [D]					
					Min	Max	Standard [f]=2		Reduced [f]=1			
							Min	Max	Min	Max		
G16	M20	16	28.0	78.0	3.4	8.4	9.0	13.5	6.7	10.3	0.15 - 1.25	L24
G20S	M20	16	28.0	78.0	7.2	11.7	11.5	16.0	9.4	12.5	0.15 - 1.25	L24
G20	M20	16	33.0	78.0	9.4	14.0	15.5	21.1	12.0	17.6	0.15 - 1.25	EL30
G25	M25	16	41.4	90.0	13.5	20.0	20.3	27.4	16.8	23.9	0.15 - 1.60	EL38
G32	M32	16	50.6	105.0	19.5	26.3	26.7	34.0	23.2	30.5	0.15 - 2.00	EL46
G40	M40	16	60.5	113.0	23.0	32.2	33.0	40.6	28.6	36.2	0.20 - 2.00	EL55
G50S	M50	16	71.5	125.0	28.1	38.2	39.4	46.7	34.8	42.4	0.30 - 2.50	EL65
G50	M50	16	71.5	125.0	33.1	44.1	45.7	53.2	41.1	48.5	0.30 - 2.50	EL65
G63S	M63	19	88.0	125.0	39.2	50.1	52.1	59.5	47.5	54.8	0.30 - 2.50	EL80
G63	M63	19	88.0	125.0	46.7	56.0	58.4	65.8	53.8	61.2	0.30 - 2.50	EL80
G75S	M75	19	99.0	131.0	52.1	62.0	64.8	72.2	60.2	68.0	0.30 - 2.50	EL90
G75	M75	19	99.0	131.0	58.0	68.0	71.1	78.0	66.5	73.4	0.30 - 2.50	EL90

All dimensions in mm

D

By the selection of the inner [C] resp. outer [D] clamping range, a range should be used where the diameter of the cable outer and inner sheath are as near as possible to the average of the Min/Max Values. In doing so, the reduced cable outer sheath with the gland size G20S and the entry thread of M20 has to be selected.

Consequently is

[f]=1

[ggg]=G20S

[a]=M20

The generated information has to be filled into the order key below:

Order key	[Type]	[a]	[b]	[c]	[d]	[e]	[f]	[ggg]
Article description	KDSU	M20	B	S	0	NI	1	G20S

Resulting from the complete article description the relating order number (brown marked) can be determined.

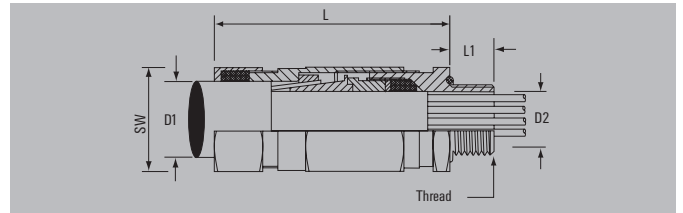
Extract from table KDSU "Nickel-plated brass gland with silicone sealing" on page C.33

Order No.	Description	[Type]	[a]	[b]	[c]	[d]	[e]	[f]	[ggg]	Qty.
0930001221	KDSU M20 BS 0 NI 1 G16	KDSU	M20	B	S	0	NI	1	G16	20
0930001222	KDSU M20 BS 0 NI 2 G16	KDSU	M20	B	S	0	NI	2	G16	20
0930011223	KDSU M20 BS 0 NI 1 G20S	KDSU	M20	B	S	0	NI	1	G20S	20
0930011224	KDSU M20 BS 0 NI 2 G20S	KDSU	M20	B	S	0	NI	2	G20S	20
0930021221	KDSU M20 BS 0 NI 1 G20	KDSU	M20	B	S	0	NI	1	G20	20
...

Klippon® cable glands - Brass - Ex e, Ex d, IP68 for armoured and non-armoured cables



All-purpose cable gland for cables and lines with single-wire armouring, metal-foil armouring and braided armouring. Non-armoured cables and lines can also be connected.



Technical data

Material	Brass
O-Ring / Seal insert	NBR / CR
Temperature range	-20 °C...85 °C
Degree of protection	IP66, IP68 - 2.5 bar
Water depth	25 m (30 Min.)
Type of armouring	Single-wire armouring, Metal foil armouring, Braided armouring
Marking	ATEX: II 2G, Ex d IIC Gb, Ex e IIC Gb; II 1D, Ex ta IIIC Da, IECEx: Ex d IIC Gb; Ex e IIC Gb; Ex ta IIIC Da
Certificate no. (ATEX / IECEx / EAC)	SIRA 05 ATEX 1285X / IECExSIR05.0067X / RUC-DE.IT08.B.00594
Note	Length „L“ varies according to cable diameter used.

Ordering data

Type	Thread	D1 outer cable Ø	D2 inner cable Ø	Cable armour	L/L1	SW	SUHB	Qty.	Order No.
metric, brass									
KDSU M20 BN 0 SC 1 G16	M 20	6.70-10.30	3.40-8.40	0.1-1.25	78 / 16	24	L24	20	1076120000
KDSU M20 BN 0 SC 2 G16	M 20	9.00-13.50	3.40-8.40	0.1-1.25	78 / 16	24	L24	20	1909260000
KDSU M20 BN 0 SC 1 G20S	M 20	9.40-12.50	7.20-11.70	0.1-1.25	78 / 16	24	L24	20	1076130000
KDSU M20 BN 0 SC 2 G20S	M 20	11.50-16.00	7.20-11.70	0.1-1.25	78 / 16	24	L24	20	1909290000
KDSU M20 BN 0 SC 1 G20	M 20	12.00-17.60	9.40-14.00	0.1-1.25	78 / 16	30	EL30	20	1076140000
KDSU M20 BN 0 SC 2 G20	M 20	15.50-21.10	9.40-14.00	0.1-1.25	78 / 16	30	EL30	20	1909300000
KDSU M25 BN 0 SC 1 G25	M 25	16.80-23.90	13.50-20.00	0.1-1.6	90 / 16	38	EL38	20	1076150000
KDSU M25 BN 0 SC 2 G25	M 25	20.30-27.40	13.50-20.00	0.1-1.6	90 / 16	38	EL38	20	1909310000
KDSU M32 BN 0 SC 1 G32	M 32	23.20-30.50	19.50-26.30	0.1-2	105 / 16	46	EL46	10	1076160000
KDSU M32 BN 0 SC 2 G32	M 32	26.70-34.00	19.50-26.30	0.1-2	105 / 16	46	EL46	10	1909320000
KDSU M40 BN 0 SC 1 G40	M 40	28.60-36.20	23.00-32.20	0.1-2	113 / 16	55	EL55	10	1076170000
KDSU M40 BN 0 SC 2 G40	M 40	33.00-40.60	23.00-32.20	0.1-2	113 / 16	55	EL55	10	1909330000
KDSU M50 BN 0 SC 1 G50S	M 50	34.80-42.40	28.10-38.20	0.1-2.5	125 / 16	65	EL65	1	1076180000
KDSU M50 BN 0 SC 2 G50S	M 50	39.40-46.70	28.10-38.20	0.1-2.5	125 / 16	65	EL65	1	1909340000
KDSU M50 BN 0 SC 1 G50	M 50	41.10-48.50	33.10-44.10	0.1-2.5	125 / 16	65	EL65	1	1076190000
KDSU M50 BN 0 SC 2 G50	M 50	45.70-53.20	33.10-44.10	0.1-2.5	125 / 16	65	EL65	1	1909350000
KDSU M63 BN 0 SC 1 G63S	M 63	47.50-54.80	39.20-50.10	0.1-2.5	125 / 19	80	EL80	1	1076200000
KDSU M63 BN 0 SC 2 G63S	M 63	52.10-59.50	39.20-50.10	0.1-2.5	125 / 19	80	EL80	1	1909360000
KDSU M63 BN 0 SC 1 G63	M 63	53.80-61.20	46.70-56.00	0.1-2.5	125 / 19	80	EL80	1	1076210000
KDSU M63 BN 0 SC 2 G63	M 63	58.40-65.80	46.70-56.00	0.1-2.5	125 / 19	80	EL80	1	1909370000
KDSU M75 BN 0 SC 1 G75S	M 75	60.20-68.00	52.10-62.00	0.1-2.5	131 / 19	90	EL90	1	1076220000
KDSU M75 BN 0 SC 2 G75S	M 75	64.80-72.20	52.10-62.00	0.1-2.5	131 / 19	90	EL90	1	1076230000
KDSU M75 BN 0 SC 1 G75	M 75	66.50-73.40	58.00-68.00	0.1-2.5	131 / 19	90	EL90	1	1076240000
KDSU M75 BN 0 SC 2 G75	M 75	71.10-78.00	58.00-68.00	0.1-2.5	131 / 19	90	EL90	1	1076260000

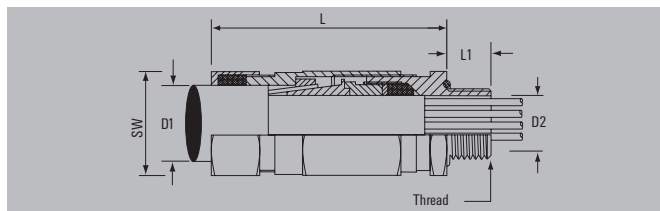
Note

- All cable glands have a thread pitch of 1.5 mm.
- In the case of Ex d applications, the inner threads used for cable glands must meet the requirements of section 5.3 of EN/IEC 60079-1. In the screwed in position, at least 5 threads must be engaged.
- If the cable glands are installed in non-metallic Ex e connection equipment, these must be connected to the protective earth of the system.
- The connection cable must be laid securely and inflexibly to rule out tensile stress.

Klippon® cable glands - nickel-plated brass - Ex e, Ex d, IP68 for armoured and non-armoured cables



All-purpose cable gland for cables and lines with single-wire armouring, metal-foil armouring and braided armouring. Non-armoured cables and lines can also be connected.



Technical data

Material	Brass, nickel-plated
O-Ring / Seal insert	NBR / CR
Temperature range	-20 °C...85 °C
Degree of protection	IP66, IP68 - 2.5 bar
Water depth	25 m (30 Min.)
Type of armouring	Single-wire armouring, Metal foil armouring, Braided armouring
Marking	ATEX: II 2G, Ex d IIC Gb, Ex e IIC Gb; II 1D, Ex ta IIIC Da, IECEx: Ex d IIC Gb; Ex e IIC Gb; Ex ta IIIC Da
Certificate no. (ATEX / IECEx / EAC)	SIRA 05 ATEX 1285X / IECExSIR05.0067X / RUC-DE.IT08.B.00594
Note	Length „L“ varies according to cable diameter used.

Ordering data

Type	Thread	D1 outer cable Ø	D2 inner cable Ø	Cable armour	L/L1	SW	SUHB	Qty.	Order No.
metric, nickel-plated brass									
KDSU M20 BN 0 NI 1 G16	M 20	6.70-10.30	3.40-8.40	0.1-1.25	78 / 16	24	L24	20	1083280000
KDSU M20 BN 0 NI 2 G16	M 20	9.00-13.50	3.40-8.40	0.1-1.25	78 / 16	24	L24	20	1911380000
KDSU M20 BN 0 NI 1 G20S	M 20	9.40-12.50	7.20-11.70	0.1-1.25	78 / 16	24	L24	20	1083290000
KDSU M20 BN 0 NI 2 G20S	M 20	11.50-16.00	7.20-11.70	0.1-1.25	78 / 16	24	L24	20	1911390000
KDSU M20 BN 0 NI 1 G20	M 20	12.00-17.60	9.40-14.00	0.1-1.25	78 / 16	30	EL30	20	1083320000
KDSU M20 BN 0 NI 2 G20	M 20	15.50-21.10	9.40-14.00	0.1-1.25	78 / 16	30	EL30	20	1911400000
KDSU M25 BN 0 NI 1 G25	M 25	16.80-23.90	13.50-20.00	0.1-1.6	90 / 16	38	EL38	20	1083330000
KDSU M25 BN 0 NI 2 G25	M 25	20.30-27.40	13.50-20.00	0.1-1.6	90 / 16	38	EL38	20	1911420000
KDSU M32 BN 0 NI 1 G32	M 32	23.20-30.50	19.50-26.30	0.1-2	105 / 16	46	EL46	10	1083340000
KDSU M32 BN 0 NI 2 G32	M 32	26.70-34.00	19.50-26.30	0.1-2	105 / 16	46	EL46	10	1911430000
KDSU M40 BN 0 NI 1 G40	M 40	28.60-36.20	23.00-32.20	0.1-2	113 / 16	55	EL55	10	1083350000
KDSU M40 BN 0 NI 2 G40	M 40	33.00-40.60	23.00-32.20	0.1-2	113 / 16	55	EL55	1	1911440000
KDSU M50 BN 0 NI 1 G50	M 50	41.10-48.50	33.10-44.10	0.1-2.5	125 / 16	65	EL65	1	1083370000
KDSU M50 BN 0 NI 2 G50	M 50	45.70-53.20	33.10-44.10	0.1-2.5	125 / 16	65	EL65	1	1911460000
KDSU M50 BN 0 NI 1 G50S	M 50	34.80-42.40	28.10-38.20	0.1-2.5	125 / 16	65	EL65	1	1083360000
KDSU M50 BN 0 NI 2 G50S	M 50	39.40-46.70	28.10-38.20	0.1-2.5	125 / 16	65	EL65	1	1911450000
KDSU M63 BN 0 NI 1 G63S	M 63	47.50-54.80	39.20-50.10	0.1-2.5	125 / 19	80	EL80	1	1083380000
KDSU M63 BN 0 NI 2 G63S	M 63	52.10-59.50	39.20-50.10	0.1-2.5	125 / 19	80	EL80	1	1911480000
KDSU M63 BN 0 NI 1 G63	M 50	53.80-61.20	46.70-56.00	0.1-2.5	125 / 16	80	EL80	1	1083390000
KDSU M63 BN 0 NI 2 G63	M 63	58.40-65.80	46.70-56.00	0.1-2.5	125 / 19	80	EL80	1	1911490000
KDSU M75 BN 0 NI 1 G75S	M 75	60.20-68.00	52.10-62.00	0.1-2.5	131 / 19	90	EL90	1	1083400000
KDSU M75 BN 0 NI 2 G75S	M 75	64.80-72.20	52.10-62.00	0.1-2.5	131 / 19	90	EL90	1	1911490000
KDSU M75 BN 0 NI 1 G75	M 75	66.50-73.40	58.00-68.00	0.1-2.5	131 / 19	90	EL90	1	1083420000
KDSU M75 BN 0 NI 2 G75	M 75	71.10-78.00	58.00-68.00	0.1-2.5	131 / 19	90	EL90	1	1083430000

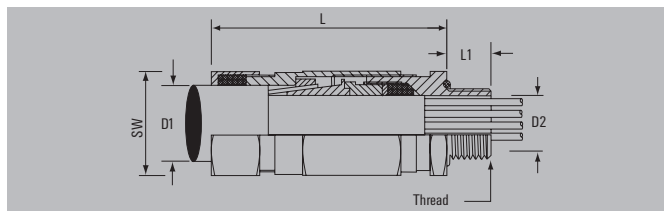
Note

- All cable glands have a thread pitch of 1.5 mm.
- In the case of Ex d applications, the inner threads used for cable glands must meet the requirements of section 5.3 of EN/IEC 60079-1. In the screwed in position, at least 5 threads must be engaged.
- If the cable glands are installed in non-metallic Ex e connection equipment, these must be connected to the protective earth of the system.
- The connection cable must be laid securely and inflexibly to rule out tensile stress.

Klippon® cable glands - Brass - Ex e, Ex d, IP68 for armoured and non-armoured cables



All-purpose cable gland for cables and lines with single-wire armouring, metal-foil armouring and braided armouring. Non-armoured cables and lines can also be connected.



Technical data

Material	Brass
O-Ring / Seal insert	Silicone / Silicone
Temperature range	-60 °C...180 °C
Degree of protection	IP66, IP68 - 2.5 bar
Water depth	25 m (30 Min.)
Type of armouring	Single-wire armouring, Metal foil armouring, Braided armouring
Marking	ATEX: II 2G, Ex d IIC Gb, Ex e IIC Gb; II 1D, Ex ta IIIC Da, IECEx: Ex d IIC Gb; Ex e IIC Gb; Ex ta IIIC Da
Certificate no. (ATEX / IECEx / EAC)	SIRA 05 ATEX 1285X / IECExSIR05.0067X / RUC-DE.IT08.B.00594
Note	

Ordering data

Type	Thread	D1 outer cable Ø	D2 inner cable Ø	Cable armour	L/L1	SW	SUHB	Qty.	Order No.
metric, brass									
KDSU M20 BS 0 SC 1 G16	M 20	6.70-10.30	3.40-8.40	0.1-1.25	78 / 16	24	L24	20	0930001211
KDSU M20 BS 0 SC 2 G16	M 20	9.00-13.50	3.40-8.40	0.1-1.25	78 / 16	24	L24	20	0930001212
KDSU M20 BS 0 SC 1 G20S	M 20	9.40-12.50	7.20-11.70	0.1-1.25	78 / 16	24	L24	20	0930011213
KDSU M20 BS 0 SC 2 G20S	M 20	11.50-16.00	7.20-11.70	0.1-1.25	78 / 16	24	L24	20	0930011214
KDSU M20 BS 0 SC 1 G20	M 20	12.00-17.60	9.40-14.00	0.1-1.25	78 / 16	30	EL30	20	0930021211
KDSU M20 BS 0 SC 2 G20	M 20	15.50-21.10	9.40-14.00	0.1-1.25	78 / 16	30	EL30	20	0930021212
KDSU M25 BS 0 SC 1 G25	M 25	16.80-23.90	13.50-20.00	0.1-1.6	90 / 16	38	EL38	20	0930031211
KDSU M25 BS 0 SC 2 G25	M 25	20.30-27.40	13.50-20.00	0.1-1.6	90 / 16	38	EL38	20	0930031212
KDSU M32 BS 0 SC 1 G32	M 32	23.20-30.50	19.50-26.30	0.1-2	105 / 16	46	EL46	10	0930041211
KDSU M32 BS 0 SC 2 G32	M 32	26.70-34.00	19.50-26.30	0.1-2	105 / 16	46	EL46	10	0930041212
KDSU M40 BS 0 SC 1 G40	M 40	28.60-36.20	23.00-32.20	0.1-2	113 / 16	55	EL55	10	1136870000
KDSU M40 BS 0 SC 2 G40	M 40	33.00-40.60	23.00-32.20	0.1-2	113 / 16	55	EL55	10	0930051212
KDSU M50 BS 0 SC 1 G50S	M 50	34.80-42.40	28.10-38.20	0.1-2.5	125 / 16	65	EL65	1	0930061213
KDSU M50 BS 0 SC 2 G50S	M 50	39.40-46.70	28.10-38.20	0.1-2.5	125 / 16	65	EL65	1	1136880000
KDSU M50 BS 0 SC 1 G50	M 50	41.10-48.50	33.10-44.10	0.1-2.5	125 / 16	65	EL65	1	1136890000
KDSU M50 BS 0 SC 2 G50	M 50	45.70-53.20	33.10-44.10	0.1-2.5	125 / 16	65	EL65	1	1136910000
KDSU M63 BS 0 SC 1 G63S	M 63	47.50-54.80	39.20-50.10	0.1-2.5	125 / 19	80	EL80	1	1136920000
KDSU M63 BS 0 SC 2 G63S	M 63	52.10-59.50	39.20-50.10	0.1-2.5	125 / 19	80	EL80	1	1136930000
KDSU M63 BS 0 SC 1 G63	M 63	53.80-61.20	46.70-56.00	0.1-2.5	125 / 19	80	EL80	1	1136940000
KDSU M63 BS 0 SC 2 G63	M 63	58.40-65.80	46.70-56.00	0.1-2.5	125 / 19	80	EL80	1	1136950000
KDSU M75 BS 0 SC 1 G75	M 75	66.50-73.40	58.00-68.00	0.1-2.5	131 / 19	90	EL90	1	1136980000
KDSU M75 BS 0 SC 1 G75S	M 75	60.20-68.00	52.10-62.00	0.1-2.5	131 / 19	90	EL90	1	1136960000
KDSU M75 BS 0 SC 2 G75S	M 75	64.80-72.20	52.10-62.00	0.1-2.5	131 / 19	90	EL90	1	1136970000

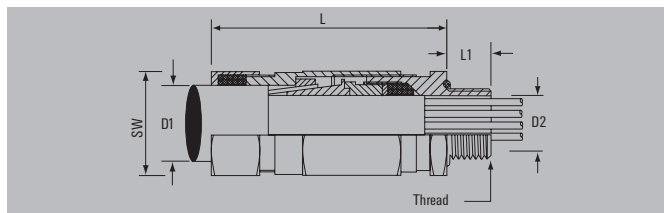
Note

- All cable glands have a thread pitch of 1.5 mm.
- In the case of Ex d applications, the inner threads used for cable glands must meet the requirements of section 5.3 of EN/IEC 60079-1. In the screwed in position, at least 5 threads must be engaged.
- If the cable glands are installed in non-metallic Ex e connection equipment, these must be connected to the protective earth of the system.
- The connection cable must be laid securely and inflexibly to rule out tensile stress.

Klippon® cable glands - nickel-plated brass - Ex e, Ex d, IP68 for armoured and non-armoured cables



All-purpose cable gland for cables and lines with single-wire armouring, metal-foil armouring and braided armouring. Non-armoured cables and lines can also be connected.



Technical data

Material	Brass, nickel-plated
O-Ring / Seal insert	Silicone / Silicone
Temperature range	-60 °C...180 °C
Degree of protection	IP66, IP68 - 2.5 bar
Water depth	25 m (30 Min.)
Type of armouring	Single-wire armouring, Metal foil armouring, Braided armouring
Marking	ATEX: II 2G, Ex d IIC Gb, Ex e IIC Gb; II 1D, Ex ta IIIC Da, IECEx: Ex d IIC Gb; Ex e IIC Gb; Ex ta IIIC Da
Certificate no. (ATEX / IECEx / EAC)	SIRA 05 ATEX 1285X / IECExSIR05.0067X / RUC-DE.IT08.B.00594
Note	

Ordering data

Type	Thread	D1 outer cable Ø	D2 inner cable Ø	Cable armour	L/L1	SW	SUHB	Qty.	Order No.
metric, nickel-plated brass									
KDSU M20 BS 0 NI 1 G16	M 20	6.70-10.30	3.40-8.40	0.1-1.25	78 / 16	24	L24	20	0930001221
KDSU M20 BS 0 NI 2 G16	M 20	9.00-13.50	3.40-8.40	0.1-1.25	78 / 16	24	L24	20	0930001222
KDSU M20 BS 0 NI 1 G20	M 20	12.00-17.60	9.40-14.00	0.1-1.25	78 / 16	30	EL30	20	0930021221
KDSU M20 BS 0 NI 2 G20	M 20	15.50-21.10	9.40-14.00	0.1-1.25	78 / 16	30	EL30	20	0930021222
KDSU M20 BS 0 NI 1 G20S	M 20	9.40-12.50	7.20-11.70	0.1-1.25	78 / 16	24	L24	20	0930011223
KDSU M20 BS 0 NI 2 G20S	M 20	11.50-16.00	7.20-11.70	0.1-1.25	78 / 16	24	L24	20	0930011224
KDSU M25 BS 0 NI 1 G25	M 25	16.80-23.90	13.50-20.00	0.1-1.6	90 / 16	38	EL38	20	0930031221
KDSU M25 BS 0 NI 2 G25	M 25	20.30-27.40	13.50-20.00	0.1-1.6	90 / 16	38	EL38	1	0930031222
KDSU M32 BS 0 NI 1 G32	M 32	23.20-30.50	19.50-26.30	0.1-2	105 / 16	46	EL46	10	0930041221
KDSU M32 BS 0 NI 2 G32	M 32	26.70-34.00	19.50-26.30	0.1-2	105 / 16	46	EL46	10	0930041222
KDSU M40 BS 0 NI 1 G40	M 40	28.60-36.20	23.00-32.20	0.1-2	113 / 16	55	EL55	10	1136990000
KDSU M40 BS 0 NI 2 G40	M 40	33.00-40.60	23.00-32.20	0.1-2	113 / 16	55	EL55	10	0930051222
KDSU M50 BS 0 NI 1 G50	M 50	41.10-48.50	33.10-44.10	0.1-2.5	125 / 16	65	EL65	1	1137010000
KDSU M50 BS 0 NI 2 G50	M 50	45.70-53.20	33.10-44.10	0.1-2.5	125 / 16	65	EL65	1	1137020000
KDSU M50 BS 0 NI 1 G50S	M 50	34.80-42.40	28.10-38.20	0.1-2.5	125 / 16	65	EL65	1	1137000000
KDSU M50 BS 0 NI 2 G50S	M 50	39.40-46.70	28.10-38.20	0.1-2.5	125 / 16	65	EL65	1	0930061224
KDSU M63 BS 0 NI 1 G63	M 63	53.80-61.20	46.70-56.00	0.1-2.5	125 / 19	80	EL80	1	1137050000
KDSU M63 BS 0 NI 2 G63	M 63	58.40-65.80	46.70-56.00	0.1-2.5	125 / 19	80	EL80	1	0930091222
KDSU M63 BS 0 NI 1 G63S	M 63	47.50-54.80	39.20-50.10	0.1-2.5	125 / 19	80	EL80	1	1137030000
KDSU M63 BS 0 NI 2 G63S	M 63	52.10-59.50	39.20-50.10	0.1-2.5	125 / 19	80	EL80	1	1137040000
KDSU M75 BS 0 NI 1 G75	M 75	66.50-73.40	58.00-68.00	0.1-2.5	131 / 19	90	EL90	1	1137080000
KDSU M75 BS 0 NI 2 G75	M 75	71.10-78.00	58.00-68.00	0.1-2.5	131 / 19	90	EL90	1	1137090000
KDSU M75 BS 0 NI 1 G75S	M 75	60.20-68.00	52.10-62.00	0.1-2.5	131 / 19	90	EL90	1	1137060000
KDSU M75 BS 0 NI 2 G75S	M 75	64.80-72.20	52.10-62.00	0.1-2.5	131 / 19	90	EL90	1	1137070000

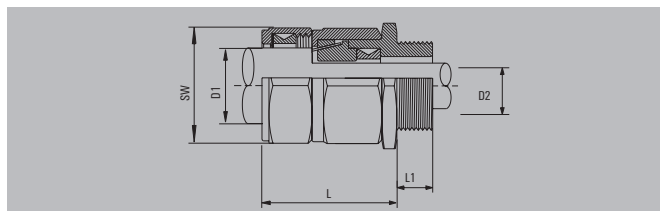
Note

- All cable glands have a thread pitch of 1.5 mm.
- In the case of Ex d applications, the inner threads used for cable glands must meet the requirements of section 5.3 of EN/IEC 60079-1. In the screwed in position, at least 5 threads must be engaged.
- If the cable glands are installed in non-metallic Ex e connection equipment, these must be connected to the protective earth of the system.
- The connection cable must be laid securely and inflexibly to rule out tensile stress.

Klippon® cable glands - Brass - Ex e, Ex d, IP66 / IP68 for armoured cables



Cable gland for cables and lines with single-wire armouring.



Technical data

Material	Brass
Seal insert	CR
Temperature range	-20 °C...85 °C
Protection class	IP54
Protection degree with GWDR	IP66, IP68 - 2.5 bar
Water depth	25 m (30 Min.)
Type of armouring	Single-wire armouring
Marking	ATEX: II 2G, Ex d IIC Gb, Ex e IIC Gb; II 1D, Ex ta IIIC Da, IECEx: Ex d IIC Gb; Ex e IIC Gb; Ex ta IIIC Da
Certificate no. (ATEX / IECEx / EAC)	SIRA 05 ATEX 1286X / IECExSIR05.0067X / RUC-DE.IT08.B.00594
Note	IP protection without GWDR is IP54. To achieve IP66 / IP68 protection, a nylon GWDR must be ordered separately.

Ordering data

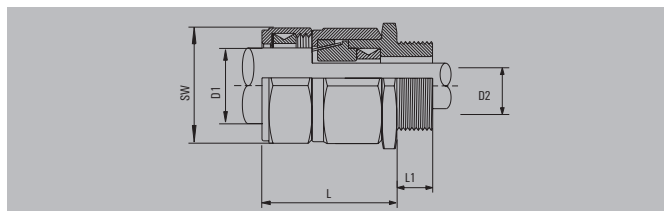
Type	Thread	D1 outer cable Ø	D2 inner cable Ø	Cable armour	L/L1	SW	SUHB	Qty.	Order No.
metric, brass									
KDSW M20 BN 0 SC 1 G16	M 20	4.90-10.30	3.50-8.40	0.9	58 / 16	24	L24	20	1074480000
KDSW M20BN 0 SC 2 G16	M 20	8.40-13.50	3.50-8.40	0.9	58 / 16	24	L24	20	1074490000
KDSW M20 BN 0 SC 1 G20S	M 20	9.40-12.50	8.00-11.70	0.9-1.25	58 / 16	30	L24	20	1074500000
KDSW M20 BN 0 SC 2 G20S	M 20	11.50-16.00	8.00-11.70	0.9-1.25	58 / 16	30	L24	20	1074510000
KDSW M20 BN 0 SC 1 G20	M 20	12.00-17.60	6.70-14.00	0.9-1.25	58 / 16	24	L30	20	1074520000
KDSW M20 BN 0 SC 2 G20	M 20	15.50-21.10	6.70-14.00	0.9-1.25	58 / 16	30	L30	20	1074530000
KDSW M25 BN 0 SC 1 G25	M 25	16.80-23.90	13.00-20.00	1.25-1.6	58 / 16	38	L38	20	1074540000
KDSW M25 BN 0 SC 2 G25	M 25	20.30-27.40	13.00-20.00	1.25-1.6	58 / 16	38	L38	20	1074550000
KDSW M32 BN 0 SC 1 G32	M 32	23.20-30.50	19.00-26.30	1.6-2	65 / 16	46	L46	10	1074570000
KDSW M32 BN 0 SC 2 G32	M 32	26.70-34.00	19.00-26.30	1.6-2	65 / 16	46	L46	10	1074580000
KDSW M40 BN 0 SC 1 G40	M 40	28.60-36.20	25.00-32.20	1.6-2	72 / 16	55	L55	10	1074590000
KDSW M40 BN 0 SC 2 G40	M 40	33.00-40.60	25.00-32.20	1.6-2	72 / 16	55	L55	10	1074610000
KDSW M50 BN 0 SC 1 G50S	M 50	34.80-42.40	31.50-38.20	2-2.5	73 / 16	65	L65	1	1074620000
KDSW M50 BN 0 SC 2 G50S	M 50	39.40-46.70	31.50-38.20	2-2.5	73 / 16	65	L65	1	1074630000
KDSW M50 BN 0 SC 1 G50	M 50	41.10-48.50	36.50-44.10	2-2.5	73 / 16	65	L65	1	1074640000
KDSW M50 BN 0 SC 2 G50	M 50	45.70-53.20	36.50-44.10	2-2.5	73 / 16	65	L65	1	1074650000
KDSW M63 BN 0 SC 1 G63S	M 63	47.50-54.80	42.50-50.10	2.5	76 / 19	80	L80	1	1074670000
KDSW M63 BN 0 SC 2 G63S	M 63	52.10-59.50	42.50-50.10	2.5	76 / 19	80	L80	1	1074710000
KDSW M63 BN 0 SC 1 G63	M 63	53.80-61.20	49.50-56.00	2.5	76 / 19	80	L80	1	1074730000
KDSW M63 BN 0 SC 2 G63	M 63	58.40-65.80	49.50-56.00	2.5	76 / 19	80	L80	1	1074750000
KDSW M75 BN 0 SC 1 G75S	M 75	60.20-68.00	54.50-62.00	2.5	82 / 19	90	L90	1	1074770000
KDSW M75 BN 0 SC 2 G75S	M 75	64.80-72.20	54.50-62.00	2.5	82 / 19	90	L90	1	1074790000
KDSW M75 BN 0 SC 1 G75	M 75	66.50-73.40	60.50-68.00	2.5	82 / 19	90	L90	1	1074820000
KDSW M75 BN 0 SC 2 G75	M 75	71.10-78.00	60.50-68.00	2.5	82 / 19	90	L90	1	1074840000

Note	<ul style="list-style-type: none"> All cable glands have a thread pitch of 1.5 mm. In the case of Ex d applications, the inner threads used for cable glands must meet the requirements of section 5.3 of EN/IEC 60079-1. In the screwed in position, at least 5 threads must be engaged. If the cable glands are installed in non-metallic Ex e connection equipment, these must be connected to the protective earth of the system. The connection cable must be laid securely and inflexibly to rule out tensile stress.
-------------	---

Klippon® cable glands - nickel-plated brass - Ex e, Ex d, IP66 / IP68 for armoured cables



Cable gland for cables and lines with single-wire armouring.



Technical data

Material	Brass, nickel-plated
Seal insert	CR
Temperature range	-20 °C...85 °C
Protection class	IP54
Protection degree with GWDR	IP66, IP68 - 2.5 bar
Water depth	25 m (30 Min.)
Type of armouring	Single-wire armouring
Marking	ATEX: II 2G, Ex d IIC Gb, Ex e IIC Gb; II 1D, Ex ta IIIC Da, IECEx: Ex d IIC Gb; Ex e IIC Gb; Ex ta IIIC Da
Certificate no. (ATEX / IECEx / EAC)	SIRA 05 ATEX 1286X / IECExSIR05.0067X / RUC-DE.IT08.B.00594
Note	IP protection without GWDR is IP54. To achieve IP66 / IP68 protection, a nylon GWDR must be ordered separately.

Ordering data

Type	Thread	D1 outer cable Ø	D2 inner cable Ø	Cable armour	L/L1	SW	SUHB	Qty.	Order No.
metric, nickel-plated brass									
KDSW M20 BN 0 NI 1 G16	M 20	4.90-10.30	3.50-8.40	0.9	58 / 16	24	L24	20	1075030000
KDSW M20 BN 0 NI 2 G16	M 20	8.40-13.50	3.50-8.40	0.9	58 / 16	24	L24	20	1075040000
KDSW M20 BN 0 NI 1 G20	M 20	12.00-17.60	6.70-14.00	0.9-1.25	58 / 16	30	L30	20	1075070000
KDSW M20 BN 0 NI 2 G20	M 20	15.50-21.10	6.70-14.00	0.9-1.25	58 / 16	24	L30	20	1075080000
KDSW M20 BN 0 NI 1 G20S	M 20	9.40-12.50	8.00-11.70	0.9-1.25	58 / 16	30	L24	20	1075050000
KDSW M20 BN 0 NI 2 G20S	M 20	11.50-16.00	8.00-11.70	0.9-1.25	58 / 16	24	L24	20	1075060000
KDSW M25 BN 0 NI 1 G25	M 25	16.80-23.90	13.00-20.00	1.25-1.6	58 / 16	38	L38	20	1075090000
KDSW M25 BN 0 NI 2 G25	M 25	20.30-27.40	13.00-20.00	1.25-1.6	58 / 16	38	L38	20	1075110000
KDSW M32 BN 0 NI 1 G32	M 32	23.20-30.50	19.00-26.30	1.6-2	65 / 16	46	L46	10	1075120000
KDSW M32 BN 0 NI 2 G32	M 32	26.70-34.00	19.00-26.30	1.6-2	65 / 16	46	L46	10	1075130000
KDSW M40 BN 0 NI 1 G40	M 40	28.60-36.20	25.00-32.20	1.6-2	72 / 16	55	L55	10	1075140000
KDSW M40 BN 0 NI 2 G40	M 40	33.00-40.60	25.00-32.20	1.6-2	72 / 16	55	L55	10	1075150000
KDSW M50 BN 0 NI 1 G50	M 50	41.10-48.50	36.50-44.10	2-2.5	73 / 16	65	L65	1	1075180000
KDSW M50 BN 0 NI 2 G50	M 50	45.70-53.20	36.50-44.10	2-2.5	73 / 16	65	L65	1	1075190000
KDSW M50 BN 0 NI 1 G50S	M 50	34.80-42.40	31.50-38.20	2-2.5	73 / 16	65	L65	1	1075160000
KDSW M50 BN 0 NI 2 G50S	M 50	39.40-46.70	31.50-38.20	2-2.5	73 / 16	65	L65	1	1075170000
KDSW M63 BN 0 NI 1 G63	M 63	53.80-61.20	49.50-56.00	2.5	76 / 19	80	L80	1	1075230000
KDSW M63 BN 0 NI 2 G63	M 63	58.40-65.80	49.50-56.00	2.5	76 / 19	80	L80	1	1075240000
KDSW M63 BN 0 NI 1 G63S	M 63	47.50-54.80	42.50-50.10	2.5	76 / 19	80	L80	1	1075210000
KDSW M63 BN 0 NI 2 G63S	M 63	52.10-59.50	42.50-50.10	2.5	76 / 19	80	L80	1	1075220000
KDSW M75 BN 0 NI 1 G75	M 75	66.50-73.40	60.50-68.00	2.5	82 / 19	90	L90	1	1075270000
KDSW M75 BN 0 NI 2 G75	M 75	71.10-78.00	60.50-68.00	2.5	82 / 19	90	L90	1	1075280000
KDSW M75 BN 0 NI 1 G75S	M 75	60.20-68.00	54.50-62.00	2.5	82 / 19	90	L90	1	1075250000
KDSW M75 BN 0 NI 2 G75S	M 75	64.80-72.20	54.50-62.00	2.5	82 / 19	90	L90	1	1075260000
Note	<ul style="list-style-type: none"> All cable glands have a thread pitch of 1.5 mm. In the case of Ex d applications, the inner threads used for cable glands must meet the requirements of section 5.3 of EN/IEC 60079-1. In the screwed in position, at least 5 threads must be engaged. If the cable glands are installed in non-metallic Ex e connection equipment, these must be connected to the protective earth of the system. The connection cable must be laid securely and inflexibly to rule out tensile stress. 								

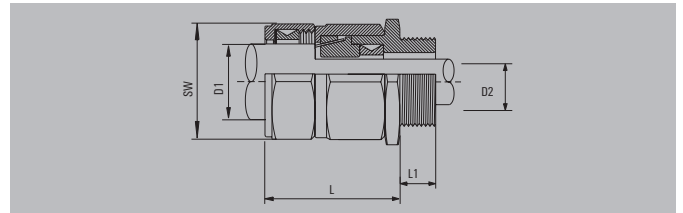
Cable entries

D

Klippon® cable glands - Brass - Ex e, Ex d, IP66 / IP68 for armoured cables



Cable gland for cables and lines with single-wire armouring.



Technical data

Material	Brass
Seal insert	Silicone
Temperature range	-60 °C...180 °C
Protection class	IP54
Protection degree with GWDR	IP66, IP68 - 2.5 bar
Water depth	25 m (30 Min.)
Type of armouring	Single-wire armouring
Marking	ATEX: II 2G, Ex d IIC Gb, Ex e IIC Gb; II 1D, Ex ta IIIC Da, IECEx: Ex d IIC Gb; Ex e IIC Gb; Ex ta IIIC Da
Certificate no. (ATEX / IECEx / EAC)	SIRA 05 ATEX 1286X / IECExSIR05.0067X / RUC-DE.IT08.B.00594
Note	IP protection without GWDR is IP54. To achieve IP66 / IP68 protection, a nylon GWDR must be ordered separately.

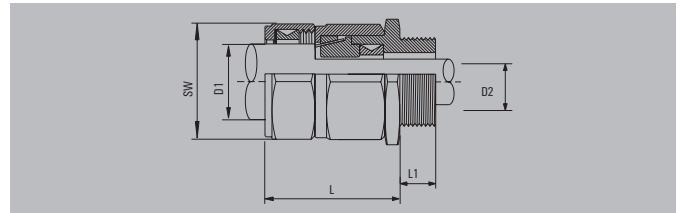
Ordering data

Type	Thread	D1 outer cable Ø	D2 inner cable Ø	Cable armour	L/L1	SW	SUHB	Qty.	Order No.
metric, brass									
KDSW M20 BS 0 SC 1 G16	M 20	4.90-10.30	3.50-8.40	0.9	58 / 16	24	L24	20	1136160000
KDSW M20 BS 0 SC 2 G16	M 20	8.40-13.50	3.50-8.40	0.9	58 / 16	24	L24	20	1136170000
KDSW M20 BS 0 SC 1 G20S	M 20	9.40-12.50	8.00-11.70	0.9-1.25	58 / 16	24	L24	20	1136180000
KDSW M20 BS 0 SC 2 G20S	M 20	11.50-16.00	8.00-11.70	0.9-1.25	58 / 16	24	L24	20	1136190000
KDSW M20 BS 0 SC 1 G20	M 20	12.00-17.60	6.70-14.00	0.9-1.25	58 / 16	30	L30	20	1136200000
KDSW M20 BS 0 SC 2 G20	M 20	15.50-21.10	6.70-14.00	0.9-1.25	58 / 16	30	L30	20	1136210000
KDSW M25 BS 0 SC 1 G25	M 25	16.80-23.90	13.00-20.00	1.25-1.6	58 / 16	38	L38	20	1136220000
KDSW M25 BS 0 SC 2 G25	M 25	20.30-27.40	13.00-20.00	1.25-1.6	58 / 16	38	L38	20	1136230000
KDSW M32 BS 0 SC 1 G32	M 32	23.20-30.50	19.00-26.30	1.6-2	65 / 16	46	L46	10	1136240000
KDSW M32 BS 0 SC 2 G32	M 32	26.70-34.00	19.00-26.30	1.6-2	65 / 16	46	L46	10	1136250000
KDSW M40 BS 0 SC 1 G40	M 40	28.60-36.20	25.00-32.20	1.6-2	72 / 16	55	L55	10	1136260000
KDSW M40 BS 0 SC 2 G40	M 40	33.00-40.60	25.00-32.20	1.6-2	72 / 16	55	L55	10	1136270000
KDSW M50 BS 0 SC 1 G50S	M 50	34.80-42.40	31.50-38.20	2-2.5	73 / 16	65	L65	1	1136280000
KDSW M50 BS 0 SC 2 G50S	M 50	39.40-46.70	31.50-38.20	2-2.5	73 / 16	65	L65	1	1136290000
KDSW M50 BS 0 SC 1 G50	M 50	41.10-48.50	36.50-44.10	2-2.5	73 / 16	65	L65	1	1136310000
KDSW M50 BS 0 SC 2 G50	M 50	45.70-53.20	36.50-44.10	2-2.5	73 / 16	65	L65	1	1136320000
KDSW M63 BS 0 SC 1 G63S	M 63	47.50-54.80	42.50-50.10	2.5	76 / 19	80	L80	1	1136330000
KDSW M63 BS 0 SC 2 G63S	M 63	52.10-59.50	42.50-50.10	2.5	76 / 19	80	L80	1	1136340000
KDSW M63 BS 0 SC 1 G63	M 63	53.80-61.20	49.50-56.00	2.5	76 / 19	80	L80	1	1136350000
KDSW M63 BS 0 SC 2 G63	M 63	58.40-65.80	49.50-56.00	2.5	76 / 19	80	L80	1	1136360000
KDSW M75 BS 0 SC 1 G75S	M 75	60.20-68.00	54.50-62.00	2.5	82 / 19	90	L90	1	1136370000
KDSW M75 BS 0 SC 2 G75S	M 75	64.80-72.20	54.50-62.00	2.5	82 / 19	90	L90	1	1136380000
KDSW M75 BS 0 SC 1 G75	M 75	66.50-73.40	60.50-68.00	2.5	82 / 19	90	L90	1	1136390000
KDSW M75 BS 0 SC 2 G75	M 75	71.10-78.00	60.50-68.00	2.5	82 / 19	90	L90	1	1136400000
Note	<ul style="list-style-type: none"> All cable glands have a thread pitch of 1.5 mm. In the case of Ex d applications, the inner threads used for cable glands must meet the requirements of section 5.3 of EN/IEC 60079-1. In the screwed in position, at least 5 threads must be engaged. If the cable glands are installed in non-metallic Ex e connection equipment, these must be connected to the protective earth of the system. The connection cable must be laid securely and inflexibly to rule out tensile stress. 								

Klippon® cable glands - nickel-plated brass - Ex e, Ex d, IP66 / IP68 for armoured cables



Cable gland for cables and lines with single-wire armouring.



Technical data

Material	Brass, nickel-plated
Seal insert	Silicone
Temperature range	-60 °C...180 °C
Protection class	IP54
Protection degree with GWDR	IP66, IP68 - 2.5 bar
Water depth	25 m (30 Min.)
Type of armouring	Single-wire armouring
Marking	ATEX: II 2G, Ex d IIC Gb, Ex e IIC Gb; II 1D, Ex ta IIIC Da, IECEx: Ex d IIC Gb; Ex e IIC Gb; Ex ta IIIC Da
Certificate no. (ATEX / IECEx / EAC)	SIRA 05 ATEX 1286X / IECExSIR05.0067X / RUC-DE.IT08.B.00594
Note	IP protection without GWDR is IP54. To achieve IP66 / IP68 protection, a nylon GWDR must be ordered separately.

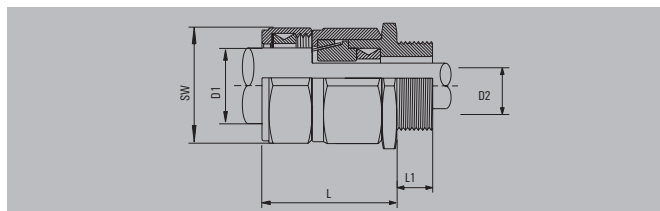
Ordering data

Type	Thread	D1 outer cable Ø	D2 inner cable Ø	Cable armour	L/L1	SW	SUHB	Qty.	Order No.
metric, nickel-plated brass									
KDSW M20 BS 0 NI 1 G16	M 20	4.90-10.30	3.50-8.40	0.9	58 / 16	24	L24	20	1136410000
KDSW M20 BS 0 NI 2 G16	M 20	8.40-13.50	3.50-8.40	0.9	58 / 16	24	L24	20	1136420000
KDSW M20 BS 0 NI 1 G20	M 20	12.00-17.60	6.70-14.00	0.9-1.25	58 / 16	30	L30	20	1136450000
KDSW M20 BS 0 NI 2 G20	M 20	15.50-21.10	6.70-14.00	0.9-1.25	58 / 16	24	L30	20	1136460000
KDSW M20 BS 0 NI 1 G20S	M 20	9.40-12.50	8.00-11.70	0.9-1.25	58 / 16	30	L24	20	1136430000
KDSW M20 BS 0 NI 2 G20S	M 20	11.50-16.00	8.00-11.70	0.9-1.25	58 / 16	24	L24	20	1136440000
KDSW M25 BS 0 NI 1 G25	M 25	16.80-23.90	13.00-20.00	1.25-1.6	58 / 16	38	L38	20	1136470000
KDSW M25 BS 0 NI 2 G25	M 25	20.30-27.40	13.00-20.00	1.25-1.6	58 / 16	38	L38	20	1136480000
KDSW M32 BS 0 NI 1 G32	M 32	23.20-30.50	19.00-26.30	1.6-2	65 / 16	46	L46	10	1136490000
KDSW M32 BS 0 NI 2 G32	M 32	26.70-34.00	19.00-26.30	1.6-2	65 / 16	46	L46	10	1136510000
KDSW M40 BS 0 NI 1 G40	M 40	28.60-36.20	25.00-32.20	1.6-2	72 / 16	55	L55	10	1136520000
KDSW M40 BS 0 NI 2 G40	M 40	33.00-40.60	25.00-32.20	1.6-2	72 / 16	55	L55	10	1136530000
KDSW M50 BS 0 NI 1 G50	M 50	41.10-48.50	36.50-44.10	2.2-2.5	73 / 16	65	L65	1	1136560000
KDSW M50 BS 0 NI 2 G50	M 50	45.70-53.20	36.50-44.10	2.2-2.5	73 / 16	65	L65	1	1136570000
KDSW M50 BS 0 NI 1 G50S	M 50	34.80-42.40	31.50-38.20	2.2-2.5	73 / 16	65	L65	1	1136540000
KDSW M50 BS 0 NI 2 G50S	M 50	39.40-46.70	31.50-38.20	2.2-2.5	73 / 16	65	L65	1	1136550000
KDSW M63 BS 0 NI 1 G63	M 63	53.80-61.20	49.50-56.00	2.5	76 / 19	80	L80	1	1136600000
KDSW M63 BS 0 NI 2 G63	M 63	58.40-65.80	49.50-56.00	2.5	76 / 19	80	L80	1	1136610000
KDSW M63 BS 0 NI 1 G63S	M 63	47.50-54.80	42.50-50.10	2.5	76 / 19	80	L80	1	1136580000
KDSW M63 BS 0 NI 2 G63S	M 63	52.10-59.50	42.50-50.10	2.5	76 / 19	80	L80	1	1136590000
KDSW M75 BS 0 NI 1 G75	M 75	66.50-73.40	60.50-68.00	2.5	82 / 19	90	L90	1	1136640000
KDSW M75 BS 0 NI 2 G75	M 75	71.10-78.00	60.50-68.00	2.5	82 / 19	90	L90	1	1136650000
KDSW M75 BS 0 NI 1 G75S	M 75	60.20-68.00	54.50-62.00	2.5	82 / 19	90	L90	1	1136620000
KDSW M75 BS 0 NI 2 G75S	M 75	64.80-72.20	54.50-62.00	2.5	82 / 19	90	L90	1	1136630000
Note	<ul style="list-style-type: none"> All cable glands have a thread pitch of 1.5 mm. In the case of Ex d applications, the inner threads used for cable glands must meet the requirements of section 5.3 of EN/IEC 60079-1. In the screwed in position, at least 5 threads must be engaged. If the cable glands are installed in non-metallic Ex e connection equipment, these must be connected to the protective earth of the system. The connection cable must be laid securely and inflexibly to rule out tensile stress. 								

Klippon® cable glands - Brass - Ex e, Ex d, IP66 / IP68 for armoured cables



Cable gland for cables and lines with single-wire armouring and lead-sheath armouring.



D Technical data

Material	Brass
Seal insert	CR
Temperature range	-20 °C...85 °C
Protection class	IP54
Protection degree with GWDR	IP66, IP68 - 2.5 bar
Water depth	25 m (30 Min.)
Type of armouring	Single-wire armouring, Lead sheath armouring
Marking	ATEX: II 2G, Ex d IIC Gb, Ex e IIC Gb; II 1D, Ex ta IIIC Da, IECEx: Ex d IIC Gb; Ex e IIC Gb; Ex ta IIIC Da
Certificate no. (ATEX / IECEx / EAC)	SIRA 05 ATEX 1286X / IECExSIR05.0067X / RUC-DE.IT08.B.00594
Note	IP protection without GWDR is IP54. To achieve IP66 / IP68 protection, a nylon GWDR must be ordered separately.

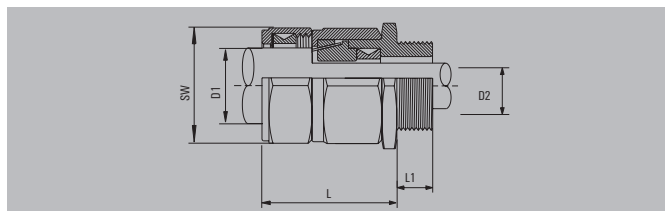
Ordering data

Type	Thread	D1 outer cable Ø	D2 inner cable Ø	Cable armour	L/L1	SW	SUHB	Qty.	Order No.
metric, brass									
KDSW M20 BN L SC 1 G16	M 20	4.90-10.30	3.50-8.40	0.9	58 / 16	24	L24	20	1076250000
KDSW M20 BN L SC 2 G16	M 20	8.40-13.50	3.50-8.40	0.9	58 / 16	24	L24	20	1076270000
KDSW M20 BN L SC 1 G20S	M 20	9.40-12.50	8.00-11.70	0.9-1.25	58 / 16	24	L24	20	1076280000
KDSW M20 BN L SC 2 G20S	M 20	11.50-16.00	8.00-11.70	0.9-1.25	58 / 16	24	L24	20	1076290000
KDSW M20 BN L SC 1 G20	M 20	12.00-17.60	6.70-14.00	0.9-1.25	58 / 16	30	L30	20	1076300000
KDSW M20 BN L SC 2 G20	M 20	15.50-21.10	6.70-14.00	0.9-1.25	58 / 16	30	L30	20	1076310000
KDSW M25 BN L SC 1 G25	M 25	16.80-23.90	13.00-20.00	1.25-1.6	58 / 16	38	L38	20	1076320000
KDSW M25 BN L SC 2 G25	M 25	20.30-27.40	13.00-20.00	1.25-1.6	58 / 16	38	L38	20	1076330000
KDSW M32 BN L SC 1 G32	M 32	23.20-30.50	19.00-26.30	1.6-2	65 / 16	46	L46	10	1076340000
KDSW M32 BN L SC 2 G32	M 32	26.70-34.00	19.00-26.30	1.6-2	65 / 16	46	L46	10	1076350000
KDSW M40 BN L SC 1 G40	M 40	28.60-36.20	25.00-32.20	1.6-2	72 / 16	55	L55	10	1076360000
KDSW M40 BN L SC 2 G40	M 40	33.00-40.60	25.00-32.20	1.6-2	72 / 16	55	L55	10	1076370000
KDSW M50 BN L SC 1 G50S	M 50	34.80-42.40	31.50-38.20	2-2.5	73 / 16	65	L65	1	1076380000
KDSW M50 BN L SC 2 G50S	M 50	39.40-46.70	31.50-38.20	2-2.5	73 / 16	65	L65	1	1076390000
KDSW M50 BN L SC 1 G50	M 50	41.10-48.50	36.50-44.10	2-2.5	73 / 16	65	L65	1	1076400000
KDSW M50 BN L SC 2 G50	M 50	45.70-53.20	36.50-44.10	2-2.5	73 / 16	65	L65	1	1076410000
KDSW M63 BN L SC 1 G63S	M 63	47.50-54.80	42.50-50.10	2.5	76 / 19	80	L80	1	1076420000
KDSW M63 BN L SC 2 G63S	M 63	52.10-59.50	42.50-50.10	2.5	76 / 19	80	L80	1	1076430000
KDSW M63 BN L SC 1 G63	M 63	53.80-61.20	49.50-56.00	2.5	76 / 19	80	L80	1	1076440000
KDSW M63 BN L SC 2 G63	M 63	58.40-65.80	49.50-56.00	2.5	76 / 19	80	L80	1	1076450000
KDSW M75 BN L SC 1 G75S	M 75	60.20-68.00	54.50-62.00	2.5	82 / 19	90	L90	1	1076460000
KDSW M75 BN L SC 2 G75S	M 75	64.80-72.20	54.50-62.00	2.5	82 / 19	90	L90	1	1076470000
KDSW M75 BN L SC 1 G75	M 75	66.50-73.40	60.50-68.00	2.5	82 / 19	90	L90	1	1076480000
KDSW M75 BN L SC 2 G75	M 75	71.10-78.00	60.50-68.00	2.5	82 / 19	90	L90	1	1076490000
Note	<ul style="list-style-type: none"> All cable glands have a thread pitch of 1.5 mm. In the case of Ex d applications, the inner threads used for cable glands must meet the requirements of section 5.3 of EN/IEC 60079-1. In the screwed in position, at least 5 threads must be engaged. If the cable glands are installed in non-metallic Ex e connection equipment, these must be connected to the protective earth of the system. The connection cable must be laid securely and inflexibly to rule out tensile stress. 								

Klippon® cable glands - nickel-plated brass - Ex e, Ex d, IP66 / IP68 for armoured cables



Cable gland for cables and lines with single-wire armouring and lead-sheath armouring.



Technical data

Material	Brass, nickel-plated
Seal insert	CR
Temperature range	-20 °C...85 °C
Protection class	IP54
Protection degree with GWDR	IP66, IP68 - 2.5 bar
Water depth	25 m (30 Min.)
Type of armouring	Single-wire armouring, Lead sheath armouring
Marking	ATEX: II 2G, Ex d IIC Gb, Ex e IIC Gb; II 1D, Ex ta IIIC Da, IECEx: Ex d IIC Gb; Ex e IIC Gb; Ex ta IIIC Da
Certificate no. (ATEX / IECEx / EAC)	SIRA 05 ATEX 1286X / IECExSIR05.0067X / RUC-DE.IT08.B.00594
Note	IP protection without GWDR is IP54. To achieve IP66 / IP68 protection, a nylon GWDR must be ordered separately.

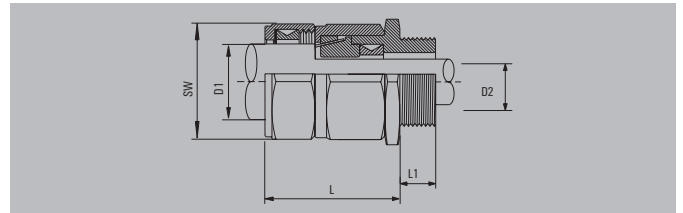
Ordering data

Type	Thread	D1 outer cable Ø	D2 inner cable Ø	Cable armour	L/L1	SW	SUHB	Qty.	Order No.
metric, nickel-plated brass									
KDSW M20 BN L NI 1 G16	M 20	4.90-10.30	3.50-8.40	0.9	58 / 16	24	L24	20	1074660000
KDSW M20 BN L NI 2 G16	M 20	8.40-13.50	3.50-8.40	0.9	58 / 16	24	L24	20	1074690000
KDSW M20 BN L NI 1 G20	M 20	12.00-17.60	6.70-14.00	0.9-1.25	58 / 16	30	L30	20	1074760000
KDSW M20 BN L NI 2 G20	M 20	15.50-21.10	6.70-14.00	0.9-1.25	58 / 16	30	L30	20	1074780000
KDSW M20 BN L NI 1 G20S	M 20	9.40-12.50	8.00-11.70	0.9-1.25	58 / 16	24	L24	20	1074720000
KDSW M20 BN L NI 2 G20S	M 20	11.50-16.00	8.00-11.70	0.9-1.25	58 / 16	24	L24	20	1074740000
KDSW M25 BN L NI 1 G25	M 25	16.80-23.90	13.00-20.00	1.25-1.6	58 / 16	38	L38	20	1074810000
KDSW M25 BN L NI 2 G25	M 25	20.30-27.40	13.00-20.00	1.25-1.6	58 / 16	38	L38	20	1074830000
KDSW M32 BN L NI 1 G32	M 32	23.20-30.50	19.00-26.30	1.6-2	65 / 16	46	L46	10	1074850000
KDSW M32 BN L NI 2 G32	M 32	26.70-34.00	19.00-26.30	1.6-2	65 / 16	46	L46	10	1074860000
KDSW M40 BN L NI 1 G40	M 40	28.60-36.20	25.00-32.20	1.6-2	72 / 16	55	L55	10	1074870000
KDSW M40 BN L NI 2 G40	M 40	33.00-40.60	25.00-32.20	1.6-2	72 / 16	55	L55	10	1074880000
KDSW M50 BN L NI 1 G50	M 50	41.40-48.50	36.50-44.10	2-2.5	73 / 16	65	L65	1	1074920000
KDSW M50 BN L NI 2 G50	M 50	45.70-53.20	36.50-44.10	2-2.5	73 / 16	65	L65	1	1074930000
KDSW M50 BN L NI 1 G50S	M 50	34.80-42.40	31.50-38.20	2-2.5	73 / 16	65	L65	1	1074890000
KDSW M50 BN L NI 2 G50S	M 50	39.40-46.70	31.50-38.20	2-2.5	73 / 16	65	L65	1	1074910000
KDSW M63 BN L NI 1 G63	M 63	53.80-61.20	49.50-56.00	2.5	76 / 19	80	L80	1	1074960000
KDSW M63 BN L NI 2 G63	M 63	58.40-65.80	49.50-56.00	2.5	76 / 19	80	L80	1	1074970000
KDSW M63 BN L NI 1 G63S	M 63	47.50-54.80	42.50-50.10	2.5	76 / 19	80	L80	1	1074940000
KDSW M63 BN L NI 2 G63S	M 63	52.10-59.50	42.50-50.10	2.5	76 / 19	80	L80	1	1074950000
KDSW M75 BN L NI 1 G75	M 75	66.50-73.40	60.50-68.00	2.5	82 / 19	90	L90	1	1075010000
KDSW M75 BN L NI 2 G75	M 75	71.10-78.00	60.50-68.00	2.5	82 / 19	90	L90	1	1075020000
KDSW M75 BN L NI 1 G75S	M 75	60.20-68.00	54.50-62.00	2.5	82 / 19	90	L90	1	1074980000
KDSW M75 BN L NI 2 G75S	M 75	64.80-72.20	54.50-62.00	2.5	82 / 19	90	L90	1	1074990000
Note	<ul style="list-style-type: none"> All cable glands have a thread pitch of 1.5 mm. In the case of Ex d applications, the inner threads used for cable glands must meet the requirements of section 5.3 of EN/IEC 60079-1. In the screwed in position, at least 5 threads must be engaged. If the cable glands are installed in non-metallic Ex e connection equipment, these must be connected to the protective earth of the system. The connection cable must be laid securely and inflexibly to rule out tensile stress. 								

Klippon® cable glands - Brass - Ex e, Ex d, IP66 / IP68 for armoured cables



Cable gland for cables and lines with braided armouring.



Technical data

Material	Brass
Seal insert	Silicone
Temperature range	-60 °C...180 °C
Protection class	IP54
Protection degree with GWDR	IP66, IP68 - 2.5 bar
Water depth	25 m (30 Min.)
Type of armouring	Braided armouring
Marking	ATEX: II 2G, Ex d IIC Gb, Ex e IIC Gb; II 1D, Ex ta IIIC Da, IECEx: Ex d IIC Gb; Ex e IIC Gb; Ex ta IIIC Da
Certificate no. (ATEX / IECEx / EAC)	SIRA 05 ATEX 1286X / IECExSIR05.0067X / RUC-DE.IT08.B.00594
Note	IP protection without GWDR is IP54. To achieve IP66 / IP68 protection, a nylon GWDR must be ordered separately.

Ordering data

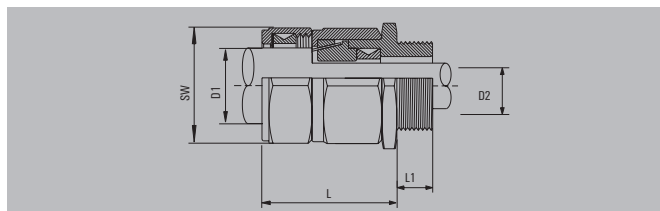
Type	Thread	D1 outer cable Ø	D2 inner cable Ø	Cable armour	L/L1	SW	SUHB	Qty.	Order No.
metric, brass									
KDSX M20 BS 0 SC 1 G16	M 20	4.90-10.30	3.50-8.40	0.15-0.35	58 / 16	24	L24	20	1135650000
KDSX M20 BS 0 SC 2 G16	M 20	8.40-13.50	3.50-8.40	0.15-0.35	58 / 16	24	L24	20	1135660000
KDSX M20 BS 0 SC 1 G20S	M 20	9.40-12.50	8.00-11.70	0.15-0.35	58 / 16	24	L24	20	1135670000
KDSX M20 BS 0 SC 2 G20S	M 20	11.50-16.00	8.00-11.70	0.15-0.35	58 / 16	24	L24	20	1135680000
KDSX M20 BS 0 SC 1 G20	M 20	12.00-17.60	6.70-14.00	0.15-0.5	58 / 16	30	L30	20	1135690000
KDSX M20 BS 0 SC 2 G20	M 20	15.50-21.10	6.70-14.00	0.15-0.5	58 / 16	30	L30	20	1135710000
KDSX M25 BS 0 SC 1 G25	M 25	16.80-23.90	13.00-20.00	0.15-0.5	58 / 16	38	L38	20	1135720000
KDSX M25 BS 0 SC 2 G25	M 25	20.30-27.40	13.00-20.00	0.15-0.5	58 / 16	38	L38	20	1135730000
KDSX M32 BS 0 SC 1 G32	M 32	23.20-30.50	19.00-26.30	0.15-0.55	65 / 16	46	L46	10	1135740000
KDSX M32 BS 0 SC 2 G32	M 32	26.70-34.00	19.00-26.30	0.15-0.55	65 / 16	46	L46	10	1135750000
KDSX M40 BS 0 SC 1 G40	M 40	28.60-36.20	25.00-32.20	0.2-0.6	72 / 16	55	L55	10	1135760000
KDSX M40 BS 0 SC 2 G40	M 40	33.00-40.60	25.00-32.20	0.2-0.6	72 / 16	55	L55	10	1135770000
KDSX M50 BS 0 SC 1 G50S	M 50	34.80-42.40	31.50-38.20	0.2-0.6	73 / 16	65	L65	1	1135780000
KDSX M50 BS 0 SC 2 G50S	M 50	39.40-46.70	31.50-38.20	0.2-0.6	73 / 16	65	L65	1	1135790000
KDSX M50 BS 0 SC 1 G50	M 50	41.10-48.50	36.50-44.10	0.5-0.8	73 / 16	65	L65	1	1135800000
KDSX M50 BS 0 SC 2 G50	M 50	45.70-53.20	36.50-44.10	0.5-0.8	73 / 16	65	L65	1	1135810000
KDSX M63 BS 0 SC 1 G63S	M 63	47.50-54.80	42.50-50.10	0.5-0.8	76 / 19	80	L80	1	1135820000
KDSX M63 BS 0 SC 2 G63S	M 63	52.10-59.50	42.50-50.10	0.5-0.8	76 / 19	80	L80	1	1135830000
KDSX M63 BS 0 SC 1 G63	M 63	53.80-61.20	49.50-56.00	0.5-0.8	76 / 19	80	L80	1	1135840000
KDSX M63 BS 0 SC 2 G63	M 63	58.40-65.80	49.50-56.00	0.5-0.8	76 / 19	80	L80	1	1135850000
KDSX M75 BS 0 SC 1 G75S	M 75	60.20-68.00	54.50-62.00	0.5-1	82 / 19	90	L90	1	1135860000
KDSX M75 BS 0 SC 2 G75S	M 75	64.80-72.40	54.50-62.00	0.5-1	82 / 19	90	L90	1	1135870000
KDSX M75 BS 0 SC 1 G75	M 75	66.50-73.40	60.50-68.00	0.5-1	82 / 19	90	L90	1	1135880000
KDSX M75 BS 0 SC 2 G75	M 75	71.10-78.00	60.50-68.00	0.5-1	82 / 19	90	L90	1	1135890000

Note	<ul style="list-style-type: none"> All cable glands have a thread pitch of 1.5 mm. In the case of Ex d applications, the inner threads used for cable glands must meet the requirements of section 5.3 of EN/IEC 60079-1. In the screwed in position, at least 5 threads must be engaged. If the cable glands are installed in non-metallic Ex e connection equipment, these must be connected to the protective earth of the system. The connection cable must be laid securely and inflexibly to rule out tensile stress.
-------------	---

Klippon® cable glands - nickel-plated brass - Ex e, Ex d, IP66 / IP68 for armoured cables



Cable gland for cables and lines with braided armouring.



Technical data

Material	Brass, nickel-plated
Seal insert	Silicone
Temperature range	-60 °C...180 °C
Protection class	IP54
Protection degree with GWDR	IP66, IP68 - 2.5 bar
Water depth	25 m (30 Min.)
Type of armouring	Braided armouring
Marking	ATEX: II 2G, Ex d IIC Gb, Ex e IIC Gb; II 1D, Ex ta IIIC Da, IECEx: Ex d IIC Gb; Ex e IIC Gb; Ex ta IIIC Da
Certificate no. (ATEX / IECEx / EAC)	SIRA 05 ATEX 1286X / IECExSIR05.0067X / RUC-DE.IT08.B.00594
Note	IP protection without GWDR is IP54. To achieve IP66 / IP68 protection, a nylon GWDR must be ordered separately.

Ordering data

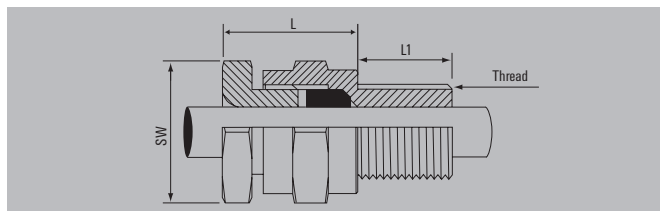
Type	Thread	D1 outer cable Ø	D2 inner cable Ø	Cable armour	L/L1	SW	SUHB	Qty.	Order No.
metric, nickel-plated brass									
KDSX M20 BS 0 NI 1 G16	M 20	4.90-10.30	3.50-8.40	0.15-0.35	58 / 16	24	L24	20	1135910000
KDSX M20 BS 0 NI 2 G16	M 20	8.40-13.50	3.50-8.40	0.15-0.35	58 / 16	24	L24	20	1135920000
KDSX M20 BS 0 NI 1 G20	M 20	12.00-17.60	6.70-14.00	0.15-0.5	58 / 16	30	L30	20	1135950000
KDSX M20 BS 0 NI 2 G20	M 20	15.50-21.10	6.70-14.00	0.15-0.5	58 / 16	30	L30	20	1135960000
KDSX M20 BS 0 NI 1 G20S	M 20	9.40-12.50	8.00-11.70	0.15-0.35	58 / 16	24	L24	20	1135930000
KDSX M20 BS 0 NI 2 G20S	M 20	11.50-16.00	8.00-11.70	0.15-0.35	58 / 16	24	L24	20	1135940000
KDSX M25 BS 0 NI 1 G25	M 25	16.80-23.90	13.00-20.00	0.15-0.5	58 / 16	38	L38	20	1135970000
KDSX M25 BS 0 NI 2 G25	M 25	20.30-27.40	13.00-20.00	0.15-0.5	58 / 16	38	L38	20	1135980000
KDSX M32 BS 0 NI 1 G32	M 32	23.20-30.50	19.00-26.30	0.15-0.55	65 / 16	46	L46	10	1135990000
KDSX M32 BS 0 NI 2 G32	M 32	26.70-34.00	19.00-26.30	0.15-0.55	65 / 16	46	L46	10	1136000000
KDSX M40 BS 0 NI 1 G40	M 40	28.60-36.20	25.00-32.20	0.2-0.6	72 / 16	55	L55	10	1136010000
KDSX M40 BS 0 NI 2 G40	M 40	33.00-40.60	25.00-32.20	0.2-0.6	72 / 16	55	L55	10	1136020000
KDSX M50 BS 0 NI 1 G50	M 50	41.10-48.50	36.50-44.10	0.5-0.8	73 / 16	65	L65	1	1136050000
KDSX M50 BS 0 NI 2 G50	M 50	45.70-53.20	36.50-44.10	0.5-0.8	73 / 16	65	L65	1	1136060000
KDSX M50 BS 0 NI 1 G50S	M 50	34.80-42.40	31.50-38.20	0.2-0.6	73 / 16	65	L65	1	1136030000
KDSX M50 BS 0 NI 2 G50S	M 50	39.40-46.70	31.50-38.20	0.2-0.6	73 / 16	65	L65	1	1136040000
KDSX M63 BS 0 NI 1 G63	M 63	53.80-61.20	49.50-56.00	0.5-0.8	76 / 19	80	L80	1	1136090000
KDSX M63 BS 0 NI 2 G63	M 63	58.40-65.80	49.50-56.00	0.5-0.8	76 / 19	80	L80	1	1136110000
KDSX M63 BS 0 NI 1 G63S	M 63	47.50-54.80	42.50-50.10	0.5-0.8	76 / 19	80	L80	1	1136070000
KDSX M63 BS 0 NI 2 G63S	M 63	52.10-59.50	42.50-50.10	0.5-0.8	76 / 19	80	L80	1	1136080000
KDSX M75 BS 0 NI 1 G75	M 75	66.50-73.40	60.50-68.00	0.5-1	82 / 19	90	L90	1	1136140000
KDSX M75 BS 0 NI 2 G75	M 75	71.10-78.00	60.50-68.00	0.5-1	82 / 19	90	L90	1	1136150000
KDSX M75 BS 0 NI 1 G75S	M 75	60.20-68.00	54.50-62.00	0.5-1	82 / 19	90	L90	1	1136120000
KDSX M75 BS 0 NI 2 G75S	M 75	64.80-72.20	54.50-62.00	0.5-1	82 / 19	90	L90	1	1136130000

Note	<ul style="list-style-type: none"> All cable glands have a thread pitch of 1.5 mm. In the case of Ex d applications, the inner threads used for cable glands must meet the requirements of section 5.3 of EN/IEC 60079-1. In the screwed in position, at least 5 threads must be engaged. If the cable glands are installed in non-metallic Ex e connection equipment, these must be connected to the protective earth of the system. The connection cable must be laid securely and inflexibly to rule out tensile stress.
-------------	---

Klippon® cable glands - nickel-plated brass - Ex e, Ex d, IP66 / IP68 for non-armoured cables



Cable gland exclusively for non-armoured cables and lines.



Technical data

Material	Brass
O-ring / Seal insert	CR / CR
Temperature range	-20 °C...85 °C
Degree of protection	IP66, IP68 - 2.5 bar
Water depth	25 m (30 Min.)
Marking	ATEX: II 2G, Ex d IIC Gb, Ex e IIC Gb; II 1D, Ex ta IIIC Da, IECEx: Ex d IIC Gb; Ex e IIC Gb; Ex ta IIIC Da
Certificate no. (ATEX / IECEx / EAC)	SIRA 05 ATEX 1287X / IECExSIR05.0067X / RUC-DE.IT08.B.00594
Note	Length „L“ varies according to cable diameter used.

Ordering data

Type	Thread	KB	L/L1	SW	SUHB	Qty.	Order No.
metric, brass							
KSG M20 BN O SC 2 G16	M 20	4.00-8.40	33 / 16	25	L24	20	1909380000
KSG M20 BN O SC 2 G20S	M 20	7.20-11.70	33 / 16	25	L24	20	1909400000
KSG M20 BN O SC 2 G20	M 20	9.60-14.00	33 / 16	30	L30	20	1909410000
KSG M25 BN O SC 2 G25	M 25	13.50-20.00	33 / 16	38	L38	20	1909420000
KSG M32 BN O SC 2 G32	M 32	19.50-26.30	33 / 16	46	L46	10	1909430000
KSG M40 BN O SC 2 G40	M 40	23.00-32.20	37 / 16	55	L55	10	1909440000
KSG M50 BN O SC 2 G50S	M 50	28.10-38.20	37 / 16	65	L65	1	1909450000
KSG M50 BN O SC 2 G50	M 50	33.10-44.10	37 / 16	65	L65	1	1909460000
KSG M63 BN O SC 2 G63S	M 63	39.20-50.10	37 / 19	80	L80	1	1909470000
KSG M63 BN O SC 2 G63	M 63	46.70-56.00	37 / 19	80	L80	1	1909480000
KSG M75 BN O SC 2 G75	M 75	58.00-68.00	37 / 19	90	L90	1	1075340000
KSG M75 BN O SC 2 G75S	M 75	52.10-62.00	37 / 19	90	L90	1	1075330000
metric, nickel-plated brass							
KSG M20 BN O NI 2 G16	M 20	4.00-8.40	33 / 16	25	L24	20	1911510000
KSG M20 BN O NI 2 G20S	M 20	7.20-11.70	33 / 16	25	L24	20	1911540000
KSG M20 BN O NI 2 G20	M 20	9.60-14.00	33 / 16	30	L30	20	1911560000
KSG M25 BN O NI 2 G25	M 25	13.50-20.00	33 / 16	38	L38	20	1911570000
KSG M32 BN O NI 2 G32	M 32	19.50-26.30	33 / 16	46	L46	10	1911580000
KSG M40 BN O NI 2 G40	M 40	23.00-32.20	37 / 16	55	L55	10	1911590000
KSG M50 BN O NI 2 G50S	M 50	28.10-38.20	37 / 16	65	L65	1	1911600000
KSG M50 BN O NI 2 G50	M 50	33.10-44.10	37 / 16	65	L65	1	1911610000
KSG M63 BN O NI 2 G63S	M 63	39.20-50.10	37 / 19	80	L80	1	1911620000
KSG M63 BN O NI 2 G63	M 63	46.70-56.00	37 / 19	80	L80	1	1911630000
KSG M75 BN O NI 2 G75	M 75	58.00-68.00	37 / 19	90	L90	1	1075360000
KSG M75 BN O NI 2 G75S	M 75	52.10-62.00	37 / 19	90	L90	1	1075350000

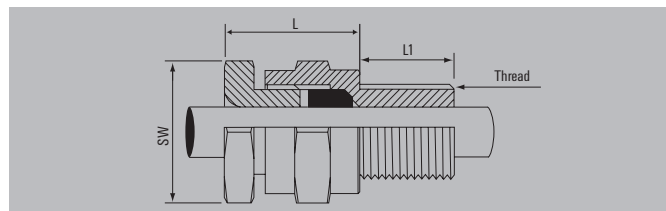
Note

- All cable glands have a thread pitch of 1.5 mm.
- In the case of Ex d applications, the inner threads used for cable glands must meet the requirements of section 5.3 of EN/IEC 60079-1. In the screwed in position, at least 5 threads must be engaged.
- If the cable glands are installed in non-metallic Ex e connection equipment, these must be connected to the protective earth of the system.
- The connection cable must be laid securely and inflexibly to rule out tensile stress.

Klippon® cable glands - Brass - Ex e, Ex d, IP66 / IP68 for non-armoured cables



Cable gland exclusively for non-armoured cables and lines.



Technical data

Material	Brass
O-ring / Seal insert	Silicone / Silicone
Temperature range	-60 °C...180 °C
Degree of protection	IP66, IP68 - 2.5 bar
Water depth	25 m (30 Min.)
Marking	ATEX: II 2G, Ex d IIC Gb, Ex e IIC Gb; II 1D, Ex ta IIIC Da, IECEx: Ex d IIC Gb; Ex e IIC Gb; Ex ta IIIC Da
Certificate no. (ATEX / IECEx / EAC)	SIRA 05 ATEX 1287X / IECExSIR05.0067X / RUC-DE.IT08.B.00594
Note	

Ordering data

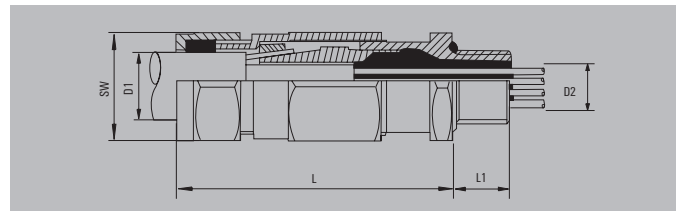
Type	Thread	KB	L/L1	SW	SUHB	Qty.	Order No.
metric, brass							
KSG M20 BS 0 SC 2 G16	M 20	4.00-8.40	33 / 16	25	L24	20	0930481212
KSG M20 BS 0 SC 2 G20	M 20	9.60-14.00	33 / 16	30	L30	20	0930501212
KSG M20 BS 0 SC 2 G20S	M 20	7.20-11.70	33 / 16	25	L24	20	1136720000
KSG M25 BS 0 SC 2 G25	M 25	13.50-20.00	33 / 16	38	L38	20	0930511212
KSG M32 BS 0 SC 2 G32	M 32	19.50-26.30	33 / 16	46	L46	10	0930521212
KSG M40 BS 0 SC 2 G40	M 40	23.00-32.20	37 / 16	55	L55	10	0930531212
KSG M50 BS 0 SC 2 G50	M 50	33.10-44.10	37 / 16	65	L65	1	0930551212
KSG M50 BS 0 SC 2 G50S	M 50	28.10-38.20	37 / 16	65	L65	1	1136730000
KSG M63 BS 0 SC 2 G63	M 63	46.70-56.00	37 / 19	80	L80	1	1136750000
KSG M63 BS 0 SC 2 G63S	M 63	39.20-50.10	37 / 19	80	L80	1	1136740000
KSG M75 BS 0 SC 2 G75	M 75	58.00-68.00	37 / 19	90	L90	1	1136770000
KSG M75 BS 0 SC 2 G75S	M 75	52.10-62.00	37 / 19	90	L90	1	1136760000
metric, nickel-plated brass							
KSG M20 BS 0 NI 2 G16	M 20	4.00-8.40	33 / 16	25	L24	20	0930481222
KSG M20 BS 0 NI 2 G20	M 20	9.60-14.00	33 / 16	25	L30	20	0930501222
KSG M20 BS 0 NI 2 G20S	M 20	7.20-11.70	33 / 16	25	L24	20	0930491224
KSG M25 BS 0 NI 2 G25	M 25	13.50-20.00	33 / 16	38	L38	20	0930511222
KSG M32 BS 0 NI 2 G32	M 32	19.50-26.30	33 / 16	46	L46	10	0930521222
KSG M40 BS 0 NI 2 G40	M 40	23.00-32.20	37 / 16	55	L55	10	0930531222
KSG M50 BS 0 NI 2 G50	M 50	33.10-44.10	37 / 16	65	L65	1	1136670000
KSG M50 BS 0 NI 2 G50S	M 50	28.10-38.20	37 / 16	65	L65	1	1136660000
KSG M63 BS 0 NI 2 G63	M 63	46.70-56.00	37 / 19	80	L80	1	1136690000
KSG M63 BS 0 NI 2 G63S	M 63	39.20-50.10	37 / 19	80	L80	1	1136680000
KSG M75 BS 0 NI 2 G75	M 75	58.00-68.00	37 / 19	90	L90	1	1136710000
KSG M75 BS 0 NI 2 G75S	M 75	52.10-62.00	37 / 19	90	L90	1	1136700000

- Note**
- All cable glands have a thread pitch of 1.5 mm.
 - In the case of Ex d applications, the inner threads used for cable glands must meet the requirements of section 5.3 of EN/IEC 60079-1. In the screwed in position, at least 5 threads must be engaged.
 - If the cable glands are installed in non-metallic Ex e connection equipment, these must be connected to the protective earth of the system.
 - The connection cable must be laid securely and inflexibly to rule out tensile stress.

Klippon® cable glands - Brass - Ex d, IP68 for armoured and non-armoured encapsulated cables



Barrier cable glands for cables and lines with a single-wire, metal-foil armouring, and braided armouring for Ex-d IIC enclosure, with a volume of more than two litres.



Technical data

Material	Brass
O-ring / Seal insert	Silicone / CR
Temperature range	-60 °C...85 °C
Degree of protection	IP68 - 10 bar
Water depth	100 m (30 Min.)
Type of armouring	Single-wire armouring, Metal foil armouring, Braided armouring
Encapsulation compound	Processing temperature at 21°C, the sealing compound is hardened after one hour, After 4 hours, the cable gland can be installed and initial commissioning can take place
Marking	ATEX: II 2 GD, Ex d IIC Gb, Ex e IIC Gb, Ex tb IIIC (Ta = -60°C to + 135°C) or II 1D, Ex ta IIIC Da (Ta = -60°C to + 135°C), IECEx: Ex d IIC Gb; Ex e IIC Gb; Ex ta IIIC Da
Certificate no. (ATEX / IECEx / EAC)	SIRA 05ATEX 1288X / IECExSIR05.0067X / RUC-DE.IT08.B.00594
Note	

Ordering data

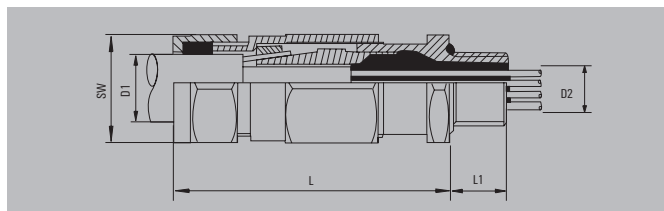
Type	Thread	D1 outer cable Ø	D2 inner cable Ø	L/L1	SW	SUHB	Qty.	Order No.
metric, brass								
KUB M20 BS 0 SC 1 G16	M 20	6.70-10.30	11.70	72 / 16	24	L24	20	1095340000
KUB M20 BS 0 SC 2 G16	M 20	8.40-13.50	11.70	72 / 16	24	L24	20	1095350000
KUB M20 BS 0 SC 1 G20S	M 20	6.70-10.30	11.70	72 / 16	24	L24	20	1095360000
KUB M20 BS 0 SC 2 G20S	M 20	11.50-16.00	11.70	72 / 16	24	L24	20	1095370000
KUB M20 BS 0 SC 1 G20	M 20	12.00-17.60	14.00	73 / 16	30	EL30	20	1095380000
KUB M20 BS 0 SC 2 G20	M 20	15.50-21.10	14.00	73 / 16	30	EL30	20	1095390000
KUB M25 BS 0 SC 1 G25	M 25	16.80-23.90	20.00	83 / 16	38	EL38	20	1095400000
KUB M25 BS 0 SC 2 G25	M 25	20.30-27.40	20.00	83 / 16	38	EL38	20	1095410000
KUB M32 BS 0 SC 1 G32	M 32	23.20-30.50	26.30	103 / 16	46	EL46	10	1095420000
KUB M32 BS 0 SC 2 G32	M 32	26.70-34.00	26.30	103 / 16	46	EL46	10	1095430000
KUB M40 BS 0 SC 1 G40	M 40	28.60-36.20	32.20	105 / 16	55	EL55	10	1095440000
KUB M40 BS 0 SC 2 G40	M 40	33.00-40.60	32.20	105 / 16	55	EL55	10	1095450000
KUB M50 BS 0 SC 1 G50S	M 50	34.80-42.40	38.20	115 / 16	65	EL65	1	1095460000
KUB M50 BS 0 SC 2 G50S	M 50	39.40-46.70	38.20	115 / 16	65	EL65	1	1095470000
KUB M50 BS 0 SC 1 G50	M 50	41.10-48.50	44.10	115 / 16	65	EL65	1	1095480000
KUB M50 BS 0 SC 2 G50	M 50	45.70-53.20	44.10	115 / 16	65	EL65	1	1095490000
KUB M63 BS 0 SC 1 G63S	M 63	47.50-54.80	50.10	115 / 19	80	EL80	1	1095500000
KUB M63 BS 0 SC 2 G63S	M 63	52.10-59.50	50.10	115 / 19	80	EL80	1	1095510000
KUB M63 BS 0 SC 1 G63	M 63	53.80-61.20	56.00	115 / 19	80	EL80	1	1095520000
KUB M63 BS 0 SC 2 G63	M 63	58.40-65.80	56.00	115 / 19	80	EL80	1	1095530000
KUB M75 BS 0 SC 1 G75S	M 75	60.20-68.00	62.00	122 / 19	90	EL90	1	1095540000
KUB M75 BS 0 SC 2 G75S	M 75	64.80-72.20	62.00	122 / 19	90	EL90	1	1095550000
KUB M75 BS 0 SC 1 G75	M 75	66.50-73.40	68.00	122 / 19	90	EL90	1	1095560000
KUB M75 BS 0 SC 2 G75	M 75	71.10-78.00	68.00	122 / 19	90	EL90	1	1095570000

- Note**
- All cable glands have a thread pitch of 1.5 mm.
 - In the case of Ex d applications, the inner threads used for cable glands must meet the requirements of section 5.3 of EN/IEC 60079-1. In the screwed in position, at least 5 threads must be engaged.
 - The connection cable must be laid securely and inflexibly to rule out tensile stress.

Klippon® cable glands - nickel-plated brass - Ex d, IP68 for armoured and non-armoured encapsulated cables



Barrier cable glands for cables and lines with a single-wire, metal-foil armouring, and braided armouring for Ex-d IIC enclosure, with a volume of more than two litres.



Technical data

Material	Brass, nickel-plated
O-ring / Seal insert	Silicone / Silicone
Temperature range	-60 °C...85 °C
Degree of protection	IP68 - 10 bar
Water depth	100 m (30 Min.)
Type of armouring	Single-wire armouring, Metal foil armouring, Braided armouring
Encapsulation compound	Processing temperature at 21°C, the sealing compound is hardened after one hour, After 4 hours, the cable gland can be installed and initial commissioning can take place
Marking	ATEX: II 2 GD, Ex d IIC Gb, Ex e IIC Gb, Ex tb IIIC (Ta = -60°C to + 135°C) or II 1D, Ex ta IIIC Da (Ta = -60°C to + 135°C), IECEx: Ex d IIC Gb; Ex e IIC Gb; Ex ta IIIC Da
Certificate no. (ATEX / IECEx / EAC)	SIRA 05ATEX 1288X / IECExSIR05.0067X / RUC-DE.IT08.B.00594
Note	

Ordering data

Type	Thread	D1 outer cable Ø	D2 inner cable Ø	L/L1	SW	SUHB	Qty.	Order No.
metric, nickel-plated brass								
KUB M20 BS O NI 1 G16	M 20	6.70-10.30	11.70	72 / 16	24	L24	20	1095100000
KUB M20 BS O NI 2 G16	M 20	8.40-13.50	11.70	72 / 16	24	L24	20	1095110000
KUB M20 BS O NI 1 G20	M 20	12.00-17.60	14.00	73 / 16	30	EL30	20	1095140000
KUB M20 BS O NI 2 G20	M 20	15.50-21.10	14.00	73 / 16	30	EL30	20	1095150000
KUB M20 BS O NI 1 G20S	M 20	9.40-12.50	11.70	72 / 16	24	L24	20	1095120000
KUB M20 BS O NI 2 G20S	M 20	11.50-16.00	11.70	72 / 16	24	L24	20	1095130000
KUB M25 BS O NI 1 G25	M 25	16.80-23.90	20.00	83 / 16	38	EL38	20	1095160000
KUB M25 BS O NI 2 G25	M 25	20.30-27.40	20.00	83 / 16	38	EL38	20	1095170000
KUB M32 BS O NI 1 G32	M 32	23.20-30.50	26.30	103 / 16	46	EL46	10	1095180000
KUB M32 BS O NI 2 G32	M 32	26.70-34.00	26.30	103 / 16	46	EL46	10	1095190000
KUB M40 BS O NI 1 G40	M 40	28.60-36.20	32.20	105 / 16	55	EL55	10	1095200000
KUB M40 BS O NI 2 G40	M 40	33.00-40.60	32.20	105 / 16	55	EL55	10	1095210000
KUB M50 BS O NI 1 G50	M 50	41.10-48.50	44.10	115 / 16	65	EL65	1	1095240000
KUB M50 BN O NI 2 G50	M 50	45.70-53.20	44.10	115 / 16	65	EL65	1	1095250000
KUB M50 BS O NI 1 G50S	M 50	34.80-42.40	38.20	115 / 16	65	EL65	1	1095220000
KUB M50 BS O NI 2 G50S	M 50	39.40-46.70	38.20	115 / 16	65	EL65	1	1095230000
KUB M63 BS O NI 1 G63	M 63	53.80-61.20	56.00	115 / 19	80	EL80	1	1095280000
KUB M63 BS O NI 2 G63	M 63	58.40-65.80	56.00	115 / 19	80	EL80	1	1095290000
KUB M63 BS O NI 1 G63S	M 63	47.50-54.80	50.10	115 / 19	80	EL80	1	1095260000
KUB M63 BS O NI 2 G63S	M 63	52.10-59.50	50.10	115 / 19	80	EL80	1	1095270000
KUB M75 BS O NI 1 G75	M 75	66.50-73.40	68.00	122 / 19	90	EL90	1	1095320000
KUB M75 BS O NI 2 G75	M 75	71.10-78.00	68.00	122 / 19	90	EL90	1	1095330000
KUB M75 BS O NI 1 G75S	M 75	60.20-68.00	62.00	122 / 19	90	EL90	1	1095300000
KUB M75 BS O NI 2 G75S	M 75	64.80-72.20	62.00	122 / 19	90	EL90	1	1095310000

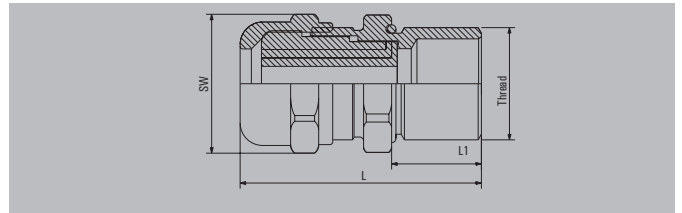
Note	<ul style="list-style-type: none"> • All cable glands have a thread pitch of 1.5 mm. • In the case of Ex d applications, the inner threads used for cable glands must meet the requirements of section 5.3 of EN/IEC 60079-1. In the screwed in position, at least 5 threads must be engaged. • The connection cable must be laid securely and inflexibly to rule out tensile stress.
-------------	--

Cable glands for Ex applications - Brass

Ex cable glands - brass - Nickel plated - Ex e, Ex d, IP 66 / IP 68 for non-armoured cables



Cable gland exclusively for non-armoured cables and lines. This Ex e/d approved screw connection has multiply divisible seal inserts (onion rings) to cover the greatest possible clamping range.



D

Technical data

Material	Brass, nickel-plated
O-ring / Seal insert	NBR / CR
Temperature range	-40 °C...100 °C
Degree of protection	IP66, IP68
Marking	Ex d IIC Gb, Ex e IIC Gb, Ex tb IIIC Db IP66/68
Note	

Ordering data

Type	Thread	KB	L/L1	SW	Qty.	Order No.
VG M16 EXE MS	M 16	3.00-12.00	46 / 16	22	50	1460040000
VG M20 EXE MS	M 20	3.00-12.00	43 / 16	22	50	1460050000
VG M25 EXE MS	M 25	10.00-18.00	45,5 / 16	28	20	1460070000
VG M32 EXE MS	M 32	14.00-24.00	49 / 16	35	20	1460080000
VG M40 EXE MS	M 40	22.00-32.00	59 / 18	45	10	1460090000
VG M50 EXE MS	M 50	35.00-44.00	61,5 / 18	64	5	1460100000
VG M63 EXE MS	M 63	46.00-56.00	69,5 / 18	80	5	1460110000

Note

Safeguard processes in potentially explosive atmospheres

Ex cable glands for safe devices as per EN 60079-0:2012 + A11 : 2013

The environmental conditions in many industry and explosion-proof applications pose a real challenge for the system components. Dust, vibrations, moisture and extreme temperatures all have an impact on the installed devices and the cable glands must also be able to withstand these stresses too.

The new Ex cable glands guarantee process reliability in demanding environments. They are designed such that they can be used universally in any enclosure series. They are also just as easy to use in both high and low-temperature environments.

With impact resistance of 7 Joules, the new explosion-proof polyamide cable glands offer extremely high levels of protection against external influences such as shocks or impacts. Together with their suitability for use in an extended temperature range and their proven conformity with current standards, these cable glands ensure safe and reliable functioning in a wide range of applications.



In process-intensive industries such as petrochemistry, energy production, machine construction, motor and drive technology and device components which are subjected to extremely high stresses. The new cable glands can withstand even the harshest environmental conditions. Guarantee impact-resistance of up to 7 Joules over an extended temperature range.

Your special advantages:

Impact and temperature resistant

The new cable glands for use in areas at risk of explosion can withstand extreme temperature conditions. They are impact-resistant up to 7 Joules and can be used in any Weidmüller enclosures, guaranteeing versatile applicability with full standard conformity.

Flexible application

Available in 8 standard sizes from M12 to M63, and with 14 different clamping ranges (PG7-PG48 on request), the new range of cable glands are suitable for an extremely wide range of applications.

**Resistant to high temperatures**

The new cable glands have an operating temperature range of $-40\text{ }^{\circ}\text{C}$ to $+70\text{ }^{\circ}\text{C}$ with a chloroprene seal, and a range of as wide as $-60\text{ }^{\circ}\text{C}$ to $+70\text{ }^{\circ}\text{C}$ with a silicone seal.

**Extremely impact-resistant**

With impact resistance of 7 Joules, the new explosion-proof cable glands offer extremely high levels of protection against external influences such as shocks or impacts, in accordance with EN 60079-0:2012 + A11 : 2013

**Comprehensive approvals**

Whether for Ex e or Ex i applications: The new plastic cable glands comply consistently with EN 60079-0:2012 + A11 : 2013 and are approved in accordance with ATEX, IECEx and EAC.

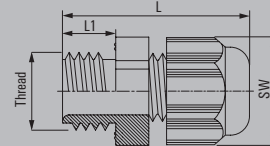


Cable glands for Ex applications - Plastic

Ex cable glands, plastic – Ex e, Ex i, IP66 / IP68, 7J, -40°C - +70°C



Plastic gland for Ex applications with integrated strain relief, especially for Ex e and Ex i applications with chloroprene seal and 7 Joule impact resistance. Complete with integral membrane seal for clean transportation and storage.



Technical data

Material	Polyamide 6
Temperature range	-40 °C...70 °C
Seal insert	CR
Protection class	IP54, IP66, IP67, IP68 - 5 bar (30 min.)
Impact resistance	7 joules in acc. with IEC60079-0
Marking	Ex e IIC Gb, Ex tb IIIC Db IP66/68
Note	

Ordering data

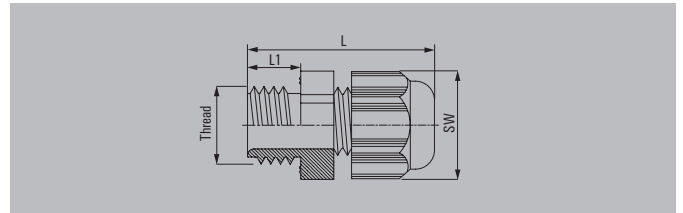
Type	Thread	KB	L/L1	SW	DR	Qty.	Order No.
Ex e, deep black							
VG M12 EXE 4-6.5 CR 7J	M 12	4.00-6.50 mm	22 / 10 mm	15 mm	2	100	2017200000
VG M16 EXE 5-8 CR 7J	M 16	5.00-8.00 mm	26 / 10 mm	19 mm	2.5	50	2017210000
VG M16 EXE 6-10 CR 7J	M 16	6.00-10.00 mm	29.5 / 10 mm	22 mm	2.5	50	2017220000
VG M20 EXE 7-12 CR 7J	M 20	7.00-12.00 mm	30 / 10 mm	24 mm	5	50	2017230000
VG M20 EXE 7-13 CR 7J	M 20	7.00-13.00 mm	33 / 10 mm	25 mm	5	50	2017240000
VG M20 EXE 11-14 CR 7J	M 20	11.00-14.00 mm	30 / 10 mm	27 mm	5.5	50	2017250000
VG M25 EXE 12-17 CR 7J	M 25	12.00-17.00 mm	34 / 10 mm	29 mm	5	50	2017260000
VG M25 EXE 14-18 CR 7J	M 25	14.00-18.00 mm	35 / 10 mm	33 mm	5.5	25	2017280000
VG M32 EXE 16-21 CR 7J	M 32	16.00-21.00 mm	42 / 10 mm	36 mm	6	25	2017290000
VG M32 EXE 19-25 CR 7J	M 32	19.00-25.00 mm	40.5 / 15 mm	42 mm	9	20	2017300000
VG M40 EXE 20-28 CR 7J	M 40	20.00-28.00 mm	46 / 10 mm	46 mm	5	20	2017310000
VG M40 EXE 23-32 CR 7J	M 40	23.00-32.00 mm	50 / 18 mm	53 mm	17.5	10	2017320000
VG M50 EXE 31-38 CR 7J	M 50	31.00-38.00 mm	54 / 18 mm	60 mm	22	10	2017340000
VG M63 EXE 35-44 CR 7J	M 63	35.00-44.00 mm	54 / 18 mm	65 mm	23	10	2017350000
Ex i, light blue, deep black							
VG M12 EXI 4-6.5 CR 7J	M 12	4.00-6.50 mm	22 / 10 mm	15 mm	2	100	2017670000
VG M16 EXI 5-8 CR 7J	M 16	5.00-8.00 mm	26 / 10 mm	19 mm	2.5	50	2017680000
VG M16 EXI 6-10 CR 7J	M 16	6.00-10.00 mm	29.5 / 10 mm	22 mm	2.5	50	2017690000
VG M20 EXI 7-12 CR 7J	M 20	7.00-12.00 mm	30 / 10 mm	24 mm	5	50	2017700000
VG M20 EXI 7-13 CR 7J	M 20	7.00-13.00 mm	33 / 10 mm	25 mm	5	50	2017710000
VG M20 EXI 11-14 CR 7J	M 20	11.00-14.00 mm	30 / 10 mm	27 mm	5.5	50	2017720000
VG M25 EXI 12-17 CR 7J	M 25	12.00-17.00 mm	34 / 10 mm	29 mm	5	50	2017730000
VG M25 EXI 14-18 CR 7J	M 25	14.00-18.00 mm	35 / 10 mm	33 mm	5.5	25	2017740000
VG M32 EXI 16-21 CR 7J	M 32	16.00-21.00 mm	42 / 10 mm	36 mm	6	25	2017750000
VG M32 EXI 19-25 CR 7J	M 32	19.00-25.00 mm	40.5 / 15 mm	42 mm	9	20	2017760000
VG M40 EXI 20-28 CR 7J	M 40	20.00-28.00 mm	46 / 10 mm	46 mm	5	20	2017770000
VG M40 EXI 23-32 CR 7J	M 40	23.00-32.00 mm	50 / 18 mm	53 mm	17.5	10	2017780000
VG M50 EXI 31-38 CR 7J	M 50	31.00-38.00 mm	54 / 18 mm	60 mm	22	10	2017790000
VG M63 EXI 35-44 CR 7J	M 63	35.00-44.00 mm	54 / 18 mm	65 mm	23	10	2017800000

Note Please find installation and torque specifications in the assembly instructions.

Ex cable glands – plastic – Ex e, Ex i, IP66 / IP68, 7J, -60°C - +70°C



Plastic gland for Ex applications with integrated strain relief, especially for Ex e and Ex i applications with silicone seal and 7 Joule impact resistance. Complete with integral membrane seal for clean transportation and storage.



Technical data

Material	Polyamide 6
Temperature range	-60 °C...70 °C
Seal insert	Silicone
Protection class	IP54, IP66, IP67, IP68 - 5 bar (30 min.)
Impact resistance	7 joules in acc. with IEC60079-0
Marking	Ex e IIC Gb, Ex tb IIIC Db IP66/68
Note	

Ordering data

Type	Thread	KB	L/L1	SW	DR	Qty.	Order No.
Ex e, deep black							
VG M12 EXE 4-6.5 SI 7J	M 12	4.00-6.50 mm	22 / 10 mm	15 mm	2	100	2017370000
VG M16 EXE 5-8 SI 7J	M 16	5.00-8.00 mm	26 / 10 mm	19 mm	2.5	50	2017380000
VG M16 EXE 6-10 SI 7J	M 16	6.00-10.00 mm	29.5 / 10 mm	22 mm	2.5	50	2017390000
VG M20 EXE 7-12 SI 7J	M 20	7.00-12.00 mm	30 / 10 mm	24 mm	5	50	2017430000
VG M20 EXE 7-13 SI 7J	M 20	7.00-13.00 mm	33 / 10 mm	25 mm	5	50	2017500000
VG M20 EXE 11-14 SI 7J	M 20	11.00-14.00 mm	30 / 10 mm	27 mm	5.5	50	2017510000
VG M25 EXE 12-17 SI 7J	M 25	12.00-17.00 mm	34 / 10 mm	29 mm	5	50	2017520000
VG M25 EXE 14-18 SI 7J	M 25	14.00-18.00 mm	35 / 10 mm	33 mm	5.5	25	2017550000
VG M32 EXE 16-21 SI 7J	M 32	16.00-21.00 mm	42 / 10 mm	36 mm	6	25	2017560000
VG M32 EXE 19-25 SI 7J	M 32	19.00-25.00 mm	40.5 / 15 mm	42 mm	9	20	2017590000
VG M40 EXE 20-28 SI 7J	M 40	20.00-28.00 mm	46 / 10 mm	46 mm	5	20	2017610000
VG M40 EXE 23-32 SI 7J	M 40	23.00-32.00 mm	50 / 18 mm	53 mm	17.5	10	2017630000
VG M50 EXE 31-38 SI 7J	M 50	31.00-38.00 mm	54 / 18 mm	60 mm	22	10	2017650000
VG M63 EXE 35-44 SI 7J	M 63	35.00-44.00 mm	54 / 18 mm	65 mm	23	10	2017660000
Ex i, light blue, deep black							
VG M12 EXI 4-6.5 SI 7J	M 12	4.00-6.50 mm	22 / 10 mm	15 mm	2	100	2017810000
VG M16 EXI 5-8 SI 7J	M 16	5.00-8.00 mm	26 / 10 mm	19 mm	2.5	50	2017820000
VG M16 EXI 6-10 SI 7J	M 16	6.00-10.00 mm	29.5 / 10 mm	22 mm	2.5	50	2017830000
VG M20 EXI 7-12 SI 7J	M 20	7.00-12.00 mm	30 / 10 mm	24 mm	5	50	2017840000
VG M20 EXI 7-13 SI 7J	M 20	7.00-13.00 mm	33 / 10 mm	25 mm	5	50	2017850000
VG M20 EXI 11-14 SI 7J	M 20	11.00-14.00 mm	30 / 10 mm	27 mm	5.5	50	2017870000
VG M25 EXI 12-17 SI 7J	M 25	12.00-17.00 mm	34 / 10 mm	29 mm	5	50	2017880000
VG M25 EXI 14-18 SI 7J	M 25	14.00-18.00 mm	35 / 10 mm	33 mm	5.5	25	2017890000
VG M32 EXI 16-21 SI 7J	M 32	16.00-21.00 mm	42 / 10 mm	36 mm	6	25	2017900000
VG M32 EXI 19-25 SI 7J	M 32	19.00-25.00 mm	40.5 / 15 mm	42 mm	9	20	2017910000
VG M40 EXI 20-28 SI 7J	M 40	20.00-28.00 mm	46 / 10 mm	46 mm	5	20	2017920000
VG M40 EXI 23-32 SI 7J	M 40	23.00-32.00 mm	50 / 18 mm	53 mm	17.5	10	2017930000
VG M50 EXI 31-38 SI 7J	M 50	31.00-38.00 mm	54 / 18 mm	60 mm	22	10	2017940000
VG M63 EXI 35-44 SI 7J	M 63	35.00-44.00 mm	54 / 18 mm	65 mm	23	10	2017950000

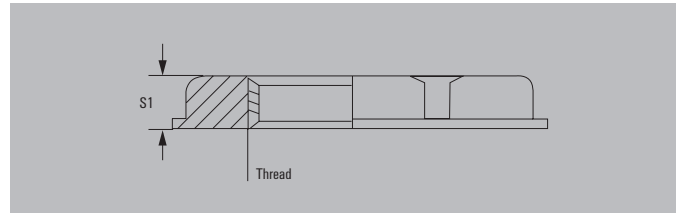
Note Please find installation and torque specifications in the assembly instructions.

Accessories - Lock nuts

Lock nuts - Plastic 7035



Lock nuts with collar for preventing enclosure damage on installation. These are used to secure plastic cable glands and blanking plugs.



Technical data

Material / Colour	Polyamid 6 (PA6 - GF30) / Light Grey / RAL 7035
Temperature range	-20 °C...100 °C
Flammability rating	V-2
Note	

Ordering data

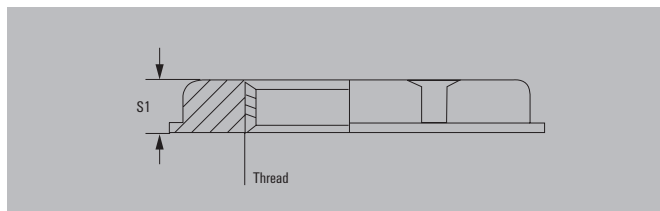
Type	Thread	S1	SW	Qty.	Order No.
metric					
SKMU M12 - K GR	M 12	5.00	18	100	1772440000
SKMU M16 - K GR	M 16	5.00	22	100	1772450000
SKMU M20 - K GR	M 20	6.00	26	100	1772460000
SKMU M25 - K GR	M 25	6.00	32	100	1772470000
SKMU M32 - K GR	M 32	7.00	41	100	1772480000
SKMU M40 - K GR	M 40	7.00	50	50	1772490000
SKMU M50 - K GR	M 50	8.00	60	10	1772500000
SKMU M63 - K GR	M 63	8.00	75	10	1772510000
PG					
SKMU PG7-K GR	PG 7	5.00	19	100	1697440000
SKMU PG9-K GR	PG 9	5.00	22	100	1697450000
SKMU PG11-K GR	PG 11	5.00	24	100	1697460000
SKMU PG 13,5-K GR	PG 13.5	6.00	27	100	1697470000
SKMU PG16-K GR	PG 16	6.00	30	100	1697480000
SKMU PG21-K GR	PG 21	7.00	36	100	1698220000
SKMU PG29-K GR	PG 29	7.00	46	50	1698230000
SKMU PG36-K GR	PG 36	8.00	60	25	1698240000
SKMU PG42-K GR	PG 42	8.00	65	25	1698250000
SKMU PG48-K GR	PG 48	8.00	70	25	1719090000

Note Further versions on request

Lock nuts - Plastic 9005



Lock nuts with collar for preventing enclosure damage on installation. These are used to secure plastic cable glands and blanking plugs - recommended for Ex e and Ex i plastic cable glands.



Technical data

Material / Colour	Polyamid 6 (PA6 - GF30) / deep black / RAL 9005
Temperature range	-20 °C...100 °C
Flammability rating	V-2
Note	approval not required

Ordering data

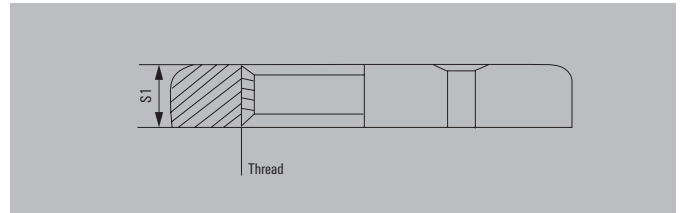
Type	Thread	S1	SW	Qty.	Order No.
metric					
SKMU M12-K SW	M 12	5.00	18	100	1806540000
SKMU M16 K SW	M 16	5.00	22	100	1736920000
SKMU M20 K SW	M 20	6.00	26	100	1736930000
SKMU M25 K SW	M 25	6.00	32	25	1736940000
SKMU M32 K SW	M 32	7.00	41	100	1736950000
SKMU M40 K SW	M 40	7.00	50	10	1736960000
SKMU M50 K SW	M 50	8.00	60	5	1736970000
SKMU M63 K SW	M 63	8.00	75	5	1736980000
PG					
SKMU PG7-K SW	PG 7	5.00	19	100	1719100000
SKMU PG9-K SW	PG 9	5.00	22	50	1719110000
SKMU PG11-K SW	PG 11	5.00	24	50	1719120000
SKMU PG13,5-K SW	PG 13.5	6.00	27	50	1719130000
SKMU PG16-K SW	PG 16	6.00	30	100	1719140000
SKMU PG21-K SW	PG 21	7.00	36	100	1719150000
SKMU PG29-K SW	PG 29	7.00	46	20	1719160000
SKMU PG36-K SW	PG 36	8.00	60	10	1719170000
SKMU PG42-K SW	PG 42	8.00	65	25	1719180000
SKMU PG48-K SW	PG 48	8.00	70	25	1719190000
Note	Further versions on request				

Accessories - Lock nuts

Lock nuts - Brass - Nickel-plated



A lock nut is used to secure the brass cable glands and blanking plugs – also recommended when working with Ex applications.



Technical data

Material Brass, nickel-plated

Note

Ordering data

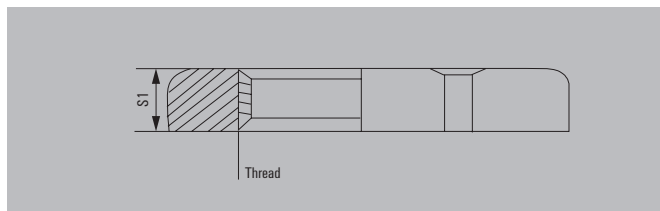
Type	Thread	S1	SW	Qty.	Order No.
metric					
SKMU M12 - MS	M 12	2.8	14	100	1772360000
SKMU M16 MS	M 16	2.8	19	100	1736990000
SKMU M20 MS	M 20	3	24	100	1737000000
SKMU M25 MS	M 25	3	28	100	1737010000
SKMU M32 MS	M 32	4	36	100	1737020000
SKMU M40 MS	M 40	4.5	44	50	1737030000
SKMU M50 MS	M 50	5	54	25	1737040000
SKMU M63 MS	M 63	6	70	25	1737050000
SKMU M75 MS	M 75	8	85	5	1737060000
PG					
SKMU PG7-MS	PG 7	2.8	15	100	1694070000
SKMU PG9-MS	PG 9	2.8	18	100	1694080000
SKMU PG11-MS	PG 11	3	21	100	1694090000
SKMU PG13,5-MS	PG 13.5	3	23	100	1694100000
SKMU PG16-MS	PG 16	3	26	100	1694110000
SKMU PG21-MS	PG 21	3.5	32	100	1719200000
SKMU PG29-MS	PG 29	4	41	50	1719210000
SKMU PG36-MS	PG 36	5	51	50	1719220000
SKMU PG42-MS	PG 42	5	60	25	1719230000
SKMU PG48-MS	PG 48	5.5	64	50	1719240000

Note Further versions on request

Lock nuts - Brass - Natural



A lock nut made from untreated brass is used to secure the brass cable glands and blanking plugs - also recommended when working with Ex applications.



Technical data

Material	Brass
Note	

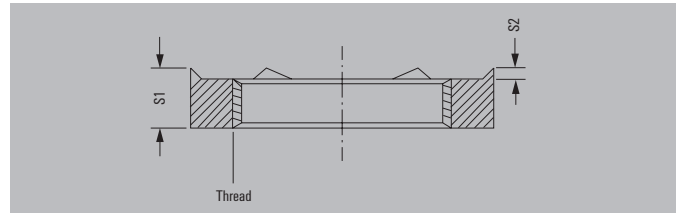
Ordering data

Type	Thread	S1	SW	Qty.	Order No.
metric					
SKMU M16 MS SC	M 16	4	22	50	0930640001
SKMU M20 MS SC	M 20	4	24	50	0930640002
SKMU M25 MS SC	M 25	4	30	25	0930640003
SKMU M32 MS SC	M 32	4	40	20	0930640004
SKMU M40 MS SC	M 40	4.5	50	10	0930640005
SKMU M50 MS SC	M 50	5	65	5	0930640006
SKMU M63 MS SC	M 63	6.5	75	5	0930640007
SKMU M75 MS SC	M 75	7	90	5	0930640008
Note					

Lock nuts - Brass - EMC



Serrated locks are used for securing brass cable glands and blanking plugs – specially equipped with 6 edges which contact the enclosure when the lock nut is tightened.



Technical data

Material	Brass, nickel-plated
Note	

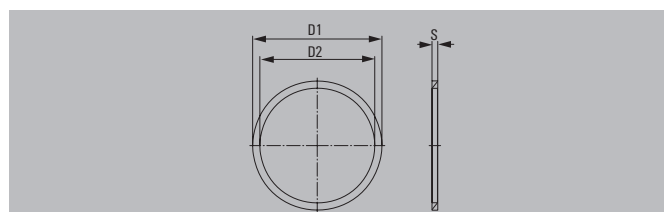
Ordering data

Type	Thread	S1	SW	Qty.	Order No.
metric					
SKMU EMV M12	M 12	3.6	15	100	1777610000
SKMU EMV M16	M 16	3.6	19	100	1777620000
SKMU EMV M20	M 20	3.6	24	100	1777630000
SKMU EMV M25	M 25	3.6	30	50	1777640000
SKMU EMV M32	M 32	4.1	36	50	1777650000
SKMU EMV M40	M 40	4.6	46	10	1777660000
SKMU EMV M50	M 50	4.6	60	10	1777670000
SKMU EMV M63	M 63	6.6	70	10	1777680000
PG					
SKMU EMV PG7	PG 7	4.7	15	20	1718900000
SKMU EMV PG9	PG 9	4.7	18	20	1718910000
SKMU EMV PG11	PG 11	4.7	21	20	1718920000
SKMU EMV PG13,5	PG 13,5	4.7	23	10	1718930000
SKMU EMV PG16	PG 16	4.7	26	10	1718940000
SKMU EMV PG21	PG 21	5.2	32	10	1718950000
SKMU EMV PG29	PG 29	5.7	41	15	1718960000
SKMU EMV PG 36	PG 36	4.6	51	1	1777710000
SKMU EMV PG 42	PG 42	4.6	58	1	1777700000
SKMU EMV PG 48	PG 48	5.6	64	1	1777690000
Note	Further versions on request				

Flat IP washer - Standard - Polyethylene



Flat IP washer for increasing the degree of protection for cable glands and blanking plugs. The IP washer is also suitable as a replacement for O-rings.



Technical data

Material / Colour	Polyethylene / Transparent
Temperature range	-30 °C...90 °C
Note	

Ordering data

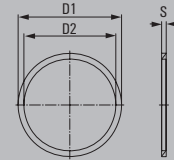
Type	Thread	D1	D2	S	Qty.	Order No.
metric						
GWDR M12-PO	M 12	16.00	12.00	2.00	50	1777920000
GWDR M16-PO	M 16	20.00	16.00	2.00	50	1777930000
GWDR M20-PO	M 20	24.00	20.00	2.00	100	1777940000
GWDR M25-PO	M 25	29.00	25.00	2.00	50	1777950000
GWDR M32-PO	M 32	36.00	32.00	2.00	50	1777960000
GWDR M40-PO	M 40	45.00	40.00	2.00	50	1777970000
GWDR M50-PO	M 50	56.00	50.00	2.00	50	1777980000
GWDR M63-PO	M 63	70.00	63.00	2.00	50	1777990000
PG						
GWDR PG7-PO	PG 7	16.50	12.50	2.00	100	1719440000
GWDR PG9-PO	PG 9	19.00	15.20	2.00	100	1719450000
GWDR PG11-PO	PG 11	22.50	18.60	2.00	100	1719460000
GWDR PG13,5-PO	PG 13.5	25.00	20.40	2.00	100	1719470000
GWDR PG16-PO	PG 16	27.00	22.50	2.00	100	1719480000
GWDR PG21-PO	PG 21	33.50	28.30	3.00	100	1719490000
GWDR PG29-PO	PG 29	43.50	37.00	3.00	50	1719500000
GWDR PG36-PO	PG 36	55.00	47.00	3.00	50	1719510000
GWDR PG42-PO	PG 42	63.00	54.00	3.00	10	1719520000
GWDR PG48-PO	PG 48	69.00	59.30	3.00	5	1719530000

Note Further versions on request

Flat IP washer - Standard - Neoprene



Flat gasket seal to increase the degree of protection for cable glands and blanking plugs - recommended for use in Ex applications. The seal is also suitable as a replacement for O-rings.



Technical data

Material / Colour	Neoprene / deep black / RAL 9005
Temperature range	-30 °C...100 °C

Note

Ordering data

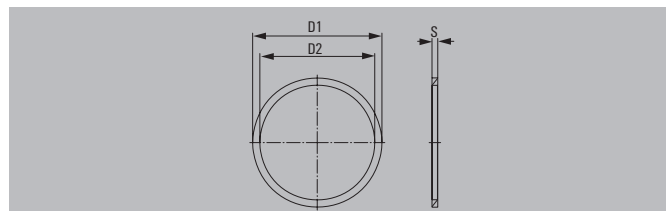
Type	Thread	D1	D2	S	Qty.	Order No.
metric						
GWDR M12-NP	M 12	18.00	12.00	1.20	50	1913320000
GWDR M16-NP	M 16	22.00	16.00	1.20	50	1736230000
GWDR M20-NP	M 20	24.00	20.00	1.20	50	1736240000
GWDR M25-NP	M 25	30.00	25.00	1.50	100	1736250000
GWDR M32-NP	M 32	42.00	32.00	1.50	50	1736260000
GWDR M40-NP	M 40	52.00	40.00	1.50	20	1736270000
GWDR M50-NP	M 50	63.00	50.00	1.50	20	1736280000
GWDR M63-NP	M 63	77.00	63.00	2.00	10	1736290000
PG						
GWDR PG7-NP	PG 7	17.00	11.60	1.20	100	1719540000
GWDR PG9-NP	PG 9	21.00	14.00	1.20	100	1719550000
GWDR PG11-NP	PG 11	24.00	17.00	1.20	100	1719560000
GWDR PG13,5-NP	PG 13.5	27.00	19.50	1.20	100	1719570000
GWDR PG16-NP	PG 16	30.00	22.50	1.20	100	1719580000
GWDR PG21-NP	PG 21	35.00	28.30	1.50	100	1719590000
GWDR PG29-NP	PG 29	45.00	37.00	1.50	50	1719600000
GWDR PG36-NP	PG 36	60.00	47.00	1.50	20	1719610000
GWDR PG42-NP	PG 42	65.00	54.00	1.50	10	1719620000
GWDR PG48-NP	PG 48	71.00	59.30	1.50	5	1719630000

Note Further versions on request

Flat IP washer - Standard - Nylon



Flat nylon IP washer, used for sealing large surfaces, for example around cable glands on enclosures.



Technical data

Material / Colour	Nylon 6 / traffic red / RAL 3020
Temperature range	-40 °C...135 °C
Note	

Ordering data

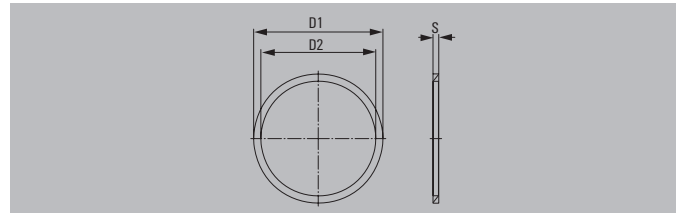
Type	Thread	D1	D2	S	Qty.	Order No.
metric						
KSWN M16	M 16	25.00	16.50	2.00	25	1076630000
KSWN M20	M 20	29.40	20.70	2.00	25	0930730002
KSWN M25	M 25	38.10	25.70	2.00	25	1076640000
KSWN M32	M 32	42.50	32.50	2.00	25	1076650000
KSWN M40	M 40	52.00	40.50	2.00	25	0899780000
KSWN M50	M 50	65.00	50.50	2.00	25	0900660000
KSWN M63	M 63	79.40	63.50	2.00	25	1076660000
KSWN M75	M 75	90.50	75.50	2.00	25	1076670000
Note						

Accessories - Flat IP washer

Flat IP washer - Standard - Vulcanised fibre



Flat nylon IP washer made from vulcanised fibre, used for sealing large surfaces, for example around cable glands on enclosures.



Technical data

Material / Colour	Vulcanized fibre / brown-red / RAL 3011
Temperature range	-40 °C...95 °C
Note	

Ordering data

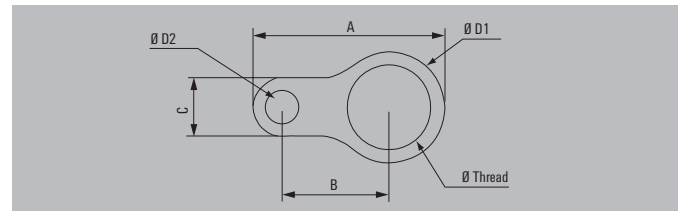
Type	Thread	D1	D2	S	Qty.	Order No.
metric						
KSWF M16	M 16	25.00	16.50	1.50	25	1076680000
KSWF M20	M 20	29.40	20.70	1.50	25	0899750000
KSWF M25	M 25	38.10	25.70	1.50	25	0899770000
KSWF M32	M 32	42.50	32.50	1.50	25	1076690000
KSWF M40	M 40	52.00	40.50	1.50	25	1076710000
KSWF M50	M 50	65.00	50.50	1.50	25	1076720000
KSWF M63	M 63	79.40	63.50	1.50	25	1076730000
KSWF M75	M 75	90.50	75.50	1.50	25	1076740000

Note	
-------------	--

Accessories - Earth tags - Brass - Nickel plated



Earth tags are best used when a cable shielding is being tightened onto the cable gland, and when it has the same potential as another cable gland on the enclosure.



Technical data

Material Brass, nickel-plated

Note

Ordering data

Type	Thread	A	B	C	D1	D2	Qty.	Order No.
EA-RING MS/M 16	M 16	48.75	30.00	13.00	24.50	6.75	20	1736480000
EA-RING MS/M 20	M 20	53.8	33.00	13.00	28.60	7.00	20	1736490000
EA-RING MS/M 25	M 25	61.5	36.00	17.00	34.00	10.50	20	1736500000
EA-RING MS/M 32	M 32	73	41.00	22.00	42.00	12.20	20	1736510000
EA-RING MS/M 40	M 40	86.5	44.50	30.00	54.00	13.50	10	1736520000
EA-RING MS/M 50	M 50	111.5	58.00	40.00	67.00	13.50	10	1736530000
EA-RING MS/M 63	M 63	125.5	67.00	40.00	77.00	13.50	10	1736540000
EA-RING MS/M 75	M 75	137.5	73.00	40.00	89.00	13.50	10	1736550000

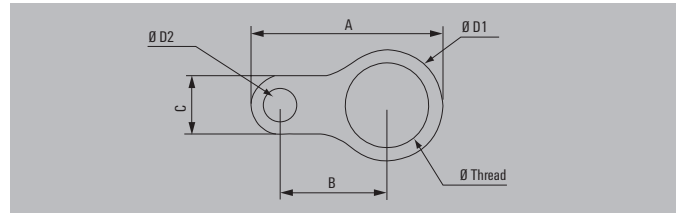
Note Further versions on request

Accessories - Earthing rings

Accessories - Earth tags - Brass - Natural



Earth tags are best used when a cable shielding is being tightened onto the cable gland, and when it has the same potential as another cable gland on the enclosure.



Technical data

Material	Brass
Note	

Ordering data

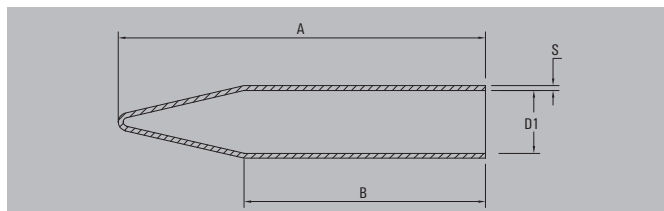
Type	Thread	A	B	C	D1	D2	Qty.	Order No.
EA-RING MS/M16 SC	M 16	50.8	31.80	12.80	25.40	6.90	20	0930710001
EA-RING MS/M20 SC	M 20	54	33.00	12.80	28.60	6.90	20	0930710002
EA-RING MS/M25 SC	M 25	60.2	36.50	12.80	34.80	6.90	20	0930710003
EA-RING MS/M32 SC	M 32	74.6	42.50	22.30	44.60	11.80	20	0930710004
EA-RING MS/M40 SC	M 40	86.7	45.40	31.70	53.00	13.50	10	0930710005
EA-RING MS/M50 SC	M 50	111	58.10	41.30	65.20	13.50	10	0930710006
EA-RING MS/M63 SC	M 63	128.7	66.80	41.30	82.60	13.50	10	0930710007
EA-RING MS/M75 SC	M 75	141.3	73.00	41.30	95.30	13.50	10	0930710008

Note Other versions on request

Accessories - Shrouds - Silicone



The cover shroud a cable gland before and after the installation. It also protects against external environmental influences.



Technical data

Material / Colour	Silicone / blue-grey / RAL 7031
Temperature range	-60 °C...200 °C
Hardness [IRHD]	60
Note	

Ordering data

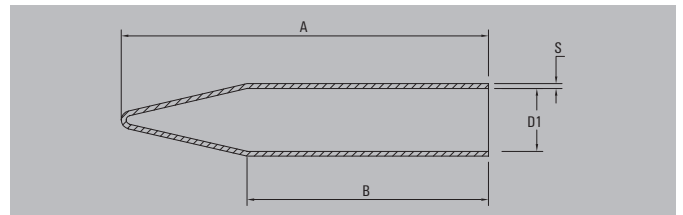
Type	A	B	D1	D2	S	Qty.	Order No.
metric							
KSP L24 S	123	70.00	25.00	28.00	1.50	10	0930700001
KSP L30 S	130	75.00	30.00	33.00	1.50	10	0930700002
KSP L38 S	130	75.00	37.00	40.00	1.50	10	0930700003
KSP L46 S	130	75.00	46.00	49.00	1.50	10	0930700004
KSP L55 S	150	85.00	55.00	58.00	1.50	10	0930700005
KSP L65 S	150	85.00	65.00	68.00	1.50	10	0930700006
KSP L80 S	150	85.00	80.00	84.00	2.00	10	0930700007
KSP L90 S	165	95.00	90.00	94.00	2.00	10	0930700008
KSP L 104 S	210	120.00	104.00	108.00	2.00	10	1193940000
KSP L114 S	210	120.00	114.00	118.00	2.00	10	1192790000

Note	
-------------	--

Accessories - Shrouds - PVC



The cover shroud a cable gland before and after the installation. It also protects against external environmental influences.



Technical data

Material / Colour	PVC / deep black / RAL 9005
Temperature range	-25 °C...70 °C
Hardness [Shore A]	65
Note	

Ordering data

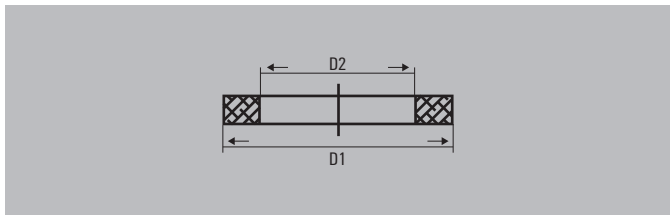
Type	A	B	D1	D2	S	Qty.	Order No.
metric							
KSP L24	123	70.00	25.00	29.00	2.00	10	1736570000
KSP L30	130	75.00	30.00	34.00	2.00	10	1736580000
KSP L38	130	75.00	37.00	41.00	2.00	10	1736590000
KSP L46	130	75.00	46.00	50.00	2.00	10	1736600000
KSP L55	150	85.00	55.00	59.00	2.00	10	1736610000
KSP L65	150	85.00	65.00	69.00	2.00	10	1736620000
KSP L80	150	85.00	80.00	84.00	2.00	10	1736630000
KSP L90	165	95.00	90.00	94.00	2.00	10	1736640000
KSP EL30	130	80.00	30.00	34.00	2.00	10	1736670000
KSP EL38	175	95.00	37.00	41.00	2.00	10	1736680000
KSP EL46	205	105.00	46.00	50.00	2.00	10	1076750000
KSP EL55	220	115.00	55.00	59.00	2.00	10	1076760000
KSP EL65	265	125.00	65.00	69.00	2.00	10	1076770000
KSP EL80	280	130.00	80.00	84.00	2.00	10	1076780000
KSP EL90	280	140.00	90.00	94.00	2.00	10	1076790000

Note *These shrouds have been specially designed for the Klippon® KDSU and Klippon® KUB cable glands.

Accessories - Serrated washers, Stainless steel



Serrated stainless-steel washers to prevent mounted cable glands from loosening. Can also be used to roughen painted or passivated surfaces.



Technical data

Material	Stainless steel 1.4404 (316L)
Note	

Ordering data

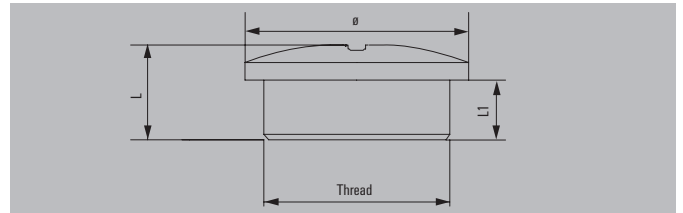
Type	Thread	D1	D2	Qty.	Order No.
metric					
SZS M16	M 16	25.50	17.30	50	1736300000
SZS M20	M 20	32.40	21.30	10	1736310000
SZS M25	M 25	37.40	25.30	10	1736320000
SZS M32	M 32	48.00	33.00	10	1736330000
SZS M40	M 40	60.00	41.00	5	1736340000
SZS M50	M 50	71.00	51.00	5	1736350000
SZS M63	M 63	87.00	64.00	5	1736360000
Note					

Blanking plugs

Blanking plugs - Plastic



Plastic blanking plug with cross-head is used to seal surplus threaded holes and to maintain the IP protection degree.



Technical data

Material / Colour	Polyamid 6 (PA6 - GF30) / Light Grey / RAL 7035
Temperature range	-40 °C...100 °C
Protection class	IP54
Flammability rating	V-2
Note	Optional sealing ring

Ordering data

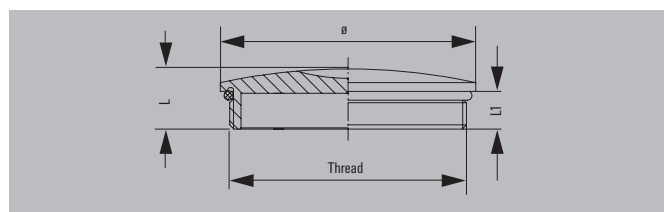
Type	Thread	L	L1	Head Ø	Qty.	Order No.
metric						
VP M12 K54	M 12	5.5	6	15.00	100	1776930000
VP M16 K54	M 16	5.5	7	20.00	100	1776920000
VP M20 K54	M 20	6.5	7	24.00	100	1776910000
VP M25 K54	M 25	7	10	30.00	100	1776900000
VP M32 K54	M 32	7	11	37.00	50	1776940000
VP M40 K54	M 40	7	13	46.00	25	1776950000
VP M50 K54	M 50	8.5	14	56.00	10	1776960000
VP M63 K54	M 63	8.5	15	69.50	50	1776970000
PG						
VP 7-K54	PG 7	8	6	15.00	100	1719250000
VP 9-K54	PG 9	9.5	5	19.00	100	0294760000
VP 11-K54	PG 11	10	6.5	22.00	100	0294860000
VP 13,5-K54	PG 13.5	10	5	25.00	100	0294960000
VP 16-K54	PG 16	10	5	27.00	100	0295060000
VP 21-K54	PG 21	12	8	33.00	50	0295160000
VP 29-K54	PG 29	11.5	8	44.00	50	0501160000
VP 36-K54	PG 36	14	10	55.00	10	0501260000
VP 42-K54	PG 42	14	10	62.00	5	0501360000
VP 48-K54	PG 48	16	12	69.00	5	1719260000

Note Other versions available on request. The blanking plugs must be tightened „hand-tight“ with the screwdriver.

Blanking plugs - Brass - Nickel-plated



Brass blanking plug with cross-head is used to seal surplus threaded holes and to maintain the IP protection degree.



Technical data

Material	Brass, nickel-plated
O-Ring	NBR
Temperature range	-40 °C...100 °C
Protection class	IP68

Note

Ordering data

Type metric	Thread	L	L1	Head Ø	Qty.	Order No.
VP M12-MS65	M 12	7.5	5	14.00	100	1777720000
VP M16-MS65	M 16	8	5	18.00	100	1777730000
VP M20-MS65	M 20	9.5	6	22.00	100	1777740000
VP M25-MS65	M 25	11	7	28.00	100	1777750000
VP M32-MS65	M 32	12	8	35.00	50	1777760000
VP M40-MS65	M 40	13	8	44.00	50	1777770000
VP M50-MS65	M 50	15	9	54.00	25	1777780000
VP M63-MS65	M 63	16	10	67.00	10	1777790000
PG						
VP 7-MS65	PG 7	7.5	5	15.00	100	0521600000
VP 9-MS65	PG 9	8	5	18.00	100	0294700000
VP 11-MS65	PG 11	8	5	22.00	100	0294800000
VP 13,5-MS65	PG 13,5	9	6	24.00	100	0294900000
VP 16-MS65	PG 16	9	6	26.00	100	0295000000
VP 21-MS65	PG 21	10	6	32.00	50	0295100000
VP 29-MS65	PG 29	12	8	40.00	50	0501100000
VP 36-MS65	PG 36	15	9	50.00	25	0501200000
VP 42-MS65	PG 42	16	10	57.00	25	0501300000
VP 48-MS65	PG 48	16	10	64.00	10	1719270000

Note

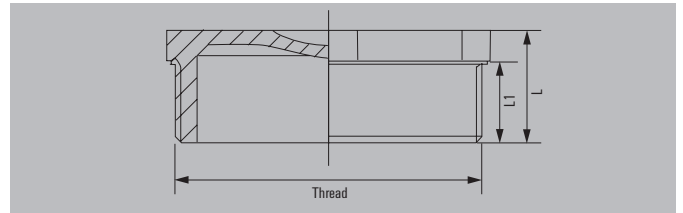
Other versions available on request. The blanking plugs must be tightened „hand-tight“ with the screwdriver.

Ex - Blanking plugs

Blanking plugs - Plastic - Ex e



Blanking plug with cross-head is used to seal surplus threaded holes and to maintain the IP protection degree – especially for Ex-e Ex applications.



Technical data

Material / Colour	Polyamide / deep black / RAL 9005
Temperature range	-20 °C...80 °C
Protection class	IP66
Protection degree with GWDR	IP68
UL 94 flammability rating	V-2
Marking	Ex e II, Ex tD
Note	Optional sealing ring

Ordering data

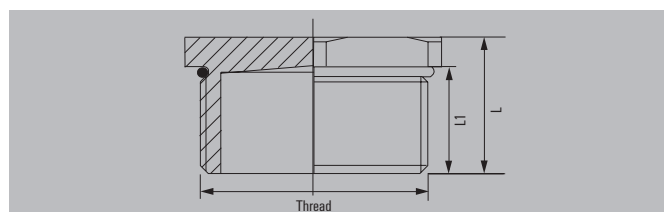
Type	Thread	L	L1	SW	Qty.	Order No.
VP M16-EXE SW	M 16	19	15	19	100	1737070000
VP M20-EXE SW	M 20	19	15	23	100	1737080000
VP M25-EXE SW	M 25	20	15	28	100	1737090000
VP M32-EXE SW	M 32	20.5	15	36	100	1737100000
VP M40-EXE SW	M 40	20.5	15	44	10	1737110000
VP M50-EXE SW	M 50	21	15	54	5	1737120000
VP M63-EXE SW	M 63	23.5	15	67	5	1737130000

Note Refer to the enclosed installation instructions for the tightening torque.

Blanking plugs - Brass - Ex e, Ex d



Blanking plug is used for sealing surplus threaded holes to ensure the IP protection degree - especially for Ex-e and Ex-d applications.



Technical data

Material	Brass, nickel-plated
O-Ring	NBR
Temperature range	-40 °C...100 °C
Protection class	IP68
Marking	II 2 GD, Ex d IIC, Ex e II, Ex tD
Note	

Ordering data

Type metric	Thread	L	L1	SW	Qty.	Order No.
VP M16 EXE MS	M 16	15	12	18	50	1210890000
VP M20 EXE MS	M 20	15	12	23	50	1210900000
VP M25 EXE MS	M 25	15.5	12	29	25	1210910000
VP M32 EXE MS	M 32	16	12	39	10	1210920000
VP M40 EXE MS	M 40	19	15	45	10	1210930000
VP M50 EXE MS	M 50	20	15	58	5	1210940000
VP M63 EXE MS	M 63	26	19	70	5	1210950000

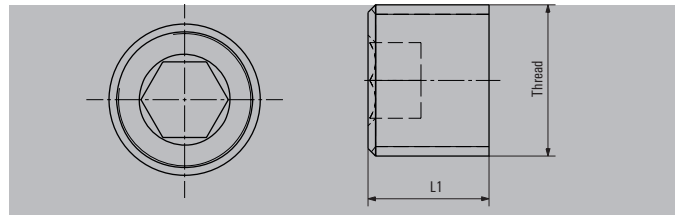
Note Refer to the enclosed installation instructions for the tightening torque.

Ex - Blanking plugs

Blanking plugs - Brass - Ex e, Ex d, IP54



The KSPA is a blanking plug with a hexagon socket. It is used to seal unused threaded holes so that cable glands can be inserted in the future. The KSPA is approved for use for the pressure-resistant Ex d encapsulation.



Technical data

Material	Brass, nickel-plated
Temperature range	-100 °C...400 °C
Protection class	IP54, IP66
Marking	Ex d IIC Gb, Ex e IIC Gb

Note

Ordering data

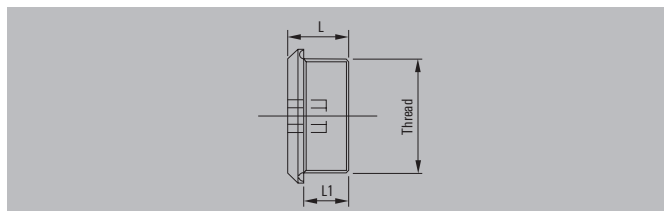
Type	Thread	L1	Qty.	Order No.
KSPA M16 BNI	M 16	17	20	1477650000
KSPA M20 BNI	M 20	17	20	1477670000
KSPA M25 BNI	M 25	17	20	1477680000
KSPA M32 BNI	M 32	17	10	1477690000
KSPA M40 BNI	M 40	17	10	1477700000
KSPA M50 BNI	M 50	17	1	1477710000
KSPA M63 BNI	M 63	17	1	1477720000
KSPA M75 BNI	M 75	17	1	1477730000

Note

Blanking plugs - Brass and Stainless steel - Ex e, Ex d, IP66 / IP68



The KSPMH is a mushroom-shaped blanking plug with a hexagon socket. It is used to seal unused threaded holes so that cable glands can be inserted in the future. The KSPMH is approved for pressure-resistant Ex d encapsulations and increased safety Ex e applications.



Technical data

O-Ring	Silicone
Temperature range	-60 °C...200 °C
Protection class	IP66, IP68, NEMA 4x
Marking	Ex d IIC Gb, Ex e IIC Gb, Ex tb IIIC Db
Note	

Ordering data

Type	Thread	L	L1	Qty.	Order No.
brass					
KSPMH M16 BSC	M 16	21.5	16	20	1477740000
KSPMH M20 BSC	M 20	21.5	16	20	1477750000
KSPMH M25 BSC	M 25	21.5	16	20	1477770000
KSPMH M32 BSC	M 32	21.5	16	10	1477780000
KSPMH M40 BSC	M 40	21.5	16	10	1477790000
KSPMH M50 BSC	M 50	21.5	16	1	1477800000
KSPMH M63 BSC	M 63	21.5	16	1	1477810000
KSPMH M75 BSC	M 75	21.5	16	1	1477830000
Stainless steel					
KSPMH M16 SSC	M 16	21.5	16	20	1477820000
KSPMH M20 SSC	M 20	21.5	16	20	1477840000
KSPMH M25 SSC	M 25	21.5	16	20	1477870000
KSPMH M32 SSC	M 32	21.5	16	10	1477890000
KSPMH M40 SSC	M 40	21.5	16	10	1477910000
KSPMH M50 SSC	M 50	21.5	16	1	1477930000
KSPMH M63 SSC	M 63	21.5	16	1	1477950000
KSPMH M75 SSC	M 75	21.5	16	1	1477980000

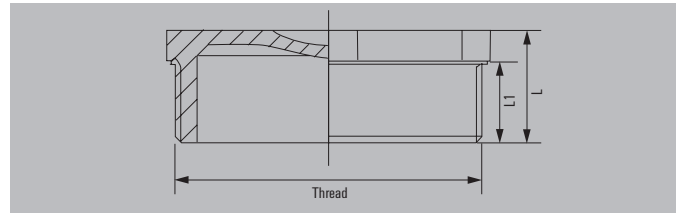
Note	
-------------	--

Ex - Blanking plugs

Blanking plugs - Plastic - Ex e, IP66



For secure connection of unused screw-in threads or through-hole in enclosures. For Ex e applications with an impact resistance of 7 Joule in accordance with IEC60079-0.



Technical data

Material / Colour	Polyamide 6 / deep black / RAL 9005
O-Ring	Silicone
Temperature range	-60 °C...70 °C
Protection class	IP54, IP66, IP67, IP68 - 5 bar (30 min.)
Impact resistance	7 joules in acc. with IEC60079-0
Marking	Ex e IIC Gb, Ex tb IIIC Db IP66/68
Note	

Ordering data

Type	Thread	L	L1	SW	Qty.	Order No.
VP M12 EX SI 7J	M 12	15	10	15	100	2066710000
VP M16 EX SI 7J	M 16	16.3	12	19	100	2066720000
VP M20 EX SI 7J	M 20	17	11	23	100	2066730000
VP M25 EX SI 7J	M 25	15.8	10	28	100	2066740000
VP M32 EX SI 7J	M 32	22.8	15	36	100	2066750000
VP M40 EX SI 7J	M 40	26.5	18	46	20	2066760000
VP M50 EX SI 7J	M 50	27.5	18	55	20	2066770000
VP M63 EX SI 7J	M 63	27.5	18	69	20	2066940000

Note

Adaptors with NPT male threads



Adaptors can be used to connect threaded holes and cable glands of different thread sizes and types.

Technical data

Material	Brass, nickel-plated
Temperature range	-40 °C...100 °C
Protection class	IP54
Marking	II 2 GD, Ex d IIC, Ex e II, Ex tD

Ordering data

External thread	1/2" NPT	3/4" NPT	1" NPT	1 1/4" NPT	1 1/2" NPT	2" NPT	2 1/2" NPT	3" NPT
Inner thread	Order No.	Order No.	Order No.	Order No.	Order No.	Order No.	Order No.	Order No.
M16	1737490000							
M20	1737650000	1737640000	1737630000			1737600000		
M25	1737810000	1737800000	1737790000			1737760000	1737750000	
M32		1737950000				1737910000		1737890000
M40			1738070000			1738040000		
M63						1738240000		1738220000
1/2" NPT		1738400000	1738390000		1738370000			
3/4" NPT	1738570000		1738550000		1738530000			
1" NPT				1738690000	1738680000			
1 1/4" NPT						1738790000		
1 1/2" NPT						1738910000		
Note	Qty. = 1							

Adaptors

Adaptors with metric male threads



Adaptors can be used to connect threaded holes and cable glands of different thread sizes and types.

D

Technical data

Material	Brass, nickel-plated
Temperature range	-40 °C...100 °C
Protection class	IP54
Marking	II 2 GD, Ex d IIC, Ex e II, Ex tD

Ordering data

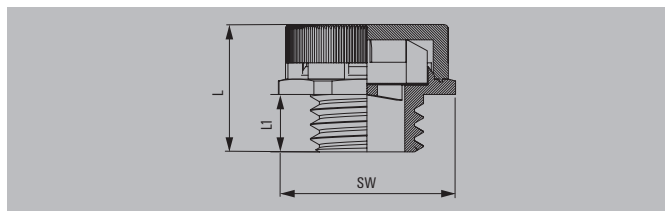
External thread	M16	M 20	M 25	M 32	M 40	M 50	M 63	M 75
Inner thread	Order No.	Order No.	Order No.	Order No.	Order No.	Order No.	Order No.	Order No.
M16		1737560000	1737550000	1737540000	1737530000			
M20	1737730000	1737720000	1737710000	1737700000	1737690000	1737680000	1737670000	
M25		1737880000			1737860000	1737850000	1737840000	1737830000
M32			1738010000			1737990000	1737980000	1737970000
M40				1738120000			1738100000	1738090000
M50					1738210000		1738190000	1738180000
M75						1738280000	1738330000	1738260000
1/2" NPT		1738480000		1738460000	1738450000	1738440000	1738430000	1738420000
3/4" NPT		1738640000	1738630000		1738610000	1738600000	1738590000	1738580000
1" NPT			1738760000	1738750000	1738740000	1738730000	1738720000	1738710000
1 1/4" NPT				1738870000		1738850000	1738840000	1738830000
1 1/2" NPT							1738940000	1738930000
2" NPT								1739010000
2 1/2" NPT							1739080000	1739070000
3" NPT								1739110000

Note Qty. - 1

Compensation elements - Plastic - DAE



The DAE pressure-compensation element provides good ventilation for the enclosure and prevents moisture build-up. At the same time it maintains the high IP69k protection level. The membrane repels water and oil.



Technical data

Material / Colour	Polyamide 6 / deep black / RAL 9005
O-Ring	NBR
Temperature range	-40 °C...105 °C
Protection class	IP66, IP68, IP69K
Air flow	0.8 l/min at 0.1 bar ΔP , up to 7.6 l/min at 1bar ΔP
Wasser inlet point	> 1.5 bar
UL 94 flammability rating	V-2
Note	

Ordering data

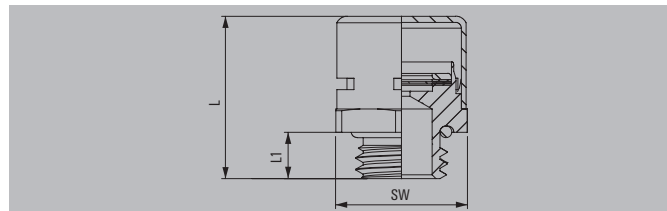
Type	Thread	L	L1	SW	Qty.	Order No.
metric						
DAE M12 PA long	M 12	17.4	10	17	10	1868570000
DAE M12 PA short	M 12	13.4	6	17	10	1868560000
Note	Light grey version - RAL 7035 - on request					

Compensating elements

Compensation elements - Stainless steel - DAE



The DAE pressure-compensation element provides good ventilation for the enclosure and prevents moisture build-up. At the same time it maintains the high IP69k protection level. The membrane repels water and oil.

D
Technical data

Material	Stainless steel 1.4305 (303)
O-Ring	NBR
Temperature range	-40 °C...105 °C
Protection class	IP66, IP68, IP69K
Air flow	0.4 l/min at 0.1 bar ΔP, up to 5.0 l/min at 1bar ΔP
Wasser inlet point	> 1.5 bar
Note	

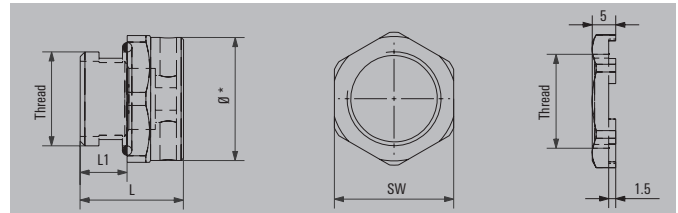
Ordering data

Type	Thread	L	L1	SW	Qty.	Order No.
metric						
DAEM12 SS	M 12	21.1	10	17	10	1868550000
Note						

Breather drains – Klippon® BDx



The BDx compensating element is used for ventilating the enclosure and preventing a build up of moisture, particularly in Ex applications.



Technical data

Material	Stainless steel 1.4404 (316L) or brass CuZnPb (CZ121)
IP class	IP66
Impact resistance	20 J
Filter	sintered bronze
Flow rate	0.25 Litres per hour
Sealing ring	silicone O-ring
Temperature range	-60 °C to +200 °C
Plating	natural
Torque	10 Nm

Note

- The breather-drain is only to be fitted on the bottom side of the enclosure, aligned vertically with the thread upwards, and at the lowest point to permit proper drainage.
- Fully assembly instructions are supplied with the breather drain. The instructions must be read prior to installation and adhered to in full.
- The water flow rate has been tested by a water filled empty enclosure (no pressure or heat producing internal components). The water flow rate can slightly differ by influences from operational parameter and environmental conditions.

Ordering data

Type	Material	Thread	L/L1	SW	Diameter Ø*	Order No.
KLIPPON BDx M20 B	brass	M20 x 1.5	22/10	27	26.2	1292540000
KLIPPON BDx M20 S	stainless steel	M20 x 1.5	22/10	27	26.2	1292530000
KLIPPON BDx M20X15 S	stainless steel	M20 x 1.5	27/15	27	26.2	1344630000
Note	Dimensions in mm					

Cable entry system

Cable entry system	Cable entry system	E.2
	Cable grommets	E.3
	Cable entry strips and panels	E.4
	Strain-relief strips	E.9
	Separable cable gland	E.10

Cable entry system

Would you prefer to connect a pre-assembled cable to an installation enclosure or cabinet, or install it later, without having to dismantle the plug or cut it from the cable? If so, you can save time and money by using our modular Cabtite cable entry system. These systems are a combination of splittable cable entry strips or cable glands connected with clamping grommets.

The use of split, captive grommets allows different diameters to be fed into the enclosure whilst simultaneously guaranteeing IP 54 protection and strain relief. Thanks to the fact that they have the same design and dimensions, the modular components and grommets can be used in cable entry strips as well as in cable glands. The system is found particularly in measurement, power, computer lines or field bus systems in the areas of:

- Control engineering
- Switchgear cabinet manufacture
- Motor vehicle manufacture
- Systems engineering
- Mechanical engineering
- Electrical installation

Cabtite KEL SNAP frame

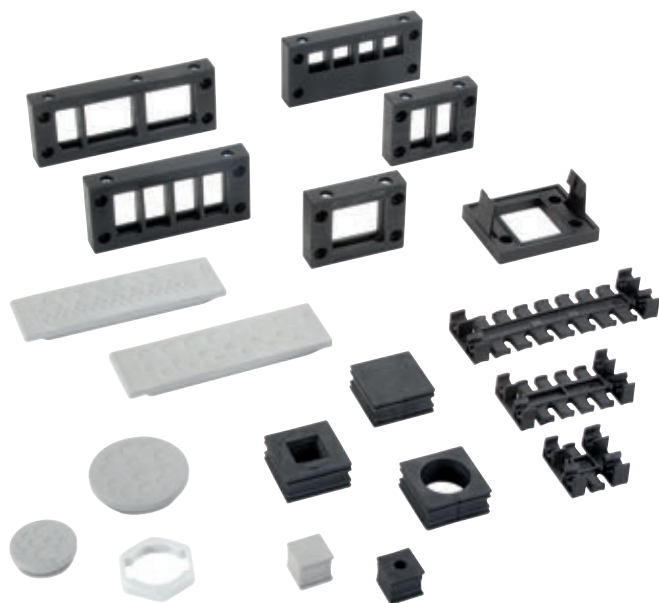


Separable cable gland Cabtite KVT



Cabtite sample set

Get a feel for the Cabtite system with our Cabtite sample set. It contains cable entry frames, snap frames, separable cable glands as well as diverse cable grommets.



Ordering data

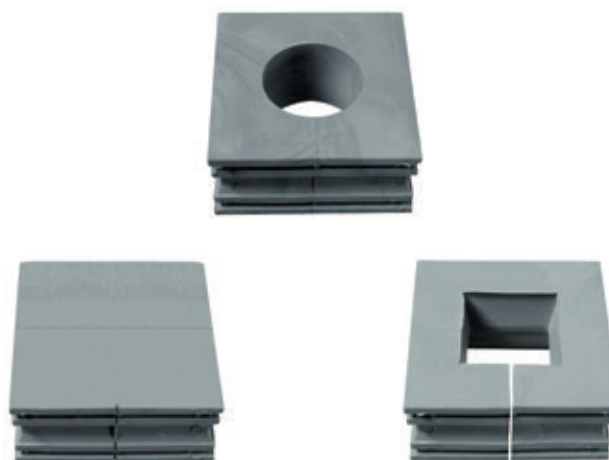
Type	Qty.	Order No.
Cabtite Sample Kit	1	1849780000

HDC KT – Cable grommets, small



Cable grommets for ASI cables

HDC KT – Cable grommets, large



Blanking plugs

Adapter grommet

Technical data

Material, grey	Elastomers, free from halogens and silicone
Material, black	Elastomers with very high chemical resistance
Temperature range, grey	-40 °C to +90 °C (static)
Temperature range, black	-30 °C to +90 °C (static)
UL 94 flammability rating	V0 grey, HB black

Technical data

Material, grey	Elastomers, free from halogens and silicone
Material, black	Elastomers with very high chemical resistance
Temperature range, grey	-40 °C to +90 °C (static)
Temperature range, black	-30 °C to +90 °C (static)
UL 94 flammability rating	V0 grey, HB black

Ordering data

Type	Clamping range [mm]	Qty.	Order No. grey	Order No. black
HDC KT 3	3-4	10	1826460000	1827790000
HDC KT 4	4-5	10	1826470000	1827800000
HDC KT 5	5-6	10	1826480000	1827810000
HDC KT 6	6-7	10	1826490000	1827830000
HDC KT 7	7-8	10	1826500000	1827840000
HDC KT 8	8-9	10	1826510000	1827850000
HDC KT 9	9-10	10	1826520000	1827860000
HDC KT 10	10-11	10	1826530000	1827870000
HDC KT 11	11-12	10	1826540000	1827880000
HDC KT 12	12-13	10	1826550000	1827890000
HDC KT 13	13-14	10	1826560000	1827900000
HDC KT 14	14-15	10	1826570000	1827910000
HDC KT 15	15-16	10	1826580000	1827920000
HDC KTS 16	16-17	10	1826590000	1827930000
HDC KTS 17	17-18	10	1826600000	1827940000
for ASI cables				
HDC KT-ASI		10	1826610000	1828120000
2 or 4 openings				
HDC KT 2/4	2 x 4	10	1826620000	1828130000
HDC KT 2/5	2 x 5	10	1826630000	1828140000
HDC KT 2/6	2 x 6	10	1826640000	1828150000
HDC KT 4/5	4 x 5	10	1826650000	1828160000
Blanking plugs, small				
HDC BTK		10	1828170000	1828200000

Ordering data

Type	Clamping range [mm]	Qty.	Order No. grey	Order No. black
HDC KT 16	16-17	10	1825950000	1827950000
HDC KT 17	17-18	10	1826300000	1827960000
HDC KT 18	18-19	10	1826310000	1827970000
HDC KT 19	19-20	10	1826320000	1827980000
HDC KT 20	20-21	10	1826330000	1827990000
HDC KT 21	21-22	10	1826340000	1828000000
HDC KT 22	22-23	10	1826350000	1828010000
HDC KT 23	23-24	10	1826360000	1828020000
HDC KT 24	24-25	10	1826370000	1828030000
HDC KT 25	25-26	10	1826380000	1828040000
HDC KT 26	26-27	10	1826390000	1828050000
HDC KT 27	27-28	10	1826400000	
HDC KT 28	28-29	10	1826410000	1828070000
HDC KT 29	29-30	10	1826420000	1828080000
HDC KT 30	31-32	10	1826430000	1828090000
HDC KT 32	32-33	10	1826440000	1828100000
HDC KT 34	33-34	10	1826450000	1828110000
Adapter grommet, large (for small cable grommets)				
HDC ATG		10	1828190000	1828220000
Blanking plugs, large				
HDC BTG		10	1828180000	1828210000

Cabtite KEL

Cabtite KEL

The rectangular panel cutout frames fit exactly into the standard cutout for heavy-duty connectors. This makes it possible to accommodate up to 40 connectors in a very confined space.

- Feeds through prefabricated wiring in confined spaces.
- Two-piece, two-tier system
- Fast and easy mounting
- Standard panel cutout frames for 16 and 24 pole industrial plug-in connectors
- The predefined gap achieves a minimum class of protection of IP 54
- Large numbers of cables in very confined spaces
- Retrofitting of prefabricated wiring also possible
- The manufacturer's guarantee covering the prefabricated cables remains valid
- Integral strain relief to VDE 0619
- Locknuts ensure that working "overhead" is safe and simple

Cabtite KEL SNAP frame

Snap frame for mounting the cable entry frame in the switchgear cabinet.

- The KEL can be fitted quickly without tools
- The KEL need not be fitted or removed to add or remove individual cables
- The drilling pattern is identical with that of the KEL
- Seals are already integrated on both sides
- Switchgear cabinets can be fitted with KEL SNAP in advance
- KEL Snap is available for KEL 16, KEL 24 and KEL B4.

Cabtite KEL-DP

The Cabtite KEL-DP feed-through plate system offers an affordable alternative to standard cable glands. It is ideal when multiple cables must be connected within an installation enclosure and when IP 54 protection is adequate. Weidmüller offers this system with round and rectangular entry plates. The entry plates are simply pressed into the standard cut-outs. The position of the system is centred by means of integrated spring-loaded pins.

The advantages of this system are clear:

- High packing density
- Affordable
- Simple, tool free installation in seconds
- Very low profile

Operating mode

1. The grommet is fitted around the cable.

Important:

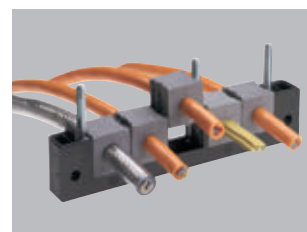
Choose an appropriately sized grommet for the diameter of the cable!



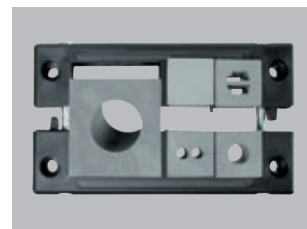
2. Press the grommet with the cable into the open cable entry frame..

Important:

The flat side of the grommet must face upwards!



3. Assemble the two halves of the cable entry frame using the M5x50 Allen screws supplied. This achieves integral strain relief in accordance with VDE 0619 (VDE = German Association for Electrical, Electronic and Information Technologies).



4. Finally, the rubber seal is glued around the cabinet panel cutout and the cable entry frame is secured with 4 screws. The cable entry is now complete, and has a protection class of IP 54!



Advantage: The panel cutout frames are the same as those used for heavy-duty connectors. They are supplied by the switchgear cabinet manufacturers. You do not require a new punching die!



HDC KEL 16

Size equivalent to 16-pole HE inserts

KEL 16/8 with 8 small grommets



KEL 16/4 closed half-shell and 4 small grommets



Snap frame
KEL 16 SNAP



HDC KEL 24

Size equivalent to 24-pole HE inserts

KEL 24/10 with 10 small grommets



KEL 24/7 with 1 large and 6 small grommets



Snap frame
KEL 24 SNAP



Technical data

Material	Polyamide, free from halogens and silicone
Colour	black
Temperatur range	-40 °C to +140 °C (static)
Class of protection	IP 54, when the correct cable grommet is selected
UL 94 flammability rating	V0

Technical data

Material	Polyamide, free from halogens and silicone
Colour	black
Temperatur range	-40 °C to +140 °C (static)
Class of protection	IP 54, when the correct cable grommet is selected
UL 94 flammability rating	V0

Ordering data

Type	Number of grommet positions		Qty.	Order No.
	small	large		
HDC KEL 16/2	-	2	10	1825860000
HDC KEL 16/4	4	- *)	10	1825900000
HDC KEL 16/5	4	1	10	1849770000
HDC KEL 16/8	8	-	10	1825910000
Snap frame				
HDC KEL 16 SNAP			10	1827770000

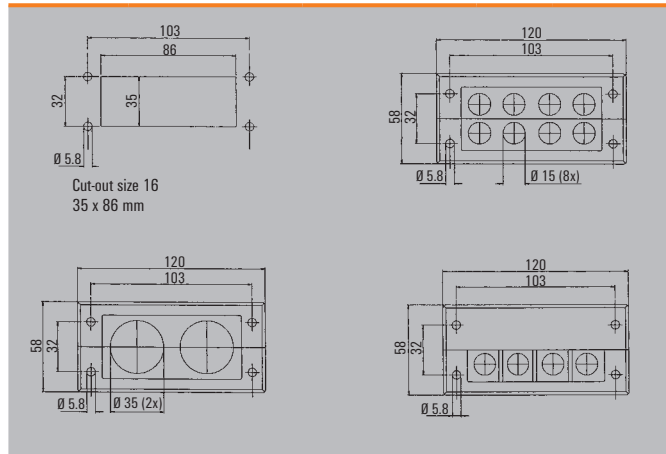
*) with closed half shell

Ordering data

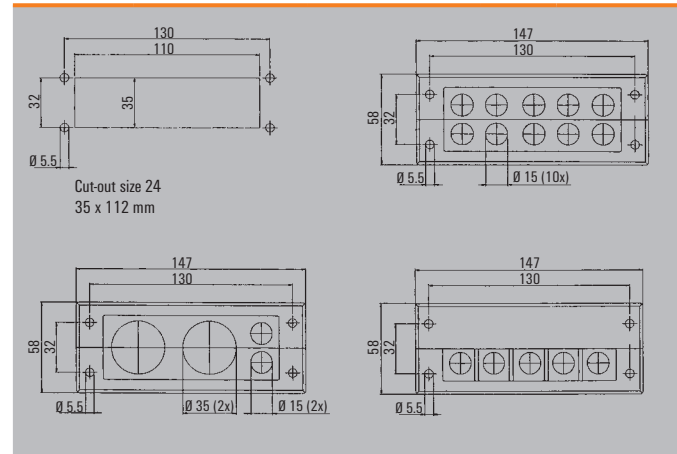
Type	Number of grommet positions		Qty.	Order No.
	small	large		
HDC KEL 24/4	2	2	10	1825930000
HDC KEL 24/5	5	- *)	10	1825940000
HDC KEL 24/7	6	1	10	1849760000
HDC KEL 24/10	10	-	10	1827760000
Snap frame				
HDC KEL 24 SNAP			10	1827780000

*) with closed half shell

Dimensions



Dimensions



HDC KEL B

KEL B 1 with 1 large grommet



KEL B 4 with 4 small grommets



Snap frame KEL-SNAP B4



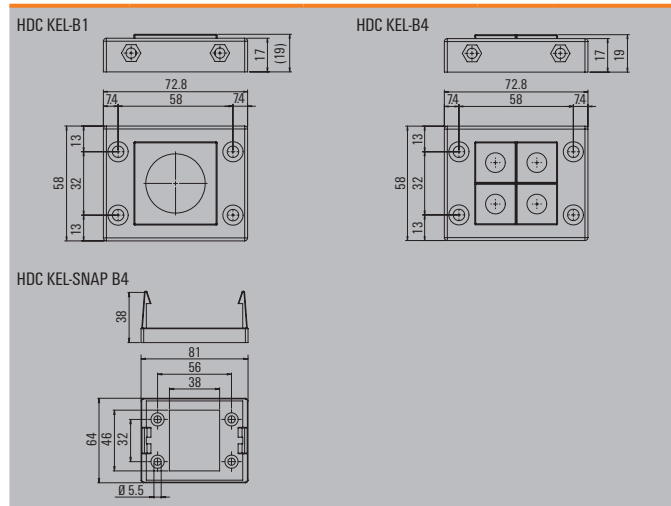
Technical data

Material	Polyamide, free from halogens and silicone
Colour	black
Temperatur range	-40 °C to +140 °C (static)
Class of protection	IP 54, when the correct cable grommet is selected
UL 94 flammability rating	V0

Ordering data

Type	Number of grommet positions		Qty.	Order No.
	small	large		
HDC KEL-B1	-	1	10	1048170000
HDC KEL-B4	4	-	10	1048180000
Snap frame				
HDC KEL-SNAP B4			10	1048190000

Dimensions



HDC KEL DP - Rectangular version

Rectangular cable entry plates (112 x 36 mm)

CABTITE KEL-DP 24/14



CABTITE KEL-DP 24/17



CABTITE KEL-DP 24/19



CABTITE KEL-DP 24/26



CABTITE KEL-DP 24/48



CABTITE KEL-DP 24/50



Technical data

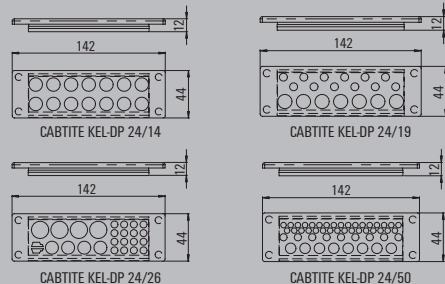
Material	Elastomers, free from halogens and silicone
Colour	grey
Temperatur range	-40 °C to +90 °C (static)
Class of protection	IP 64
UL 94 flammability rating	VO

Ordering data

Rectangular version (112 x 36 mm)			
Type	Number of lines with maximum diameter (in mm)	Qty.	Order No.
CABTITE KEL-DP 24/14	14 x max. 12.1 mm	1	1039850000
CABTITE KEL-DP 24/17	12 x max. 12.6 mm 5 x max. 10.5 mm	1	1039870000
CABTITE KEL-DP 24/19	7 x max. 12.1 mm 12 x max. 6.5 mm	1	1039890000
CABTITE KEL-DP 24/26	2 x ASI cables 16 x max. 6.5 mm 4 x max. 12.1 mm 4 x max. 16.1 mm	1	1039930000
CABTITE KEL-DP 24/48	48 x max. 6.5 mm	1	1039940000
CABTITE KEL-DP 24/50	33 x max. 5.3 mm 9 x max. 6.4 mm 8 x max. 8.3 mm	1	1039950000

Dimensions

Cut-out size KEL-DP 24
112 x 36 mm
1.5 - 4.0 mm sheet thickness



HDC KEL DP - Round version

Round cable entry plates

CABTITE KEL-DP 32/10



CABTITE KEL-DP 50/9



CABTITE KEL-DP 50/12



CABTITE KEL-DP 50/16



CABTITE KEL-DP 50/18



CABTITE KEL-DP 50/20



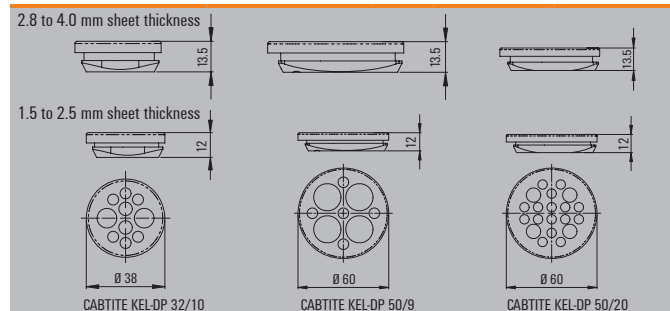
Technical data

Material	Elastomers, free from halogens and silicone
Colour	grey
Temperatur range	-40 °C to +90 °C (static)
Class of protection	IP 65
UL 94 flammability rating	VO

Ordering data

Round version				
Type	Number of lines with maximum diameter (in mm)	Qty.	Order No. for sheet thickness of 2.8-4.0 mm	Order No. for sheet thickness of 1.5-2.5 mm
CABTITE KEL-DP 32/10	6 x max. 5.2 mm 2 x max. 6.4 mm 2 x max. 9.4 mm	1	1040120000	1040310000
CABTITE KEL-DP 50/9	5 x max. 7.0 mm 4 x max. 18.0 mm	1	1040130000	1040320000
CABTITE KEL-DP 50/12	10 x max. 9.2 mm 2 x max. 11.2 mm	1	1040160000	1040330000
CABTITE KEL-DP 50/16	4 x max. 5.3 mm 5 x max. 6.3 mm 3 x max. 9.5 mm 4 x max. 11.3 mm	1	1040180000	1040350000
CABTITE KEL-DP 50/18	5 x max. 11.5 mm 5 x max. 9.0 mm 4 x max. 6.5 mm 2 x max. 5.5 mm 2 x max. 4.0 mm	1	1040210000	
CABTITE KEL-DP 50/20	16 x max. 6.3 mm 4 x max. 9.3 mm	1	1040240000	1040370000

Dimensions



Cable entry strips and panels

Cable clamping rail Cabtite KEL-EMV

Provides electromagnetic protection for prefabricated cable without interrupting shielding.

Advantages:



- Direct, simple and quick contact with the enclosure
- Two-tier version saves space with up to 10 cables
- Strain relief without cable ties in accordance with VDE 0619
- No EMC cable glands necessary for mains-generated interference sources
- Low-impedance shielding contact
- Seals using outer sheath and not the shield = higher class of protection!
- Trouble-free retrofitting



Technical data

Material	Stainless steel
----------	-----------------

Ordering data

Type	for	Qty.	Order No.
 HDC KEL EMV 16/4	KEL 16	10	1825750000
 HDC KEL EMV 24/5	KEL 24	10	1825760000

Strain-relief strips

The Cabtite KZL strain-relief strips are used when routing various types of cables to machines and electrical cabinets. A secure grip is ensured by the undercut on the comb-shaped profile. Cable ties provide strain relief for the cables. Undercuts in the teeth of the KZL prevent the cable tie from slipping out.

HDC KZL

CABTITE KZL 140



CABTITE KZL 80



CABTITE KZL 39



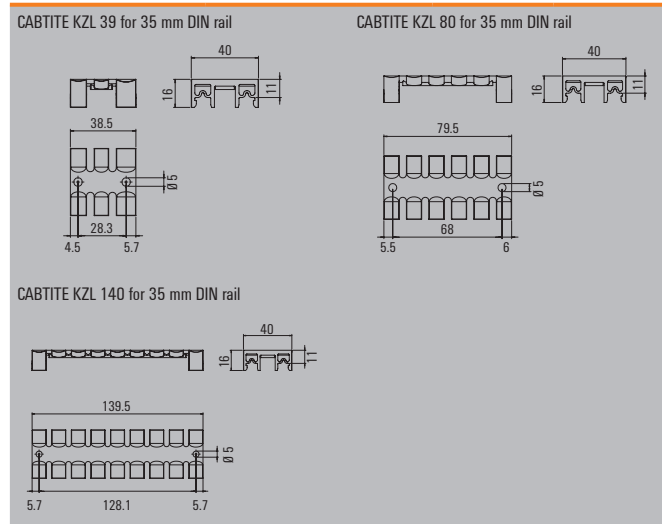
Technical data

Material	Polyamide, free from halogens and silicone
Colour	black
Temperatur range	-40 °C to +140 °C (static)
UL 94 flammability rating	V0

Ordering data

Type	Length	Qty.	Order No. for 35 mm DIN mounting rail	Order No. for C profile rail
CABTITE KZL 39	39 mm	10	1039990000	1040080000
CABTITE KZL 80	80 mm	10	1039970000	1040060000
CABTITE KZL 140	140 mm	10	1039960000	1040030000

Dimensions



Separable cable gland

Cabtite KVT






KVTs are used to feed through prefabricated cables when space is tight or only a few cables are required. As is the case with its big brother, the KEL, this product is also a two-piece system for easy assembly using the same cable grommets. The preassembled KVT32 can be used for hole diameters up to 35 mm, the KVT63 for hole diameters up to 65 mm. A sealing ring is also included.

- This two-piece system means that the size of the plug-in connector to be fed through is limited only by the size of the hole diameter.
- Two-piece two-tier system
- Fast and easy mounting
- The predefined gap achieves a minimum class of protection of IP54
- Large numbers of cables in very confined spaces
- Retrofitting of prefabricated wiring also possible
- The manufacturer's guarantee covering the prefabricated cables remains valid
- Integral strain relief to VDE 0619

Technical data

Material	Polycarbonate, free from halogens and silicone
Colour	grey, similar to RAL 7035
Temperatur range	IP54, when the correct cable grommet is selected
Class of protection	-30 °C to +100 °C (static)
UL 94 flammability rating	V0

Ordering data

Type	Thread	No. of grommet positions		Qty.	Order No.
		small	large		
 HDC KVT 25	M 25 x 1.5	1	-	10	1826660000
 HDC KVT 32	M 32 x 1.5	1	-	10	1826670000
 HDC KVT 63-4	M 63 x 1.5	4	-	5	1828230000
 HDC KVT 63-1	M 63 x 1.5	-	1	5	1828240000
Locknut for D-Sub 9					
 KGM-SUB-D9	M 32 x 1.5	1	-	10	1828250000

Note: HDC KVT 63-x types are supplied with a locknut.

Operating mode

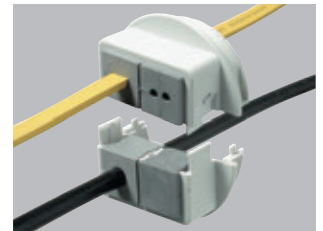
1. The grommet is fitted around the cable.

Important:

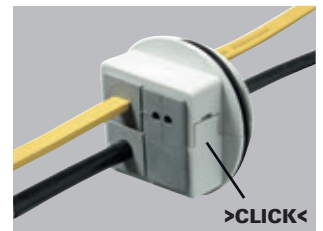
Choose an appropriately sized grommet for the diameter of the cable!



2. Press the grommet with the cable into the open cable gland. The flat sides of the grommet must face upwards when fitting the KVT 63/4!



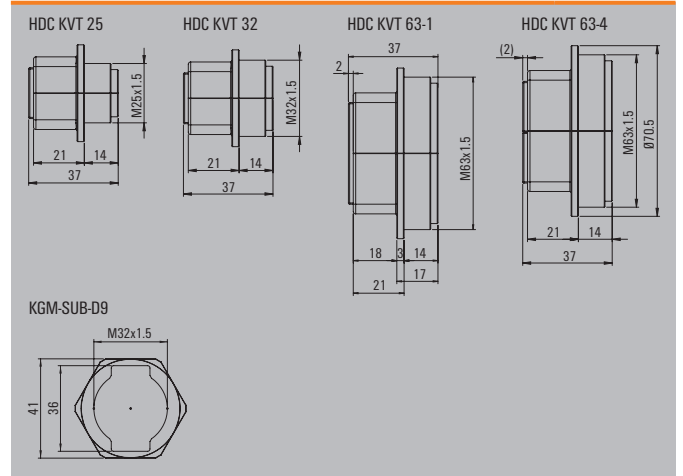
3. Squeeze the two halves of the cable gland together until they lock together with an audible "click".



4. Place the seal, which is also supplied, over the thread. Then fit the cable gland into the hole and, if necessary, secure it with a locknut.



Dimensions



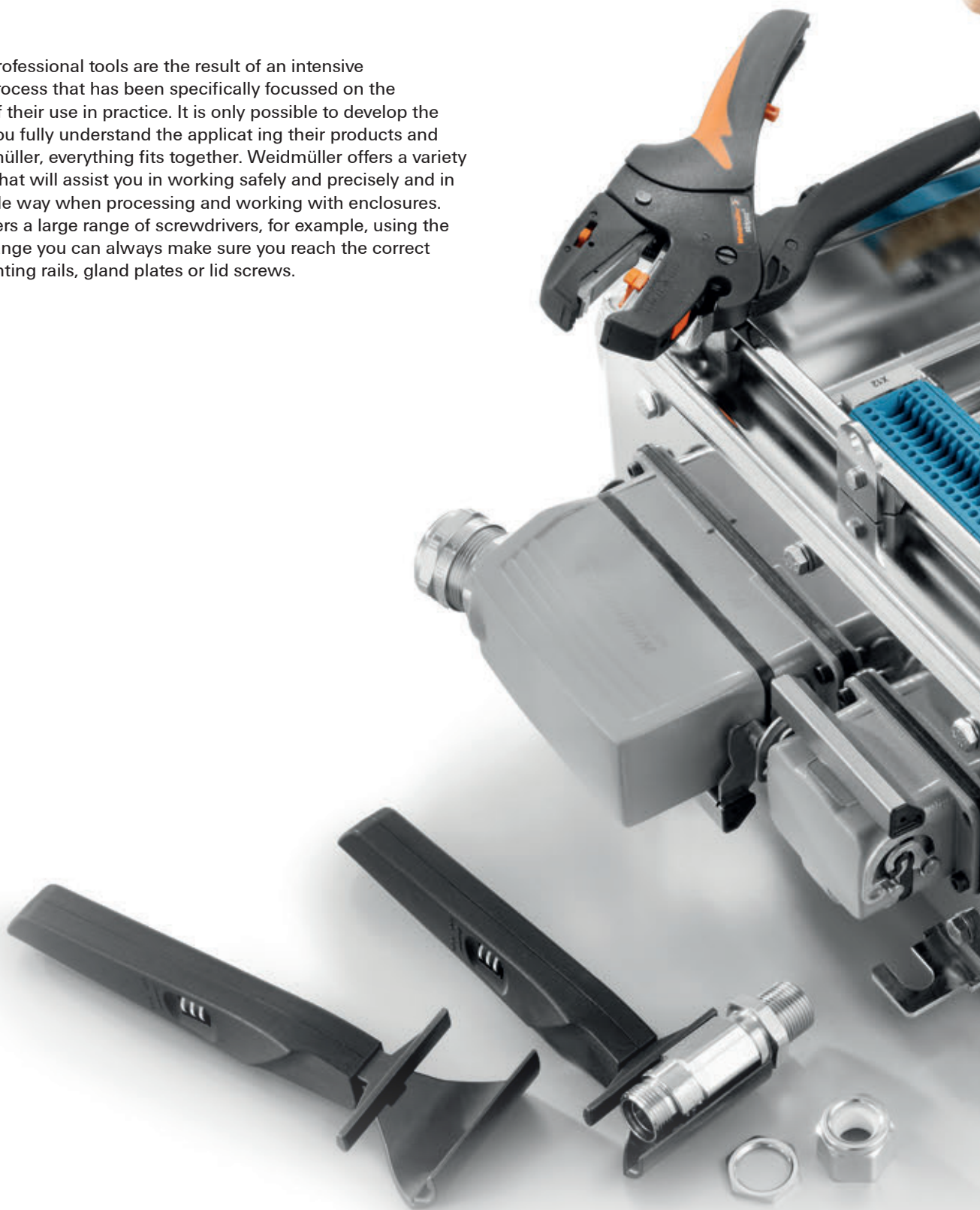
Tools

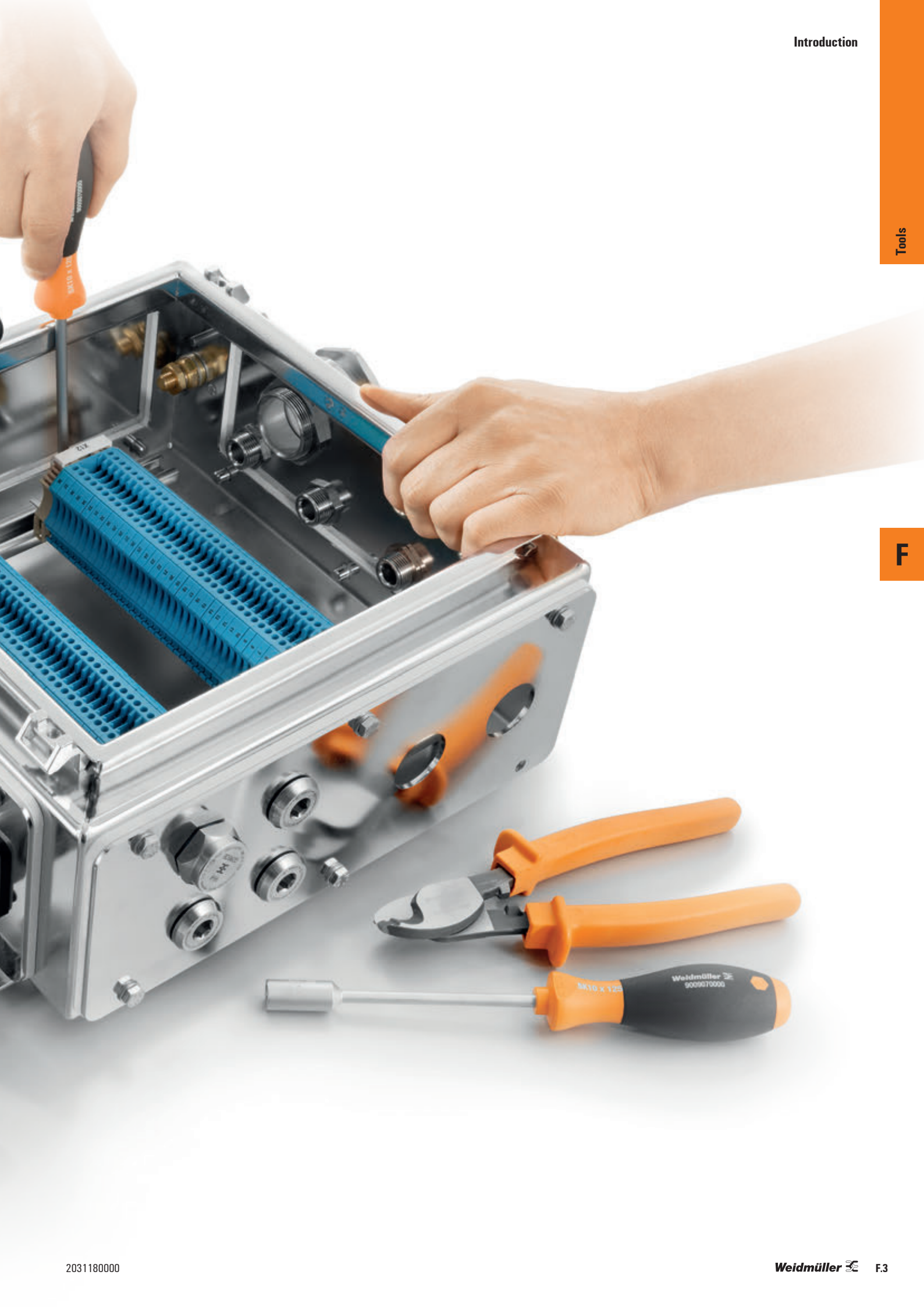
Tools	Introduction	F.2
	Hole punch	F.4
	Screwdrivers	F.8
	SlimLine screwdriver	F.10
	Torque screwdrivers	F.12
	Uninsulated torque screwdriver	F.13
	VDE-insulated torque screwdriver	F.14
	Cable gland tools	F.15
	Screwdrivers	F.16
	VDE-insulated screwdriver	F.17
	Uninsulated screwdriver	F.19
	Weidmüller wrench set	F.21
	Pin and electrical cabinet key	F.24

Tools

Weidmüller's professional tools are the result of an intensive development process that has been specifically focussed on the requirements of their use in practice. It is only possible to develop the perfect tool if you fully understand the application of their products and tools. At Weidmüller, everything fits together. Weidmüller offers a variety of useful tools that will assist you in working safely and precisely and in the best possible way when processing and working with enclosures. Weidmüller offers a large range of screwdrivers, for example, using the DMS Manual range you can always make sure you reach the correct torque for mounting rails, gland plates or lid screws.

F





Hydraulic hole puncher

The IP protection classes for housings, cable glands, heavy-duty connectors and Industrial Ethernet connectors can only be maintained under two conditions: the sheet metal must not be bent during the punching process and the size of the punched-out holes must correspond precisely with the specifications. The IE-KO-HAT hydraulic sheet metal hole puncher, together with its accessories, guarantees you the highest quality workmanship available. It ensures that the connector fits precisely with the punched-out holes so that you can fulfill the proper IP protection class requirements.

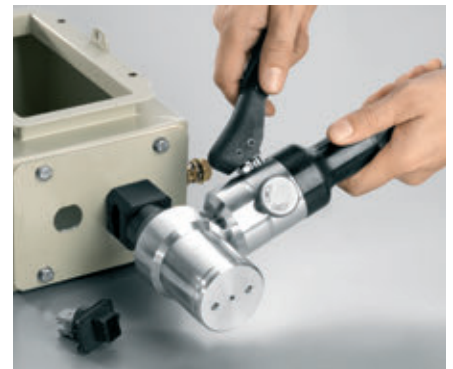
F



The hydraulic hole puncher punches out precise holes for accommodating metric and PG cable glands.



Automatic centre punching at the drill points when punching out holes for heavy-duty connectors.



Punching out holes for a variety of industrial Ethernet connectors.

The table below lists the round splitting stamps and their corresponding tension screws – for manual use and for use with the hydraulic screws

Type	Descriptions	Dimension	Order No.	Tension screw Ø x l in mm	Order No.	Hydraulic screw (tension bolt) Ø in mm	Order No.
KOS M 16	Round splitting stamp for M16 cable glands	Ø 16,2 mm	9204880000	9,5 x 50	9205030000	19 x 9,5	9205000000
KOS M 20	Round splitting stamp for M20 cable glands	Ø 20,4 mm	9204950000	9,5 x 50	9205030000	19 x 9,5	9205000000
KOS M 25	Round splitting stamp for M25 cable glands	Ø 25,4 mm	9204900000	9,5 x 50	9205030000	19 x 9,5	9205000000
KOS M 32	Round splitting stamp for M32 cable glands	Ø 32,5 mm	9204910000	19,0 x 55	9205040000	19	9205010000
KOS M 40	Round splitting stamp for M40 cable glands	Ø 40,5 mm	9204920000	19,0 x 75	9204780000	19	9205010000
KOS PG 9	Round splitting stamp for PG9 cable glands	Ø 15,2 mm	9204930000	9,5 x 50	9205030000	19 x 9,5	9205000000
KOS PG 11	Round splitting stamp for PG11 cable glands	Ø 18,6 mm	9204940000	9,5 x 50	9205030000	19 x 9,5	9205000000
KOS PG 13	Round splitting stamp for PG13 cable glands	Ø 20,4 mm	9204950000	9,5 x 50	9205030000	19 x 9,5	9205000000
KOS PG 16	Round splitting stamp for PG16 cable glands	Ø 22,5 mm	9204960000	9,5 x 50	9205030000	19 x 9,5	9205000000
KOS PG 21	Round splitting stamp for PG21 cable glands	Ø 28,3 mm	9204970000	9,5 x 50	9205030000	19 x 9,5	9205000000
KOS PG 29	Round splitting stamp for PG29 cable glands	Ø 37,0 mm	9204980000	19,0 x 55	9205040000	19	9205010000
KOS PG 36	Round splitting stamp for PG36 cable glands	Ø 47,0 mm	9204990000	19,0 x 75	9204780000	19	9205010000

Information: Hydraulic screw included in the IE-KO-HAT set.
Tension screws only used for manual operation.

Hydraulic sheet holes

Incl. accessories:

- 1 hydraulic screw \varnothing 19 mm
- 1 hydraulic screw \varnothing 19 x 9.5 mm
- 1 HSS pre-drill \varnothing 10 mm
- 1 spacer nut set (3-part)
- 1 bridge

IE-KO-HAT



- Overpressure valve protects against overloading
- Cylinder head angled 90°
- Angled head can be rotated through 360°
- Ergonomic handle springs back automatically
- The piece of waste no longer becomes jammed thanks to 3-fold cleaving
- Hydraulic punch manufactured from high-strength aluminium (approx. 40% less weight)

Technical data

Maximum steel-sheet punching performance	
Round holes from 1 to \varnothing 85 mm	-
Round holes from 2 to \varnothing 64 mm	-
Square holes up to	-
Rectangular holes up to	-
Maximum stainless steel sheet punching performance	
Round holes from 3 to \varnothing 64 mm	-
Tool data	
Length x width x height	mm
Weight	kg
Punching force	kN
Max. operating pressure	bar
Note	

Ordering data

Version
Note

Accessories

Type	Qty.	Order No.
KOHS 19	1	9205010000
KOHS 9.5+19	1	9205000000
KOPD 10.0	1	9205020000
Note		
Splitting stamp on the next page		

IE-KO-HAT	
2,0 mm F = 370 N/mm ²	
3,0 mm F = 370 N/mm ²	
68 x 68 mm; 2,0 mm F = 370 N/mm ²	
36 x 112 mm; 2,0 mm F = 370 N/mm ²	
2,5 mm F = 600 N/mm ²	
290 / 120 / 70	
1.9	
75	
650	
Note	

Type	Qty.	Order No.
IE-KO-HAT	1	1966810000
Note		

Type	Qty.	Order No.
KOHS 19	1	9205010000
KOHS 9.5+19	1	9205000000
KOPD 10.0	1	9205020000
Note		
Splitting stamp on the next page		

Custom stamp for Industrial Ethernet connections



Type	Description	Dimensions	Qty.	Order No.
IE-KOK-V1	Custom shape for Bajonet 01 metal	Ø 27 mm x 1-seitig 25,9 mm	1	1966780000
IE-KOK-V4	Custom shape for Push Pull V04 plastic	Ø 23,2 mm x 2-seitig 20,2 mm	1	1966790000
IE-KOK-V5	Custom shape for RockStar® V05 metal	22,0 x 22,0 mm	1	9204790000
IE-KOK-V14	Custom shape for V14 flange	22,0 x 18,5 mm	1	1135240000

Rectangular splitting stamp for heavy-duty connectors



Type	Description	Dimensions	Size	Qty.	Order No.
KOK 52 x 36	Splitting stamp for 6-pole heavy-duty connectors	52,0 x 36 mm	3	1	9204820000
KOK 65 x 36	Splitting stamp for 10-pole heavy-duty connectors	65,0 x 36 mm	4	1	9204830000
KOK 86 x 36	Splitting stamp for 16-pole heavy-duty connectors	86,0 x 36 mm	6	1	9204850000
KOK 91 x 36	Splitting stamp for 16-pole heavy-duty connectors	91,0 x 36 mm	1	1	9204860000
KOK 112 x 36	Splitting stamp for 24-pole heavy-duty connectors	112,0 x 36 mm	8	1	9204870000
KOK 52 x 91	Splitting stamp forFrontCom Vario	52,0 x 91 mm		1	2008410000

Rectangular splitting stamp for switches



Type	Description	Dimensions	Qty.	Order No.
KOK 46 x 46	Rectangular splitting stamp for switches	46,0 x 46,0 mm	1	9204810000
KOK 68 x 68	Rectangular splitting stamp for switches	68,0 x 68,0 mm	1	9204840000
KOK 92 X 92	Rectangular splitting stamp for switches	92,0 x 92,0 mm	1	2008420000

Round splitting stamp for metric cable glands



Type	Description	Dimensions	Qty.	Order No.
KOS M 16	Round splitting stamp for M16 cable glands	Ø 16,2 mm	1	9204880000
KOS M 20	Round splitting stamp for M20 cable glands	Ø 20,4 mm	1	9204950000
KOS M 25	Round splitting stamp for M25 cable glands	Ø 25,4 mm	1	9204900000
KOS M 32	Round splitting stamp for M32 cable glands	Ø 32,5 mm	1	9204910000
KOS M 40	Round splitting stamp for M40 cable glands	Ø 40,5 mm	1	9204920000

Round splitting stamp for high-strength cable glands



Type	Description	Dimensions	Qty.	Order No.
KOS PG 9	Round splitting stamp for PG9 Cable glands	Ø 15,2 mm	1	9204930000
KOS PG 11	Round splitting stamp for PG11 Cable glands	Ø 18,6 mm	1	9204940000
KOS PG 13	Round splitting stamp for PG13 Cable glands	Ø 20,4 mm	1	9204950000
KOS PG 16	Round splitting stamp for PG16 Cable glands	Ø 22,5 mm	1	9204960000
KOS PG 21	Round splitting stamp for PG21 Cable glands	Ø 28,3 mm	1	9204970000
KOS PG 29	Round splitting stamp for PG29 Cable glands	Ø 37,0 mm	1	9204980000
KOS PG 36	Round splitting stamp for PG36 Cable glands	Ø 47,0 mm	1	9204990000

Tension screw



Type	Description	Dimensions	Qty.	Order No.
KOBBS	Tension screw	9,5 x 50 mm	1	9205030000
KOBBS	Tension screw	19 x 55 mm	1	9205040000
KOBBS	Tension screw	19 x 75 mm	1	9204780000

Screwdrivers

Precisely the proper torque! It's indispensable when you require your work to be precise, effective and repeatable: for example when screwing in sensitive or expensive components, during assembly, final testing, or during quality inspection. This is the ideal job for Weidmüller's manual torque screwdriver with its ergonomic grip and its unique interchangeable bit system.

The Weidmüller screwdriver assortment is the perfect solution; it features the ergonomic design and versatility required for demanding professional applications. Weidmüller safeguards your safety, health, comfort and efficiency with our ergonomic design.

In order to establish secure manual screw connections, all Weidmüller screwdrivers and manual torque screwdrivers feature an advanced geometry, slip protection and a special SoftFinish® area. These qualities enable optimal handling and ensure electrical safety and hand protection even when working on the most critical and potentially dangerous applications.

Weidmüller offers a wide variety of electric screwdrivers, standard bits and innovative quick-change holders – the perfect additions to the manual torque screwdriver. They are the ideal tool for achieving a high level of repetitive accuracy, which is made possible through their ergonomic design and integrated automatic torque control which comes as standard.

Weidmüller also offers innovative solutions for special applications such as cable glands or the fastening of sensor cables.



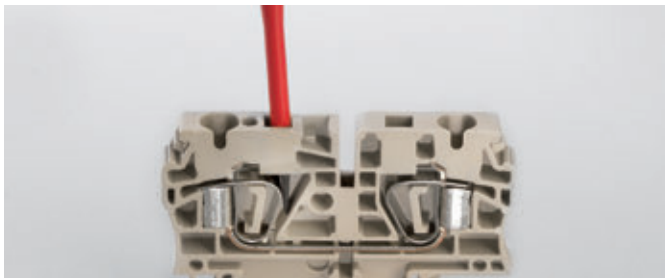


SlimLine screwdriver

VDE insulated screwdriver with thin blade

The SlimLine screwdriver design allows you to reach deeply inset fittings and tension clamp terminals which cannot normally be reached using a standard VDE screwdriver. The SlimLine screwdrivers can be used for Weidmüller's Z-series of terminal blocks. The tools have an ergonomically designed grip so that they can be used without causing pain or stress. The SoftFinish® zone delivers excellent feel, ensures electrical safety and is easy on your hands.

A blade that is up to 33 % thinner



The moulded protective insulation, applied directly to the shaft ensures safety and protection during critical applications at levels of up to 1,500 V (DC) or 1,000 V (AC).

Ergonomic design



The ergonomic grip design makes for a comfortable screwing process and excellent handling. The SoftFinish® zone prevents the tool from slipping away and thus makes higher torques possible.



Security



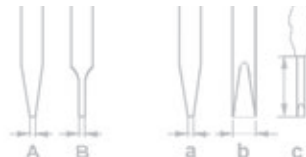
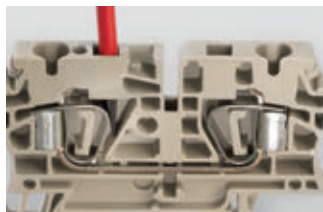
The moulded protective insulation, applied directly to the shaft ensures safety and protection during critical applications at levels of up to 1,500 V (DC) or 1,000 V (AC).

SlimLine screwdriver insulated acc. to VDE specs

VDE-insulated screwdriver, for working on live parts up to 1,000 V AC and 1,500 V DC. DIN EN 60900, IEC 900, Safety tested „GS“, each piece tested. The bit is made from fully-hardened, high-alloy, chromium-vanadium-molybdenum steel with a gun-metal finish.

A blade that is up to 33 % thinner

The SlimLine design allows you to reach deeply inset fittings and tension clamp terminals.



SDI SL S

VDE insulated slot-head screwdriver, SDI SL DIN 7437, ISO 2380/2, drive output acc. to DIN 5264, ISO 2380/1. SoftFinish® grip



Type	Blade type	Size / AF	a	b	c	Order No.
SDIS SL 0.6X3.5X100			0.6	3.5	100	1274660000
SDIS SL 0.8X4.0X100			0.8	4	100	1274670000
SDIS SL 1.0X5.5X125			1	5.5	125	1274680000
SDIS SL 1.2X6.5X150			1.2	6.5	150	1274690000

SDIK SL PH

VDE-insulated crosshead screwdriver, Phillips type, SDIK PH DIN 7438, ISO 8764/2-PH, output acc. to ISO 8764-PH, SoftFinish® grip



Type	Blade type	Size / AF	a	b	c	Order No.
SDIK PH1 SL		size PH1			80	1274710000
SDIK PH2 SL		Gr. PH2			100	1274720000

SDIK SL PZ

VDE-insulated crosshead screwdriver Pozidrive type, SDIK SL PZ DIN 7438, ISO 8764/2-PZ, output acc. to ISO 8764-PZ, SoftFinish® grip



Type	Blade type	Size / AF	a	b	c	Order No.
SDIK PZ1 SL		size PZ1			80	1274730000
SDIK PZ2 SL		Gr. PZ2			100	1274740000

SDIS SL 2.5-5.5/PH/1/2

6-part set: VDE insulated slotted and crosshead PH screwdriver set



Type	Blade type	Size / AF	a	b	c	Order No.
SDIS SL 0.6X3.5X100			0.6	3.5	100	
SDIS SL 0.8X4.0X100			0.8	4	100	
SDIS SL 1.0X5.5X125			1	5.5	125	
SDIS SL 1.2X6.5X150			1.2	6.5	150	
SDIK PH1 SL		size PH1			80	
SDIK PH2 SL		Gr. PH2			100	
SDI SL S3.5-6.5/PH1/2						1274750000

DMS manual / DMSI manual

Torque screwdrivers with insulation up to 1,000 V (VDE) DMSI manual

The „DMSI manual“ with an integral window scale, combined with a Weidmüller 1,000 V insulated (VDE) interchangeable blade, ensures controlled tightening of screws and maximum reliability in electrical applications.

Every 1,000 V insulated (VDE) handle and blade is tested and provides the necessary safety up to 1,000 V AC / 1,500 V DC.



Scale

Torque screwdrivers DMS manual

This is a versatile tool suitable for a variety of jobs, with an integral scale for easy reading of the torque value and a Weidmüller interchangeable blade.



Each model is available with two torque ranges:

- 0.5 to 1.7 Nm
- 2.0 to 8.0 Nm
- setting tool included

Advantages:

- Compact and especially lightweight design
- Torque set with special tool (included) to ensure the right setting
- Ergonomic handle size to match the torque range
- Every tool checked and given an ID No., 100 % quality control with verification and product reference
- Audible, unmistakable click upon reaching the torque, no unnecessary effort
- Interchangeable blade made from high-quality wear-resistant tool steel
- All tools comply with the accuracy stipulations of: EN ISO 6798, BS EN 26789, ASME B107.14M
- Operating accuracy: ± 6 % of set scale value



Setting tool

Uninsulated torque screwdriver



DMS manual

Torque screwdriver
EN ISO 6798, BS EN 26789, ASME B107.14M



Type	Size / AF	a	b	c	Order No.
DMS MANUELL 0,5-1,7	0.5 - 1.7 Nm				9918370000
DMS MANUELL 2,0-8,0	2.0 - 8.0 Nm				9918380000

WK K S

Interchangeable bits for torque screwdriver
output acc. to DIN 5264, ISO 2380/1



WK S 0,4x2,5	max. 0.4 Nm	0.4	2.5	175	9918520000
WK S 0,5x3,0	max. 0.6 Nm	0.5	3	175	9918530000
WK S 0,6x3,5	max. 1.1 Nm	0.6	3.5	175	9918540000
WK S 0,8x4,0	max. 2.5 Nm	0.8	4	175	9918550000
WK S 1,0x5,5	max. 3.8 Nm	1	5.5	175	9918560000

WK K PZ

Interchangeable bits for torque screwdriver
output acc. to DIN 5260-PZ, ISO 8764/1-PZ



WK K PZ0	max. 0.9 Nm			175	9918600000
WK K PZ1	max. 3.8 Nm			175	9918610000
WK K PZ2	max. 5.5 Nm			175	9918620000

WK K PH

Interchangeable bits for torque screwdriver
output acc. to DIN 5260-PH, ISO 8764/1-PH



WK K PH0	max. 0.9 Nm			175	9918570000
WK K PH1	max. 3.8 Nm			175	9918580000
WK K PH2	max. 5.5 Nm			175	9918590000

WGK 1/4 C6.3 E6.3

Interchangeable bit with bit holder for torque screwdrivers
Drive: 1/4" C6.3 and 1/4" E6.3



WK 1/4" C6,3 E6,3					9202510000
-------------------	--	--	--	--	------------

VDE-insulated torque screwdriver

VDE-insulated torque screwdriver



DMSI manual

VDE-insulated torque screwdriver

EN ISO 6798, BS EN 26789, ASME B107.14M



Type	Size / AF	a	b	c	Order No.
DMSI MANUELL 0,5-1,7	0.5 - 1.7 Nm				9918390000
DMSI MANUELL 2,0-8,0	2.0 - 8.0 Nm				9918400000

Cable gland tools

Screwing tool for all types of cable glands.

- Can tighten or loosen several rows of cable glands
- No deforming of the cable glands

FleCaFix 11/24

Cable gland tool



- Spanner size: 11 to 24 AF
- Infinite adjustment of spanner size
- Ratchet function: not necessary to remove tool between turns
- Authentic one-hand tool

FleCaFix 24/36

Cable gland tool



- Spanner size: 24 to 36 AF
- Infinite adjustment of spanner size
- Ratchet function: not necessary to remove tool between turns
- Authentic one-hand tool



Technical data

Tool data	
Length / Width / Height	mm
Weight	g
AF size	-
Note	

190 / 30 / 60
190
11...24 mm

204 / 30 / 60
240
24...36 mm

Ordering data

Version
Note

Type	Qty.	Order No.
FLECAFIX 11/24	1	9015900000

Type	Qty.	Order No.
FLECAFIX 24/36	1	9015980000

Screwdrivers

Weidmüller screwdrivers come in four different grip sizes, and are the result of a consistent grip concept which takes into account both the human hand and the different work requirements and conditions.

- Perfect handling with all grip sizes
- Maximum torques
- Optimum transmission of axial force
- Complete range including all commercial sizes



SoftFinish® grip



Weidmüller's SoftFinish® grip zone for use in dry conditions and for general applications offers customers a complete range of screwdrivers that enables far higher torques as well as substantially more comfort due to the soft material of the grip.

Product benefits:

- Made of an especially soft material, which is kind to the skin, the SoftFinish® zone enables maximum torques
- Perfect ergonomic grip design for comfortable screw driving and optimum handling
- You can choose from long-life extremely stressable blades in standard sizes
- ChromTop blade tip offers maximum corrosion protection and greatest possible dimensional accuracy of the blade geometry in the screw head over many years

SoftFinish® electric



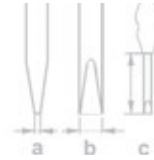
VDE-insulated screwdriver according to DIN EN 60900, IEC 900 for work on live equipment

Product benefits:

- The protective insulation moulded directly on the screwdriver blade ensures electrical safety, even in critical applications
- Safe for working at up to 1,500 volts DC and 1,000 volts AC
- Each screwdriver is individually tested in a water bath at 10,000 volts according to DIN EN 60900
- Perfect ergonomic grip design for comfortable screw driving and optimum handling
- Made of special soft material which is kind to the skin, the SoftFinish® zone prevents slipping in critical situations and at the same time enables maximum torques

VDE-insulated screwdriver

VDE-insulated screwdriver, for working on live parts up to 1.000 V AC and 1.500 V DC. DIN EN 60900, IEC 900, Each piece „GS Safety“ tested. Bit made from fully hardened, high-alloy chromiumvanadium-molybdenum steel, gun-metal finish.



SDI S

VDE insulated slot-head screwdriver, SDI DIN 7437, ISO 2380/2, drive output acc. to DIN 5264, ISO 2380/1. SoftFinish® grip



Type	Blade type	Size / AF	a	b	c	Order No.
SDIS 0.4X2.0X60	A		0.4	2	60	9205690000
SDIS 0.4X2.5X75	A		0.4	2.5	75	9008370000
SDIS 0.5X3.0X100	B		0.5	3	100	9008380000
SDIS 0.6X3.5X100	B		0.6	3.5	100	9008390000
SDIS 0.8X4.0X100	B		0.8	4	100	9008400000
SDIS 1.0X4.5X125	B		1	4.5	125	9008910000
SDIS 1.0X4.5X175	B		1	4.5	175	9205700000
SDIS 1.0X5.5X125	B		1	5.5	125	9008410000
SDIS 1.0X5.5X175	B		1	5.5	175	9205710000
SDIS 1.2X6.5X150	B		1.2	6.5	150	9008420000
SDIS 1.6X8.0X175	B		1.6	8	175	9008430000

SDIK PH

VDE-insulated crosshead screwdriver Pozidrive type, SDIK PZ DIN 7438, ISO 8764/2-PZ, output acc. to ISO 8764-PZ, SoftFinish® grip



SDIK PH0	0.00	60	9008560000
SDIK PH1	1.00	80	9008570000
SDIK PH2	2.00	100	9008580000
SDIK PH3	3.00	150	9008590000

SDIK PZ

VDE-insulated crosshead screwdriver Pozidrive type, SDIK PZ DIN 7438, ISO 8764/2-PZ, output acc. to ISO 8764-PZ, SoftFinish® grip



SDIK PZ1	1.00	80	9008900000
SDIK PZ2	2.00	100	9008890000

SDI SL / PH

VDE-insulated plus-minus screwdriver, Phillips, SDI SL/PH SoftFinish® handle



SDI SL/PH 1	size PH1	1318330000
SDI SL/PH 2	size PH2	1318340000

SDIZ

VDE insulated slot-head screwdriver, SDI DIN 7437, ISO 2380/2, drive output acc. to DIN 5264, ISO 2380/1. SoftFinish® grip



SDIZ 0.6X3.5X100	0.6	3.5	100	9008450000
SDIZ 0.8X4.0X100	0.8	4	100	9008460000
SDIZ 0,8X5,5 150/248	0.8	5.5	150	9008640000

VDE-insulated screwdriver

VDE-insulated screwdriver

VDE-insulated screwdrivers, for working on live parts up to 1.000 V AC and 1.500 V DC, DIN EN 60900, IEC 900. Each piece „GS Safety“ tested. Blade made from throughhardened, high-alloy chromium-vanadium-molybdenum steel, gun-metal black-oxide finish.



SDIS 2.5-5.5/PH/1/2

6-part set: VDE insulated slotted and crosshead PH screwdriver set



Type	Blade type	Size / AF	a	b	c	Order No.
SDIS 0.4X2.5X75	A		0.4	2.5	75	
SDIS 0.5X3.0X100	B		0.5	3	100	
SDIS 0.8X4.0X100	B		0.8	4	100	
SDIS 1.0X5.5X125	B		1	5.5	125	
SDIK PH1		1.00			80	
SDIK PH2		2.00			100	
SDI Set S2.5-5.5/PH1/2						9009730000

SDIS 2.5-5.5/PZ/1/2



SDIS 0.4X2.5X75	A		0.4	2.5	75	
SDIS 0.5X3.0X100	B		0.5	3	100	
SDIS 0.8X4.0X100	B		0.8	4	100	
SDIS 1.0X5.5X125	B		1	5.5	125	
SDIK PZ1		1.00			80	
SDIK PZ2		2.00			100	
SDI Set S2.5-5.5/PZ1/2					1	1128540000

SDIS 2.0-5.5

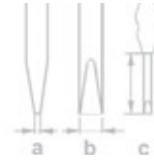
6-part set: VDE-insulated slotted screwdriver set



SDIS 0.4X2.0X60	A		0.4	2	60	
SDIS 0.4X2.5X75	A		0.4	2.5	75	
SDIS 0.5X3.0X100	B		0.5	3	100	
SDIS 0.6X3.5X100	B		0.6	3.5	100	
SDIS 0.8X4.0X100	B		0.8	4	100	
SDIS 1.0X5.5X125	B		1	5.5	125	
SDI Set S2.0-5.5					1	9205550000

Uninsulated screwdriver

Weidmüller SoftFinish® screwdriver for general applications.
Blade made from through-hardened, high-alloy chromium-vanadium-molybdenum steel, matt chrome-plated.



SD S

Slotted screwdriver with rounded blade SD DIN 5265, ISO 2380/2, output to DIN 5264, ISO 2380/1. ChromTop tip, SoftFinish® grip



Type	Blade type	Size / AF	a	b	c	Order No.
SDS 0.4X2.0X60	B		0.4	2	60	9037160000
SDS 0.4X2.5X75	A		0.4	2.5	75	9009030000
SDS 0.5X3.0X80	A		0.5	3	80	9008320000
SDS 0.6X3.5X100	A		0.6	3.5	100	9008330000
SDS 0.6X3.5X200	A		0.6	3.5	200	9010110000
SDS 0.8X4.0X100	A		0.8	4	100	9008340000
SDS 0.8X4.0X125	A		0.8	4.5	125	9009020000
SDS 1.0X5.5X150	A		1	5.5	150	9008350000
SDS 1.2X6.5X150	A		1.2	6.5	150	9009010000

SDK PH

Crosshead screwdriver, Phillips, SDK PH DIN 5262, ISO 8764/2-PH, output to ISO 8764-PH, ChromTop tip, SoftFinish® grip



Type	Size / AF	a	b	Order No.
SDK PH0	0.00		60	9008470000
SDK PH1	1.00		80	9008480000
SDK PH2	2.00		100	9008490000
SDK PH3	3.00		150	9008500000

SDK PZ

Crosshead screwdriver, Pozidriv, SDK PZ DIN 5262, ISO 8764/2-PZ, output to ISO 8764/1-PZ, ChromTop tip, SoftFinish® grip



Type	Size / AF	a	b	Order No.
SDK PZ1	1.00		80	9008530000
SDK PZ2	2.00		100	9008540000
SDK PZ3	3.00		150	9008550000

SD TH

Torx® TH screwdriver with hole in tip of blade (tamper-resistant), SD TH for screwing Torx® and Torx®-TH security screws (pin in centre of Torx® recess), ChromTop tip, SoftFinish® grip



Type	Size / AF	a	b	Order No.
SD TH10		10	80	9009180000
SD TH15		15	80	9009170000
SD TH20		20	100	9009160000

SK

Hexagon socket wrench SK DIN 3125, output to DIN 3125, SoftFinish® grip



Type	Order No.
SK 10,0x125	9009070000

Uninsulated screwdriver

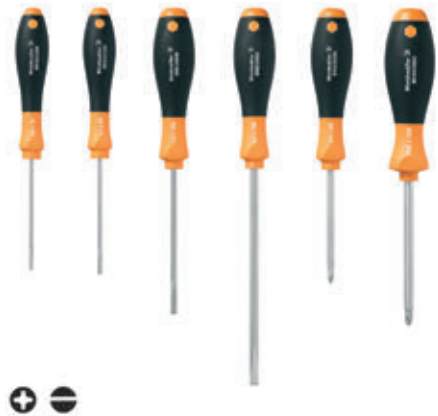
Uninsulated screwdriver

Weidmüller SoftFinish® screwdriver for general applications.
Blade made from through-hardened, high-alloy chromium-vanadium-molybdenum steel, matt chrome-plated.



Set S 2.5/3.0/4.0/5.5/PH 1/2

6-part set: slotted and crosshead PH screwdriver set with circular blades



Type	Blade type	Size / AF	a	b	c	Order No.
SDS 0.4X2.5X75	A		0.4	2.5	75	
SDS 0.5X3.0X80	A		0.5	3	80	
SDS 0.8X4.0X100	A		0.8	4	100	
SDS 1.0X5.5X150	A		1	5.5	150	
SDK PH1		1.00			80	
SDK PH2		2.00			100	
SD Set S2.5-5.5/PH1/2						9009740000

Set S 2.0/2.5/3.0/3.5/4.0/5.5

6-part set: slotted screwdriver set



SDS 0.4X2.0X60	B		0.4	2	60	
SDS 0.4X2.5X75	A		0.4	2.5	75	
SDS 0.5X3.0X80	A		0.5	3	80	
SDS 0.6X3.5X100	A		0.6	3.5	100	
SDS 0.8X4.0X100	A		0.8	4	100	
SDS 1.0X5.5X150	A		1	5.5	150	
SD Set S2.0-5.5					1	9205560000

SD TO 0,6x3,0

Angled slotted screwdriver with round handle, SoftFinish® handle



SD TO 0,6X3,0	A		0.6	3	70	1323880000
---------------	---	--	-----	---	----	-------------------

Weidmüller wrench set

Socket wrench manufactured from through-hardened chromium-vanadium steel, manufactured according to DIN ISO 2936 L (DIN 911), high-quality finished surface.

SK WSD S

9-piece offset screwdriver set in the Prostar, with MagicRing: tightly holds standard screws in any position thanks to its spring steel ring (up to size 3), with ball head for screwing up to an angle of 25°.



Type	Size / AF	a	b	c	Order No.
	1,5				
	2				
	2,5				
	3				
	4				
	5				
	6				
	8				
	10				
SK WSD-S 1,5-10,0					9008850000

SK S

7-piece Allen key set



SKS 2,0-8,0					9008860000

SK S MR

7-piece Allen key set with ball head and MagicRing: holds standard screws (size 3 and larger) in any position thanks to its spring steel ring, with ball head for screwing up to an angle of 25°.



SKS 2,0-8,0 MR					9008870000

TH S

8-piece Torx®-TH socket wrench set with hole in the bit tip (tamper-resistant), for screwing Torx® and Torx®-TH safety screws (centre pin in the profile)

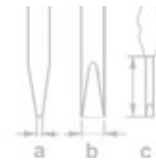


TH-S 9-40					9008880000

Weidmüller wrench set**Weidmüller wrench set**

Weidmüller SoftFinish® screwdriver for general applications.

Blade made from through-hardened, high-alloy chromium-vanadium-molybdenum steel, matt chrome-plated.

**System 11+1 S-PH-PZ-SK**

12-piece set with interchangeable bits for slotted, cross-head PH/PZ and hexagon head screws, SoftFinish® handle



Type	Size / AF	a	b	c	Order No.
SD					
SD					
SD					
SD					
PH 1					
PH 2					
PZ 1					
PZ 2					
SK					
SK					
SK					
SYSTEM 11+1			140		9009750000

IS 4 / IS 6 / IS 8

Wrench with pegged pilot tip



Hexagon screwdriver with cross-grip made from highquality plastic

- Nickel-plated surface
- Made from hardened chromium-vanadium steel
- Manufactured according to DIN 6911
- Designed for screws acc. to DIN 6912

IS 2 KG / IS 3 KG / IS 4 KG

Socket wrench



Hexagon screwdriver with cross-grip made from highquality plastic

- Nickel-plated surface
- Made from hardened chromium-vanadium steel
- Manufactured according to DIN 6911
- Designed for screws acc. to DIN 6912

SDQ T15 / SDQ T20 / SDQ T40

Socket wrench, Torx®



Torx® screwdriver with cross-grip made from high-quality plastic

- Matt-chrome surface finish
- Made from hardened chromium-vanadium steel

Technical data

	IS4	IS6	IS8
c	60 mm	80 mm	90 mm
Weight	27 g	61 g	89 g

Technical data

	IS 2 KG	IS 3 KG	IS 4 KG
c	100 mm	100 mm	100 mm
Weight	32 g	32 g	32 g

Technical data

	SDQ T15	SDQ T20	SDQ T40
c	100 mm	100 mm	100 mm
Weight	32 g	32 g	32 g

Ordering data

Type	Qty.	Order No.
IS 4 DIN 6911	1	0485100000
IS 6 DIN 6911	1	0407900000
IS 8 DIN 6911	1	0235000000

Ordering data

Type	Qty.	Order No.
IS 3 KG	1	1806650000
IS 4 KG	1	1806660000

Ordering data

Type	Qty.	Order No.
SDQ T15	1	1318390000
SDQ T20	1	1318400000
SDQ T40	1	1318410000

Cross-Key Master

Universal key



- 1.0 x 7 mm PH 2
- 5 mm
- 7 mm 12 mm 9 mm 13.5 mm
- 8 mm 13.5 mm 4 mm 10 mm

- With bit holder and reversible bit (drives - refer to symbols)
- Material: diecast zinc
- Dimensions: 62 x 90 mm

Application: For almost all technical locking systems in buildings including: doors, window handles, radiator bleed valves, sanitary installations, HVAC, gas and water supply



Cross-Key Universal

Universal electrical cabinet key



- 1.0 x 7 mm PH 2
- 5 mm
- 6 mm 11.5 mm 9 mm 13.5 mm
- 7-8 mm 13.5 mm 3-5 mm 9 mm

- With bit holder and reversible bit (drives - refer to symbols)
- Material: diecast zinc
- Dimensions: 72 x 72 mm

Application: For locking systems used in electrical engineering, fits all standard electrical cabinet locks.



Cross-Key Universal S

Universal mini electrical cabinet key



- 1.0 x 7 mm PH 2
- 6 mm 11.5 mm 9 mm 13.5 mm
- 8 mm 13.5 mm 5 mm 9 mm

- With bit holder and reversible bit (drives - refer to symbols)
- Material: diecast zinc
- Dimensions: 42 x 42 mm

Application: For locking systems used in electrical engineering, fits all standard electrical cabinet locks.



Technical data

Ordering data

Type	Qty.	Order No.
CROSS-KEY MASTER	1	9918150000

Technical data

Ordering data

Type	Qty.	Order No.
CROSS-KEY UNIVERSAL	1	9918130000

Technical data

Ordering data

Type	Qty.	Order No.
CROSS-KEY UNIVERSAL S	1	9918140000

Service and support

Service and support	Our expertise for your requirements	V.2
	Benefit from optimum support when using our new products	V.4
	Product selection, application and configuration	V.5

Our expertise for your requirements

Service connects - worldwide

Automation technology functions are becoming more complex in a globally-oriented world facing ambitious targets in terms of energy efficiency and smart production. We are your equal partners for the best connections in Industrial Connectivity. Our worldwide network of industrial managers for machine construction, process automation, energy and traffic engineering and for device manufacturers know the challenges you face and can support you in your specific applications.

Training course on technologies, applications and the detailed functionality of our products is available to you locally or at our headquarter in Germany. Our personal support can answer any questions reliably and expertly. Our online services are available 365 day a year around the clock to provide answers to your questions on our products - from user documentation through software to planning tools.

In short: Weidmüller's global service combines our expertise with your requirements.





Professional advice on planning

Our global network of industrial managers has extensive experience in automation technology and electrical connectivity. This expertise allows us to assist you with advice and planning support in order to work with you on resolving the everyday challenges of your applications.



Technology and application training

Industrial automation is moving towards smart production. It faces the challenges of new technologies and applications. Our varied range of training courses develops this knowledge further or provides more in-depth information on the handling of our products and solutions. Our seminars are modular and can be customised. We can train you and your employees in our academy, on your premises if you wish or online in our webinars at any time.



Customised installation

The challenges for the future are reducing costs and increasing efficiency. This requires intelligent, individual solutions which are tailored to your requirements. We can offer a highly qualified customer-specific production service in our application centre. Whether you need modified products, pre-assembled terminal rails or complete small cabinets: we produce the solutions developed for your application quickly and flexibly.



Online and personal support

From planning through installation to operation, we can provide exactly the right help and information for each step of your application based on our solutions and products: up-to-date, uncomplicated and comprehensive, around the clock, online or in person.



Visit our website
for more information

www.weidmueller.com/service

Let's connect.

Benefit from optimum support when using our new products

Service connects – worldwide

If our new products are used in your automation technology applications, you need the best possible individual support, from planning through installation to operation.

For every stage of your application, we can offer the right tools and information for our products and solutions. Up-to-date, uncomplicated, comprehensive and around the clock via our service portal at www.weidmueller.com/service

Fast access to our support and services is available via Weidmüller webcodes. Simply select the service you want on the right hand side, then enter the webcode made up of five digits with a preceding hashtag into the search field in the top right corner of www.weidmueller.com and it will bring up the details you need.



Product selection, application and configuration

Our service portal provides comprehensive support



Engineering data

Make the most of our libraries to find engineering tools for control cabinet planning, device design and safety assessments with SISTEMA.

Webcode #01219



Download product catalogues

All the technical data for our whole range of industrial connectivity - summarised in 14 product catalogues to download in PDF format.

Webcode #01218



Approvals, certificates and declaration of conformity

Find all product- or company-related approvals and certificates for documentation

Webcode #11303



Software

Our software simplifies the application of many of our products in terms of operation, configuration and monitoring.

Webcode #01212



Product selection guides

By defining your product properties exactly, you can quickly find what you are looking for thanks to our selection guides.

Webcode #01214



FAQ - Frequently Asked Questions

Our FAQ database provides quick answers to your most important questions.

Webcode #01216



Video tutorials

Our video tutorials provide step-by-step instructions on using our products.

Webcode #01215



Online product catalogues

Keep up-to-date at all times. Our online product catalogue offers you comprehensive search functions and download options.

Webcode #01217

All Weidmüller online services

Simply scan the QR code or visit our service portal at www.weidmueller.com/service



Let's connect.

There, you can find all our online support services and direct contact details for your local contact.

Technical appendix

Technical appendix	Directive 1999/92/EC	W.2
	ATEX directive 2014/34/EU	W.6
	IECEx scheme	W.7
	IP class of protection	W.8
	Guidelines for selecting cable glands	W.10
	Ratings plate of an empty enclosure	W.12

Directive 1999/92/EC

Article 137 of the European Community Formation Treaty set out the minimum standards in order to improve workers' health and safety, this can also be put at risk by explosive atmospheres. An explosive atmosphere is a mixture of air and flammable gasses, vapours, mists or dust under atmospheric conditions where, following successful ignition, the burning process will propagate throughout the whole unburned mixture.

The directive 1999/92/EC was transferred into national law. Compliance with the minimum standards contained in this directive does not guarantee that all relevant national laws are met. It is possible for local regulators to introduce more stringent requirements.

The employer is required, according to the directive 1999/92/EC, to take measures to ensure the health and safety of the employees. One measure is the division of the area into zones where explosive atmospheres could be present.

Unless the risk analysis conducted by the employer indicates otherwise, all areas where an explosive atmosphere may be present must be equipped with devices and protective systems that meet the relevant category of the ATEX directive 2014/34/EU.

In particular in these zones the following categories of equipment should be used, as long as they are suitable for use with gases, vapours, mists or dusts:

- In Zone 0 or Zone 20: category 1 devices,
- In Zone 1 or Zone 21: category 1 or category 2 devices,
- In Zone 2 or Zone 22: category 1, category 2 or category 3 devices.

Zoning according to the directive 1999/92/EC

Explosion risk areas are classified into zones according to likelihood of explosive atmospheres occurring and their persistence.

Zone 0

An area which has a potentially explosive atmosphere that is a mixture of air and **flammable gases, vapours or mists**. The mixture is either permanently present or frequently present over long periods of time.

Zone 1

An area in which during normal operations a potentially explosive atmosphere of air and **flammable gases, vapours or mists** can occasionally form.

Zone 2

An area for which during normal operations there is at most only a short-term occurrence of a potentially explosive atmosphere of mixtures of air and **flammables gases, vapours or mists**.

Zone 20

An area where a potentially explosive atmosphere is present in the form of a **flammable dust** cloud in the air. This cloud is either permanently present or frequently present over long periods of time.

Zone 21

An area where, during normal operations, a potentially explosive atmosphere in the form of a **flammable dust** cloud in the air can occasionally form.

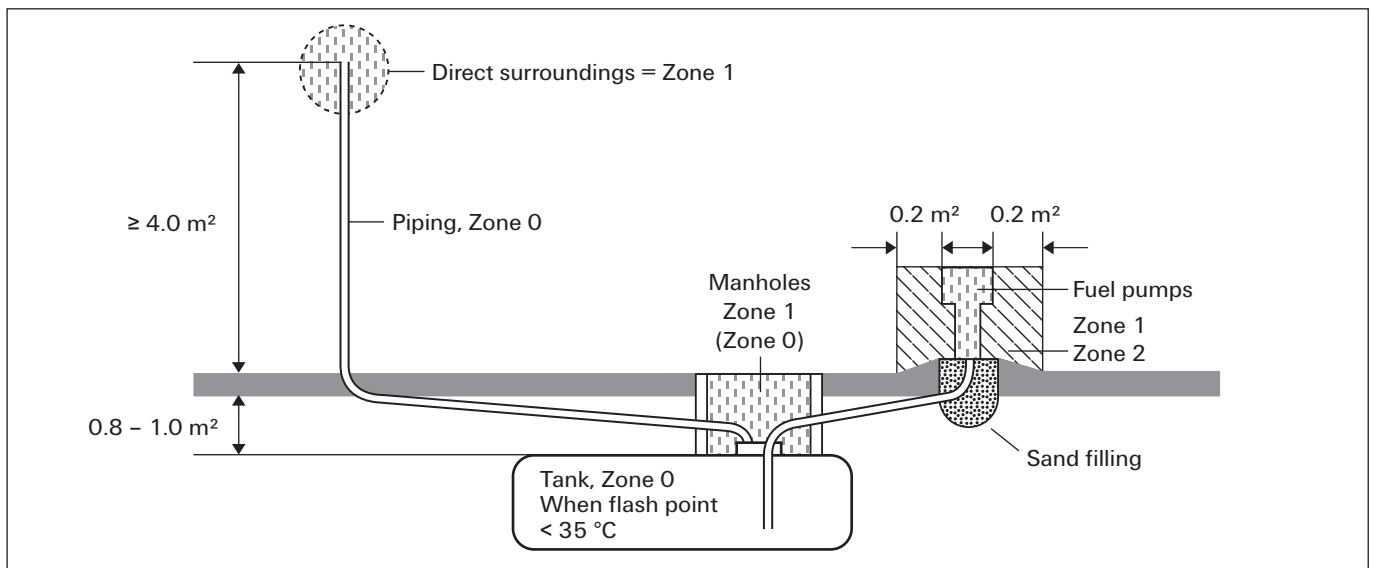
Zone 22

An area where, during normal operations, a potentially explosive atmosphere in the form of a **flammable dust** cloud in the air is not normally present or only present for a short time.

For the risk assessment and as well as the zoning concept described above, Ex devices themselves can be considered in an alternative process which uses the equipment protection level (EPL). These protective levels determine the internal ignition risk of a device where the sort of applied protection does not play a role.

Hazardous areas

	Zone 0	Zone 1	Zone 2	Safe zone
Explosion risk	Continual, long-term, often	Occasionally	Rarely	None
Spark source	None	Rarely and short-term	Occasionally	Continual, long-term, often



Typical division of zones at a fuelling station

The system of EPL classifications (Equipment Protection Level) is shown below.

Firedamp (methane) risk mines (Group I)

EPL Ma

Equipment for installation in mining applications, offering a „very high“ level of protection and which do not constitute a source of ignition during normal operation, or in the event of rarely occurring faults.

EPL Mb

Equipment for installation in a mine with a high level of protection. Has sufficient safety to ensure that there is no source of ignition in the period of time between the outbreak of gas and the time the equipment is switched off.

Gases (Group II)

EPL Ga

Equipment for explosive-risk gas atmospheres with a very high level of protection. No source of ignition is present during normal operation or when errors occur that cannot be necessarily expected on a regular basis.

EPL Gb

Equipment for explosive-risk gas atmospheres with a high level of protection. No source of ignition is present during normal operation or when errors occur that cannot be necessarily expected on a regular basis.

EPL Gc

Equipment for explosive-risk gas atmospheres with an elevated level of protection. No source of ignition is present during normal operation and it can have additional safeguards to ensure that none is present during faults which happen regularly (e. g. failure of a lamp).

Dust (Group III)

EPL Da

Equipment for combustible dust atmospheres with a very high level of protection. No source of ignition is present during normal operation or in very rare faults.

EPL Db

Equipment for combustible dust atmospheres with a high level of protection. No source of ignition is present during normal operation or when errors occur that cannot be necessarily expected on a regular basis.

EPL Dc

Equipment for combustible dust atmospheres with an elevated level of protection. No source of ignition is present during normal operation and it can have additional safeguards to ensure that none is present during faults which happen regularly (e. g. failure of a lamp).

Classification of explosive groups

Electrical devices for groups II and III are classified further as a function of the properties of the explosive atmosphere for which they are intended.

The danger of the atmosphere increases from IIA(IIIA) to IIC(IIIC) so that all equipment certified for use in IIC(IIIC) areas may also be used in IIA(IIIA) and IIB(IIIB) areas.

Classification of explosive groups

Group	Material, e.g.	Ignition energy	Group	Material
IIA	Propane	266 µJ	IIA	Flammable fluff
IIB	Ethylene	85 µJ	IIB	Non-conductive dust
IIC	Hydrogen	19 µJ	IIC	Conductive dust

Classification of zones and equipment categories

Combustible ingredients	Explosive atmospheres	Zone division	EPL safety level	Identification	
				Equipment group	Device category
Gas, mist, vapours/fumes (G / Gas)	permanent, long-term	Zone 0	Ga	II	1G
	occasionally	Zone 1	Gb	II	2G
	unlikely, short-term	Zone 2	Gc	II	3G
Dusts (D / Dust)	permanent, long-term	Zone 20	Da	II	1D
	occasionally	Zone 21	Db	II	2D
	unlikely, short-term	Zone 22	Dc	II	3D

ATEX directive 2014/34/EU

Article 96 of the Treaty on the Foundation of the European Union and Decision no. 768/2008/EU and Federal Gazette 96/309-356 govern the standardisation of legal regulations in the Member States. The ATEX directive 2014/34/EU sets out the basic requirements for health and safety protection as a directive following the new concept. It is aimed at manufacturers of equipment and components designed for used in potentially explosive atmosphere areas.

This directive had to be adopted without deviation into national law.

For Germany, this took the form of the passing of the Explosion Protection Ordinance (2015 ExVo 2015) of the Product Safety Act (ProdSG). It applies to all industrial potentially explosive areas, including mines, and also covers protection from dust-ignited explosions.

This directive sets out the requirements for the products depending on their equipment group and category. This is the category as set down by the directive 1999/92/EC applicable for each appropriate zone.

To prove conformity with the basic health and safety regulations, harmonised standards are used. If the requirements as laid out in the Official Journal of the EU are met, then it will be in compliance with the standard requirements for conformity (presumption of conformity). Various, mostly equivalent, protection types have been standardised harmoniously.

This conformity assessment process of the directives sets out different procedures. For device category 3, the manufacturer can perform the conformity assessment itself. For devices of categories 1 and 2, this conformity check must be carried out at a notified body in the form of a EC type-examination. In addition, quality assurance must be monitored for the devices of categories 1, 2 and 3.

Weidmüller has devices and components in its product range. Empty enclosures are components and are certified at the factory as such. Installing certified components does not create a certified equipment. To do this, additional tests must be carried out.

Weidmüller offers customer-specific devices available as certified solutions. The production of assembled enclosures is monitored by a notified body.

IECEX scheme

The IECEx scheme is an international certification scheme for products which meet the requirements of the international standards, e.g. the technical committee TC31's IEC standards.

The certificates awarded in this scheme are published on the IECEx website (www.iecex.com) as an electronic certificate. They can be viewed online and printed out.

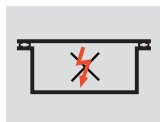
A Certificate of Conformity (CoC) refers to a test report (Ex Test Report ExTR) and on an assessment of the quality assessment report from the manufacturer (QAR).

The standards used for the production of the test report correspond almost entirely to the harmonised standards in Europe. Recent EN standards were initially adopted as IEC standards.

Protection concepts

The zoning described above provides the basis for the selection of the type of ignition protection. So, as an example, in the ATEX applicable areas, only ignition protection devices meeting Ex ia for Zone 0 (highest probability of an explosive atmosphere being present) are allowed.

Increased safety Ex e No sparks and a surface temperature limited to a safe level

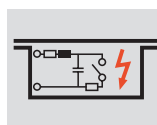


Increased safety is for products where there are no sparks produced during normal operation or in case of a failure. The surface temperature of the relevant parts is limited to a value below the ignition temperature.

Increased safety is achieved by reducing the current load and raising the isolation properties and by maintaining clearance and creepage distances above the value in an industrial application. The highest voltage permitted for this protection scheme is 11 kV (D.C. or A.C. rms).

This protection scheme is usually used for distribution cabinets..

Intrinsically safe Ex i Limited to a safe level of ignition energy

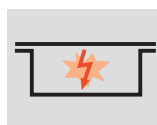


Intrinsic safety is for products where electrical energy which flows into the product, or is stored in the product, is not sufficient to ignite the surrounding explosive atmosphere. This also applies in fault conditions. The methods that achieve intrinsic safety mean that it is important that not only the devices installed in direct contact with the explosive atmosphere are constructed correctly, but also the electrical devices to which they are connected.

Intrinsically safe equipment and intrinsically safe parts of the associated equipment are divided into protection levels: ia (for zones 0, 1, and 2), ib (for zones 1 and 2), and ic (only for zone 2).

A typical application area are control and display circuits with low voltage and current.

Pressure-resistant Ex d encapsulation Limits the explosion to the inside of the enclosure



Pressure-resistant encapsulated enclosures are designed for devices where sparks are generated or which have hot surfaces which are a source of ignition during normal operation. Similarly, industrial components for use in potentially explosive atmospheres are often made suitable by encapsulating them in a pressure-resistant enclosure which otherwise could not be used.

The surrounding possibly explosive atmosphere can enter the enclosure and will produce an internal explosion during the equipment's lifespan.

The enclosure must therefore be stable enough to ensure that it is not deformed or destroyed by the pressure created. All connections of the enclosure are sized so that they cannot transmit an explosion from inside to the surrounding atmosphere. These connections are known as ignition gaps.

IP class of protection to DIN EN 60529

The ingress protection class or IP rating is indicated by a code consisting of the two letters IP and two digits representing the class of protection.

Example: **IP 65**
 | |
 2nd digit: protection from liquids
 1st digit: protection from solid bodies

Protection against intrusion of external particle matter (1st digit)

Code digit		
0		No protection
1		Protection against ingress of large solid bodies with diameter > 50 mm. (Protection to prevent dangerous parts being touched with the back of the hand.)
2		Protection against ingress of large solid bodies with diameter > 12.5 mm. (Protection to prevent dangerous parts being touched with the fingers.)
3		Protection against ingress of large solid bodies with diameter > 2.5 mm. (Protection to prevent dangerous parts being touched with a tool.)
4		Protection against ingress of large solid bodies with diameter > 1 mm. (Protection to prevent dangerous parts being touched with a piece of wire.)
5		Protection against harmful deposits of dust, which cannot enter in an amount sufficient to interfere with satisfactory operation.
6		Complete protection against ingress of dust.

Protection against penetration of liquids (2nd digit)

Code digit		
0		No protection
1		Protection against drops of condensed water falling vertically.
2		Protection against drops of liquid falling at an angle of 15° with respect to the vertical.
3		Protection against drops of liquid falling at an angle of 60° with respect to the vertical.
4		Protection against liquids splashed from any direction.
5		Protection against water jets projected by a nozzle from any direction.
6		Protection against water from heavy sea on ships' decks.
7		Protection against immersion in water under defined conditions of pressure and time.
8		Protection against indefinite immersion in water under defined conditions of pressure (which must be agreed between manufacturer and user and must be more adverse than number 7).

Definition of the protection degrees according to NEMA, UL and CSA

Type	NEMA	UL	CSA
Designation	National Electrical Manufacturers Association NEMA 250-1991	Underwriters Laboratories Inc. UL 50 und UL 508	Canadian Standards Association CSA-C22.2 No. 94-M91
Type 1	Enclosure predominately for indoor use. Protection against penetration by solid foreign bodies.	Enclosure predominately for indoor use. Protection against penetration by solid foreign bodies.	Enclosure for general use. Protection against accidental contact with live components.
Type 2	Enclosure predominately for indoor use. Protection against penetration by solid foreign bodies and water.	Enclosure predominately for indoor use. Protection against penetration by solid foreign bodies and water.	Enclosure for indoor use. Protection against non-corrosive drops/splashes of liquid and foreign bodies.
Type 3	Enclosure predominately for indoor use. Protection against penetration by rainfall and dust as well as damage due to ice formation.	Enclosure predominately for indoor use. Protection against penetration by rainfall and dust as well as damage due to ice formation.	Enclosure for indoor or outdoor use. Protection against penetration by rainfall and snow as well as damage due to ice formation.
Type 3R	Enclosure predominately for indoor use. Protection against rain and snow as damage due to ice-formation.	Enclosure predominately for indoor use. Protection against rain and snow as damage due to ice-formation.	Enclosure for indoor or outdoor use. Protection against penetration by rainfall and snow as well as damage due to ice formation.
Type 3S	Enclosure predominately for indoor use. Protection against rain, snow and foreign bodies. External mechanisms can be operated despite ice accumulation.	Enclosure predominately for indoor use. Protection against rain, snow and foreign bodies. External mechanisms can be operated despite ice accumulation.	Enclosure for indoor or outdoor use. Protection against rain, snow and foreign bodies. External mechanisms can be operated despite ice accumulation.
Type 4	Enclosure for indoor or outdoor use. Protection against rain, foreign bodies, splashing water and hose water as well as damage due to ice-formation on the outside of the enclosure.	Enclosure for indoor or outdoor use. Protection against rain, foreign bodies, splashing water and hose water as well as damage due to ice-formation on the outside of the enclosure.	Enclosure for indoor or outdoor use. Protection against rain, snow, foreign bodies, splashing water and hose water as well as damage due to ice-formation on the outside of the enclosure.
Type 4X	Enclosure for indoor or outdoor use. Protection against corrosion, rain, foreign bodies, splashing water and hose water as well as damage due to ice-formation on the outside of the enclosure.	Enclosure for indoor or outdoor use. Protection against corrosion, rain, foreign bodies, splashing water and hose water as well as damage due to ice-formation on the outside of the enclosure.	Enclosure for indoor or outdoor use. Protection against rain, foreign bodies, splashing water and hose water as well as damage due to ice-formation on the outside of the enclosure.
Type 6	Enclosure for indoor or outdoor use. Protection against hose water as well as against penetration by water during immersion; protection damage due to ice formation on the outside of the enclosure.	Enclosure for indoor or outdoor use. Protection against hose water as well as against penetration by water during immersion; protection damage due to ice formation on the outside of the enclosure.	Enclosure for indoor or outdoor use. Protection against penetration by water during immersion; protection damage due to ice formation on the outside of the enclosure.
Type 12	Enclosure for indoor use. Protection against dust accumulation, foreign bodies and non-corrosive drops of liquids.	Enclosure for indoor use. Protection against dust accumulation, foreign bodies and non-corrosive drops of liquids.	Enclosure for indoor or outdoor use. Protection against a build-up of dust, fibres and foreign bodies as well as against non-corrosive liquid drips, without pre-formed openings.
Type 13	Enclosure for indoor use. Protection against dust build-up, splashing water, oil, and non-corrosive coolants.	Enclosure for indoor use. Protection against dust build-up, splashing water, oil, and non-corrosive coolants.	Enclosure for indoor or outdoor use. Protection against a build-up of dust, fibres and foreign bodies as well as against non-corrosive liquid sprays including oil and coolants.

Cross-section	No. of conductors	Cable ø approx. mm	Metric cable glands				PG					
1.5 mm ² AWG 16	2	8.0 - 11.0	12	16	20	9	11	13.5	16			
	3	8.7 - 11.0	16	20	25	9	11	13.5	16			
	4	9.7 - 11.8	16	20	25	9	11	13.5	16			
	5	10.8 - 13.0		20	25		11	13.5	16			
	6	10.8 - 14.2		20	25		11	13.5	16			
	7	10.8 - 14.2		20	25		11	13.5	16			
	8	13.2 - 16.6			25	32		13.5	16	21		
	11	13.6 - 16.8			25	32		13.5	16	21		
	12	17.6 - 16.8			25	32		13.5	16	21		
	14	14.4 - 17.6			25	32			16	21		
	16	15.8 - 18.4			25	32			16	21		
	18	16.6 - 19.2			25	32			21	29		
	20	17.4 - 20.0			25	32	40		21	29		
	25	20.2 - 23.0				32	40		21	29		
	32	23.8 - 24.5					40			29	36	
	34	22.6 - 25.4					40			29	36	
	42	25.8 - 29.0					40	50		29	36	
	50	27.0 - 30.2					40	50		29	36	
	56	27.8 - 31.0					40	50		29	36	
	61	28.6 - 31.8					40	50			36	
80	33.0 - 36.4						50	63		36	42	
90	34.6 - 37.6						50	63		36	42	
100	37.8 - 41.4						50	63			42	
2.5 mm ² AWG 12-14	2	9.8 - 12.8	16	20	25	9	11	13.5	16			
	3	10.6 - 13.4		20	25		11	13.5	16			
	4	11.7 - 14.4		20	25		11	13.5	16			
	5	13.0 - 16.4		20	25	32		13.5	16	21		
	6	13.3 - 16.7			25	32		13.5	16	21		
	7	13.3 - 16.7			25	32		13.5	16	21		
	8	17.4 - 20.8			25	32	40		21	29		
	11	18.0 - 20.6			25	32	40		21	29		
	16	20.6 - 23.4				32	40		21	29		
	18	21.7 - 24.5					40			29	36	
	25	26.4 - 29.6					40	50		29	36	
	34	31.3 - 33.1					40	50			36	42
	50	37.0 - 39.4						50	63			42
61	39.0 - 41.5						50	63			42	
4 mm ² AWG 10-12	2	10.7 - 14.1	20	25		11	13.5	16	21			
	4	13.0 - 16.4		25	32		13.5	16	21			
	5	14.3 - 17.7		25	32		16	21				
	7	16.2 - 19.6		25	32			21	29	36		
	11	ca. 24.5				40			29	36		

Note:

The values can differ between manufacturers. These figures should be considered as rough guidelines.

Index

Index	Index Type	X.2
	Index Order No.	X.11
	Addresses worldwide	X.20

Type	Order No.	Page
A		
ADAP EX 1 1/2-1 1/2NPT	1738910000	0.73
ADAP EX 1 1/2NPT-1/2NPT	1738370000	0.73
ADAP EX 1 1/2NPT-1NPT	1738680000	0.73
ADAP EX 1 1/2NPT-3/4NPT	1738530000	0.73
ADAP EX 1 1/4NPT-1NPT	1738690000	0.73
ADAP EX 1/2NPT-3/4NPT	1738570000	0.73
ADAP EX 1/2NPT-M16	1737490000	0.73
ADAP EX 1/2NPT-M20	1737650000	0.73
ADAP EX 1/2NPT-M25	1737810000	0.73
ADAP EX 1NPT-1/2NPT	1738390000	0.73
ADAP EX 1NPT-3/4NPT	1738550000	0.73
ADAP EX 1NPT-M20	1737630000	0.73
ADAP EX 1NPT-M25	1737900000	0.73
ADAP EX 1NPT-M40	1738070000	0.73
ADAP EX 2 1/2NPT-M25	1737750000	0.73
ADAP EX 2NPT-1 1/4NPT	1738790000	0.73
ADAP EX 2NPT-M20	1737600000	0.73
ADAP EX 2NPT-M25	1737760000	0.73
ADAP EX 2NPT-M32	1737910000	0.73
ADAP EX 2NPT-M40	1738040000	0.73
ADAP EX 2NPT-M63	1738240000	0.73
ADAP EX 3/4NPT-1/2NPT	1738400000	0.73
ADAP EX 3/4NPT-M20	1737640000	0.73
ADAP EX 3/4NPT-M25	1737800000	0.73
ADAP EX 3/4NPT-M32	1737950000	0.73
ADAP EX 3NPT-M32	1737890000	0.73
ADAP EX 3NPT-M63	1738220000	0.73
ADAP EX M16-M20	1737730000	0.74
ADAP EX M20-1/2NPT	1738480000	0.74
ADAP EX M20-3/4NPT	1738640000	0.74
ADAP EX M20-M16	1737560000	0.74
ADAP EX M20-M20	1737720000	0.74
ADAP EX M20-M25	1737880000	0.74
ADAP EX M25-1NPT	1738760000	0.74
ADAP EX M25-3/4NPT	1738630000	0.74
ADAP EX M25-M16	1737550000	0.74
ADAP EX M25-M20	1737550000	0.74
ADAP EX M25-M20	1737710000	0.74
ADAP EX M25-M20	1737710000	0.74
ADAP EX M25-M32	1738010000	0.74
ADAP EX M32-1 1/4NPT	1738870000	0.74
ADAP EX M32-1/2NPT	1738460000	0.74
ADAP EX M32-1NPT	1738750000	0.74
ADAP EX M32-M16	1737540000	0.74
ADAP EX M32-M20	1737700000	0.74
ADAP EX M32-M25	1737860000	0.74
ADAP EX M32-M40	1738120000	0.74
ADAP EX M40-1/2NPT	1738450000	0.74
ADAP EX M40-1NPT	1738740000	0.74
ADAP EX M40-3/4NPT	1738610000	0.74
ADAP EX M40-M16	1737530000	0.74
ADAP EX M40-M20	1737690000	0.74
ADAP EX M40-M25	1737850000	0.74
ADAP EX M40-M32	1737990000	0.74
ADAP EX M40-M50	1738210000	0.74
ADAP EX M50-1/4NPT	1738850000	0.74
ADAP EX M50-1/2NPT	1738440000	0.74
ADAP EX M50-1NPT	1738730000	0.74
ADAP EX M50-3/4NPT	1738600000	0.74
ADAP EX M50-M20	1737680000	0.74
ADAP EX M50-M25	1737840000	0.74
ADAP EX M50-M32	1737980000	0.74
ADAP EX M50-M40	1738100000	0.74
ADAP EX M50-M63	1738280000	0.74
ADAP EX M63-1 1/2NPT	1738940000	0.74
ADAP EX M63-1 1/4NPT	1738840000	0.74
ADAP EX M63-1/2NPT	1738430000	0.74
ADAP EX M63-1NPT	1738720000	0.74
ADAP EX M63-2 1/2NPT	1739080000	0.74
ADAP EX M63-3/4NPT	1738590000	0.74
ADAP EX M63-M20	1737670000	0.74
ADAP EX M63-M25	1737830000	0.74
ADAP EX M63-M32	1737970000	0.74
ADAP EX M63-M40	1738090000	0.74
ADAP EX M63-M50	1738190000	0.74
ADAP EX M63-M75	1738330000	0.74
ADAP EX M75-1 1/2NPT	1738930000	0.74
ADAP EX M75-1 1/4NPT	1738830000	0.74
ADAP EX M75-1/2NPT	1738420000	0.74
ADAP EX M75-1NPT	1738710000	0.74
ADAP EX M75-2 1/2NPT	1739070000	0.74
ADAP EX M75-2NPT	1739010000	0.74
ADAP EX M75-3/4NPT	1738580000	0.74
ADAP EX M75-3NPT	1739110000	0.74
ADAP EX M75-M50	1738180000	0.74
ADAP EX M75-M63	1738260000	0.74

B		
BK 4/E	7906800000	B.44

C		
CABTITE KEL 16/2	1825860000	E.5
CABTITE KEL 16/4	1825900000	E.5
CABTITE KEL 16/4 EMV	1825750000	E.8

Type	Order No.	Page
CABTITE KEL 16/5	1849770000	E.5
CABTITE KEL 16/8	1825910000	E.5
CABTITE KEL 24/10	1827760000	E.5
CABTITE KEL 24/4	1825930000	E.5
CABTITE KEL 24/5	1825940000	E.5
CABTITE KEL 24/5 EMV	1825760000	E.8
CABTITE KEL 24/7	1849760000	E.5
CABTITE KEL B1	1048170000	E.6
CABTITE KEL B4	1048180000	E.6
CABTITE KEL SNAP 16	1827770000	E.5
CABTITE KEL SNAP 24	1827780000	E.5
CABTITE KEL SNAP B4	1048190000	E.6
CABTITE KEL-DP 24/14	1039850000	E.7
CABTITE KEL-DP 24/17	1039870000	E.7
CABTITE KEL-DP 24/19	1039890000	E.7
CABTITE KEL-DP 24/26	1039930000	E.7
CABTITE KEL-DP 24/48	1039940000	E.7
CABTITE KEL-DP 24/50	1039950000	E.7
CABTITE KEL-DP 32/10	1040310000	E.7
CABTITE KEL-DP 32/10/2	1040120000	E.7
CABTITE KEL-DP 50/12	1040330000	E.7
CABTITE KEL-DP 50/12/2	1040160000	E.7
CABTITE KEL-DP 50/16	1040350000	E.7
CABTITE KEL-DP 50/16/2	1040180000	E.7
CABTITE KEL-DP 50/18/2	1040210000	E.7
CABTITE KEL-DP 50/20	1040370000	E.7
CABTITE KEL-DP 50/20/2	1040240000	E.7
CABTITE KEL-DP 50/9	1040320000	E.7
CABTITE KEL-DP 50/9/2	1040130000	E.7
CABTITE KT 10	1826530000	E.3
CABTITE KT 10 b	1827870000	E.3
CABTITE KT 11	1826540000	E.3
CABTITE KT 11 b	1827880000	E.3
CABTITE KT 12	1826550000	E.3
CABTITE KT 12 b	1827890000	E.3
CABTITE KT 13	1826560000	E.3
CABTITE KT 13 b	1827900000	E.3
CABTITE KT 14	1826570000	E.3
CABTITE KT 14 b	1827910000	E.3
CABTITE KT 15	1826580000	E.3
CABTITE KT 15 b	1827920000	E.3
CABTITE KT 16	1826590000	E.3
CABTITE KT 16 b	1827950000	E.3
CABTITE KT 17	1826300000	E.3
CABTITE KT 17 b	1827960000	E.3
CABTITE KT 18	1826310000	E.3
CABTITE KT 18 b	1827970000	E.3
CABTITE KT 19	1826320000	E.3
CABTITE KT 19 b	1827980000	E.3
CABTITE KT 2/4	1826620000	E.3
CABTITE KT 2/4 b	1828130000	E.3
CABTITE KT 2/5	1826630000	E.3
CABTITE KT 2/5 b	1828140000	E.3
CABTITE KT 2/6	1826640000	E.3
CABTITE KT 2/6 b	1828150000	E.3
CABTITE KT 20	1826330000	E.3
CABTITE KT 20 b	1827990000	E.3
CABTITE KT 21	1826340000	E.3
CABTITE KT 21 b	1828000000	E.3
CABTITE KT 22	1826350000	E.3
CABTITE KT 22 b	1828010000	E.3
CABTITE KT 23	1826360000	E.3
CABTITE KT 23 b	1828020000	E.3
CABTITE KT 24	1826370000	E.3
CABTITE KT 24 b	1828030000	E.3
CABTITE KT 25	1826380000	E.3
CABTITE KT 25 b	1828040000	E.3
CABTITE KT 26	1826390000	E.3
CABTITE KT 26 b	1828050000	E.3
CABTITE KT 27	1826400000	E.3
CABTITE KT 28	1826410000	E.3
CABTITE KT 28 b	1828070000	E.3
CABTITE KT 29	1826420000	E.3
CABTITE KT 29 b	1828080000	E.3
CABTITE KT 3	1826460000	E.3
CABTITE KT 3 b	1827790000	E.3
CABTITE KT 30	1826430000	E.3
CABTITE KT 30 b	1828090000	E.3
CABTITE KT 32	1826440000	E.3
CABTITE KT 32 b	1828100000	E.3
CABTITE KT 34	1826450000	E.3
CABTITE KT 34 b	1828110000	E.3
CABTITE KT 4	1826470000	E.3
CABTITE KT 4 b	1827800000	E.3
CABTITE KT 4/5	1826650000	E.3
CABTITE KT 4/5 b	1828160000	E.3
CABTITE KT 5	1826480000	E.3
CABTITE KT 5 b	1827810000	E.3
CABTITE KT 6	1826490000	E.3
CABTITE KT 6 b	1827830000	E.3
CABTITE KT 7	1826500000	E.3
CABTITE KT 7 b	1827840000	E.3
CABTITE KT 8	1826510000	E.3
CABTITE KT 8 b	1827850000	E.3
CABTITE KT 9	1826520000	E.3
CABTITE KT 9 b	1827860000	E.3
CABTITE KT ASI	1826610000	E.3
CABTITE KT ASI b	1828120000	E.3
CABTITE KT ATG	1828190000	E.3

Type	Order No.	Page
CABTITE KT ATG b	1828220000	E.3
CABTITE KT BTG	1828180000	E.3
CABTITE KT BTG b	1828210000	E.3
CABTITE KT BTK	1828170000	E.3
CABTITE KT BTK b	1828200000	E.3
CABTITE KTs 16	1826590000	E.3
CABTITE KTs 16 b	1827930000	E.3
CABTITE KTs 17	1826600000	E.3
CABTITE KTs 17 b	1827940000	E.3
CABTITE KVT 25	1826660000	E.10
CABTITE KVT 32	1826670000	E.10
CABTITE KVT 63-1	1828240000	E.10
CABTITE KVT 63-4	1828230000	E.10
CABTITE KZL 140 C	1040030000	E.9
CABTITE KZL 140 TS39	1039960000	E.9
CABTITE KZL 39 C	1040080000	E.9
CABTITE KZL 39 TS35	1039990000	E.9
CABTITE KZL 80 C	1040060000	E.9
CABTITE KZL 80 TS35	1039970000	E.9
Cabrite Sample Kit	1849780000	E.2
CABTITE SUBD9	1828250000	E.10
CROSS-KEY MASTER	9918150000	F.25
CROSS-KEY UNIVERSAL	9918130000	F.25
CROSS-KEY UNIVERSAL S	9918140000	F.25

D		
DAE M12 PA long	1868570000	C.71
DAE M12 PA long	1868570000	D.75
DAE M12 PA short	1868560000	D.75
DAE M12 SS	1868550000	C.71
DAE M12 SS	1868550000	D.76
DESC M6X14 KTB SET	1253230000	B.36
DESC M6X14 KTB SET	1253230000	C.64
DMS MANUELL 0,5-1,7	9918370000	F.13
DMS MANUELL 2,0-8,0	9918380000	F.13
DMS MANUELL 0,5-1,7	9918390000	F.14
DMS MANUELL 2,0-8,0	9918400000	F.14
DOHA KTB A4 S2 R	1252730000	B.39
DOHA KTB A4 S2 R	1252730000	C.64
DOHA KTB A5 S2 R	1252750000	C.26
DOHA KTB A5 S2 R	1252750000	C.64
DOHA KTB A6 S2 R	1252780000	B.37
DOHA KTB A6 S2 R	1252780000	C.64

E		
EA-RING MS/M 16	1736480000	D.61
EA-RING MS/M 20	1736490000	D.61
EA-RING MS/M 25	1736500000	D.61
EA-RING MS/M 32	1736510000	D.61
EA-RING MS/M 40	1736520000	D.61
EA-RING MS/M 50	1736530000	D.61
EA-RING MS/M 63	1736540000	D.61
EA-RING MS/M 75	1736550000	D.61
EA-RING MS/M16 SC	0930710001	D.62
EA-RING MS/M20 SC	0930710002	D.62
EA-RING MS/M25 SC	0930710003	D.62
EA-RING MS/M32 SC	0930710004	D.62
EA-RING MS/M40 SC	0930710005	D.62
EA-RING MS/M50 SC	0930710006	D.62
EA-RING MS/M63 SC	0930710007	D.62
EA-RING MS/M75 SC	0930710008	D.62

F		
FKSC M4X6 D8/SW2	1567480000	C.154
FKSC M4X6 D8/SW2	1567480000	C.171
FKSC M6		

Type	Order No.	Page	Type	Order No.	Page	Type	Order No.	Page	Type	Order No.	Page
KLIPPON K MF KIT 25	9527590000	C.128	KLIPPON K21 M16ACSS EX	8000004212	B.44	KLIPPON K5 4M20WCSS EX	8000004218	B.44	KLIPPON POK 081106 EX	1306010000	C.132
KLIPPON K0	0573200000	C.108	KLIPPON K21 M16ACSS EX	8000004212	B.49	KLIPPON K5 4M20WCSS EX	8000004218	B.54	KLIPPON POK 081106 EX	1306010000	C.135
KLIPPON K0	0573200000	C.110	KLIPPON K21 M16ZCSS EX	8000004211	B.44	KLIPPON K5 4M20ZCSS EX	8000004219	B.44	KLIPPON POK 081606	1305830000	B.56
KLIPPON K0 RAL7001	9529090000	C.108	KLIPPON K21 M16ZCSS EX	8000004211	B.49	KLIPPON K5 4M20ZCSS EX	8000004219	B.54	KLIPPON POK 081606	1305830000	C.132
KLIPPON K0 RAL7001	9529090000	C.110	KLIPPON K21 RAL7001	9529150000	C.108	KLIPPON K5 EX	9526930000	C.108	KLIPPON POK 081606	1305830000	C.136
KLIPPON K0 VMQ	1939760000	C.108	KLIPPON K21 RAL7001	9529150000	C.116	KLIPPON K5 EX	9526930000	C.122	KLIPPON POK 081606 EX	1306020000	C.132
KLIPPON K0 VMQ	1939760000	C.110	KLIPPON K21 VMQ	1939590000	C.108	KLIPPON K5 EX RAL7001	1329720000	C.108	KLIPPON POK 081606 EX	1306020000	C.136
KLIPPON K0 VMQ RAL7001	1937920000	C.108	KLIPPON K21 VMQ	1939590000	C.116	KLIPPON K5 EX RAL7001	1329720000	C.122	KLIPPON POK 081906	1305840000	C.132
KLIPPON K0 VMQ RAL7001	1937920000	C.110	KLIPPON K21 VMQ RAL7001	1937830000	C.108	KLIPPON K5 RAL7001	9529210000	C.108	KLIPPON POK 081906	1305840000	C.137
KLIPPON K01	1565240000	B.44	KLIPPON K21 VMQ RAL7001	1937830000	C.116	KLIPPON K5 RAL7001	9529210000	C.122	KLIPPON POK 081906 EX	1306030000	C.132
KLIPPON K01	1565240000	C.108	KLIPPON K3	0342200000	B.44	KLIPPON K5 VMQ	1939650000	C.108	KLIPPON POK 081906 EX	1306030000	C.137
KLIPPON K01	1565240000	C.111	KLIPPON K3	0342200000	C.108	KLIPPON K5 VMQ	1939650000	C.122	KLIPPON POK 082306	1305850000	C.132
KLIPPON K01 1M16AB CSS	8000004184	B.44	KLIPPON K3	0342200000	C.117	KLIPPON K5 VMQ RAL7001	1937860000	C.108	KLIPPON POK 082306	1305850000	C.138
KLIPPON K01 RAL7001	9529100000	C.108	KLIPPON K3 4M20AB CSS	8000004153	B.44	KLIPPON K5 VMQ RAL7001	1937860000	C.122	KLIPPON POK 082306 EX	1306040000	C.132
KLIPPON K01 RAL7001	9529100000	C.111	KLIPPON K3 4M20AB CSS	8000004153	B.50	KLIPPON K51	1565280000	C.108	KLIPPON POK 082306 EX	1306040000	C.138
KLIPPON K01 VMQ	1939540000	C.108	KLIPPON K3 EX	9526880000	C.108	KLIPPON K51	1565280000	C.123	KLIPPON POK 121209	1305870000	B.56
KLIPPON K01 VMQ	1939540000	C.111	KLIPPON K3 EX	9526880000	C.117	KLIPPON K51 EX	9526940000	C.108	KLIPPON POK 121209	1305870000	C.132
KLIPPON K01 VMQ RAL7001	1937850000	C.108	KLIPPON K3 EX RAL7001	1329670000	C.108	KLIPPON K51 EX	9526940000	C.123	KLIPPON POK 121209	1305870000	C.139
KLIPPON K01 VMQ RAL7001	1937850000	C.111	KLIPPON K3 EX RAL7001	1329670000	C.117	KLIPPON K51 EX RAL7001	1328130000	C.108	KLIPPON POK 121209 EX	1306050000	C.132
KLIPPON K02	1565250000	C.108	KLIPPON K3 M20BCSS EX	8000004213	B.44	KLIPPON K51 EX RAL7001	1328130000	C.123	KLIPPON POK 121209 EX	1306050000	C.139
KLIPPON K02	1565250000	C.112	KLIPPON K3 M20BCSS EX	8000004213	B.50	KLIPPON K51 RAL7001	9529220000	C.108	KLIPPON POK 122209	1305880000	C.132
KLIPPON K02 RAL7001	9529110000	C.108	KLIPPON K3 RAL7001	9529160000	C.108	KLIPPON K51 RAL7001	9529220000	C.123	KLIPPON POK 122209	1305880000	C.140
KLIPPON K02 RAL7001	9529110000	C.112	KLIPPON K3 RAL7001	9529160000	C.117	KLIPPON K51 VMQ	1939660000	C.108	KLIPPON POK 122209 EX	1306070000	C.132
KLIPPON K02 VMQ	1939550000	C.108	KLIPPON K3 VMQ	1939600000	C.108	KLIPPON K51 VMQ	1939660000	C.123	KLIPPON POK 122209 EX	1306070000	C.140
KLIPPON K02 VMQ	1939550000	C.112	KLIPPON K3 VMQ	1939600000	C.117	KLIPPON K51 VMQ RAL7001	1937750000	C.108	KLIPPON POK 161609	1305890000	B.56
KLIPPON K02 VMQ RAL7001	1937840000	C.108	KLIPPON K3 VMQ RAL7001	1937900000	C.108	KLIPPON K51 VMQ RAL7001	1937750000	C.123	KLIPPON POK 161609	1305890000	C.132
KLIPPON K02 VMQ RAL7001	1937840000	C.112	KLIPPON K3 VMQ RAL7001	1937900000	C.117	KLIPPON K52	1565290000	B.44	KLIPPON POK 161609	1305890000	C.141
KLIPPON K1	0342000000	B.44	KLIPPON K31	0573500000	B.44	KLIPPON K52	1565290000	C.108	KLIPPON POK 161609 EX	1306080000	C.132
KLIPPON K1	0342000000	C.108	KLIPPON K31	0573500000	C.108	KLIPPON K52	1565290000	C.124	KLIPPON POK 161609 EX	1306080000	C.141
KLIPPON K1	0342000000	C.113	KLIPPON K31	0573500000	C.118	KLIPPON K52 EX	9526950000	C.108	KLIPPON POK 161609	1305900000	C.132
KLIPPON K1 1,5M16AB CSS	8000004147	B.44	KLIPPON K31 4M20AB CSS	8000004154	B.44	KLIPPON K52 EX	9526950000	C.124	KLIPPON POK 162609	1305900000	C.142
KLIPPON K1 1,5M16AB CSS	8000004147	B.46	KLIPPON K31 4M20AB CSS	8000004154	B.51	KLIPPON K52 EX RAL7001	1329730000	C.108	KLIPPON POK 162609 EX	1306090000	C.132
KLIPPON K1 1M20AB CSS	8000004148	B.44	KLIPPON K31 EX	9526890000	C.108	KLIPPON K52 EX RAL7001	1329730000	C.124	KLIPPON POK 162609 EX	1306090000	C.142
KLIPPON K1 1M20AB CSS	8000004148	B.46	KLIPPON K31 EX	9526890000	C.118	KLIPPON K52 M20WCSS EX	8000004220	B.44	KLIPPON POK 163609	1305910000	C.132
KLIPPON K1 EX	9526880000	C.108	KLIPPON K31 EX RAL7001	1329680000	C.108	KLIPPON K52 M20WCSS EX	8000004220	B.55	KLIPPON POK 163609	1305910000	C.143
KLIPPON K1 EX	9526880000	C.113	KLIPPON K31 EX RAL7001	1329680000	C.118	KLIPPON K52 M20ZCSS EX	8000004221	B.44	KLIPPON POK 163609 EX	1306100000	C.132
KLIPPON K1 EX RAL7001	1329630000	C.108	KLIPPON K31 M20ACSS EX	8000004215	B.51	KLIPPON K52 M20ZCSS EX	8000004221	B.55	KLIPPON POK 163609 EX	1306100000	C.143
KLIPPON K1 EX RAL7001	1329630000	C.113	KLIPPON K31 M20ZCSS EX	8000004214	B.44	KLIPPON K52 RAL7001	9529230000	C.108	KLIPPON POK 165609	1305920000	C.132
KLIPPON K1 M16BCSS EX	8000004202	B.44	KLIPPON K31 M20ZCSS EX	8000004214	B.51	KLIPPON K52 RAL7001	9529230000	C.124	KLIPPON POK 165609	1305920000	C.144
KLIPPON K1 M16BCSS EX	8000004202	B.46	KLIPPON K31 RAL7001	9529170000	C.108	KLIPPON K52 VMQ	1939670000	C.108	KLIPPON POK 165609 EX	1306110000	C.132
KLIPPON K1 M16BCSS EX	8000004202	B.44	KLIPPON K31 RAL7001	9529170000	C.118	KLIPPON K52 VMQ	1939670000	C.124	KLIPPON POK 165609 EX	1306110000	C.144
KLIPPON K1 M20BCSS EX	8000004203	B.44	KLIPPON K31 VMQ	1939610000	C.108	KLIPPON K52 VMQ RAL7001	1937740000	C.108	KLIPPON POK 165609 EX	1306110000	C.144
KLIPPON K1 M20BCSS EX	8000004203	B.46	KLIPPON K31 VMQ	1939610000	C.118	KLIPPON K52 VMQ RAL7001	1937740000	C.124	KLIPPON POK 252512	1305930000	C.132
KLIPPON K1 RAL7001	9529120000	C.108	KLIPPON K31 VMQ RAL7001	1937820000	C.108	KLIPPON K6	0342500000	C.108	KLIPPON POK 252512 EX	1306120000	C.132
KLIPPON K1 RAL7001	9529120000	C.113	KLIPPON K31 VMQ RAL7001	1937820000	C.118	KLIPPON K6	0342500000	C.125	KLIPPON POK 252512 EX	1306120000	C.145
KLIPPON K1 VMQ	1939560000	C.108	KLIPPON K32	1565260000	C.108	KLIPPON K6 EX	9526960000	C.108	KLIPPON POK 252516	1305980000	C.132
KLIPPON K1 VMQ	1939560000	C.113	KLIPPON K32	1565260000	C.118	KLIPPON K6 EX	9526960000	C.125	KLIPPON POK 252516	1305980000	C.146
KLIPPON K1 VMQ RAL7001	1937630000	C.108	KLIPPON K32 EX	9526900000	C.108	KLIPPON K6 EX RAL7001	1329740000	C.108	KLIPPON POK 252516 EX	1306170000	C.132
KLIPPON K1 VMQ RAL7001	1937630000	C.113	KLIPPON K32 EX	9526900000	C.119	KLIPPON K6 EX RAL7001	1329740000	C.125	KLIPPON POK 252516 EX	1306170000	C.146
KLIPPON K11	0573300000	B.44	KLIPPON K32 EX RAL7001	1329690000	C.108	KLIPPON K6 RAL7001	9529240000	C.108	KLIPPON POK 254012	1305940000	C.132
KLIPPON K11	0573300000	C.108	KLIPPON K32 EX RAL7001	1329690000	C.118	KLIPPON K6 RAL7001	9529240000	C.125	KLIPPON POK 254012	1305940000	C.147
KLIPPON K11	0573300000	C.114	KLIPPON K32 EX RAL7001	1329690000	C.119	KLIPPON K6 RAL7001	9529240000	C.128	KLIPPON POK 254012 EX	1306130000	C.132
KLIPPON K11 2M16AB CSS	8000004149	B.44	KLIPPON K32 RAL7001	9529180000	C.108	KLIPPON K6 VMQ	1939690000	C.108	KLIPPON POK 254012 EX	1306130000	C.147
KLIPPON K11 2M16AB CSS	8000004149	B.44	KLIPPON K32 RAL7001	9529180000	C.118	KLIPPON K6 VMQ	1939690000	C.125	KLIPPON POK 254012 EX	1306130000	C.147
KLIPPON K11 2M20AB CSS	8000004150	B.47	KLIPPON K32 VMQ	1939620000	C.108	KLIPPON K6 VMQ RAL7001	1937870000	C.108	KLIPPON POK 254016	1305990000	C.132
KLIPPON K11 2M20AB CSS	8000004150	B.47	KLIPPON K32 VMQ	1939620000	C.119	KLIPPON K6 VMQ RAL7001	1937870000	C.125	KLIPPON POK 254016	1305990000	C.148
KLIPPON K11 EX	9526850000	C.108	KLIPPON K32 VMQ RAL7001	1937810000	C.108	KLIPPON K61	0573600000	C.108	KLIPPON POK 254016 EX	1306180000	C.132
KLIPPON K11 EX	9526850000	C.114	KLIPPON K32 VMQ RAL7001	1937810000	C.119	KLIPPON K61	0573600000	C.126	KLIPPON POK 254016 EX	1306180000	C.148
KLIPPON K11 EX RAL7001	1329640000	C.108	KLIPPON K4	0342300000	B.44	KLIPPON K61 EX	9526970000	C.108	KLIPPON POK 256012	1305950000	C.132
KLIPPON K11 EX RAL7001	1329640000	C.114	KLIPPON K4	0342300000	C.108	KLIPPON K61 EX	9526970000	C.126	KLIPPON POK 256012	1305950000	C.149
KLIPPON K11 M16ACSS EX	8000004207	B.44	KLIPPON K4	0342300000	C.120	KLIPPON K61 EX RAL7001	1328140000	C.108	KLIPPON POK 256012 EX	1306140000	C.132
KLIPPON K11 M16ACSS EX	8000004207	B.47	KLIPPON K4 2M20AB CSS	8000004155	B.44	KLIPPON K61 EX RAL7001	1328140000	C.126	KLIPPON POK 256012 EX	1306140000	C.149
KLIPPON K11 M16ZCSS EX	8000004204	B.44	KLIPPON K4 2M20AB CSS	8000004155	B.52	KLIPPON K61 RAL7001	9529250000	C.108	KLIPPON POK 404012	1305970000	C.132
KLIPPON K11 M16ZCSS EX	8000004204	B.47	KLIPPON K4 EX	9526910000	C.108	KLIPPON K61 RAL7001	9529250000	C.126	KLIPPON POK 404012	1305970000	C.150
KLIPPON K11 M20ACSS EX	8000004209	B.44	KLIPPON K4 EX	9526910000	C.120	KLIPPON K61 VMQ	1939700000	C.108	KLIPPON POK 404012 EX	1306150000	C.132
KLIPPON K11 M20ACSS EX	8000004209	B.47	KLIPPON K4 EX RAL7001	1329700000	C.108	KLIPPON K61 VMQ	1939700000	C.126	KLIPPON POK 404012 EX	1306150000	C.150
KLIPPON K11 M20ZCSS EX	8000004208	B.44	KLIPPON K4 EX RAL7001	1329700000	C.120	KLIPPON K61 VMQ RAL7001	1937730000	C.108	KLIPPON POK 2M16AB CSS	8000004160	B.58
KLIPPON K11 M20ZCSS EX	8000004208	B.47	KLIPPON K4 M20ZCSS EX	8000004217	B.52	KLIPPON K61 VMQ RAL7001	1937730000	C.126	KLIPPON POK 2M16AB CSS	8000004160	B.56
KLIPPON K11 RAL7001	9529130000	C.108	KLIPPON K4 RAL7001	9529190000	C.108	KLIPPON K7	0342600000	C.108	KLIPPON POK 1M16ACSS EX	8000004223	B.58
KLIPPON K11 RAL7001	9529130000	C.114	KLIPPON K4 RAL7001	9529190000	C.120	KLIPPON K7	0342600000	C.127	KLIPPON POK 1M16ACSS EX	8000004223	B.56
KLIPPON K11 VMQ	1939570000	C.108	KLIPPON K4 VMQ	1939630000	C.108	KLIPPON K7 EX	9526980000	C.108	KLIPPON POK 1M16BCSS EX	8000004222	B.58
KLIPPON K11 VMQ	1939570000	C.114	KLIPPON K4 VMQ	1939630000	C.120	KLIPPON K7 EX	9526980000	C.127	KLIPPON POK 1M16BCSS EX	8000004222	B.56
KLIPPON K11 VMQ RAL7001	1937910000	C.108	KLIPPON K4 VMQ RAL7001	1937890000	C.108	KLIPPON K7 EX RAL7001	1329750000	C.108	KLIPPON POK 2M20AB CSS	8000004161	B.59
KLIPPON K11 VMQ RAL7001	1937910000	C.114	KLIPPON K4 VMQ RAL7001	1937890000	C.120	KLIPPON K7 EX RAL7001	1329750000	C.127	KLIPPON POK 2M20AB CSS	8000004161	B.56
KLIPPON K2	0342100000	B.44	KLIPPON K41	1565270000	B.44	KLIPPON K7 EX RAL7001	1329750000	C.128	KLIPPON POK 2M20ACSS EX	8000004225	B.59
KLIPPON K2	0342100000	C.1									

Type	Order No.	Page	Type	Order No.	Page	Type	Order No.	Page	Type	Order No.	Page
KTB GP 765015 CD S4 6MM	1256670000	C.34	KTB MH 403015 S4E1	1194910000	C.24	KTB MH 916115 S4E3	1195530000	C.14	KTB MOPL 4538 MSZN H	2022590000	C.26
KTB GP 765015 CD S4 6MM	1256670000	C.60	KTB MH 403015 S4E2	1194920000	C.14	KTB MH 916115 S4E3	1195530000	C.36	KTB MOPL 4538 MSZN H	2022590000	C.27
KTB GP 765015 CD S4 PE	2024090000	C.34	KTB MH 403015 S4E2	1194920000	C.24	KTB MH 916115 S4E4	1195540000	C.14	KTB MOPL 4538 MSZN H	2022590000	C.52
KTB GP 765020 CD S4 PE	2024090000	C.60	KTB MH 403015 S4E3	1194930000	C.14	KTB MH 916115 S4E4	1195540000	C.36	KTB MOPL 4538 MSZN H	2022590000	C.53
KTB GP 765020 CD S4 6MM	1256680000	C.35	KTB MH 403015 S4E3	1194930000	C.24	KTB MH 916120 S4E1	1195560000	C.14	KTB MOPL 4538 SZN	1193860000	C.26
KTB GP 765020 AB S4 6MM	1256680000	C.61	KTB MH 403015 S4E4	1194940000	C.14	KTB MH 916120 S4E1	1195560000	C.37	KTB MOPL 4538 SZN	1193860000	C.27
KTB GP 765020 AB S4 PE	2024100000	C.35	KTB MH 403015 S4E4	1194940000	C.24	KTB MH 916120 S4E2	1195570000	C.14	KTB MOPL 4538 SZN	1193860000	C.52
KTB GP 765020 AB S4 PE	2024100000	C.61	KTB MH 403020 S4E1	1194960000	C.14	KTB MH 916120 S4E2	1195570000	C.37	KTB MOPL 4538 SZN	1193860000	C.53
KTB GP 765020 CD S4 6MM	1256690000	C.35	KTB MH 403020 S4E1	1194960000	C.25	KTB MH 916120 S4E3	1195580000	C.14	KTB MOPL 4538 SZN H	1257700000	C.26
KTB GP 765020 CD S4 6MM	1256690000	C.61	KTB MH 403020 S4E2	1194970000	C.14	KTB MH 916120 S4E3	1195580000	C.37	KTB MOPL 4538 SZN H	1257700000	C.27
KTB GP 765020 CD S4 PE	2024140000	C.35	KTB MH 403020 S4E2	1194970000	C.25	KTB MH 916120 S4E4	1195590000	C.14	KTB MOPL 4538 SZN H	1257700000	C.52
KTB GP 765020 CD S4 PE	2024140000	C.61	KTB MH 403020 S4E3	1194980000	C.14	KTB MH 916120 S4E4	1195590000	C.37	KTB MOPL 4538 SZN H	1257700000	C.53
KTB GP 916115 AB S4 6MM	1256710000	C.36	KTB MH 403020 S4E3	1194980000	C.25	KTB MH 987420 S4E1	1195610000	C.14	KTB MOPL 4848 MSZN	1194000000	C.28
KTB GP 916115 AB S4 6MM	1256710000	C.62	KTB MH 403020 S4E4	1194990000	C.14	KTB MH 987420 S4E1	1195610000	C.38	KTB MOPL 4848 MSZN	1194000000	C.29
KTB GP 916115 AB S4 PE	2024150000	C.36	KTB MH 403020 S4E4	1194990000	C.25	KTB MH 987420 S4E2	1195620000	C.14	KTB MOPL 4848 MSZN	1194000000	C.54
KTB GP 916115 AB S4 PE	2024150000	C.62	KTB MH 453815 S4E1	1195010000	C.14	KTB MH 987420 S4E2	1195620000	C.38	KTB MOPL 4848 MSZN	1194000000	C.55
KTB GP 916115 CD S4 6MM	1256720000	C.36	KTB MH 453815 S4E1	1195010000	C.26	KTB MH 987420 S4E3	1195630000	C.14	KTB MOPL 4848 MSZN H	2022610000	C.28
KTB GP 916115 CD S4 6MM	1256720000	C.62	KTB MH 453815 S4E2	1195020000	C.14	KTB MH 987420 S4E3	1195630000	C.38	KTB MOPL 4848 MSZN H	2022610000	C.29
KTB GP 916115 CD S4 PE	2024300000	C.36	KTB MH 453815 S4E2	1195020000	C.26	KTB MH 987420 S4E4	1195640000	C.14	KTB MOPL 4848 MSZN H	2022610000	C.54
KTB GP 916115 CD S4 PE	2024300000	C.62	KTB MH 453815 S4E3	1195030000	C.14	KTB MH 987420 S4E4	1195640000	C.38	KTB MOPL 4848 MSZN H	2022610000	C.55
KTB GP 916120 AB S4 6MM	1256730000	C.37	KTB MH 453815 S4E3	1195030000	C.26	KTB MOPL 2215 MSZN	1193930000	C.17	KTB MOPL 4848 SZN	1193870000	B.39
KTB GP 916120 AB S4 6MM	1256730000	C.63	KTB MH 453815 S4E4	1195040000	C.14	KTB MOPL 2215 MSZN	1193930000	C.43	KTB MOPL 4848 SZN	1193870000	C.28
KTB GP 916120 AB S4 PE	2024470000	C.37	KTB MH 453815 S4E4	1195040000	C.26	KTB MOPL 2215 MSZN H	2022050000	C.17	KTB MOPL 4848 SZN	1193870000	C.29
KTB GP 916120 AB S4 PE	2024470000	C.63	KTB MH 453820 S4E1	1195060000	C.14	KTB MOPL 2215 MSZN H	2022050000	C.43	KTB MOPL 4848 SZN	1193870000	C.54
KTB GP 916120 CD S4 6MM	1256740000	C.37	KTB MH 453820 S4E1	1195060000	C.27	KTB MOPL 2215 SZN	1193810000	B.36	KTB MOPL 4848 SZN	1193870000	C.55
KTB GP 916120 CD S4 6MM	1256740000	C.63	KTB MH 453820 S4E2	1195070000	C.14	KTB MOPL 2215 SZN	1193810000	C.17	KTB MOPL 4848 SZN H	1257710000	C.28
KTB GP 916120 CD S4 PE	2024490000	C.37	KTB MH 453820 S4E2	1195070000	C.27	KTB MOPL 2215 SZN H	1257650000	C.17	KTB MOPL 4848 SZN H	1257710000	C.29
KTB GP 916120 CD S4 PE	2024490000	C.63	KTB MH 453820 S4E3	1195080000	C.14	KTB MOPL 2215 SZN H	1257650000	C.43	KTB MOPL 4848 SZN H	1257710000	C.54
KTB GP 987420 AB S4 6MM	1256750000	C.38	KTB MH 453820 S4E3	1195080000	C.27	KTB MOPL 2626 MSZN	1193950000	C.18	KTB MOPL 5535 MSZN	1194010000	C.30
KTB GP 987420 AB S4 6MM	1256750000	C.64	KTB MH 453820 S4E4	1195090000	C.14	KTB MOPL 2626 MSZN	1193950000	C.19	KTB MOPL 5535 MSZN	1194010000	C.31
KTB GP 987420 AB S4 PE	2024560000	C.38	KTB MH 453820 S4E4	1195090000	C.27	KTB MOPL 2626 MSZN	1193950000	C.44	KTB MOPL 5535 MSZN	1194010000	C.56
KTB GP 987420 AB S4 PE	2024560000	C.64	KTB MH 484815 S4E1	1195110000	C.14	KTB MOPL 2626 MSZN	1193950000	C.45	KTB MOPL 5535 MSZN	1194010000	C.57
KTB GP 987420 CD S4 6MM	1256760000	C.38	KTB MH 484815 S4E1	1195110000	C.28	KTB MOPL 2626 MSZN H	2022060000	C.18	KTB MOPL 5535 MSZN H	2022650000	C.30
KTB GP 987420 CD S4 6MM	1256760000	C.64	KTB MH 484815 S4E2	1195120000	C.14	KTB MOPL 2626 MSZN H	2022060000	C.19	KTB MOPL 5535 MSZN H	2022650000	C.31
KTB GP 987420 CD S4 PE	2024590000	C.38	KTB MH 484815 S4E2	1195120000	C.28	KTB MOPL 2626 MSZN H	2022060000	C.44	KTB MOPL 5535 MSZN H	2022650000	C.56
KTB GP 987420 CD S4 PE	2024590000	C.64	KTB MH 484815 S4E3	1195130000	C.14	KTB MOPL 2626 MSZN H	2022060000	C.45	KTB MOPL 5535 MSZN H	2022650000	C.57
KTB MH 221513 Exia	8000028398	B.34	KTB MH 484815 S4E3	1195130000	C.28	KTB MOPL 2626 SZN	1193820000	B.37	KTB MOPL 5535 SZN	1193880000	C.30
KTB MH 221513 Exia	8000028398	B.36	KTB MH 484815 S4E4	1195140000	C.14	KTB MOPL 2626 SZN	1193820000	C.18	KTB MOPL 5535 SZN	1193880000	C.31
KTB MH 221513 S4E1	1194560000	B.36	KTB MH 484820 S4E1	1195160000	C.14	KTB MOPL 2626 SZN	1193820000	C.19	KTB MOPL 5535 SZN	1193880000	C.56
KTB MH 221513 S4E1	1194560000	C.14	KTB MH 484820 S4E1	1195160000	C.29	KTB MOPL 2626 SZN	1193820000	C.44	KTB MOPL 5535 SZN	1193880000	C.57
KTB MH 221513 S4E1	1194560000	C.17	KTB MH 484820 S4E2	1195170000	C.14	KTB MOPL 2626 SZN H	1257660000	C.18	KTB MOPL 5535 SZN H	1257720000	C.30
KTB MH 221513 S4E2	1194570000	C.14	KTB MH 484820 S4E2	1195170000	C.29	KTB MOPL 2626 SZN H	1257660000	C.19	KTB MOPL 5535 SZN H	1257720000	C.56
KTB MH 221513 S4E2	1194570000	C.17	KTB MH 484820 S4E3	1195180000	C.14	KTB MOPL 2626 SZN H	1257660000	C.44	KTB MOPL 5535 SZN H	1257720000	C.57
KTB MH 221513 S4E3	1194580000	C.14	KTB MH 484820 S4E3	1195180000	C.29	KTB MOPL 2626 SZN H	1257660000	C.45	KTB MOPL 6245 MSZN	1194020000	C.32
KTB MH 221513 S4E3	1194580000	C.17	KTB MH 484820 S4E4	1195190000	C.14	KTB MOPL 2626 SZN H	1257660000	C.20	KTB MOPL 6245 MSZN	1194020000	C.33
KTB MH 221513 S4E4	1194590000	C.14	KTB MH 484820 S4E4	1195190000	C.29	KTB MOPL 3030 MSZN	1193960000	C.20	KTB MOPL 6245 MSZN	1194020000	C.58
KTB MH 221513 S4E4	1194590000	C.17	KTB MH 553515 S4E1	1195210000	C.14	KTB MOPL 3030 MSZN	1193960000	C.46	KTB MOPL 6245 MSZN	1194020000	C.59
KTB MH 262615 Exia	8000028399	B.34	KTB MH 553515 S4E1	1195210000	C.30	KTB MOPL 3030 MSZN	1193960000	C.47	KTB MOPL 6245 MSZN H	2022670000	C.32
KTB MH 262615 Exia	8000028399	B.37	KTB MH 553515 S4E2	1195220000	C.14	KTB MOPL 3030 MSZN H	2022190000	C.20	KTB MOPL 6245 MSZN H	2022670000	C.33
KTB MH 262615 S4E1	1194610000	B.37	KTB MH 553515 S4E2	1195220000	C.30	KTB MOPL 3030 MSZN H	2022190000	C.21	KTB MOPL 6245 MSZN H	2022670000	C.58
KTB MH 262615 S4E1	1194610000	C.18	KTB MH 553515 S4E3	1195230000	C.14	KTB MOPL 3030 MSZN H	2022190000	C.46	KTB MOPL 6245 MSZN H	2022670000	C.59
KTB MH 262615 S4E1	1194610000	C.14	KTB MH 553515 S4E3	1195230000	C.30	KTB MOPL 3030 MSZN H	2022190000	C.47	KTB MOPL 6245 SZN	1193890000	C.32
KTB MH 262615 S4E2	1194620000	C.18	KTB MH 553515 S4E4	1195240000	C.14	KTB MOPL 3030 SZN	1193830000	B.38	KTB MOPL 6245 SZN	1193890000	C.33
KTB MH 262615 S4E2	1194620000	C.14	KTB MH 553520 S4E1	1195260000	C.14	KTB MOPL 3030 SZN	1193830000	C.21	KTB MOPL 6245 SZN	1193890000	C.58
KTB MH 262615 S4E3	1194630000	C.14	KTB MH 553520 S4E1	1195260000	C.31	KTB MOPL 3030 SZN	1193830000	C.46	KTB MOPL 6245 SZN H	1257740000	C.32
KTB MH 262615 S4E3	1194630000	C.18	KTB MH 553520 S4E2	1195270000	C.14	KTB MOPL 3030 SZN	1193830000	C.47	KTB MOPL 6245 SZN H	1257740000	C.33
KTB MH 262620 S4E1	1194660000	C.18	KTB MH 553520 S4E2	1195270000	C.31	KTB MOPL 3030 SZN H	1257670000	C.20	KTB MOPL 6245 SZN H	1257740000	C.58
KTB MH 262620 S4E1	1194660000	C.19	KTB MH 553520 S4E3	1195280000	C.14	KTB MOPL 3030 SZN H	1257670000	C.21	KTB MOPL 6245 SZN H	1257740000	C.59
KTB MH 262620 S4E2	1194670000	C.19	KTB MH 553520 S4E4	1195290000	C.14	KTB MOPL 3030 SZN H	1257670000	C.46	KTB MOPL 7650 MSZN	1194030000	C.34
KTB MH 262620 S4E2	1194670000	C.14	KTB MH 553520 S4E4	1195290000	C.31	KTB MOPL 3030 SZN H	1257670000	C.47	KTB MOPL 7650 MSZN	1194030000	C.35
KTB MH 262620 S4E3	1194680000	C.14	KTB MH 553520 S4E4	1195290000	C.31	KTB MOPL 3526 MSZN	1193970000	C.22	KTB MOPL 7650 MSZN	1194030000	C.60
KTB MH 262620 S4E3	1194680000	C.19	KTB MH 624515 S4E1	1195310000	C.14	KTB MOPL 3526 MSZN	1193970000	C.23	KTB MOPL 7650 MSZN	1194030000	C.61
KTB MH 262620 S4E4	1194690000	C.14	KTB MH 624515 S4E1	1195310000	C.32	KTB MOPL 3526 MSZN	1193970000	C.48	KTB MOPL 7650 MSZN H	2022680000	C.34
KTB MH 262620 S4E4	1194690000	C.19	KTB MH 624515 S4E2	1195320000	C.14	KTB MOPL 3526 MSZN	1193970000	C.49	KTB MOPL 7650 MSZN H	2022680000	C.35
KTB MH 303015 S4E1	1194710000	C.14	KTB MH 624515 S4E2	1195320000	C.32	KTB MOPL 3526 MSZN H	2022310000	C.22	KTB MOPL 7650 MSZN H	2022680000	C.61
KTB MH 303015 S4E1	1194710000	C.14	KTB MH 624515 S4E3	1195330000	C.14	KTB MOPL 3526 MSZN H	2022310000	C.23	KTB MOPL 7650 MSZN H	2022680000	C.62
KTB MH 303015 S4E2	1194720000	C.20	KTB MH 624515 S4E3	1195330000	C.32	KTB MOPL 3526 MSZN H	2022310000	C.48	KTB MOPL 7650 SZN	1193900000	C.34
KTB MH 303015 S4E2	1194720000	C.14	KTB MH 624515 S4E4	1195340000	C.14	KTB MOPL 3526 MSZN H	2022310000	C.49	KTB MOPL 7650 SZN	1193900000	C.35
KTB MH 303015 S4E3	1194730000	C.20	KTB MH 624515 S4E4	1195340000	C.32	KTB MOPL 3526 MSZN H	2022310000	C.48	KTB MOPL 7650 SZN	1193900000	C.60
KTB MH 303015 S4E3	1194730000	C.14	KTB MH 624520 S4E1	1195360000	C.14	KTB MOPL 3526 SZN	1193840000	C.22	KTB MOPL 7650 SZN	1193900000	C.61
KTB MH 303015 S4E4	1194740000	C.20	KTB MH 624520 S4E1	1195360000	C.33	KTB MOPL 3526 SZN	1193840000	C.48	KTB MOPL 7650 SZN H	1257750000	C.34
KTB MH 303015 S4E4	1194740000	C.14	KTB MH 624520 S4E2	1195370000	C.14	KTB MOPL 3526 SZN	1193840000	C.49	KTB MOPL 7650 SZN H	1257750000	C.35
KTB MH 303020 S4E1	1194760000	C.14	KTB MH 6245								

Type	Order No.	Page
KTBL MOPL 9874 S2N H	1257770000	C.38
KTBL MOPL 9874 S2N H	1257770000	C.64
KTBL QL 221513 S4E1	1199860000	C.40
KTBL QL 221513 S4E1	1199860000	C.43
KTBL QL 221513 S4E2	1199870000	C.40
KTBL QL 221513 S4E2	1199870000	C.43
KTBL QL 221513 S4E3	1199880000	C.40
KTBL QL 221513 S4E3	1199880000	C.43
KTBL QL 221513 S4E4	1199890000	C.40
KTBL QL 221513 S4E4	1199890000	C.43
KTBL QL 262615 S4E1	1199910000	C.40
KTBL QL 262615 S4E1	1199910000	C.44
KTBL QL 262615 S4E2	1199920000	C.40
KTBL QL 262615 S4E2	1199920000	C.44
KTBL QL 262615 S4E3	1199930000	C.40
KTBL QL 262615 S4E3	1199930000	C.44
KTBL QL 262615 S4E4	1199940000	C.40
KTBL QL 262615 S4E4	1199940000	C.44
KTBL QL 262620 S4E1	1199960000	C.40
KTBL QL 262620 S4E1	1199960000	C.45
KTBL QL 262620 S4E2	1199970000	C.40
KTBL QL 262620 S4E2	1199970000	C.45
KTBL QL 262620 S4E3	1199980000	C.40
KTBL QL 262620 S4E3	1199980000	C.45
KTBL QL 262620 S4E4	1199990000	C.40
KTBL QL 262620 S4E4	1199990000	C.45
KTBL QL 303015 S4E1	1200020000	C.40
KTBL QL 303015 S4E1	1200020000	C.46
KTBL QL 303015 S4E2	1200030000	C.40
KTBL QL 303015 S4E2	1200030000	C.46
KTBL QL 303015 S4E3	1200040000	C.40
KTBL QL 303015 S4E3	1200040000	C.46
KTBL QL 303015 S4E4	1200050000	C.40
KTBL QL 303015 S4E4	1200050000	C.46
KTBL QL 303015 S4E4	1200050000	C.43
KTBL QL 303020 Exe	8000028400	B.36
KTBL QL 303020 Exe	8000028400	B.38
KTBL QL 303020 S4E1	1200070000	B.38
KTBL QL 303020 S4E1	1200070000	C.40
KTBL QL 303020 S4E1	1200070000	C.47
KTBL QL 303020 S4E2	1200080000	C.40
KTBL QL 303020 S4E2	1200080000	C.47
KTBL QL 303020 S4E3	1200090000	C.40
KTBL QL 303020 S4E3	1200090000	C.47
KTBL QL 303020 S4E4	1200100000	C.40
KTBL QL 303020 S4E4	1200100000	C.47
KTBL QL 352615 S4E1	1200120000	C.40
KTBL QL 352615 S4E1	1200120000	C.48
KTBL QL 352615 S4E2	1200130000	C.40
KTBL QL 352615 S4E2	1200130000	C.48
KTBL QL 352615 S4E3	1200140000	C.40
KTBL QL 352615 S4E3	1200140000	C.48
KTBL QL 352615 S4E4	1200150000	C.40
KTBL QL 352615 S4E4	1200150000	C.48
KTBL QL 352620 S4E1	1200170000	C.40
KTBL QL 352620 S4E1	1200170000	C.49
KTBL QL 352620 S4E2	1200180000	C.40
KTBL QL 352620 S4E2	1200180000	C.49
KTBL QL 352620 S4E3	1200190000	C.40
KTBL QL 352620 S4E3	1200190000	C.49
KTBL QL 352620 S4E4	1200200000	C.40
KTBL QL 352620 S4E4	1200200000	C.49
KTBL QL 352620 S4E4	1200210000	C.40
KTBL QL 352620 S4E4	1200210000	C.49
KTBL QL 403015 S4E1	1200230000	C.40
KTBL QL 403015 S4E1	1200230000	C.50
KTBL QL 403015 S4E2	1200240000	C.40
KTBL QL 403015 S4E2	1200240000	C.50
KTBL QL 403015 S4E3	1200250000	C.40
KTBL QL 403015 S4E3	1200250000	C.50
KTBL QL 403015 S4E4	1200260000	C.40
KTBL QL 403015 S4E4	1200260000	C.50
KTBL QL 403020 S4E1	1200280000	C.40
KTBL QL 403020 S4E1	1200280000	C.51
KTBL QL 403020 S4E2	1200290000	C.40
KTBL QL 403020 S4E2	1200290000	C.51
KTBL QL 403020 S4E3	1200300000	C.40
KTBL QL 403020 S4E3	1200300000	C.51
KTBL QL 403020 S4E4	1200320000	C.40
KTBL QL 403020 S4E4	1200320000	C.51
KTBL QL 453815 S4E1	1200340000	C.40
KTBL QL 453815 S4E1	1200340000	C.52
KTBL QL 453815 S4E2	1200350000	C.40
KTBL QL 453815 S4E2	1200350000	C.52
KTBL QL 453815 S4E3	1200360000	C.40
KTBL QL 453815 S4E3	1200360000	C.52
KTBL QL 453815 S4E4	1200370000	C.40
KTBL QL 453815 S4E4	1200370000	C.52
KTBL QL 453815 S4E4	1200370000	C.50
KTBL QL 453820 S4E1	1200390000	C.40
KTBL QL 453820 S4E1	1200390000	C.53
KTBL QL 453820 S4E2	1200410000	C.40
KTBL QL 453820 S4E2	1200410000	C.53
KTBL QL 453820 S4E3	1200420000	C.40
KTBL QL 453820 S4E3	1200420000	C.53
KTBL QL 453820 S4E4	1200430000	C.40
KTBL QL 453820 S4E4	1200430000	C.53
KTBL QL 484815 S4E1	1200450000	C.40
KTBL QL 484815 S4E1	1200450000	C.54
KTBL QL 484815 S4E2	1200460000	C.40
KTBL QL 484815 S4E2	1200460000	C.54
KTBL QL 484815 S4E3	1200470000	C.40
KTBL QL 484815 S4E3	1200470000	C.54
KTBL QL 484815 S4E4	1200480000	C.40
KTBL QL 484815 S4E4	1200480000	C.54

Type	Order No.	Page
KTBL QL 484815 S4E4	1200480000	C.40
KTBL QL 484815 S4E4	1200480000	C.54
KTBL QL 484820 Exe	8000028401	B.34
KTBL QL 484820 Exe	8000028401	B.39
KTBL QL 484820 S4E1	1200510000	B.39
KTBL QL 484820 S4E1	1200510000	C.40
KTBL QL 484820 S4E1	1200510000	C.40
KTBL QL 484820 S4E1	1200510000	C.55
KTBL QL 484820 S4E2	1200520000	C.40
KTBL QL 484820 S4E2	1200520000	C.55
KTBL QL 484820 S4E3	1200530000	C.40
KTBL QL 484820 S4E3	1200530000	C.55
KTBL QL 484820 S4E4	1200540000	C.40
KTBL QL 484820 S4E4	1200540000	C.55
KTBL QL 553515 S4E1	1200560000	C.40
KTBL QL 553515 S4E1	1200560000	C.56
KTBL QL 553515 S4E2	1200570000	C.40
KTBL QL 553515 S4E2	1200570000	C.56
KTBL QL 553515 S4E3	1200580000	C.40
KTBL QL 553515 S4E3	1200580000	C.56
KTBL QL 553515 S4E4	1200590000	C.40
KTBL QL 553515 S4E4	1200590000	C.56
KTBL QL 553520 S4E1	1200620000	C.40
KTBL QL 553520 S4E1	1200620000	C.57
KTBL QL 553520 S4E2	1200630000	C.40
KTBL QL 553520 S4E2	1200630000	C.57
KTBL QL 553520 S4E3	1200640000	C.40
KTBL QL 553520 S4E3	1200640000	C.57
KTBL QL 553520 S4E4	1200650000	C.40
KTBL QL 553520 S4E4	1200650000	C.57
KTBL QL 624515 S4E1	1200670000	C.40
KTBL QL 624515 S4E1	1200670000	C.58
KTBL QL 624515 S4E2	1200680000	C.40
KTBL QL 624515 S4E2	1200680000	C.58
KTBL QL 624515 S4E3	1200690000	C.40
KTBL QL 624515 S4E3	1200690000	C.58
KTBL QL 624515 S4E4	1200710000	C.40
KTBL QL 624515 S4E4	1200710000	C.58
KTBL QL 624520 S4E1	1200730000	C.40
KTBL QL 624520 S4E1	1200730000	C.59
KTBL QL 624520 S4E2	1200740000	C.40
KTBL QL 624520 S4E2	1200740000	C.59
KTBL QL 624520 S4E3	1200750000	C.40
KTBL QL 624520 S4E3	1200750000	C.59
KTBL QL 624520 S4E4	1200760000	C.40
KTBL QL 624520 S4E4	1200760000	C.59
KTBL QL 765015 S4E1	1200780000	C.40
KTBL QL 765015 S4E1	1200780000	C.60
KTBL QL 765015 S4E2	1200790000	C.40
KTBL QL 765015 S4E2	1200790000	C.60
KTBL QL 765015 S4E3	1200810000	C.40
KTBL QL 765015 S4E3	1200810000	C.60
KTBL QL 765015 S4E4	1200820000	C.40
KTBL QL 765015 S4E4	1200820000	C.60
KTBL QL 765020 S4E1	1200840000	C.40
KTBL QL 765020 S4E1	1200840000	C.61
KTBL QL 765020 S4E2	1200850000	C.40
KTBL QL 765020 S4E2	1200850000	C.61
KTBL QL 765020 S4E3	1200860000	C.40
KTBL QL 765020 S4E3	1200860000	C.61
KTBL QL 765020 S4E4	1200870000	C.40
KTBL QL 765020 S4E4	1200870000	C.61
KTBL QL 916115 S4E1	1200890000	C.40
KTBL QL 916115 S4E1	1200890000	C.62
KTBL QL 916115 S4E2	1200910000	C.40
KTBL QL 916115 S4E2	1200910000	C.62
KTBL QL 916115 S4E3	1200920000	C.40
KTBL QL 916115 S4E3	1200920000	C.62
KTBL QL 916115 S4E4	1200930000	C.40
KTBL QL 916115 S4E4	1200930000	C.62
KTBL QL 916120 S4E1	1200950000	C.40
KTBL QL 916120 S4E1	1200950000	C.63
KTBL QL 916120 S4E2	1200960000	C.40
KTBL QL 916120 S4E2	1200960000	C.63
KTBL QL 916120 S4E3	1200970000	C.40
KTBL QL 916120 S4E3	1200970000	C.63
KTBL QL 916120 S4E4	1200980000	C.40
KTBL QL 916120 S4E4	1200980000	C.63
KTBL QL 987420 S4E1	1201010000	C.40
KTBL QL 987420 S4E1	1201010000	C.64
KTBL QL 987420 S4E2	1201020000	C.40
KTBL QL 987420 S4E2	1201020000	C.64
KTBL QL 987420 S4E3	1201030000	C.40
KTBL QL 987420 S4E3	1201030000	C.64
KTBL QL 987420 S4E4	1201040000	C.40
KTBL QL 987420 S4E4	1201040000	C.64
KTBL QLL S2 DB3	1191590000	C.71
KTBL QLL S2 DB3	1191590000	C.81
KTBL QLL S2 SLS	1191600000	C.71
KTBL QLL S2 SLS	1191600000	C.81
KTBL RNHD 221513 R	1281360000	B.36
KTBL RNHD 221513 R	1281360000	C.17
KTBL RNHD 221513 S4E R	1314090000	C.17
KTBL RNHD 221513 S4E R	1314090000	C.43
KTBL RNHD 262615 R	1281370000	C.18
KTBL RNHD 262615 R	1281370000	C.44
KTBL RNHD 262615 S4E R	1314100000	C.18
KTBL RNHD 262615 S4E R	1314100000	C.44
KTBL RNHD 262620 R	1281380000	C.19

Type	Order No.	Page
KTBL RNHD 262620 R	1281380000	C.45
KTBL RNHD 262620 S4E R	1314110000	C.19
KTBL RNHD 262620 S4E R	1314110000	C.45
KTBL RNHD 303015 R	1281390000	C.20
KTBL RNHD 303015 R	1281390000	C.46
KTBL RNHD 303015 S4E R	1314120000	C.20
KTBL RNHD 303015 S4E R	1314120000	C.46
KTBL RNHD 303020 R	1281400000	C.21
KTBL RNHD 303020 R	1281400000	C.47
KTBL RNHD 303020 S4E R	1314130000	C.21
KTBL RNHD 303020 S4E R	1314130000	C.47
KTBL RNHD 352615 R	1281410000	C.22
KTBL RNHD 352615 R	1281410000	C.48
KTBL RNHD 352615 S4E R	1314140000	C.22
KTBL RNHD 352615 S4E R	1314140000	C.48
KTBL RNHD 352620 R	1281420000	C.23
KTBL RNHD 352620 R	1281420000	C.49
KTBL RNHD 352620 S4E R	1314150000	C.23
KTBL RNHD 352620 S4E R	1314150000	C.49
KTBL RNHD 403015 R	1281430000	C.24
KTBL RNHD 403015 R	1281430000	C.50
KTBL RNHD 403015 S4E R	1314170000	C.24
KTBL RNHD 403015 S4E R	1314170000	C.50
KTBL RNHD 403020 R	1281440000	C.25
KTBL RNHD 403020 R	1281440000	C.51
KTBL RNHD 403020 S4E R	1314180000	C.25
KTBL RNHD 403020 S4E R	1314180000	C.51
KTBL RNHD 453815 R	1281450000	C.26
KTBL RNHD 453815 R	1281450000	C.52
KTBL RNHD 453815 S4E R	1314190000	C.26
KTBL RNHD 453815 S4E R	1314190000	C.52
KTBL RNHD 453820 R	1281460000	C.27
KTBL RNHD 453820 R	1281460000	C.53
KTBL RNHD 453820 S4E R	1314200000	C.27
KTBL RNHD 453820 S4E R	1314200000	C.53
KTBL RNHD 484815 R	1281470000	C.28
KTBL RNHD 484815 R	1281470000	C.54
KTBL RNHD 484815 S4E R	1314220000	C.28
KTBL RNHD 484815 S4E R	1314220000	C.54
KTBL RNHD 484820 R	1281480000	C.29
KTBL RNHD 484820 R	1281480000	C.55
KTBL RNHD 484820 S4E R	1314230000	C.29
KTBL RNHD 484820 S4E R	1314230000	C.55
KTBL RNHD 553515 R	1281490000	C.30
KTBL RNHD 553515 R	1281490000	C.56
KTBL RNHD 553515 S4E R	1314240000	C.30
KTBL RNHD 553515 S4E R	1314240000	C.56
KTBL RNHD 553520 R	1281500000	C.31
KTBL RNHD 553520 R	1281500000	C.57
KTBL RNHD 553520 S4E R	1314250000	C.31
KTBL RNHD 553520 S4E R	1314250000	C.57
KTBL RNHD 624515 R	1281510000	C.32
KTBL RNHD 624515 R	1281510000	C.58
KTBL RNHD 624515 S4E R	1314270000	C.32
KTBL RNHD 624515 S4E R	1314270000	C.58
KTBL RNHD 624520 R	1281520000	C.33</

Type	Order No.	Page
KTBI QL 505022 S2E0	1197570000	C.78
KTBI QL 505022 S2E1	1197580000	C.68
KTBI QL 505022 S2E1	1197580000	C.78
KTBI QL 604022 S2E0	1197590000	C.68
KTBI QL 604022 S2E0	1197590000	C.79
KTBI QL 604022 S2E1	1197600000	C.68
KTBI QL 604022 S2E1	1197600000	C.79
KTBI QL 606022 S2E0	1197610000	C.68
KTBI QL 606022 S2E0	1197610000	C.80
KTBI QL 606022 S2E1	1197620000	C.68
KTBI QL 606022 S2E1	1197620000	C.80
KTBI QL 806022 S2E0	1197630000	C.68
KTBI QL 806022 S2E0	1197630000	C.81
KTBI QL 806022 S2E1	1197640000	C.68
KTBI QL 806022 S2E1	1197640000	C.81
KUB M20 BS 0 NI 1 G16	1095100000	D.45
KUB M20 BS 0 NI 1 G20	1095140000	D.45
KUB M20 BS 0 NI 1 G20S	1095120000	D.45
KUB M20 BS 0 NI 2 G16	1095110000	D.45
KUB M20 BS 0 NI 2 G20	1095150000	D.45
KUB M20 BS 0 NI 2 G20S	1095130000	D.45
KUB M20 BS 0 SC 1 G16	1095340000	D.44
KUB M20 BS 0 SC 1 G20	1095380000	D.44
KUB M20 BS 0 SC 1 G20S	1095360000	D.44
KUB M20 BS 0 SC 2 G16	1095350000	D.44
KUB M20 BS 0 SC 2 G20	1095390000	D.44
KUB M20 BS 0 SC 2 G20S	1095370000	D.44
KUB M25 BS 0 NI 1 G25	1095160000	D.45
KUB M25 BS 0 NI 2 G25	1095170000	D.45
KUB M25 BS 0 SC 1 G25	1095400000	D.44
KUB M25 BS 0 SC 2 G25	1095410000	D.44
KUB M32 BS 0 NI 1 G32	1095180000	D.45
KUB M32 BS 0 NI 2 G32	1095190000	D.45
KUB M32 BS 0 SC 1 G32	1095420000	D.44
KUB M32 BS 0 SC 2 G32	1095430000	D.44
KUB M40 BS 0 NI 1 G40	1095200000	D.45
KUB M40 BS 0 NI 2 G40	1095210000	D.45
KUB M40 BS 0 SC 1 G40	1095440000	D.44
KUB M40 BS 0 SC 2 G40	1095450000	D.44
KUB M50 BN 0 NI 2 G50	1095250000	D.45
KUB M50 BS 0 NI 1 G50	1095240000	D.45
KUB M50 BS 0 NI 1 G50S	1095220000	D.45
KUB M50 BS 0 NI 2 G50S	1095230000	D.45
KUB M50 BS 0 SC 1 G50	1095480000	D.44
KUB M50 BS 0 SC 1 G50S	1095460000	D.44
KUB M50 BS 0 SC 2 G50	1095490000	D.44
KUB M50 BS 0 SC 2 G50S	1095470000	D.44
KUB M63 BS 0 NI 1 G63	1095280000	D.45
KUB M63 BS 0 NI 1 G63S	1095260000	D.45
KUB M63 BS 0 NI 2 G63	1095290000	D.45
KUB M63 BS 0 NI 2 G63S	1095270000	D.45
KUB M63 BS 0 SC 1 G63	1095520000	D.44
KUB M63 BS 0 SC 1 G63S	1095500000	D.44
KUB M63 BS 0 SC 2 G63	1095530000	D.44
KUB M63 BS 0 SC 2 G63S	1095510000	D.44
KUB M75 BS 0 NI 1 G75	1095320000	D.45
KUB M75 BS 0 NI 1 G75S	1095300000	D.45
KUB M75 BS 0 NI 2 G75	1095330000	D.45
KUB M75 BS 0 NI 2 G75S	1095310000	D.45
KUB M75 BS 0 SC 1 G75	1095560000	D.44
KUB M75 BS 0 SC 1 G75S	1095540000	D.44
KUB M75 BS 0 SC 2 G75	1095570000	D.44
KUB M75 BS 0 SC 2 G75S	1095550000	D.44
KV 11-M	1656390000	D.12
KV 13-M	1656400000	D.12
KV 16-M	1656410000	D.12
KV 21-M	1656420000	D.12
KV 29-M	1656430000	D.12

M

MF FPC	9536040000	C.169
MF FPC	9536040000	C.169
MF FPC	9536040000	C.170
MF FPC	9536040000	C.170
MF FPC	9536040000	C.171
MF FPC	9536040000	C.171
MF FPC	9536040000	C.162
MF MPC	9535600000	C.162
MF MPC	9535600000	C.162
MF MPC	9535600000	C.163
MF MPC	9535600000	C.163
MF MPC	9535600000	C.164
MF MPC	9535600000	C.164
MF MPC	9535600000	C.165
MF MPC	9535600000	C.165
MF MPC	9535600000	C.166
MF MPC	9535600000	C.166
MF POK big	9510910000	C.139
MF POK big	9510910000	C.150
MF POK small	9510900000	C.134
MF POK small	9510900000	C.135
MF POK small	9510900000	C.136
MF POK small	9510900000	C.137
MF POK small	9510900000	C.138
MF TBF	0360800000	C.154
MF TBF	0360800000	C.154
MF TBF	0360800000	C.155
MF TBF	0360800000	C.155
MF TBF	0360800000	C.156
MF TBF	0360800000	C.156

Type	Order No.	Page
MF TBF	0360800000	C.157
MF TBF	0360800000	C.158
MF TBF	0360800000	C.158
MOP L K1 N FE	1905280000	C.113
MOP L K11 STAHL	3073000000	C.114
MOP L K2 N FE	1905270000	C.115
MOP L K21 STAHL	3073020000	C.116
MOP L K3 BKVARIO SET	8000004497	B.44
MOP L K3 BKVARIO SET	8000004497	B.50
MOP L K3 N FE	1898210000	C.117
MOP L K31 STAHL	3073040000	C.118
MOP L K32 STAHL	3073050000	C.119
MOP L K4 STAHL	3073060000	C.120
MOP L K41 STAHL	3073070000	C.121
MOP L K5 STAHL	3073080000	C.122
MOP L K51 STAHL	3073090000	C.123
MOP L K52 STAHL	3073100000	C.124
MOP L K6 STAHL	3073110000	C.125
MOP L K61 STAHL	3073120000	C.126
MOP L K7 STAHL	3073130000	C.127
MOP L K71 STAHL	3073140000	C.128
MOP L SET BK12 S	8000004135	B.50
MOP L SET BK4 S	8000004129	B.46
MOP L SET BK6 S	8000004132	B.48
MP FPC 20/20	9535920000	C.169
MP FPC 20/30	9535930000	C.169
MP FPC 20/40	9535940000	C.170
MP FPC 30/30	9535950000	C.170
MP FPC 30/40	9535960000	C.171
MP FPC 40/60	9535980000	C.171
MP MPC 07/12	9535540000	C.162
MP MPC 07/12	9535540000	C.162
MP MPC 12/12	9535600000	C.163
MP MPC 12/17	9535660000	C.163
MP MPC 12/17	9535660000	C.164
MP MPC 12/17	9535660000	C.164
MP MPC 17/17	9535570000	C.165
MP MPC 17/17	9535570000	C.166
MP MPC 17/25	9535580000	C.166
MP TBF 19/15	9502720000	C.154
MP TBF 30/19	3018950000	C.154
MP TBF 30/30	9502730000	C.155
MP TBF 37/30	9502740000	C.155
MP TBF 49/30	9500980000	C.156
MP TBF 56/30	9500950000	C.156
MP TBF 60/30	9502750000	C.157
MP TBF 60/37	9502910000	C.158
MP TBF 60/60	9502920000	C.158
MPC 07/12/07 7035	9535170000	C.160
MPC 07/12/07 7035	9535170000	C.162
MPC 07/12/07 trsp	9535180000	C.160
MPC 07/12/07 trsp	9535180000	C.162
MPC 07/12/10 7035	9535190000	C.160
MPC 07/12/10 trsp	9535200000	C.160
MPC 07/12/12 7035	9535210000	C.160
MPC 07/12/12 trsp	9535220000	C.162
MPC 07/12/12 trsp	9535220000	C.162
MPC 12/12/07 7035	9535230000	C.160
MPC 12/12/07 7035	9535230000	C.163
MPC 12/12/07 trsp	9535240000	C.160
MPC 12/12/07 trsp	9535240000	C.163
MPC 12/12/10 7035	9535250000	C.160
MPC 12/12/10 trsp	9535260000	C.160
MPC 12/12/12 7035	9535270000	C.160
MPC 12/12/12 trsp	9535280000	C.160
MPC 12/17/07 7035	9535290000	C.160
MPC 12/17/07 7035	9535290000	C.163
MPC 12/17/07 trsp	9535300000	C.160
MPC 12/17/07 trsp	9535300000	C.163
MPC 12/17/10 7035	9535310000	C.160
MPC 12/17/10 7035	9535310000	C.164
MPC 12/17/10 trsp	9535320000	C.160
MPC 12/17/10 trsp	9535320000	C.164
MPC 12/17/12 7035	9535330000	C.160
MPC 12/17/12 7035	9535330000	C.164
MPC 12/17/12 trsp	9535340000	C.160
MPC 12/17/12 trsp	9535340000	C.164
MPC 12/17/15 7035	9535350000	C.160
MPC 12/17/15 trsp	9535360000	C.160
MPC 17/17/07 7035	9535370000	C.160
MPC 17/17/07 trsp	9535370000	C.165
MPC 17/17/07 trsp	9535380000	C.160
MPC 17/17/07 trsp	9535380000	C.165
MPC 17/17/10 7035	9535390000	C.160
MPC 17/17/10 trsp	9535400000	C.160
MPC 17/17/12 7035	9535410000	C.160
MPC 17/17/15 7035	9535430000	C.160
MPC 17/17/15 trsp	9535430000	C.166
MPC 17/17/15 trsp	9535440000	C.166
MPC 17/25/07 7035	9535450000	C.160
MPC 17/25/10 7035	9535470000	C.160
MPC 17/25/10 7035	9535470000	C.166
MPC 17/25/10 trsp	9535480000	C.160
MPC 17/25/10 trsp	9535480000	C.166
MPC 17/25/15 7035	9535490000	C.160
MPC 17/25/15 trsp	9535500000	C.160

Type	Order No.	Page
PEBZ M10 BR SET	1277220000	C.120
PEBZ M10 BR SET	1277220000	C.171
PEBZ M10 KTB S4 SET	1192690000	B.36
PEBZ M10 KTB S4 SET	1192690000	C.64
PEBZ M10 S4 SET	1283440000	C.120
PEBZ M10 S4 SET	1283440000	C.171
PEBZ M6 BR SET	1277250000	C.113
PEBZ M6 BR SET	1277250000	C.171
PEBZ M6 S4 SET	1283430000	C.113
PEBZ M6 S4 SET	1283430000	C.171
PECD WIRE 6/200/D6 SET	2475490000	B.36
PECD WIRE 6/200/D6 SET	2475490000	B.37
PECD WIRE 6/200/D6 SET	2475490000	B.38
PECD WIRE 6/200/D6 SET	2475490000	B.39
PECD WIRE 6/200/D6 SET	2475490000	B.40
PECD WIRE 6/200/D6 SET	2475490000	B.41
PECD WIRE 6/200/D6 SET	2475490000	B.42
PECD WIRE 6/200/D6 SET	2475490000	B.43
POK MOPL 0808	9510570000	C.134
POK MOPL 0808 MINI	1534280000	C.134
POK MOPL 0811	9510580000	C.135
POK MOPL 0811 MINI	1534290000	C.135
POK MOPL 0816	9510680000	C.136
POK MOPL 0816 MINI	1534310000	C.136
POK MOPL 0819	9510690000	C.137
POK MOPL 0819 MINI	1534320000	C.137
POK MOPL 0823 MINI	1534330000	C.138
POK MOPL 1212	9510590000	C.139
POK MOPL 1212 MINI	1534340000	C.139
POK MOPL 1222	9510600000	C.140
POK MOPL 1222 MINI	1534350000	C.140
POK MOPL 1616	9510610000	C.141
POK MOPL 1616 MINI	1534360000	C.141
POK MOPL 1626	9510620000	C.142
POK MOPL 1626 MINI	1534370000	C.142
POK MOPL 1636	9510630000	C.143
POK MOPL 1636 MINI	1534380000	C.143
POK MOPL 1656	9510710000	C.144
POK MOPL 1656 MINI	1534390000	C.144
POK MOPL 2525	9510640000	C.145
POK MOPL 2525	9510640000	C.146
POK MOPL 2525 MINI	1534410000	C.145
POK MOPL 2525 MINI	1534410000	C.146
POK MOPL 2540	9510650000	C.147
POK MOPL 2540	9510650000	C.148
POK MOPL 2540 MINI	1534420000	C.147
POK MOPL 2540 MINI	1534420000	C.148
POK MOPL 2560	9510660000	C.149
POK MOPL 2560 MINI	1534430000	C.149
POK MOPL 4040	9510670000	C.150
POK MOPL 4040 MINI	1534440000	C.150

S

SD FIXING SET	1285200000	C.17
SD FIXING SET	1285200000	C.64
SD Set S2.0.5.5	9205560000	F.20
SD Set S2.5.5.5/PH1/2	9009740000	F.20
SD TH10	9009180000	F.19
SD TH15	9009170000	F.19
SD TH20	9009160000	C.110
SD TH20	9009160000	F.19
SD TO 0.6X3.0	1323880000	F.20
SDI Set S2.0.5.5	9205550000	F.18
SDI Set S2.5.5.5/PH1/2	9009730000	F.18
SDI Set S2.5.5.5/P21/2	1128540000	F.18
SDI SL S3.5.6.5/PH1/2	1274750000	F.11
SDI SL/PH 1	1318330000	F.17
SDI SL/PH 2	1318340000	F.17
SDIK PHO	9008560000	F.17
SDIK PH1	9008570000	F.17
SDIK PH1 SL	1274710000	F.11
SDIK PH2	9008580000	F.17
SDIK PH2 SL	1274720000	F.11
SDIK PH3	9008590000	F.17
SDIK PZ1	9008900000	F.17
SDIK PZ1 SL	1274730000	F.11
SDIK PZ2	9008900000	F.17
SDIK PZ2 SL	1274740000	F.11
SDIS 0.4X2.0X60	9205690000	F.17
SDIS 0.4X2.5X75	9008370000	F.17
SDIS 0.5X3.0X100	9008380000	F.17
SDIS 0.6X3.5X100	9008390000	F.17
SDIS 0.8X4.0X100	9008400000	F.17

Type	Order No.	Page
SKMU M63 K SW	1736980000	D.53
SKMU M63 MS	1737050000	D.54
SKMU M63 MS SC	0930640007	D.55
SKMU M75 MS	1737060000	D.54
SKMU M75 MS SC	0930640008	D.55
SKMU PG 13,5-K GR	1697470000	D.52
SKMU PG11-K GR	1697460000	D.52
SKMU PG11-K SW	1719120000	D.53
SKMU PG11-MS	1694090000	D.54
SKMU PG13,5-K SW	1719130000	D.53
SKMU PG13,5-MS	1694100000	D.54
SKMU PG16-K GR	1697480000	D.52
SKMU PG16-K SW	1719140000	D.53
SKMU PG16-MS	1694110000	D.54
SKMU PG21-K GR	1698220000	D.52
SKMU PG21-K SW	1719150000	D.53
SKMU PG21-MS	1719200000	D.54
SKMU PG29-K GR	1698230000	D.52
SKMU PG29-K SW	1719160000	D.53
SKMU PG29-MS	1719210000	D.54
SKMU PG36-K GR	1698240000	D.52
SKMU PG36-K SW	1719170000	D.53
SKMU PG36-MS	1719220000	D.54
SKMU PG42-K GR	1698250000	D.52
SKMU PG42-K SW	1719180000	D.53
SKMU PG42-MS	1719230000	D.54
SKMU PG48-K GR	1719090000	D.52
SKMU PG48-K SW	1719190000	D.53
SKMU PG48-MS	1719240000	D.54
SKMU PG7-K GR	1697440000	D.52
SKMU PG7-K SW	1719100000	D.53
SKMU PG7-MS	1694070000	D.54
SKMU PG9-K GR	1697450000	D.52
SKMU PG9-K SW	1719110000	D.53
SKMU PG9-MS	1694080000	D.54
SKS 2,0-8,0	9008860000	F.21
SKS 2,0-8,0 MR	9008870000	F.21
SP M6 10 S2	0935110000	C.17
SP M6 10 S2	0935110000	C.95
SP M6 15 MSZN	3896100000	C.71
SP M6 15 S2	0935120000	C.17
SP M6 15 S2	0935120000	C.95
SP M6 20 MSZN	3896200000	C.95
SP M6 20 S2	0935130000	C.17
SP M6 20 S2	0935130000	C.95
SP M6 30 MSZN	3896300000	C.71
SP M6 30 MSZN	3896300000	C.95
SP M6 30 S2	0935140000	C.17
SP M6 30 S2	0935140000	C.95
STB 1 Exia	8000028394	B.34
STB 1 Exia	8000028394	B.40
STB 2 Exe	8000028395	B.34
STB 2 Exe	8000028395	B.41
STB 3 Exe	8000028396	B.34
STB 3 Exe	8000028396	B.42
STB 4 Exe	8000028397	B.34
STB 4 Exe	8000028397	B.43
SYSTEM 11+1	9009750000	F.22
SZS M16	1736300000	D.65
SZS M20	1736310000	D.65
SZS M25	1736320000	D.65
SZS M32	1736330000	D.65
SZS M40	1736340000	D.65
SZS M50	1736350000	D.65
SZS M63	1736360000	D.65

T

TBF 19/15/14 7035	0360100000	C.152
TBF 19/15/14 7035	0360100000	C.154
TBF 19/15/14 trsp	0500500000	C.152
TBF 19/15/14 trsp	0500500000	C.154
TBF 30/19/18 7035	0360200000	C.152
TBF 30/19/18 7035	0360200000	C.154
TBF 30/19/18 trsp	0500600000	C.152
TBF 30/19/18 trsp	0500600000	C.154
TBF 30/30/18 7035	0360300000	C.152
TBF 30/30/18 7035	0360300000	C.155
TBF 30/30/18 trsp	0500700000	C.152
TBF 30/30/18 trsp	0500700000	C.155
TBF 37/30/18 7035	0360400000	C.152
TBF 37/30/18 7035	0360400000	C.155
TBF 37/30/18 trsp	0500800000	C.152
TBF 37/30/18 trsp	0500800000	C.155
TBF 49/30/18 7035	9502800000	C.152
TBF 49/30/18 7035	9502800000	C.156
TBF 49/30/21 trsp	9502840000	C.152
TBF 49/30/21 trsp	9502840000	C.156
TBF 56/30/18 7035	9502810000	C.152
TBF 56/30/18 7035	9502810000	C.156
TBF 56/30/21 trsp	9502850000	C.152
TBF 56/30/21 trsp	9502850000	C.156
TBF 60/30/18 7035	0360500000	C.152
TBF 60/30/18 7035	0360500000	C.157
TBF 60/30/21 trsp	0500900000	C.152
TBF 60/30/21 trsp	0500900000	C.157
TBF 60/37/18 7035	9502820000	C.152
TBF 60/37/18 7035	9502820000	C.158
TBF 60/37/21 trsp	9502860000	C.152

Type	Order No.	Page
TBF 60/37/21 trsp	9502860000	C.158
TBF 60/60/18 7035	9502830000	C.152
TBF 60/60/18 7035	9502830000	C.158
TBF 60/60/21 trsp	9502870000	C.152
TBF 60/60/21 trsp	9502870000	C.158
THS 9-40	9008880000	F.21
TPSD FIXING SET KTB	1252190000	C.17
TPSD FIXING SET KTB	1252190000	C.64
TPSDHA KTB 100X25 S2 2R	1257640000	B.37
TPSDHA KTB 100X25 S2 2R	1257640000	C.64
TPSDHA KTB 130X50 S2 R	1283450000	B.37
TPSDHA KTB 130X50 S2 R	1283450000	C.64
TPSDHA KTB 70X70M3 S2 R	1279320000	B.36
TPSDHA KTB 70X70M3 S2 R	1279320000	C.64
TS15 114 Klippon K21 CSS	1910020000	B.44
TS15 114 Klippon K21 CSS	1910020000	B.49
TS15 114 Klippon K21 CSS	1910020000	C.116
TS15 147 Klippon POK3 CSS	1928080000	B.60
TS15 147 Klippon POK3 CSS	1928080000	B.56
TS15 155 Klippon K3 CSS	1910030000	B.44
TS15 155 Klippon K3 CSS	1910030000	B.50
TS15 155 Klippon K3 CSS	1910030000	C.117
TS15 164 Klippon K31 CSS	1910040000	B.44
TS15 164 Klippon K31 CSS	1910040000	B.51
TS15 164 Klippon K31 CSS	1910040000	C.118
TS15 60 Klippon K1 CSS	1909980000	B.44
TS15 60 Klippon K1 CSS	1909980000	B.46
TS15 60 Klippon K1 CSS	1909980000	C.113
TS15 64 Klippon K11	1909990000	B.44
TS15 64 Klippon K11	1909990000	B.47
TS15 64 Klippon K11	1909990000	C.114
TS15 68 Klippon POK1 CSS	1928060000	B.58
TS15 68 Klippon POK1 CSS	1928060000	B.56
TS15 90 Klippon K2 CSS	1910010000	B.44
TS15 90 Klippon K2 CSS	1910010000	B.48
TS15 90 Klippon K2 CSS	1910010000	C.115
TS15 98 Klippon POK2 CSS	1928070000	B.59
TS15 98 Klippon POK2 CSS	1928070000	B.56
TS35 105 Klippon K41/POK4	1910070000	B.44
TS35 105 Klippon K41/POK4	1910070000	B.53
TS35 105 Klippon K41/POK4	1910070000	B.61
TS35 105 Klippon K41/POK4	1910070000	B.56
TS35 105 Klippon K41/POK4	1910070000	C.121
TS35 64 Klippon K4K11	1910060000	B.44
TS35 64 Klippon K4K11	1910060000	B.52
TS35 64 Klippon K4K11	1910060000	C.120
TS35/140 Klippon K52 POK51	1910100000	B.44
TS35/140 Klippon K52 POK51	1910100000	B.55
TS35/140 Klippon K52 POK51	1910100000	B.62
TS35/140 Klippon K52 POK51	1910100000	B.56
TS35/140 Klippon K52 POK51	1910100000	C.124
TS35/148 KLIPPON K5 CSS	1910080000	B.44
TS35/148 KLIPPON K5 CSS	1910080000	B.54
TS35/148 KLIPPON K5 CSS	1910080000	C.122
TS35/172 KLIPPON K6 CSS	1910110000	C.125
TS35/203 KLIPPON K51POK5	1910090000	C.123
TS35/243 KLIPPON K61POK6	1910120000	C.126
TS35/260 KLIPPON K71 CSS	1910140000	C.128
TS35/324 KLIPPON K7 CSS	1910130000	C.127

V

VG 11-K68	1568990000	D.7
VG 11-K68 SKS	1720490000	D.8
VG 11-MS54-ZE	1718820000	D.11
VG 11-MS68	1569080000	D.9
VG 11-SS 68 KB 5-10	1009760000	D.16
VG 13,5-MS54-ZE	1718830000	D.11
VG 13,5-MS68	1569090000	D.9
VG 13,5-K68	1569000000	D.7
VG 13,5-K68 SKS	1720500000	D.8
VG 16 HQ K68 11,5-15,5	1016080000	D.18
VG 16 HQ K68 9-13	1016070000	D.18
VG 16-K68	1569010000	D.7
VG 16-K68 SKS	1720510000	D.8
VG 16-MS54-ZE	1718840000	D.11
VG 16-MS68	1569100000	D.9
VG 16-SS 68 KB 10-14	1009790000	D.16
VG 21 HQ EMV68 11-15,5	1016120000	D.18
VG 21 HQ EMV68 14-18	1016130000	D.18
VG 21 HQ MS68 11,5-15,5	1016100000	D.18
VG 21 HQ MS68 14-18	1016110000	D.18
VG 21 HQ MS68 9-13	1016090000	D.18
VG 21-K68	1569020000	D.7
VG 21-K68 SKS	1720520000	D.8
VG 21-MS54-ZE	1718850000	D.11
VG 21-MS68	1569110000	D.9
VG 21-SS 68 KB 13-18	1009790000	D.16
VG 29-K68	1569030000	D.7
VG 29-MS54-ZE	1718860000	D.11
VG 29-MS68	1569120000	D.9
VG 29-SS 68 KB 18-25	1009800000	D.16
VG 36-K68	1569040000	D.7
VG 36-MS54-ZE	1718870000	D.11
VG 36-MS68	1569130000	D.9
VG 36-SS 68 KB 22-32	1009810000	D.16
VG 42-K68	1569050000	D.7
VG 42-MS54-ZE	1718880000	D.11
VG 42-MS68	1569140000	D.9

Type	Order No.	Page
VG 48-K68	1718770000	D.7
VG 48-MS54-ZE	1718890000	D.11
VG 48-MS68	1718790000	D.9
VG 7-K68	1568970000	D.7
VG 7-K68 SKS	1720470000	D.8
VG 7-MS54-ZE	1718800000	D.11
VG 7-MS68	1569060000	D.9
VG 7-SS 68 KB 3-6,5	1009740000	D.16
VG 9-K68	1568980000	D.7
VG 9-K68 SKS	1720480000	D.8
VG 9-MS54-ZE	1718810000	D.11
VG 9-MS68	1569070000	D.9
VG 9-SS 68 KB 4-8	1009750000	D.16
VG H M20 MS	1921720000	D.12
VG H M25 MS	1921740000	D.12
VG H M32 MS	1921760000	D.12
VG H M40 MS	1921770000	D.12
VG M12 - MS 1/EMV	1909490000	D.13
VG M12 - MS 68	1772200000	D.9
VG M12 EMV4 MS 3-6,5	2435070000	D.14
VG M12 EXE 4-6,5 CR 7J	2017200000	D.50
VG M12 EXE 4-6,5 SI 7J	2017370000	D.51
VG M12 EXE 4-6,5 CR 7J	2017670000	D.50
VG M12 EXE 4-6,5 SI 7J	2017810000	D.51
VG M12-1/K68	1772280000	D.7
VG M12-K67	1909660000	D.6
VG M12-K68 SKS	1776700000	D.8
VG M16 - K 68	1772290000	D.7
VG M16 - MS 1/EMV	1909500000	D.13
VG M16 - MS 68	1772210000	D.9
VG M16 EMV4 MS 5-10	2435140000	D.14
VG M16 EXE 5-8 CR 7J	2017210000	D.50
VG M16 EXE 5-8 SI 7J	2017380000	B.46
VG M16 EXE 5-8 SI 7J	2017380000	B.47
VG M16 EXE 5-8 SI 7J	2017380000	B.49
VG M16 EXE 5-8 SI 7J	2017380000	B.58
VG M16 EXE 5-8 SI 7J	2017380000	D.51
VG M16 EXE 6-10 CR 7J	2017220000	D.50
VG M16 EXE 6-10 SI 7J	2017390000	B.46
VG M16 EXE 6-10 SI 7J	2017390000	B.47
VG M16 EXE 6-10 SI 7J	2017390000	B.49
VG M16 EXE 6-10 SI 7J	2017390000	B.58
VG M16 EXE 6-10 SI 7J	2017390000	D.51
VG M16 EXE MS	1460040000	B.36
VG M16 EXE MS	1460040000	B.40
VG M16 EXE MS	1460040000	B.46
VG M16 EXE MS	1460040000	B.47
VG M16 EXE MS	1460040000	B.58
VG M16 EXE MS	1460040000	D.46
VG M16 EXE 5-8 CR 7J	2017680000	D.50
VG M16 EXI 5-8 SI 7J	2017820000	D.51
VG M16 EXI 6-10 CR 7J	2017690000	D.50
VG M16 EXI 6-10 SI 7J	2017830000	D.51
VG M16-1/K68	1909860000	D.7
VG M16-1/MS68	1909910000	D.9
VG M16-K67 4-8	1909670000	D.6
VG M16-K67 5-10	1909680000	D.6
VG M16-K68 SKS	1776710000	D.8
VG M20 - MS 1/EMV	1909510000	D.13
VG M20 - MS 68	1772220000	D.9
VG M20 EMV4 MS 6-12	2435150000	D.14
VG M20 EMV4 MS 8-14	2435160000	D.14
VG M20 EXE 11-14 CR 7J	2017250000	D.50
VG M20 EXE 11-14 SI 7J	2017510000	B.46
VG M20 EXE 11-14 SI 7J	2017510000	D.51
VG M20 EXE 7-12 CR 7J	2017230000	D.50
VG M20 EXE 7-12 SI 7J	2017430000	D.51
VG M20 EXE 7-13 CR 7J	2017240000	D.50
VG M20 EXE 7-13 SI 7J	2017500000	B.46
VG M20 EXE 7-13 SI 7J	2017500000	D.51
VG M20 EXE MS	1460050000	B.36
VG M20 EXE MS	1460050000	D.46
VG M20 EXI 11-14 CR 7J	2017720000	D.50
VG M20 EXI 11-14 SI 7J	2017870000	D.51
VG M20 EXI 7-12 CR 7J	2017700000	D.50
VG M20 EXI 7-12 SI 7J	2017840000	D.51
VG M20 EXI 7-13 CR 7J	2017710000	D.50
VG M20 EXI 7-13 SI 7J	2017850000	D.51
VG M20-1/K68	1772300000	D.7

Type	Order No.	Page
VGM63-MS54 ZE	1778530000	D.11
VGM63-SS 68 KB 34-44	1009910000	D.16
VP 11-K54	0294860000	D.66
VP 11-MS65	0294800000	D.67
VP 13,5-K54	0294960000	D.66
VP 13,5-MS65	0294900000	D.67
VP 16-K54	0295060000	D.66
VP 16-MS65	0295000000	D.67
VP 21-K54	0295160000	D.66
VP 21-MS65	0295100000	D.67
VP 29-K54	0501160000	D.66
VP 29-MS65	0501100000	D.67
VP 36-K54	0501260000	D.66
VP 36-MS65	0501200000	D.67
VP 42-K54	0501360000	D.66
VP 42-MS65	0501300000	D.67
VP 48-K54	1719260000	D.66
VP 48-MS65	1719270000	D.67
VP 7-K54	1719250000	D.66
VP 7-MS65	0521600000	D.67
VP 9-K54	0294760000	D.66
VP 9-MS65	0294700000	D.67
VP M12 EX SI 7J	2066710000	D.72
VP M12 K54	1776930000	D.66
VP M12-MS65	1777720000	D.67
VP M16 EX SI 7J	2066720000	B.46
VP M16 EX SI 7J	2066720000	B.47
VP M16 EX SI 7J	2066720000	B.49
VP M16 EX SI 7J	2066720000	B.58
VP M16 EX SI 7J	2066720000	D.72
VP M16 EXE MS	1210890000	D.69
VP M16 K54	1776920000	D.66
VP M16-EXE MS	1737140000	B.46
VP M16-EXE MS	1737140000	B.47
VP M16-EXE MS	1737140000	B.49
VP M16-EXE MS	1737140000	B.58
VP M16-EXE SW	1737070000	D.68
VP M16-MS65	1777730000	D.67
VP M20 EX SI 7J	2066730000	B.46
VP M20 EX SI 7J	2066730000	D.72
VP M20 EXE MS	1210900000	D.69
VP M20 K54	1776910000	D.66
VP M20-EXE MS	1737150000	B.46
VP M20-EXE MS	1737150000	B.62
VP M20-EXE SW	1737080000	D.68
VP M20-MS65	1777740000	D.67
VP M25 EX SI 7J	2066740000	B.53
VP M25 EX SI 7J	2066740000	D.72
VP M25 EXE MS	1210910000	B.53
VP M25 EXE MS	1210910000	D.69
VP M25 K54	1776900000	D.66
VP M25-EXE SW	1737090000	D.68
VP M25-MS65	1777750000	D.67
VP M32 EX SI 7J	2066750000	D.72
VP M32 EXE MS	1210920000	D.69
VP M32 K54	1776940000	D.66
VP M32-EXE SW	1737100000	D.68
VP M32-MS65	1777760000	D.67
VP M40 EX SI 7J	2066760000	D.72
VP M40 EXE MS	1210930000	D.69
VP M40 K54	1776950000	D.66
VP M40-EXE SW	1737110000	D.68
VP M40-MS65	1777770000	D.67
VP M50 EX SI 7J	2066770000	D.72
VP M50 EXE MS	1210940000	D.69
VP M50 K54	1776960000	D.66
VP M50-EXE SW	1737120000	D.68
VP M50-MS65	1777780000	D.67
VP M63 EX SI 7J	2066940000	D.72
VP M63 EXE MS	1210950000	D.69
VP M63 K54	1776970000	D.66
VP M63-EXE SW	1737130000	D.68
VP M63-MS65	1777790000	D.67

Type	Order No.	Page
WPE 4	1010100000	B.43

W

WDU 4	1020100000	B.38
WDU 4	1020100000	B.39
WDU 4	1020100000	B.41
WDU 4	1020100000	B.42
WDU 4	1020100000	B.43
WDU 4 BL	1020180000	B.36
WDU 4 BL	1020180000	B.37
WDU 4 BL	1020180000	B.40
WK 1/4 C6,3 E6,3	9202510000	F.13
WK K PH0	9918570000	F.13
WK K PH1	9918580000	F.13
WK K PH2	9918590000	F.13
WK K PZ0	9918600000	F.13
WK K PZ1	9918610000	F.13
WK K PZ2	9918620000	F.13
WK S 0,4x2,5	9918520000	F.13
WK S 0,5x3,0	9918530000	F.13
WK S 0,6x3,5	9918540000	F.13
WK S 0,8x4,0	9918550000	F.13
WK S 1,0x5,5	9918560000	F.13
WPE 4	1010100000	B.38
WPE 4	1010100000	B.39
WPE 4	1010100000	B.42

Order No.	Type	Page
-----------	------	------

0230000000

0235000000	IS 8 DIN 6911	F.24
------------	---------------	------

0290000000

0294700000	VP 9-MS85	D.67
0294760000	VP 9-K54	D.66
0294800000	VP 11-MS85	D.67
0294860000	VP 11-K54	D.66
0294900000	VP 13,5-MS85	D.67
0294960000	VP 13,5-K54	D.66
0295000000	VP 16-MS85	D.67
0295060000	VP 16-K54	D.66
0295100000	VP 21-MS85	D.67
0295160000	VP 21-K54	D.66

0340000000

0342000000	KLIPPON K1	B.44
0342000000	KLIPPON K1	C.108
0342000000	KLIPPON K1	C.113
0342100000	KLIPPON K2	B.44
0342100000	KLIPPON K2	C.108
0342100000	KLIPPON K2	C.115
0342200000	KLIPPON K3	B.44
0342200000	KLIPPON K3	C.108
0342200000	KLIPPON K3	C.117
0342300000	KLIPPON K4	B.44
0342300000	KLIPPON K4	C.108
0342300000	KLIPPON K4	C.120
0342400000	KLIPPON K5	B.44
0342400000	KLIPPON K5	C.108
0342400000	KLIPPON K5	C.122
0342500000	KLIPPON K6	C.108
0342500000	KLIPPON K6	C.125
0342600000	KLIPPON K7	C.108
0342600000	KLIPPON K7	C.127

0360000000

0360100000	TBF 19/15/14 7035	C.152
0360100000	TBF 19/15/14 7035	C.154
0360200000	TBF 30/19/18 7035	C.152
0360200000	TBF 30/19/18 7035	C.154
0360300000	TBF 30/30/18 7035	C.152
0360300000	TBF 30/30/18 7035	C.155
0360400000	TBF 37/30/18 7035	C.152
0360400000	TBF 37/30/18 7035	C.155
0360500000	TBF 60/30/18 7035	C.152
0360500000	TBF 60/30/18 7035	C.157
0360800000	MF TBF	C.154
0360800000	MF TBF	C.155
0360800000	MF TBF	C.156
0360800000	MF TBF	C.157
0360800000	MF TBF	C.158
0360800000	MF TBF	C.158

0400000000

0407900000	IS 6 DIN 6911	F.24
------------	---------------	------

0430000000

0433500000	SFN55 VKMU M5 SW15	C.100
0433500000	SFN55 VKMU M5 SW15	C.101
0433500000	SFN55 VKMU M5 SW15	C.102
0433500000	SFN55 VKMU M5 SW15	C.103
0433500000	SFN55 VKMU M5 SW15	C.104
0433500000	SFN55 VKMU M5 SW15	C.105
0433500000	SFN55 VKMU M5 SW15	C.106
0433500000	SFN55 VKMU M5 SW15	C.107

0480000000

0485100000	IS 4 DIN 6911	F.24
------------	---------------	------

0500000000

0500500000	TBF 19/15/14 trsp	C.152
0500500000	TBF 19/15/14 trsp	C.154
0500600000	TBF 30/19/18 trsp	C.152
0500600000	TBF 30/19/18 trsp	C.154
0500700000	TBF 30/30/18 trsp	C.152
0500700000	TBF 30/30/18 trsp	C.155
0500800000	TBF 37/30/18 trsp	C.152
0500800000	TBF 37/30/18 trsp	C.155
0500900000	TBF 60/30/21 trsp	C.152
0500900000	TBF 60/30/21 trsp	C.157
0501100000	VP 29-MS85	D.67
0501160000	VP 29-K54	D.66
0501200000	VP 36-MS85	D.67
0501260000	VP 36-K54	D.66
0501300000	VP 42-MS85	D.67
0501360000	VP 42-K54	D.66

Order No.	Type	Page
-----------	------	------

0520000000

0521600000	VP 7-MS85	D.67
------------	-----------	------

0570000000

0573200000	KLIPPON K0	C.108
0573200000	KLIPPON K0	C.110
0573300000	KLIPPON K1	B.44
0573300000	KLIPPON K1	C.108
0573300000	KLIPPON K1	C.114
0573400000	KLIPPON K2	B.44
0573400000	KLIPPON K2	C.108
0573400000	KLIPPON K2	C.116
0573500000	KLIPPON K3	B.44
0573500000	KLIPPON K3	C.108
0573500000	KLIPPON K3	C.118
0573600000	KLIPPON K6	C.108
0573600000	KLIPPON K6	C.126
0573700000	KLIPPON K7	C.108
0573700000	KLIPPON K7	C.128

0640000000

0642600000	FKSC M6X8 D9/SW3	B.36
0642600000	FKSC M6X8 D9/SW3	C.150

0890000000

0899750000	KSWF M20	D.60
0899770000	KSWF M25	D.60
0899780000	KSWN M40	D.59

0900000000

0900660000	KSWN M50	D.59
------------	----------	------

0930000000

0930001211	KDSU M20 BS 0 SC 1 G16	D.32
0930001212	KDSU M20 BS 0 SC 2 G16	D.32
0930001221	KDSU M20 BS 0 NI 1 G16	D.29
0930001221	KDSU M20 BS 0 NI 1 G16	D.33
0930001222	KDSU M20 BS 0 NI 2 G16	D.29
0930001222	KDSU M20 BS 0 NI 2 G16	D.33
0930011213	KDSU M20 BS 0 SC 1 G20S	D.32
0930011214	KDSU M20 BS 0 SC 2 G20S	D.32
0930011223	KDSU M20 BS 0 NI 1 G20S	D.29
0930011223	KDSU M20 BS 0 NI 1 G20S	D.33
0930011224	KDSU M20 BS 0 NI 2 G20S	D.29
0930011224	KDSU M20 BS 0 NI 2 G20S	D.33
0930021211	KDSU M20 BS 0 SC 1 G20	D.32
0930021212	KDSU M20 BS 0 SC 2 G20	D.32
0930021221	KDSU M20 BS 0 NI 1 G20	D.29
0930021222	KDSU M20 BS 0 NI 2 G20	D.33
0930031211	KDSU M25 BS 0 SC 1 G25	D.32
0930031212	KDSU M25 BS 0 SC 2 G25	D.32
0930031221	KDSU M25 BS 0 NI 1 G25	D.33
0930031222	KDSU M25 BS 0 NI 2 G25	D.33
0930041211	KDSU M32 BS 0 SC 1 G32	D.32
0930041212	KDSU M32 BS 0 SC 2 G32	D.32
0930041221	KDSU M32 BS 0 NI 1 G32	D.33
0930041222	KDSU M32 BS 0 NI 2 G32	D.33
0930051212	KDSU M40 BS 0 SC 2 G40	D.32
0930051222	KDSU M40 BS 0 NI 2 G40	D.33
0930061213	KDSU M50 BS 0 SC 1 G50S	D.32
0930061224	KDSU M50 BS 0 NI 2 G50S	D.33
0930091222	KDSU M63 BS 0 NI 2 G63	D.33
0930481212	KSG M20 BS 0 SC 2 G16	D.43
0930481222	KSG M20 BS 0 NI 2 G16	D.43
0930491224	KSG M20 BS 0 NI 2 G20S	D.43
0930501212	KSG M20 BS 0 SC 2 G20	D.43
0930501222	KSG M20 BS 0 NI 2 G20	D.43
0930511212	KSG M25 BS 0 SC 2 G25	D.43
0930511222	KSG M25 BS 0 NI 2 G25	D.43
0930521212	KSG M32 BS 0 SC 2 G32	D.43
0930521222	KSG M32 BS 0 NI 2 G32	D.43
0930531212	KSG M40 BS 0 SC 2 G40	D.43
0930531222	KSG M40 BS 0 NI 2 G40	D.43
0930551212	KSG M50 BS 0 SC 2 G50	D.43
0930640001	SKMU M16 MS SC	D.55
0930640002	SKMU M20 MS SC	D.55
0930640003	SKMU M25 MS SC	D.55
0930640004	SKMU M32 MS SC	D.55
0930640005	SKMU M40 MS SC	D.55
0930640006	SKMU M50 MS SC	D.55
0930640007	SKMU M63 MS SC	D.55
0930640008	SKMU M75 MS SC	D.55
0930700001	KSP L24 S	D.63
0930700002	KSP L30 S	D.63
0930700003	KSP L38 S	D.63
0930700004	KSP L46 S	D.63
0930700005	KSP L55 S	D.63
0930700006	KSP L65 S	D.63
0930700007	KSP L80 S	D.63
0930700008	KSP L90 S	D.63
0930710001	EA-RING MS/M16 SC	D.62
0930710002	EA-RING MS/M20 SC	D.62

Order No.	Type	Page
-----------	------	------

0930710003	EA-RING MS/M25 SC	D.62
0930710004	EA-RING MS/M32 SC	D.62
0930710005	EA-RING MS/M40 SC	D.62
0930710006	EA-RING MS/M50 SC	D.62
0930710007	EA-RING MS/M63 SC	D.62
0930710008	EA-RING MS/M75 SC	D.62
0930730002	KSWN M20	D.59
0935110000	SP M6 10 S2	C.17
0935110000	SP M6 10 S2	C.95
0935120000	SP M6 15 S2	C.17
0935120000	SP M6 15 S2	C.95
0935130000	SP M6 20 S2	C.17
0935130000	SP M6 20 S2	C.95
0935140000	SP M6 30 S2	C.17
0935140000	SP M6 30 S2	C.95

1000000000

1002690000	KLIPPON STB 1 SS	B.40
1002690000	KLIPPON STB 1 SS	C.98
1002690000	KLIPPON STB 1 SS	C.100
1002700000	KLIPPON STB 5 SS	C.98
1002700000	KLIPPON STB 5 SS	C.106
1002710000	KLIPPON STB 4 SS	B.43
1002710000	KLIPPON STB 4 SS	C.98
1002710000	KLIPPON STB 4 SS	C.105
1002720000	KLIPPON STB 3 SS	B.42
1002720000	KLIPPON STB 3 SS	C.98
1002720000	KLIPPON STB 3 SS	C.104
1002730000	KLIPPON STB 2.1 SS	C.98
1002730000	KLIPPON STB 2.1 SS	C.103
1002740000	KLIPPON STB 2 SS	B.41
1002740000	KLIPPON STB 2 SS	C.98
1002740000	KLIPPON STB 2 SS	C.102
1002750000	KLIPPON STB 1.1 SS	C.98
1002750000	KLIPPON STB 1.1 SS	C.101
1002760000	KLIPPON STB 6 SS	C.98
1002760000	KLIPPON STB 6 SS	C.107
1009740000	VG 7-SS 68 KB 3-6.5	D.16
1009750000	VG 9-SS 68 KB 4-8	D.16
1009760000	VG 11-SS 68 KB 5-10	D.16
1009780000	VG 16-SS 68 KB 10-14	D.16
1009790000	VG 21-SS 68 KB 13-18	D.16
1009800000	VG 29-SS 68 KB 18-25	D.16
1009810000	VG 36-SS 68 KB 22-32	D.16
1009840000	VGM12-SS 68 KB 3-6.5	D.16
1009850000	VGM16-SS 68 KB 4-8	D.16
1009860000	VGM20-SS 68 KB 6-12	D.16
1009870000	VGM25-SS 68 KB 10-14	D.16
1009880000	VGM32-SS 68 KB 13-18	D.16
1009890000	VGM40-SS 68 KB 18-25	D.16
1009900000	VGM50-SS 68 KB 22-32	D.16
1009910000	VGM63-SS 68 KB 34-44	D.16

1010000000

1010100000	WPE 4	B.38
1010100000	WPE 4	B.39
1010100000	WPE 4	B.42
1010100000	WPE 4	B.43
1016070000	VG 16 HQ K68 9-13	D.18
1016080000	VG 16 HQ K68 11.5-15.5	D.18
1016090000	VG 21 HQ MS68 9-13	D.18
1016100000	VG 21 HQ MS68 11.5-15.5	D.18
1016110000	VG 21 HQ MS68 14-18	D.18
1016120000	VG 21 HQ EMV68 11-15.5	D.18
1016130000	VG 21 HQ EMV68 14-18	D.18

1020000000

1020100000	WDU 4	B.38
1020100000	WDU 4	B.39
1020100000	WDU 4	B.41
1020100000	WDU 4	B.42
1020100000	WDU 4	B.43
1020180000	WDU 4 BL	B.36
1020180000	WDU 4 BL	B.37
1020180000	WDU 4 BL	B.40
1024970000	KLIPPON STB 1 MS HT	C.98
1024970000	KLIPPON STB 1 MS HT	C.100
1024980000	KLIPPON STB 1.1 MS HT	C.98
1024980000	KLIPPON STB 1.1 MS HT	C.101
1024990000	KLIPPON STB 2 MS HT	C.98
1024990000	KLIPPON STB 2 MS HT	C.102
1025010000	KLIPPON STB 2.1 MS HT	C.98
1025010000	KLIPPON STB 2.1 MS HT	C.103
1025020000	KLIPPON STB 3 MS HT	C.98
1025020000	KLIPPON STB 3 MS HT	C.104
1025030000	KLIPPON STB 4 MS HT	C.98
1025030000	KLIPPON STB 4 MS HT	C.105
1025040000	KLIPPON STB 5 MS HT	C.98
1025040000	KLIPPON STB 5 MS HT	C.106
1025050000	KLIPPON STB 6 MS HT	C.98
1025050000	KLIPPON STB 6 MS HT	C.107

1030000000

1039850000	CABTITE KEL-DP 24/14	E.7
1039870000	CABTITE KEL-DP 24/17	E.7

Order No.	Type	Page
-----------	------	------

Order No.	Type	Page
1075030000	KDSW M20 BN O NI 1 G16	D.35
1075040000	KDSW M20 BN O NI 2 G16	D.35
1075050000	KDSW M20 BN O NI 2 G20S	D.35
1075060000	KDSW M20 BN O NI 2 G20S	D.35
1075070000	KDSW M20 BN O NI 1 G20	D.35
1075080000	KDSW M20 BN O NI 2 G20	D.35
1075090000	KDSW M25 BN O NI 1 G25	D.35
1075110000	KDSW M25 BN O NI 2 G25	D.35
1075120000	KDSW M32 BN O NI 1 G32	D.35
1075130000	KDSW M32 BN O NI 2 G32	D.35
1075140000	KDSW M40 BN O NI 1 G40	D.35
1075150000	KDSW M40 BN O NI 2 G40	D.35
1075160000	KDSW M50 BN O NI 1 G50S	D.35
1075170000	KDSW M50 BN O NI 2 G50S	D.35
1075180000	KDSW M50 BN O NI 1 G50	D.35
1075190000	KDSW M50 BN O NI 2 G50	D.35
1075200000	KDSW M63 BN O NI 1 G63S	D.35
1075210000	KDSW M63 BN O NI 2 G63S	D.35
1075220000	KDSW M63 BN O NI 1 G63	D.35
1075230000	KDSW M63 BN O NI 2 G63	D.35
1075240000	KDSW M75 BN O NI 1 G75S	D.35
1075250000	KDSW M75 BN O NI 2 G75S	D.35
1075260000	KDSW M75 BN O NI 1 G75S	D.35
1075270000	KDSW M75 BN O NI 2 G75S	D.35
1075280000	KDSW M75 BN O NI 2 G75	D.35
1075300000	KSG M75 BN O SC 2 G75S	D.42
1075340000	KSG M75 BN O SC 2 G75	D.42
1075350000	KSG M75 BN O NI 2 G75S	D.42
1075360000	KSG M75 BN O NI 2 G75	D.42
1076120000	KDSU M20 BN O SC 1 G16	D.30
1076130000	KDSU M20 BN O SC 1 G20S	D.30
1076140000	KDSU M20 BN O SC 1 G20	D.30
1076150000	KDSU M25 BN O SC 1 G25	D.30
1076160000	KDSU M32 BN O SC 1 G32	D.30
1076170000	KDSU M40 BN O SC 1 G40	D.30
1076180000	KDSU M50 BN O SC 1 G50S	D.30
1076190000	KDSU M50 BN O SC 1 G50	D.30
1076200000	KDSU M63 BN O SC 1 G63S	D.30
1076210000	KDSU M63 BN O SC 1 G63	D.30
1076220000	KDSU M75 BN O SC 1 G75S	D.30
1076230000	KDSU M75 BN O SC 2 G75S	D.30
1076240000	KDSU M75 BN O SC 1 G75	D.30
1076250000	KDSW M20 BN L SC 1 G16	D.38
1076260000	KDSU M75 BN O SC 2 G75	D.30
1076270000	KDSW M20 BN L SC 2 G16	D.38
1076280000	KDSW M20 BN L SC 1 G20S	D.38
1076290000	KDSW M20 BN L SC 2 G20S	D.38
1076300000	KDSW M20 BN L SC 1 G20	D.38
1076310000	KDSW M20 BN L SC 2 G20	D.38
1076320000	KDSW M25 BN L SC 1 G25	D.38
1076330000	KDSW M25 BN L SC 2 G25	D.38
1076340000	KDSW M32 BN L SC 1 G32	D.38
1076350000	KDSW M32 BN L SC 2 G32	D.38
1076360000	KDSW M40 BN L SC 1 G40	D.38
1076370000	KDSW M40 BN L SC 2 G40	D.38
1076380000	KDSW M50 BN L SC 1 G50S	D.38
1076390000	KDSW M50 BN L SC 2 G50S	D.38
1076400000	KDSW M50 BN L SC 1 G50	D.38
1076410000	KDSW M50 BN L SC 2 G50	D.38
1076420000	KDSW M63 BN L SC 1 G63S	D.38
1076430000	KDSW M63 BN L SC 2 G63S	D.38
1076440000	KDSW M63 BN L SC 1 G63	D.38
1076450000	KDSW M63 BN L SC 2 G63	D.38
1076460000	KDSW M75 BN L SC 1 G75S	D.38
1076470000	KDSW M75 BN L SC 2 G75S	D.38
1076480000	KDSW M75 BN L SC 1 G75	D.38
1076490000	KDSW M75 BN L SC 2 G75	D.38
1076630000	KSWN M16	D.59
1076640000	KSWN M25	D.59
1076650000	KSWN M32	D.59
1076660000	KSWN M63	D.59
1076670000	KSWN M75	D.59
1076680000	KSWF M16	D.60
1076690000	KSWF M32	D.60
1076710000	KSWF M40	D.60
1076720000	KSWF M50	D.60
1076730000	KSWF M63	D.60
1076740000	KSWF M75	D.60
1076750000	KSP EL46	D.64
1076760000	KSP EL55	D.64
1076770000	KSP EL65	D.64
1076780000	KSP EL80	D.64
1076790000	KSP EL90	D.64

1080000000

1083280000	KDSU M20 BN O NI 1 G16	D.31
1083290000	KDSU M20 BN O NI 1 G20S	D.31
1083300000	KDSU M20 BN O NI 1 G20	D.31
1083310000	KDSU M25 BN O NI 1 G25	D.31
1083340000	KDSU M32 BN O NI 1 G32	D.31
1083350000	KDSU M40 BN O NI 1 G40	D.31
1083360000	KDSU M50 BN O NI 1 G50S	D.31
1083370000	KDSU M50 BN O NI 1 G50	D.31
1083380000	KDSU M63 BN O NI 1 G63S	D.31
1083390000	KDSU M63 BN O NI 1 G63	D.31
1083400000	KDSU M75 BN O NI 1 G75S	D.31
1083410000	KDSU M75 BN O NI 2 G75S	D.31
1083420000	KDSU M75 BN O NI 1 G75	D.31
1083430000	KDSU M75 BN O NI 2 G75	D.31

Order No.	Type	Page
1095100000	KUB M20 BS O NI 1 G16	D.45
1095110000	KUB M20 BS O NI 2 G16	D.45
1095120000	KUB M20 BS O NI 1 G20S	D.45
1095130000	KUB M20 BS O NI 2 G20S	D.45
1095140000	KUB M20 BS O NI 1 G20	D.45
1095150000	KUB M20 BS O NI 2 G20	D.45
1095160000	KUB M25 BS O NI 1 G25	D.45
1095170000	KUB M25 BS O NI 2 G25	D.45
1095180000	KUB M32 BS O NI 1 G32	D.45
1095190000	KUB M32 BS O NI 2 G32	D.45
1095200000	KUB M40 BS O NI 1 G40	D.45
1095210000	KUB M40 BS O NI 2 G40	D.45
1095220000	KUB M50 BS O NI 1 G50S	D.45
1095230000	KUB M50 BS O NI 2 G50S	D.45
1095240000	KUB M50 BS O NI 1 G50	D.45
1095250000	KUB M50 BN O NI 2 G50	D.45
1095260000	KUB M63 BS O NI 1 G63S	D.45
1095270000	KUB M63 BS O NI 2 G63S	D.45
1095280000	KUB M63 BS O NI 1 G63	D.45
1095290000	KUB M63 BS O NI 2 G63	D.45
1095300000	KUB M75 BS O NI 1 G75S	D.45
1095310000	KUB M75 BS O NI 2 G75S	D.45
1095320000	KUB M75 BS O NI 1 G75	D.45
1095330000	KUB M75 BS O NI 2 G75	D.45
1095340000	KUB M20 BS O SC 1 G16	D.44
1095350000	KUB M20 BS O SC 2 G16	D.44
1095360000	KUB M20 BS O SC 1 G20S	D.44
1095370000	KUB M20 BS O SC 2 G20S	D.44
1095380000	KUB M20 BS O SC 1 G20	D.44
1095390000	KUB M20 BS O SC 2 G20	D.44
1095400000	KUB M25 BS O SC 1 G25	D.44
1095410000	KUB M25 BS O SC 2 G25	D.44
1095420000	KUB M32 BS O SC 1 G32	D.44
1095430000	KUB M32 BS O SC 2 G32	D.44
1095440000	KUB M40 BS O SC 1 G40	D.44
1095450000	KUB M40 BS O SC 2 G40	D.44
1095460000	KUB M50 BS O SC 1 G50S	D.44
1095470000	KUB M50 BS O SC 2 G50S	D.44
1095480000	KUB M50 BS O SC 1 G50	D.44
1095490000	KUB M50 BS O SC 2 G50	D.44
1095500000	KUB M63 BS O SC 1 G63S	D.44
1095510000	KUB M63 BS O SC 2 G63S	D.44
1095520000	KUB M63 BS O SC 1 G63	D.44
1095530000	KUB M63 BS O SC 2 G63	D.44
1095540000	KUB M75 BS O SC 1 G75S	D.44
1095550000	KUB M75 BS O SC 2 G75S	D.44
1095560000	KUB M75 BS O SC 1 G75	D.44
1095570000	KUB M75 BS O SC 2 G75	D.44

1120000000

1128540000	SDI Set S2.5-5.5/P21/2	F.18
------------	------------------------	------

1130000000

1135240000	IE-KOK-V14	F.6
1135650000	KDSX M20 BS O SC 1 G16	D.40
1135660000	KDSX M20 BS O SC 2 G16	D.40
1135670000	KDSX M20 BS O SC 1 G20S	D.40
1135680000	KDSX M20 BS O SC 2 G20S	D.40
1135690000	KDSX M20 BS O SC 1 G20	D.40
1135710000	KDSX M20 BS O SC 2 G20	D.40
1135720000	KDSX M25 BS O SC 1 G25	D.40
1135730000	KDSX M25 BS O SC 2 G25	D.40
1135740000	KDSX M32 BS O SC 1 G32	D.40
1135750000	KDSX M32 BS O SC 2 G32	D.40
1135760000	KDSX M40 BS O SC 1 G40	D.40
1135770000	KDSX M40 BS O SC 2 G40	D.40
1135780000	KDSX M50 BS O SC 1 G50S	D.40
1135790000	KDSX M50 BS O SC 2 G50S	D.40
1135800000	KDSX M50 BS O SC 1 G50	D.40
1135810000	KDSX M50 BS O SC 2 G50	D.40
1135820000	KDSX M63 BS O SC 1 G63S	D.40
1135830000	KDSX M63 BS O SC 2 G63S	D.40
1135840000	KDSX M63 BS O SC 1 G63	D.40
1135850000	KDSX M63 BS O SC 2 G63	D.40
1135860000	KDSX M75 BS O SC 1 G75S	D.40
1135870000	KDSX M75 BS O SC 2 G75S	D.40
1135880000	KDSX M75 BS O SC 1 G75	D.40
1135890000	KDSX M75 BS O SC 2 G75	D.40
1135910000	KDSX M20 BS O NI 1 G16	D.41
1135920000	KDSX M20 BS O NI 2 G16	D.41
1135930000	KDSX M20 BS O NI 1 G20S	D.41
1135940000	KDSX M20 BS O NI 2 G20S	D.41
1135950000	KDSX M20 BS O NI 1 G20	D.41
1135960000	KDSX M20 BS O NI 2 G20	D.41
1135970000	KDSX M25 BS O NI 1 G25	D.41
1135980000	KDSX M25 BS O NI 2 G25	D.41
1135990000	KDSX M32 BS O NI 1 G32	D.41
1136000000	KDSX M32 BS O NI 2 G32	D.41
1136010000	KDSX M40 BS O NI 1 G40	D.41
1136020000	KDSX M40 BS O NI 2 G40	D.41
1136030000	KDSX M50 BS O NI 1 G50S	D.41
1136040000	KDSX M50 BS O NI 2 G50S	D.41
1136050000	KDSX M50 BS O NI 1 G50	D.41
1136060000	KDSX M50 BS O NI 2 G50	D.41
1136070000	KDSX M63 BS O NI 1 G63S	D.41

Order No.	Type	Page
1136080000	KDSX M63 BS O NI 2 G63S	D.41
1136090000	KDSX M63 BS O NI 1 G63	D.41
1136110000	KDSX M63 BS O NI 2 G63	D.41
1136120000	KDSX M75 BS O NI 1 G75S	D.41
1136130000	KDSX M75 BS O NI 2 G75S	D.41
1136140000	KDSX M75 BS O NI 1 G75	D.41
1136150000	KDSX M75 BS O NI 2 G75	D.41
1136160000	KDSW M20 BS O SC 1 G16	D.36
1136170000	KDSW M20 BS O SC 2 G16	D.36
1136180000	KDSW M20 BS O SC 1 G20S	D.36
1136190000	KDSW M20 BS O SC 2 G20S	D.36
1136200000	KDSW M20 BS O SC 1 G20	D.36
1136210000	KDSW M20 BS O SC 2 G20	D.36
1136220000	KDSW M25 BS O SC 1 G25	D.36
1136230000	KDSW M25 BS O SC 2 G25	D.36
1136240000	KDSW M32 BS O SC 1 G32	D.36
1136250000	KDSW M32 BS O SC 2 G32	D.36
1136260000	KDSW M40 BS O SC 1 G40	D.36
1136270000	KDSW M40 BS O SC 2 G40	D.36
1136280000	KDSW M50 BS O SC 1 G50S	D.36
1136290000	KDSW M50 BS O SC 2 G50S	D.36
1136310000	KDSW M50 BS O SC 1 G50	D.36
1136320000	KDSW M50 BS O SC 2 G50	D.36
1136330000	KDSW M63 BS O SC 1 G63S	D.36
1136340000	KDSW M63 BS O SC 2 G63S	D.36
1136350000	KDSW M63 BS O SC 1 G63	D.36
1136360000	KDSW M63 BS O SC 2 G63	D.36
1136370000	KDSW M75 BS O SC 1 G75S	D.36
1136380000	KDSW M75 BS O SC 2 G75S	D.36
1136390000	KDSW M75 BS O SC 1 G75	D.36
1136400000	KDSW M75 BS O SC 2 G75	D.36
1136410000	KDSW M20 BS O NI 1 G16	D.37
1136420000	KDSW M20 BS O NI 2 G16	D.37
1136430000	KDSW M20 BS O NI 1 G20S	D.37
1136440000	KDSW M20 BS O NI 2 G20S	D.37
1136450000	KDSW M20 BS O NI 1 G20	D.37
1136460000	KDSW M20 BS O NI 2 G20	D.37
1136470000	KDSW M25 BS O NI 1 G25	D.37
1136480000	KDSW M25 BS O NI 2 G25	D.37
1136490000	KDSW M32 BS O NI 1 G32	D.37
1136510000	KDSW M32 BS O NI 2 G32	D.37
1136520000	KDSW M40 BS O NI 1 G40	D.37
1136530000	KDSW M40 BS O NI 2 G40	D.37
1136540000	KDSW M50 BS O NI 1 G50S	D.37
1136550000	KDSW M50 BS O NI 2 G50S	D.37
1136560000	KDSW M50 BS O NI 1 G50	D.37
1136570000	KDSW M50 BS O NI 2 G50	D.37
1136580000	KDSW M63 BS O NI 1 G63S	D.37
1136590000	KDSW M63 BS O NI 2 G63S	D.37
1136600000	KDSW M63 BS O NI 1 G63	D.37
1136610000	KDSW M63 BS O NI 2 G63	D.37
1136620000	KDSW M75 BS O NI 1 G75S	D.37
1136630000	KDSW M75 BS O NI 2 G75S	D.37
1136640000	KDSW M75 BS O NI 1 G75	D.37
1136650000	KDSW M75 BS O NI 2 G75	D.37
1136660000	KSG M50 BS O NI 2 G50S	D.43
1136670000	KSG M50 BS O NI 2 G50	D.43
1136680000	KSG M63 BS O NI 2 G63S	D.43
1136690000	KSG M63 BS O NI 2 G63	D.43
1136700000	KSG M75 BS O NI 2 G75S	D.43
1136710000	KSG M75 BS O NI 2 G75	D.43
1136720000	KSG M20 BS O SC 2 G20S	D.43
1136730000	KSG M50 BS O SC 2 G50S	D.43
1136740000	KSG M63 BS O SC 2 G63S	D.43
1136750000	KSG M63 BS O SC 2 G63	D.43
1136760000	KSG M75 BS O SC 2 G75S	D.43
1136770000	KSG M75 BS O SC 2 G75	D.43
1136780000	KDSU M40 BS O SC 1 G40	D.32
1136790000	KDSU M50 BS O SC 2 G50S	D.32
1136800000	KDSU M50 BS O SC 1 G50	D.32
1136810000	KDSU M50 BS O NI 2 G50	D.32</

Order No.	Type	Page
1200690000	KTBL 624515 S4E3	C.58
1200710000	KTBL 624515 S4E4	C.40
1200710000	KTBL 624515 S4E4	C.58
1200730000	KTBL 624520 S4E1	C.40
1200730000	KTBL 624520 S4E1	C.59
1200740000	KTBL 624520 S4E2	C.40
1200740000	KTBL 624520 S4E2	C.59
1200750000	KTBL 624520 S4E3	C.40
1200750000	KTBL 624520 S4E3	C.59
1200760000	KTBL 624520 S4E4	C.40
1200760000	KTBL 624520 S4E4	C.59
1200780000	KTBL 765015 S4E1	C.40
1200780000	KTBL 765015 S4E1	C.60
1200790000	KTBL 765015 S4E2	C.40
1200790000	KTBL 765015 S4E2	C.60
1200810000	KTBL 765015 S4E3	C.40
1200810000	KTBL 765015 S4E3	C.60
1200820000	KTBL 765015 S4E4	C.40
1200820000	KTBL 765015 S4E4	C.60
1200840000	KTBL 765020 S4E1	C.40
1200840000	KTBL 765020 S4E1	C.61
1200850000	KTBL 765020 S4E2	C.40
1200850000	KTBL 765020 S4E2	C.61
1200860000	KTBL 765020 S4E3	C.40
1200860000	KTBL 765020 S4E3	C.61
1200870000	KTBL 765020 S4E4	C.40
1200870000	KTBL 765020 S4E4	C.61
1200880000	KTBL 916115 S4E1	C.40
1200880000	KTBL 916115 S4E1	C.62
1200890000	KTBL 916115 S4E2	C.40
1200890000	KTBL 916115 S4E2	C.62
1200910000	KTBL 916115 S4E2	C.40
1200910000	KTBL 916115 S4E2	C.62
1200920000	KTBL 916115 S4E3	C.40
1200920000	KTBL 916115 S4E3	C.62
1200930000	KTBL 916115 S4E4	C.40
1200930000	KTBL 916115 S4E4	C.62
1200930000	KTBL 916115 S4E4	C.62
1200950000	KTBL 916120 S4E1	C.40
1200950000	KTBL 916120 S4E1	C.63
1200960000	KTBL 916120 S4E2	C.40
1200960000	KTBL 916120 S4E2	C.63
1200970000	KTBL 916120 S4E3	C.40
1200970000	KTBL 916120 S4E3	C.63
1200980000	KTBL 916120 S4E4	C.40
1200980000	KTBL 916120 S4E4	C.63
1201010000	KTBL 987420 S4E1	C.40
1201010000	KTBL 987420 S4E1	C.64
1201020000	KTBL 987420 S4E2	C.40
1201020000	KTBL 987420 S4E2	C.64
1201030000	KTBL 987420 S4E3	C.40
1201030000	KTBL 987420 S4E3	C.64
1201040000	KTBL 987420 S4E4	C.40
1201040000	KTBL 987420 S4E4	C.64
1205890000	VGM40/1-MS68 20-32 BG	D.10
1205920000	VGM40/1-SS68 20-32 BG	D.17

1210000000

1210890000	VP M16 EXE MS	D.69
1210900000	VP M20 EXE MS	D.69
1210910000	VP M25 EXE MS	B.53
1210910000	VP M25 EXE MS	D.69
1210920000	VP M32 EXE MS	D.69
1210930000	VP M40 EXE MS	D.69
1210940000	VP M50 EXE MS	D.69
1210950000	VP M63 EXE MS	D.69

1250000000

1252190000	TPSD FIXING SET KTB	C.17
1252190000	TPSD FIXING SET KTB	C.64
1252730000	DOHA KTB A4 S2 R	B.39
1252730000	DOHA KTB A4 S2 R	C.64
1252750000	DOHA KTB A5 S2 R	C.26
1252750000	DOHA KTB A5 S2 R	C.64
1252780000	DOHA KTB A6 S2 R	B.37
1252780000	DOHA KTB A6 S2 R	C.64
1253230000	DESC M6X14 KTB SET	B.36
1253230000	DESC M6X14 KTB SET	C.64
1256270000	KTBL GP 221513 AB S4 6MM	B.36
1256270000	KTBL GP 221513 AB S4 6MM	C.17
1256270000	KTBL GP 221513 AB S4 6MM	C.43
1256280000	KTBL GP 221513 CD S4 6MM	C.17
1256280000	KTBL GP 221513 CD S4 6MM	C.43
1256290000	KTBL GP 262615 AB S4 6MM	B.37
1256290000	KTBL GP 262615 AB S4 6MM	C.18
1256290000	KTBL GP 262615 AB S4 6MM	C.44
1256310000	KTBL GP 262615 CD S4 6MM	C.18
1256310000	KTBL GP 262615 CD S4 6MM	C.44
1256320000	KTBL GP 262620 AB S4 6MM	C.19
1256320000	KTBL GP 262620 AB S4 6MM	C.45
1256330000	KTBL GP 262620 CD S4 6MM	C.19
1256330000	KTBL GP 262620 CD S4 6MM	C.45
1256340000	KTBL GP 303015 AB S4 6MM	C.20
1256340000	KTBL GP 303015 AB S4 6MM	C.46
1256350000	KTBL GP 303015 CD S4 6MM	C.20
1256350000	KTBL GP 303015 CD S4 6MM	C.46
1256360000	KTBL GP 303020 AB S4 6MM	B.38
1256360000	KTBL GP 303020 AB S4 6MM	C.21
1256360000	KTBL GP 303020 AB S4 6MM	C.47
1256370000	KTBL GP 303020 CD S4 6MM	C.21

Order No.	Type	Page
1256370000	KTBL GP 303020 CD S4 6MM	C.47
1256380000	KTBL GP 352615 AB S4 6MM	C.22
1256380000	KTBL GP 352615 AB S4 6MM	C.48
1256390000	KTBL GP 352615 CD S4 6MM	C.22
1256390000	KTBL GP 352615 CD S4 6MM	C.48
1256410000	KTBL GP 352620 AB S4 6MM	C.23
1256410000	KTBL GP 352620 AB S4 6MM	C.49
1256420000	KTBL GP 352620 CD S4 6MM	C.23
1256420000	KTBL GP 352620 CD S4 6MM	C.49
1256430000	KTBL GP 403015 AB S4 6MM	C.24
1256430000	KTBL GP 403015 AB S4 6MM	C.50
1256440000	KTBL GP 403015 CD S4 6MM	C.24
1256440000	KTBL GP 403015 CD S4 6MM	C.50
1256450000	KTBL GP 403020 AB S4 6MM	C.25
1256450000	KTBL GP 403020 AB S4 6MM	C.51
1256470000	KTBL GP 403020 CD S4 6MM	C.25
1256470000	KTBL GP 403020 CD S4 6MM	C.51
1256480000	KTBL GP 453815 AB S4 6MM	C.26
1256480000	KTBL GP 453815 AB S4 6MM	C.52
1256490000	KTBL GP 453815 CD S4 6MM	C.26
1256490000	KTBL GP 453815 CD S4 6MM	C.52
1256510000	KTBL GP 453820 AB S4 6MM	C.27
1256510000	KTBL GP 453820 AB S4 6MM	C.53
1256520000	KTBL GP 453820 CD S4 6MM	C.27
1256520000	KTBL GP 453820 CD S4 6MM	C.53
1256520000	KTBL GP 453820 CD S4 6MM	C.57
1256530000	KTBL GP 484815 AB S4 6MM	C.28
1256530000	KTBL GP 484815 AB S4 6MM	C.54
1256540000	KTBL GP 484815 CD S4 6MM	C.28
1256540000	KTBL GP 484815 CD S4 6MM	C.54
1256550000	KTBL GP 484820 AB S4 6MM	B.39
1256550000	KTBL GP 484820 AB S4 6MM	C.29
1256560000	KTBL GP 484820 CD S4 6MM	C.28
1256560000	KTBL GP 484820 CD S4 6MM	C.55
1256570000	KTBL GP 553515 AB S4 6MM	C.56
1256570000	KTBL GP 553515 AB S4 6MM	C.30
1256580000	KTBL GP 553515 CD S4 6MM	C.56
1256580000	KTBL GP 553515 CD S4 6MM	C.30
1256590000	KTBL GP 553520 AB S4 6MM	C.31
1256590000	KTBL GP 553520 AB S4 6MM	C.57
1256610000	KTBL GP 553520 CD S4 6MM	C.31
1256610000	KTBL GP 553520 CD S4 6MM	C.57
1256620000	KTBL GP 624515 AB S4 6MM	C.32
1256620000	KTBL GP 624515 AB S4 6MM	C.58
1256630000	KTBL GP 624515 CD S4 6MM	C.32
1256630000	KTBL GP 624515 CD S4 6MM	C.58
1256640000	KTBL GP 624520 AB S4 6MM	C.33
1256640000	KTBL GP 624520 AB S4 6MM	C.59
1256650000	KTBL GP 624520 CD S4 6MM	C.33
1256650000	KTBL GP 624520 CD S4 6MM	C.59
1256660000	KTBL GP 765015 AB S4 6MM	C.34
1256660000	KTBL GP 765015 AB S4 6MM	C.60
1256670000	KTBL GP 765015 CD S4 6MM	C.34
1256670000	KTBL GP 765015 CD S4 6MM	C.60
1256680000	KTBL GP 765020 AB S4 6MM	C.35
1256680000	KTBL GP 765020 AB S4 6MM	C.61
1256690000	KTBL GP 765020 CD S4 6MM	C.35
1256690000	KTBL GP 765020 CD S4 6MM	C.61
1256700000	KTBL GP 987420 AB S4 6MM	C.38
1256700000	KTBL GP 987420 AB S4 6MM	C.64
1256710000	KTBL GP 987420 CD S4 6MM	C.38
1256710000	KTBL GP 987420 CD S4 6MM	C.64
1256720000	KTBL GP 987420 S4 6MM	C.38
1256720000	KTBL GP 987420 S4 6MM	C.64
1256730000	KTBL GP 916120 AB S4 6MM	C.37
1256730000	KTBL GP 916120 AB S4 6MM	C.63
1256740000	KTBL GP 916120 CD S4 6MM	C.37
1256740000	KTBL GP 916120 CD S4 6MM	C.63
1256750000	KTBL GP 987420 AB S4 6MM	C.38
1256750000	KTBL GP 987420 AB S4 6MM	C.64
1256760000	KTBL GP 987420 CD S4 6MM	C.38
1256760000	KTBL GP 987420 CD S4 6MM	C.64
1256770000	KTBL GP 987420 S4 6MM	B.37
1256770000	KTBL GP 987420 S4 6MM	C.64
1256780000	TPSDHA KTB 100X25 S2 R	B.37
1256780000	TPSDHA KTB 100X25 S2 R	C.64
1257650000	KTBL MOPL 2215 S2N H	C.43
1257650000	KTBL MOPL 2215 S2N H	C.43
1257660000	KTBL MOPL 2626 S2N H	C.18
1257660000	KTBL MOPL 2626 S2N H	C.19
1257660000	KTBL MOPL 2626 S2N H	C.44
1257660000	KTBL MOPL 2626 S2N H	C.45
1257670000	KTBL MOPL 3030 S2N H	C.20
1257670000	KTBL MOPL 3030 S2N H	C.21
1257670000	KTBL MOPL 3030 S2N H	C.46
1257670000	KTBL MOPL 3030 S2N H	C.47
1257680000	KTBL MOPL 3526 S2N H	C.23
1257680000	KTBL MOPL 3526 S2N H	C.23
1257680000	KTBL MOPL 3526 S2N H	C.48
1257680000	KTBL MOPL 3526 S2N H	C.49
1257690000	KTBL MOPL 4030 S2N H	C.24
1257690000	KTBL MOPL 4030 S2N H	C.25
1257690000	KTBL MOPL 4030 S2N H	C.50
1257690000	KTBL MOPL 4030 S2N H	C.51
1257700000	KTBL MOPL 4538 S2N H	C.26
1257700000	KTBL MOPL 4538 S2N H	C.27
1257700000	KTBL MOPL 4538 S2N H	C.52
1257700000	KTBL MOPL 4538 S2N H	C.53
1257710000	KTBL MOPL 4848 S2N H	C.28
1257710000	KTBL MOPL 4848 S2N H	C.29
1257710000	KTBL MOPL 4848 S2N H	C.54
1257710000	KTBL MOPL 4848 S2N H	C.55
1257720000	KTBL MOPL 5535 S2N H	C.30

Order No.	Type	Page
1257720000	KTBL MOPL 5535 S2N H	C.31
1257720000	KTBL MOPL 5535 S2N H	C.56
1257720000	KTBL MOPL 5535 S2N H	C.57
1257740000	KTBL MOPL 6245 S2N H	C.32
1257740000	KTBL MOPL 6245 S2N H	C.33
1257740000	KTBL MOPL 6245 S2N H	C.58
1257740000	KTBL MOPL 6245 S2N H	C.59
1257750000	KTBL MOPL 7650 S2N H	C.34
1257750000	KTBL MOPL 7650 S2N H	C.35
1257750000	KTBL MOPL 7650 S2N H	C.60
1257750000	KTBL MOPL 7650 S2N H	C.61
1257760000	KTBL MOPL 9161 S2N H	C.36
1257760000	KTBL MOPL 9161 S2N H	C.37
1257760000	KTBL MOPL 9161 S2N H	C.62
1257760000	KTBL MOPL 9161 S2N H	C.63
1257770000	KTBL MOPL 9874 S2N H	C.38
1257770000	KTBL MOPL 9874 S2N H	C.64

1270000000

1274150000	GFSC M5x10 TX20 SET	C.17
1274150000	GFSC M5x10 TX20 SET	C.95
1274660000	SDIS SL 0.6X3.5X100	F.11
1274670000	SDIS SL 0.8X4.0X100	F.11
1274680000	SDIS SL 1.0X5.5X125	F.11
1274680000	SDIS SL 1.2X6.5X150	F.11
1274710000	SDIK PH1 SL	F.11
1274720000	SDIK PH2 SL	F.11
1274730000	SDIK P21 SL	F.11
1274740000	SDIK P22 SL	F.11
1274750000	SDI SL S3.5-6.5/PH1/2	F.11
1277220000	PEBZ M10 BR SET	C.120
1277220000	PEBZ M10 BR SET	C.171
1277250000	PEBZ M6 BR SET	C.113
1277250000	PEBZ M6 BR SET	C.171
1279320000	TPSDHA KTB 70X70M3 S2 R	B.36
1279320000	TPSDHA KTB 70X70M3 S2 R	C.64

1280000000

1280980000	KTBL GP 221513 AB S4	B.36
1280910000	KTBL GP 262615 AB S4	B.37
1280970000	KTBL GP 303020 AB S4	B.38
1281130000	KTBL GP 484820 AB S4	B.39
1281360000	KTBL RNHD 221513 R	C.36
1281360000	KTBL RNHD 221513 R	C.17
1281360000	KTBL RNHD 221513 R	C.43
1281370000	KTBL RNHD 262615 R	C.18
1281370000	KTBL RNHD 262615 R	C.44
1281380000	KTBL RNHD 262620 R	C.19
1281380000	KTBL RNHD 262620 R	C.45
1281390000	KTBL RNHD 303015 R	C.20
1281390000	KTBL RNHD 303015 R	C.46
1281400000	KTBL RNHD 303020 R	C.21
1281400000	KTBL RNHD 303020 R	C.47
1281410000	KTBL RNHD 352615 R	C.22
1281410000	KTBL RNHD 352615 R	C.48
1281420000		

Order No.	Type	Page
1309700000	KTBI MOPL 3020 S2N	C.85
1310000000		
1310320000	KTBI MOPL 3030 S2N	C.72
1310320000	KTBI MOPL 3030 S2N	C.73
1310320000	KTBI MOPL 3030 S2N	C.86
1310320000	KTBI MOPL 3030 S2N	C.87
1310330000	KTBI MOPL 4030 S2N	C.74
1310330000	KTBI MOPL 4030 S2N	C.75
1310330000	KTBI MOPL 4030 S2N	C.88
1310330000	KTBI MOPL 4030 S2N	C.89
1310330000	KTBI MOPL 4030 S2N	C.76
1310340000	KTBI MOPL 4040 S2N	C.90
1310350000	KTBI MOPL 5040 S2N	C.77
1310350000	KTBI MOPL 5040 S2N	C.91
1310360000	KTBI MOPL 5050 S2N	C.78
1310360000	KTBI MOPL 5050 S2N	C.92
1310370000	KTBI MOPL 6040 S2N	C.79
1310370000	KTBI MOPL 6040 S2N	C.93
1310380000	KTBI MOPL 6060 S2N	C.80
1310380000	KTBI MOPL 6060 S2N	C.81
1310390000	KTBI MOPL 8060 S2N	C.94
1310390000	KTBI MOPL 8060 S2N	C.95
1310410000	KTBI MOPL 3030 MSZN	C.72
1310410000	KTBI MOPL 3030 MSZN	C.73
1310410000	KTBI MOPL 3030 MSZN	C.86
1310410000	KTBI MOPL 3030 MSZN	C.87
1310420000	KTBI MOPL 4030 MSZN	C.74
1310420000	KTBI MOPL 4030 MSZN	C.75
1310420000	KTBI MOPL 4030 MSZN	C.88
1310420000	KTBI MOPL 4030 MSZN	C.89
1310430000	KTBI MOPL 4040 MSZN	C.76
1310430000	KTBI MOPL 4040 MSZN	C.90
1310440000	KTBI MOPL 5040 MSZN	C.77
1310440000	KTBI MOPL 5040 MSZN	C.91
1310450000	KTBI MOPL 5050 MSZN	C.78
1310450000	KTBI MOPL 5050 MSZN	C.92
1310460000	KTBI MOPL 6040 MSZN	C.79
1310460000	KTBI MOPL 6040 MSZN	C.93
1310470000	KTBI MOPL 6060 MSZN	C.80
1310470000	KTBI MOPL 6060 MSZN	C.94
1310480000	KTBI MOPL 8060 MSZN	C.81
1310480000	KTBI MOPL 8060 MSZN	C.95
1314090000	KTBI RNHD 221513 S4E R	C.17
1314090000	KTBI RNHD 221513 S4E R	C.43
1314100000	KTBI RNHD 262615 S4E R	C.18
1314100000	KTBI RNHD 262615 S4E R	C.44
1314110000	KTBI RNHD 262620 S4E R	C.19
1314110000	KTBI RNHD 262620 S4E R	C.45
1314120000	KTBI RNHD 303015 S4E R	C.20
1314120000	KTBI RNHD 303015 S4E R	C.46
1314130000	KTBI RNHD 303020 S4E R	C.21
1314130000	KTBI RNHD 303020 S4E R	C.47
1314140000	KTBI RNHD 352615 S4E R	C.22
1314140000	KTBI RNHD 352615 S4E R	C.48
1314150000	KTBI RNHD 352620 S4E R	C.23
1314150000	KTBI RNHD 352620 S4E R	C.49
1314170000	KTBI RNHD 403015 S4E R	C.24
1314170000	KTBI RNHD 403015 S4E R	C.50
1314180000	KTBI RNHD 403020 S4E R	C.25
1314180000	KTBI RNHD 403020 S4E R	C.51
1314190000	KTBI RNHD 453815 S4E R	C.26
1314190000	KTBI RNHD 453815 S4E R	C.52
1314200000	KTBI RNHD 453820 S4E R	C.27
1314200000	KTBI RNHD 453820 S4E R	C.53
1314220000	KTBI RNHD 484815 S4E R	C.28
1314220000	KTBI RNHD 484815 S4E R	C.54
1314230000	KTBI RNHD 484820 S4E R	C.29
1314230000	KTBI RNHD 484820 S4E R	C.55
1314240000	KTBI RNHD 553515 S4E R	C.30
1314240000	KTBI RNHD 553515 S4E R	C.56
1314250000	KTBI RNHD 553520 S4E R	C.31
1314250000	KTBI RNHD 553520 S4E R	C.57
1314270000	KTBI RNHD 624515 S4E R	C.32
1314270000	KTBI RNHD 624515 S4E R	C.58
1314280000	KTBI RNHD 624520 S4E R	C.33
1314280000	KTBI RNHD 624520 S4E R	C.59
1314290000	KTBI RNHD 765015 S4E R	C.34
1314290000	KTBI RNHD 765015 S4E R	C.60
1314300000	KTBI RNHD 765020 S4E R	C.35
1314300000	KTBI RNHD 765020 S4E R	C.61
1314320000	KTBI RNHD 916115 S4E R	C.36
1314320000	KTBI RNHD 916115 S4E R	C.62
1314330000	KTBI RNHD 916120 S4E R	C.37
1314330000	KTBI RNHD 916120 S4E R	C.63
1314340000	KTBI RNHD 987420 S4E R	C.38
1314340000	KTBI RNHD 987420 S4E R	C.64
1318330000	SDI SL/PH 1	F.17
1318340000	SDI SL/PH 2	F.17
1318390000	SDQ T15	F.24
1318400000	SDQ T20	F.24
1318410000	SDQ T40	F.24

1320000000

1323880000	SD TO 0.6X3.0	F.20
1328120000	KLIPPON K21 EX RAL7001	C.108
1328120000	KLIPPON K21 EX RAL7001	C.116

Order No.	Type	Page
1328130000	KLIPPON K51 EX RAL7001	C.108
1328130000	KLIPPON K51 EX RAL7001	C.123
1328140000	KLIPPON K61 EX RAL7001	C.108
1328140000	KLIPPON K61 EX RAL7001	C.126
1329630000	KLIPPON K1 EX RAL7001	C.108
1329630000	KLIPPON K1 EX RAL7001	C.113
1329640000	KLIPPON K11 EX RAL7001	C.108
1329640000	KLIPPON K11 EX RAL7001	C.114
1329650000	KLIPPON K2 EX RAL7001	C.108
1329650000	KLIPPON K2 EX RAL7001	C.115
1329670000	KLIPPON K3 EX RAL7001	C.108
1329670000	KLIPPON K3 EX RAL7001	C.117
1329680000	KLIPPON K31 EX RAL7001	C.108
1329680000	KLIPPON K31 EX RAL7001	C.118
1329690000	KLIPPON K32 EX RAL7001	C.108
1329690000	KLIPPON K32 EX RAL7001	C.119
1329700000	KLIPPON K4 EX RAL7001	C.108
1329700000	KLIPPON K4 EX RAL7001	C.120
1329710000	KLIPPON K41 EX RAL7001	C.108
1329710000	KLIPPON K41 EX RAL7001	C.121
1329720000	KLIPPON K5 EX RAL7001	C.108
1329720000	KLIPPON K5 EX RAL7001	C.122
1329730000	KLIPPON K52 EX RAL7001	C.108
1329730000	KLIPPON K52 EX RAL7001	C.124
1329740000	KLIPPON K6 EX RAL7001	C.108
1329740000	KLIPPON K6 EX RAL7001	C.125
1329750000	KLIPPON K7 EX RAL7001	C.108
1329750000	KLIPPON K7 EX RAL7001	C.127
1329770000	KLIPPON K71 EX RAL7001	C.108
1329770000	KLIPPON K71 EX RAL7001	C.128
1340000000		
1344630000	KLIPPON BDX M20X15 S	C.100
1344630000	KLIPPON BDX M20X15 S	D.77
1390000000		
1390910000	KLIPPON COPL 080806	C.134
1390920000	KLIPPON COPL 081106	C.135
1390930000	KLIPPON COPL 081906	C.136
1390940000	KLIPPON COPL 081906	C.137
1390950000	KLIPPON COPL 082306	C.138
1390970000	KLIPPON COPL 121209	C.139
1390980000	KLIPPON COPL 122209	C.140
1390990000	KLIPPON COPL 161609	C.141
1391000000	KLIPPON COPL 162609	C.142
1391010000	KLIPPON COPL 163609	C.143
1391020000	KLIPPON COPL 165609	C.144
1391030000	KLIPPON COPL 252512/16	C.145
1391030000	KLIPPON COPL 252512/16	C.146
1391040000	KLIPPON COPL 254012/16	C.147
1391040000	KLIPPON COPL 254012/16	C.148
1391050000	KLIPPON COPL 256012	C.149
1391070000	KLIPPON COPL 404012	C.150
1460000000		
1460040000	VG M16 EXE MS	B.36
1460040000	VG M16 EXE MS	B.40
1460040000	VG M16 EXE MS	B.46
1460040000	VG M16 EXE MS	B.47
1460040000	VG M16 EXE MS	B.49
1460040000	VG M16 EXE MS	B.58
1460040000	VG M16 EXE MS	D.46
1460050000	VG M20 EXE MS	B.36
1460050000	VG M20 EXE MS	D.46
1460070000	VG M25 EXE MS	B.39
1460070000	VG M25 EXE MS	B.43
1460070000	VG M25 EXE MS	D.46
1460080000	VG M32 EXE MS	B.37
1460080000	VG M32 EXE MS	B.38
1460080000	VG M32 EXE MS	D.46
1460090000	VG M40 EXE MS	B.39
1460090000	VG M40 EXE MS	D.46
1460100000	VG M50 EXE MS	D.46
1460100000	VG M63 EXE MS	D.46
1463720000	VG M25-MS68 EMC 11-20SET	D.15
1463730000	VG M32-MS68 EMC 15-25SET	D.15
1470000000		
1477650000	KSPA M16 BNI	D.70
1477670000	KSPA M20 BNI	D.70
1477680000	KSPA M25 BNI	D.70
1477690000	KSPA M32 BNI	D.70
1477700000	KSPA M40 BNI	D.70
1477710000	KSPA M50 BNI	D.70
1477720000	KSPA M63 BNI	D.70
1477730000	KSPA M75 BNI	D.70
1477740000	KSPMH M16 BSC	D.71
1477750000	KSPMH M20 BSC	D.71
1477760000	KSPMH M25 BSC	D.71
1477780000	KSPMH M32 BSC	D.71
1477790000	KSPMH M40 BSC	D.71
1477800000	KSPMH M50 BSC	D.71
1477810000	KSPMH M63 BSC	D.71
1477820000	KSPMH M16 SSC	B.36
1477820000	KSPMH M16 SSC	B.40

Order No.	Type	Page
1477820000	KSPMH M16 SSC	D.71
1477830000	KSPMH M75 BSC	D.71
1477840000	KSPMH M20 SSC	B.36
1477840000	KSPMH M20 SSC	B.37
1477840000	KSPMH M20 SSC	B.38
1477840000	KSPMH M20 SSC	B.39
1477840000	KSPMH M20 SSC	B.41
1477840000	KSPMH M20 SSC	B.42
1477840000	KSPMH M20 SSC	D.71
1477870000	KSPMH M25 SSC	B.39
1477870000	KSPMH M25 SSC	B.43
1477870000	KSPMH M25 SSC	D.71
1477890000	KSPMH M32 SSC	B.37
1477890000	KSPMH M32 SSC	B.38
1477890000	KSPMH M32 SSC	D.71
1477910000	KSPMH M40 SSC	B.39
1477910000	KSPMH M40 SSC	D.71
1477930000	KSPMH M50 SSC	D.71
1477950000	KSPMH M63 SSC	D.71
1477980000	KSPMH M75 SSC	D.71
1530000000		
1534280000	POK MOPL 0808 MINI	C.134
1534290000	POK MOPL 0811 MINI	C.135
1534310000	POK MOPL 0816 MINI	C.136
1534320000	POK MOPL 0819 MINI	C.137
1534330000	POK MOPL 0823 MINI	C.138
1534340000	POK MOPL 1212 MINI	C.139
1534350000	POK MOPL 1222 MINI	C.140
1534360000	POK MOPL 1616 MINI	C.141
1534370000	POK MOPL 1626 MINI	C.142
1534380000	POK MOPL 1636 MINI	C.143
1534390000	POK MOPL 1656 MINI	C.144
1534410000	POK MOPL 2525 MINI	C.145
1534410000	POK MOPL 2525 MINI	C.146
1534420000	POK MOPL 2540 MINI	C.147
1534420000	POK MOPL 2540 MINI	C.148
1534430000	POK MOPL 2560 MINI	C.149
1534440000	POK MOPL 4040 MINI	C.150
1537070000	KLIPPON CS POK 121209-2	B.20
1537080000	KLIPPON CS POK 121209-2	B.20
1537090000	KLIPPON CS POK 121209-2	B.21
1537100000	KLIPPON CS POK 121209-2	B.21
1537110000	KLIPPON CS POK 121209-4	B.21
1537120000	KLIPPON CS POK 121209-4	B.22
1537130000	KLIPPON CS POK 121209-4	B.22
1537140000	KLIPPON CS POK 122209-2	B.23
1537150000	KLIPPON CS POK 122209-2	B.23
1537170000	KLIPPON CS POK 122209-2	B.23
1537180000	KLIPPON CS POK 122209-4	B.24
1537200000	KLIPPON CS STB 1-1	B.12
1537210000	KLIPPON CS STB 1-1	B.12
1537220000	KLIPPON CS STB 1-1	B.13
1537230000	KLIPPON CS STB 1-1	B.13
1537240000	KLIPPON CS STB 1-2	B.13
1537250000	KLIPPON CS STB 1-2	B.14
1537280000	KLIPPON CS STB 1-2	B.14
1537290000	KLIPPON CS STB 1-2	B.15
1537300000	KLIPPON CS STB 2.1-2	B.15
1537310000	KLIPPON CS STB 2.1-2	B.15
1537320000	KLIPPON CS STB 2.1-2	B.16
1537330000	KLIPPON CS STB 2.1	

Table with 3 columns: Order No., Type, Page. Contains 20 rows of product data.

172000000

Table with 3 columns: Order No., Type, Page. Contains 7 rows of product data.

173000000

Table with 3 columns: Order No., Type, Page. Contains 100 rows of product data.

Table with 3 columns: Order No., Type, Page. Contains 20 rows of product data.

Table with 3 columns: Order No., Type, Page. Contains 100 rows of product data.

Table with 3 columns: Order No., Type, Page. Contains 20 rows of product data.

Table with 3 columns: Order No., Type, Page. Contains 100 rows of product data.

Table with 3 columns: Order No., Type, Page. Contains 20 rows of product data.

Table with 3 columns: Order No., Type, Page. Contains 100 rows of product data.

Order No.	Type	Page
1909320000	KDSU M32 BN 0 SC 2 G32	D.30
1909330000	KDSU M40 BN 0 SC 2 G40	D.30
1909340000	KDSU M50 BN 0 SC 2 G50S	D.30
1909350000	KDSU M50 BN 0 SC 2 G50	D.30
1909360000	KDSU M63 BN 0 SC 2 G63S	D.30
1909370000	KDSU M63 BN 0 SC 2 G63	D.30
1909380000	KSG M20 BN 0 SC 2 G16	D.42
1909400000	KSG M20 BN 0 SC 2 G20S	D.42
1909410000	KSG M20 BN 0 SC 2 G20	D.42
1909420000	KSG M25 BN 0 SC 2 G25	D.42
1909430000	KSG M32 BN 0 SC 2 G32	D.42
1909440000	KSG M40 BN 0 SC 2 G40	D.42
1909450000	KSG M50 BN 0 SC 2 G50S	D.42
1909460000	KSG M50 BN 0 SC 2 G50	D.42
1909470000	KSG M63 BN 0 SC 2 G63S	D.42
1909480000	KSG M63 BN 0 SC 2 G63	D.42
1909490000	VG M12 - MS 1/EMV	D.13
1909500000	VG M16 - MS 1/EMV	D.13
1909510000	VG M20 - MS 1/EMV	D.13
1909520000	VG M25 - MS 1/EMV	D.13
1909530000	VG M32 - MS 1/EMV	D.13
1909540000	VG M40 - MS 1/EMV	D.13
1909550000	VG M50 - MS 1/EMV	D.13
1909560000	VG M63 - MS 1/EMV	D.13
1909660000	VG M12-K67	D.6
1909670000	VG M16-K67 4-8	D.6
1909680000	VG M16-K67 5-10	D.6
1909690000	VG M20-K67 6-12	D.6
1909700000	VG M20-K67 10-14	D.6
1909710000	VG M25-K67	D.6
1909720000	VG M32-K67	D.6
1909730000	VG M40-K67	D.6
1909740000	VG M50-K67	D.6
1909750000	VG M63-K67	D.6
1909760000	VG PG7-K67	D.6
1909770000	VG PG9-K67	D.6
1909780000	VG PG11-K67	D.6
1909790000	VG PG13.5-K67	D.6
1909800000	VG PG16-K67	D.6
1909810000	VG PG21-K67	D.6
1909820000	VG PG29-K67	D.6
1909830000	VG PG36-K67	D.6
1909840000	VG PG42-K67	D.6
1909850000	VG PG48-K67	D.6
1909860000	VG M16-1/K68	D.7
1909870000	VG M25-1/K68	D.7
1909880000	VG M32-1/K68	D.7
1909890000	VG M40-1/K68	D.7
1909910000	VG M16-1/MS68	D.9
1909920000	VG M25-1/MS68	D.9
1909930000	VG M32-1/MS68	D.9
1909940000	VG M40-1/MS68	D.9
1909950000	VG M50-1/MS68	D.9
1909980000	TS15 60 Klippon K1 CSS	B.44
1909990000	TS15 60 Klippon K1 CSS	B.46
1909980000	TS15 60 Klippon K1 CSS	C.113
1909990000	TS15 64 Klippon K11	B.44
1909990000	TS15 64 Klippon K11	B.47
1909990000	TS15 64 Klippon K11	C.114

1910000000

1910010000	TS15 90 Klippon K2 CSS	B.44
1910010000	TS15 90 Klippon K2 CSS	B.48
1910010000	TS15 90 Klippon K2 CSS	C.115
1910020000	TS15 114 Klippon K21 CSS	B.48
1910020000	TS15 114 Klippon K21 CSS	B.49
1910020000	TS15 114 Klippon K21 CSS	C.116
1910030000	TS15 155 Klippon K3 CSS	B.44
1910030000	TS15 155 Klippon K3 CSS	B.50
1910030000	TS15 155 Klippon K3 CSS	C.117
1910040000	TS15 164 Klippon K31 CSS	B.44
1910040000	TS15 164 Klippon K31 CSS	B.51
1910040000	TS15 164 Klippon K31 CSS	C.118
1910060000	TS35 64 Klippon K4K11	B.44
1910060000	TS35 64 Klippon K4K11	B.52
1910060000	TS35 64 Klippon K4K11	C.120
1910070000	TS35 105 Klippon K41/P0K4	B.44
1910070000	TS35 105 Klippon K41/P0K4	B.53
1910070000	TS35 105 Klippon K41/P0K4	C.119
1910070000	TS35 105 Klippon K41/P0K4	B.56
1910070000	TS35 105 Klippon K41/P0K4	C.121
1910080000	TS35/148 Klippon K5 CSS	B.44
1910080000	TS35/148 Klippon K5 CSS	B.54
1910080000	TS35/148 Klippon K5 CSS	C.122
1910090000	TS35/203 Klippon K51POK5	C.123
1910100000	TS35/140 Klippon K52 POK51	B.44
1910100000	TS35/140 Klippon K52 POK51	B.55
1910100000	TS35/140 Klippon K52 POK51	B.62
1910100000	TS35/140 Klippon K52 POK51	B.56
1910100000	TS35/140 Klippon K52 POK51	C.124
1910110000	TS35/172 Klippon K6 CSS	C.125
1910120000	TS35/243 Klippon K61POK6	C.126
1910130000	TS35/324 Klippon K7 CSS	C.127
1910140000	TS35/260 Klippon K71 CSS	C.128
1911380000	KDSU M20 BN 0 NI 2 G16	D.31
1911390000	KDSU M20 BN 0 NI 2 G20S	D.31
1911400000	KDSU M20 BN 0 NI 2 G20	D.31
1911420000	KDSU M25 BN 0 NI 2 G25	D.31

Order No.	Type	Page
1911430000	KDSU M32 BN 0 NI 2 G32	D.31
1911440000	KDSU M40 BN 0 NI 2 G40	D.31
1911450000	KDSU M50 BN 0 NI 2 G50S	D.31
1911460000	KDSU M50 BN 0 NI 2 G50	D.31
1911480000	KDSU M63 BN 0 NI 2 G63S	D.31
1911490000	KDSU M63 BN 0 NI 2 G63	D.31
1911500000	KSG M20 BN 0 NI 2 G16	D.42
1911540000	KSG M20 BN 0 NI 2 G20S	D.42
1911560000	KSG M20 BN 0 NI 2 G20	B.48
1911560000	KSG M20 BN 0 NI 2 G20	D.42
1911570000	KSG M25 BN 0 NI 2 G25	D.42
1911580000	KSG M32 BN 0 NI 2 G32	D.42
1911590000	KSG M40 BN 0 NI 2 G40	D.42
1911600000	KSG M50 BN 0 NI 2 G50S	D.42
1911610000	KSG M50 BN 0 NI 2 G50	D.42
1911620000	KSG M63 BN 0 NI 2 G63S	D.42
1911630000	KSG M63 BN 0 NI 2 G63	D.42
1913320000	GWDR M12NP	D.58

1920000000

1921720000	VG H M20 MS	D.12
1921740000	VG H M25 MS	D.12
1921760000	VG H M32 MS	D.12
1921770000	VG H M40 MS	D.12
1928060000	TS15 68 Klippon POK1 CSS	B.58
1928060000	TS15 68 Klippon POK1 CSS	B.56
1928070000	TS15 98 Klippon POK2 CSS	B.59
1928070000	TS15 98 Klippon POK2 CSS	B.56
1928080000	TS15 147 Klippon POK3 CSS	B.60
1928080000	TS15 147 Klippon POK3 CSS	B.56

1930000000

1937630000	KLIPPON K1 VMQ RAL7001	C.108
1937630000	KLIPPON K1 VMQ RAL7001	C.113
1937720000	KLIPPON K71 VMQ RAL7001	C.108
1937720000	KLIPPON K71 VMQ RAL7001	C.128
1937730000	KLIPPON K61 VMQ RAL7001	C.108
1937730000	KLIPPON K61 VMQ RAL7001	C.126
1937740000	KLIPPON K52 VMQ RAL7001	C.108
1937740000	KLIPPON K52 VMQ RAL7001	C.124
1937750000	KLIPPON K51 VMQ RAL7001	C.108
1937750000	KLIPPON K51 VMQ RAL7001	C.123
1937800000	KLIPPON K41 VMQ RAL7001	C.108
1937800000	KLIPPON K41 VMQ RAL7001	C.121
1937810000	KLIPPON K32 VMQ RAL7001	C.108
1937810000	KLIPPON K32 VMQ RAL7001	C.119
1937820000	KLIPPON K31 VMQ RAL7001	C.108
1937820000	KLIPPON K31 VMQ RAL7001	C.118
1937830000	KLIPPON K21 VMQ RAL7001	C.108
1937830000	KLIPPON K21 VMQ RAL7001	C.116
1937840000	KLIPPON K02 VMQ RAL7001	C.108
1937840000	KLIPPON K02 VMQ RAL7001	C.112
1937850000	KLIPPON K01 VMQ RAL7001	C.108
1937850000	KLIPPON K01 VMQ RAL7001	C.111
1937860000	KLIPPON K5 VMQ RAL7001	C.108
1937860000	KLIPPON K5 VMQ RAL7001	C.122
1937870000	KLIPPON K6 VMQ RAL7001	C.108
1937870000	KLIPPON K6 VMQ RAL7001	C.125
1937880000	KLIPPON K7 VMQ RAL7001	C.108
1937880000	KLIPPON K7 VMQ RAL7001	C.127
1937890000	KLIPPON K4 VMQ RAL7001	C.108
1937890000	KLIPPON K4 VMQ RAL7001	C.120
1937900000	KLIPPON K3 VMQ RAL7001	C.108
1937900000	KLIPPON K3 VMQ RAL7001	C.117
1937910000	KLIPPON K11 VMQ RAL7001	C.108
1937910000	KLIPPON K11 VMQ RAL7001	C.114
1937920000	KLIPPON K0 VMQ RAL7001	C.108
1937920000	KLIPPON K0 VMQ RAL7001	C.110
1937930000	KLIPPON K2 VMQ RAL7001	C.108
1937930000	KLIPPON K2 VMQ RAL7001	C.115
1939540000	KLIPPON K01 VMQ	C.108
1939540000	KLIPPON K01 VMQ	C.111
1939550000	KLIPPON K02 VMQ	C.108
1939550000	KLIPPON K02 VMQ	C.112
1939560000	KLIPPON K1 VMQ	C.108
1939560000	KLIPPON K1 VMQ	C.113
1939570000	KLIPPON K11 VMQ	C.108
1939570000	KLIPPON K11 VMQ	C.114
1939580000	KLIPPON K2 VMQ	C.108
1939580000	KLIPPON K2 VMQ	C.115
1939590000	KLIPPON K21 VMQ	C.108
1939590000	KLIPPON K21 VMQ	C.116
1939600000	KLIPPON K3 VMQ	C.108
1939600000	KLIPPON K3 VMQ	C.117
1939610000	KLIPPON K31 VMQ	C.108
1939610000	KLIPPON K31 VMQ	C.118
1939620000	KLIPPON K32 VMQ	C.108
1939620000	KLIPPON K32 VMQ	C.119
1939630000	KLIPPON K4 VMQ	C.108
1939630000	KLIPPON K4 VMQ	C.120
1939640000	KLIPPON K41 VMQ	C.108
1939640000	KLIPPON K41 VMQ	C.121
1939650000	KLIPPON K5 VMQ	C.108
1939650000	KLIPPON K5 VMQ	C.122
1939660000	KLIPPON K51 VMQ	C.108
1939660000	KLIPPON K51 VMQ	C.123
1939670000	KLIPPON K52 VMQ	C.108

Order No.	Type	Page
1939670000	KLIPPON K52 VMQ	C.124
1939690000	KLIPPON K6 VMQ	C.108
1939690000	KLIPPON K6 VMQ	C.125
1939700000	KLIPPON K61 VMQ	C.108
1939700000	KLIPPON K61 VMQ	C.126
1939710000	KLIPPON K7 VMQ	C.108
1939710000	KLIPPON K7 VMQ	C.127
1939730000	KLIPPON K71 VMQ	C.108
1939730000	KLIPPON K71 VMQ	C.128
1939760000	KLIPPON K0 VMQ	C.108
1939760000	KLIPPON K0 VMQ	C.110

1960000000

1966780000	IE-KOK-V1	F.6
1966790000	IE-KOK-V4	F.6
1966810000	IE-KO-HAT	F.5

2000000000

2008410000	KOK 52 X 91	F.6
2008420000	KOK 92 X 92	F.6

2010000000

2017200000	VG M12 EXE 4-6.5 CR 7J	D.50
2017210000	VG M16 EXE 5-8 CR 7J	D.50
2017220000	VG M16 EXE 6-10 CR 7J	D.50
2017230000	VG M20 EXE 7-12 CR 7J	D.50
2017240000	VG M20 EXE 7-13 CR 7J	D.50
2017250000	VG M20 EXE 11-14 CR 7J	D.50
2017260000	VG M25 EXE 12-17 CR 7J	D.50
2017280000	VG M25 EXE 14-18 CR 7J	D.50
2017290000	VG M32 EXE 16-21 CR 7J	D.50
2017300000	VG M32 EXE 19-25 CR 7J	D.50
2017310000	VG M40 EXE 20-28 CR 7J	D.50
2017320000	VG M40 EXE 23-32 CR 7J	D.50
2017340000	VG M50 EXE 31-38 CR 7J	D.50
2017350000	VG M63 EXE 35-44 CR 7J	D.50
2017370000	VG M12 EXE 4-6.5 SI 7J	D.51
2017380000	VG M16 EXE 5-8 SI 7J	B.46
2017380000	VG M16 EXE 5-8 SI 7J	B.47
2017380000	VG M16 EXE 5-8 SI 7J	B.49
2017380000	VG M16 EXE 5-8 SI 7J	B.58
2017380000	VG M16 EXE 5-8 SI 7J	D.51
2017390000	VG M16 EXE 6-10 SI 7J	B.46
2017390000	VG M16 EXE 6-10 SI 7J	B.47
2017390000	VG M16 EXE 6-10 SI 7J	B.49
2017390000	VG M16 EXE 6-10 SI 7J	B.58
2017390000	VG M16 EXE 6-10 SI 7J	D.51
2017430000	VG M20 EXE 7-12 SI 7J	D.51
2017500000	VG M20 EXE 7-13 SI 7J	B.46
2017500000	VG M20 EXE 7-13 SI 7J	D.51
2017510000	VG M20 EXE 11-14 SI 7J	B.46
2017510000	VG M20 EXE 11-14 SI 7J	D.51
2017520000	VG M25 EXE 12-17 SI 7J	B.53
2017520000	VG M25 EXE 12-17 SI 7J	D.51
2017550000	VG M25 EXE 14-18 SI 7J	B.53
2017550000	VG M25 EXE 14-18 SI 7J	D.51
2017560000	VG M32 EXE 16-21 SI 7J	D.51
2017590000	VG M32 EXE 19-25 SI 7J	D.51
2017610000	VG M40 EXE 20-28 SI 7J	D.51
2017630000	VG M40 EXE 23-32 SI 7J	D.51
2017650000	VG M50 EXE 31-38 SI 7J	D.51
2017660000	VG M63 EXE 35-44 SI 7J	D.51
2017670000	VG M12 EXI 4-6.5 CR 7J	D.50
2017680000	VG M16 EXI 5-8 CR 7J	D.50
2017690000	VG M16 EXI 6-10 CR 7J	D.50
2017700000	VG M20 EXI 7-12 CR 7J	D.50
2017710000	VG M20 EXI 7-13 CR 7J	D.50
2017720000	VG M20 EXI 11-14 CR 7J	D.50
2017730000	VG M25 EXI 12-17 CR 7J	D.50
2017740000	VG M25 EXI 14-18 CR 7J	D.50
2017750000	VG M32 EXI 16-21 CR 7J	D.50
2017760000	VG M40 EXI 20-28 CR 7J	D.50
2017780000	VG M40 EXI 23-32 CR 7J	D.50
2017790000	VG M50 EXI 31-38 CR 7J	D.50
2017800000	VG M63 EXI 35-44 CR 7J	D.50
2017810000	VG M12 EXI 4-6.5 SI 7J	D.51
2017820000	VG M16 EXI 5-8 SI 7J	D.51
201783		

Order No.	Type	Page
2023790000	KTB GP 553520 CD S4 PE	C.31
2023790000	KTB GP 553520 CD S4 PE	C.57
2023820000	KTB GP 624515 AB S4 PE	C.32
2023820000	KTB GP 624515 AB S4 PE	C.58
2023870000	KTB GP 624515 CD S4 PE	C.32
2023870000	KTB GP 624515 CD S4 PE	C.58
2023880000	KTB GP 624520 AB S4 PE	C.33
2023880000	KTB GP 624520 AB S4 PE	C.59
2023930000	KTB GP 624520 CD S4 PE	C.33
2023930000	KTB GP 624520 CD S4 PE	C.59
2024040000	KTB GP 765015 AB S4 PE	C.34
2024040000	KTB GP 765015 AB S4 PE	C.60
2024090000	KTB GP 765015 CD S4 PE	C.34
2024090000	KTB GP 765015 CD S4 PE	C.60
2024100000	KTB GP 765020 AB S4 PE	C.35
2024100000	KTB GP 765020 AB S4 PE	C.61
2024140000	KTB GP 765020 CD S4 PE	C.35
2024140000	KTB GP 765020 CD S4 PE	C.61
2024150000	KTB GP 916115 AB S4 PE	C.36
2024150000	KTB GP 916115 AB S4 PE	C.62
2024300000	KTB GP 916115 CD S4 PE	C.62
2024470000	KTB GP 916120 AB S4 PE	C.37
2024470000	KTB GP 916120 AB S4 PE	C.63
2024490000	KTB GP 916120 CD S4 PE	C.37
2024490000	KTB GP 916120 CD S4 PE	C.63
2024560000	KTB GP 987420 AB S4 PE	C.38
2024560000	KTB GP 987420 AB S4 PE	C.64
2024590000	KTB GP 987420 CD S4 PE	C.38
2024590000	KTB GP 987420 CD S4 PE	C.64

2060000000

2066710000	VP M12 EX SI 7J	D.72
2066720000	VP M16 EX SI 7J	B.46
2066720000	VP M16 EX SI 7J	B.47
2066720000	VP M16 EX SI 7J	B.49
2066720000	VP M16 EX SI 7J	B.58
2066720000	VP M16 EX SI 7J	D.72
2066730000	VP M20 EX SI 7J	B.46
2066730000	VP M20 EX SI 7J	D.72
2066740000	VP M25 EX SI 7J	B.53
2066740000	VP M25 EX SI 7J	D.72
2066750000	VP M32 EX SI 7J	D.72
2066760000	VP M40 EX SI 7J	D.72
2066770000	VP M50 EX SI 7J	D.72
2066940000	VP M63 EX SI 7J	D.72

2430000000

2435070000	VG M12 EMV 4 MS 3-6.5	D.14
2435140000	VG M16 EMV 4 MS 5-10	D.14
2435150000	VG M20 EMV 4 MS 6-12	D.14
2435160000	VG M20 EMV 4 MS 8-14	D.14
2435170000	VG M25 EMV 4 MS 10-18	D.14
2435180000	VG M32 EMV 4 MS 16-25	D.14
2435190000	VG M40 EMV 4 MS 22-32	D.14
2435200000	VG M50 EMV 4 MS 30-38	D.14
2435210000	VG M63 EMV 4 MS 34-44	D.14

2470000000

2473930000	KLIPPON QL KEY	C.71
2473930000	KLIPPON QL KEY	C.72
2473930000	KLIPPON QL KEY	C.73
2473930000	KLIPPON QL KEY	C.74
2473930000	KLIPPON QL KEY	C.75
2473930000	KLIPPON QL KEY	C.76
2473930000	KLIPPON QL KEY	C.77
2473930000	KLIPPON QL KEY	C.78
2473930000	KLIPPON QL KEY	C.79
2473930000	KLIPPON QL KEY	C.80
2473930000	KLIPPON QL KEY	C.81
2475490000	PECD WIRE 6/200/D6 SET	B.36
2475490000	PECD WIRE 6/200/D6 SET	B.37
2475490000	PECD WIRE 6/200/D6 SET	B.38
2475490000	PECD WIRE 6/200/D6 SET	B.39
2475490000	PECD WIRE 6/200/D6 SET	B.40
2475490000	PECD WIRE 6/200/D6 SET	B.41
2475490000	PECD WIRE 6/200/D6 SET	B.42
2475490000	PECD WIRE 6/200/D6 SET	B.43

3010000000

3018950000	MP TBF 30/19	C.154
------------	--------------	-------

3070000000

3073000000	MOPL K11 STAHL	C.114
3073020000	MOPL K21 STAHL	C.116
3073040000	MOPL K31 STAHL	C.118
3073050000	MOPL K32 STAHL	C.119
3073060000	MOPL K4 STAHL	C.120
3073070000	MOPL K41 STAHL	C.121
3073080000	MOPL K5 STAHL	C.122
3073090000	MOPL K51 STAHL	C.123
3073100000	MOPL K52 STAHL	C.124
3073110000	MOPL K6 STAHL	C.125
3073120000	MOPL K61 STAHL	C.126

Order No.	Type	Page
3073130000	MOPL K7 STAHL	C.127
3073140000	MOPL K71 STAHL	C.128

3890000000

3896100000	SP M6 15 MSZN	C.71
3896200000	SP M6 20 MSZN	C.95
3896300000	SP M6 30 MSZN	C.71
3896300000	SP M6 30 MSZN	C.95

7900000000

7906080000	BK 4/E	B.44
------------	--------	------

8000000000

8000003444	KL SET 12W4 S	B.44
8000003444	KL SET 12W4 S	B.53
8000003444	KL SET 12W4 S	B.61
8000003444	KL SET 12W4 S	B.56
8000003446	KLIPPON K41 2M25AB CSS	B.44
8000003446	KLIPPON K41 2M25AB CSS	B.53
8000003447	KLIPPON K41 3M20AB CSS	B.44
8000003447	KLIPPON K41 3M20AB CSS	B.53
8000003448	KLIPPON POK4 3M20AB CSS	B.56
8000003448	KLIPPON POK4 3M20AB CSS	B.56
8000003589	KLIPPON K41 M25WCCS EX	B.44
8000003589	KLIPPON K41 M25WCCS EX	B.53
8000003591	KLIPPON K41 M20WCCS EX	B.44
8000003591	KLIPPON K41 M20WCCS EX	B.53
8000003593	KLIPPON POK4 M20WCCS EX	B.61
8000003593	KLIPPON POK4 M20WCCS EX	B.56
8000003594	KLIPPON POK4 M20ZCSS EX	B.61
8000003594	KLIPPON POK4 M20ZCSS EX	B.56
8000004129	MOPL SET BK4 S	B.46
8000004130	KL SET 52Z 5 S	B.44
8000004130	KL SET 52Z 5 S	B.47
8000004132	MOPL SET BK6 S	B.48
8000004133	KL SET 14Z2 5 S	B.44
8000004133	KL SET 14Z2 5 S	B.49
8000004134	KL SET 13A4 S	B.44
8000004134	KL SET 13A4 S	B.49
8000004135	MOPL SET BK12 S	B.50
8000004136	KL SET 24Z2 5 S	B.44
8000004136	KL SET 24Z2 5 S	B.51
8000004137	KL SET 21A4 S	B.44
8000004137	KL SET 21A4 S	B.51
8000004138	KL SET 5W4 S	B.44
8000004138	KL SET 5W4 S	B.52
8000004139	KL SET 4Z4 S	B.44
8000004139	KL SET 4Z4 S	B.52
8000004140	KL SET 18W4 S	B.44
8000004140	KL SET 18W4 S	B.44
8000004142	KL SET 32W4 S	B.54
8000004142	KL SET 32W4 S	B.55
8000004142	KL SET 32W4 S	B.62
8000004142	KL SET 32W4 S	B.56
8000004143	KL SET 38Z2 5 S	B.44
8000004143	KL SET 38Z2 5 S	B.55
8000004143	KL SET 38Z2 5 S	B.62
8000004143	KL SET 38Z2 5 S	B.56
8000004144	KL SET 6A4 S	B.58
8000004144	KL SET 6A4 S	B.56
8000004145	KL SET 10A4 S	B.59
8000004145	KL SET 10A4 S	B.56
8000004146	KL SET 18A4 S	B.60
8000004146	KL SET 18A4 S	B.56
8000004147	KLIPPON K1 1,5M16AB CSS	B.44
8000004147	KLIPPON K1 1,5M16AB CSS	B.46
8000004148	KLIPPON K1 1M20AB CSS	B.44
8000004148	KLIPPON K1 1M20AB CSS	B.46
8000004149	KLIPPON K11 2M16AB CSS	B.44
8000004149	KLIPPON K11 2M16AB CSS	B.47
8000004150	KLIPPON K11 2M20AB CSS	B.44
8000004150	KLIPPON K11 2M20AB CSS	B.47
8000004151	KLIPPON K2 2M20AB CSS	B.44
8000004151	KLIPPON K2 2M20AB CSS	B.48
8000004152	KLIPPON K21 3M16AB CSS	B.44
8000004152	KLIPPON K21 3M16AB CSS	B.49
8000004153	KLIPPON K3 4M20AB CSS	B.50
8000004153	KLIPPON K3 4M20AB CSS	B.50
8000004154	KLIPPON K31 4M20AB CSS	B.44
8000004154	KLIPPON K31 4M20AB CSS	B.51
8000004155	KLIPPON K4 2M20AB CSS	B.44
8000004155	KLIPPON K4 2M20AB CSS	B.52
8000004158	KLIPPON K5 4M20AB CSS	B.44
8000004158	KLIPPON K5 4M20AB CSS	B.54
8000004160	KLIPPON POK1 2M16AB CSS	B.58
8000004160	KLIPPON POK1 2M16AB CSS	B.56
8000004161	KLIPPON POK2 2M20AB CSS	B.59
8000004161	KLIPPON POK2 2M20AB CSS	B.56
8000004162	KLIPPON POK3 4M20AB CSS	B.60
8000004162	KLIPPON POK3 4M20AB CSS	B.56
8000004164	KLIPPON POK51 4M20ABCSS	B.62
8000004184	KLIPPON K11 3M16AB CSS	B.44
8000004202	KLIPPON K1 M16BCSS EX	B.44
8000004202	KLIPPON K1 M16BCSS EX	B.46
8000004203	KLIPPON K1 M20BCSS EX	B.44
8000004203	KLIPPON K1 M20BCSS EX	B.46

Order No.	Type	Page
8000004204	KLIPPON K11 M16ZCSS EX	B.44
8000004204	KLIPPON K11 M16ZCSS EX	B.47
8000004207	KLIPPON K11 M16ACSS EX	B.44
8000004207	KLIPPON K11 M16ACSS EX	B.47
8000004208	KLIPPON K11 M20ZCSS EX	B.44
8000004208	KLIPPON K11 M20ZCSS EX	B.47
8000004209	KLIPPON K11 M20ACSS EX	B.44
8000004209	KLIPPON K11 M20ACSS EX	B.47
8000004210	KLIPPON K2 M20BCSS EX	B.44
8000004210	KLIPPON K2 M20BCSS EX	B.48
8000004211	KLIPPON K2 M16ZCSS EX	B.44
8000004211	KLIPPON K2 M16ZCSS EX	B.49
8000004212	KLIPPON K2 M16ACSS EX	B.44
8000004212	KLIPPON K2 M16ACSS EX	B.49
8000004213	KLIPPON K3 M20BCSS EX	B.44
8000004213	KLIPPON K3 M20BCSS EX	B.50
8000004214	KLIPPON K3 M20ZCSS EX	B.44
8000004214	KLIPPON K3 M20ZCSS EX	B.51
8000004215	KLIPPON K3 M20ACSS EX	B.51
8000004217	KLIPPON K4 M20ZCSS EX	B.52
8000004218	KLIPPON K5 4M20WCCS EX	B.44
8000004218	KLIPPON K5 4M20WCCS EX	B.54
8000004219	KLIPPON K5 4M20ZCSS EX	B.44
8000004219	KLIPPON K5 4M20ZCSS EX	B.54
8000004220	KLIPPON K52 M20WCCS EX	B.44
8000004220	KLIPPON K52 M20WCCS EX	B.55
8000004221	KLIPPON K52 M20ZCSS EX	B.44
8000004221	KLIPPON K52 M20ZCSS EX	B.55
8000004222	KLIPPON POK1 M16BCSS EX	B.58
8000004222	KLIPPON POK1 M16BCSS EX	B.56
8000004223	KLIPPON POK1 M16ACSS EX	B.56
8000004224	KLIPPON POK2 M20BCSS EX	B.56
8000004225	KLIPPON POK2 M20ACSS EX	B.59
8000004225	KLIPPON POK2 M20ACSS EX	B.56
8000004226	KLIPPON POK3 M20BCSS EX	B.60
8000004226	KLIPPON POK3 M20BCSS EX	B.56
8000004228	KLIPPON POK3 M20ACSS EX	B.60
8000004228	KLIPPON POK3 M20ACSS EX	B.56
8000004229	KLIPPON POK51 M20WCCS E	B.62
8000004229	KLIPPON POK51 M20WCCS E	B.56
8000004230	KLIPPON POK51 M20ZCSS E	B.62
8000004230	KLIPPON POK51 M20ZCSS E	B.56
8000004365	KL SET KLIPPON POK1 BK4	B.58
8000004366	KL SET KLIPPON POK2 BK6	B.59
8000004367	KL SET KLIPPON POK3BK12	B.60
8000004497	MOPL K3 BKVARIO SET	B.44
8000004497	MOPL K3 BKVARIO SET	B.50
8000028394	STB 1 Exia	B.34
8000028394	STB 1 Exia	B.40
8000028395	STB 2 Exe	B.34
8000028395	STB 2 Exe	B.41
8000028396	STB 3 Exe	B.34
8000028396	STB 3 Exe	B.42
8000028397	STB 4 Exe	B.34
8000028397	STB 4 Exe	B.43
8000028398	KTB MH 221513 Exia	B.34
8000028398	KTB MH 221513 Exia	B.36
8000028399	KTB MH 262615 Exia	B.34
8000028399	KTB MH 262615 Exia	B.37
8000028400	KTB QL 303020 Exe	B.34
8000028400	KTB QL 303020 Exe	B.38
8000028401	KTB QL 484820 Exe	B.34
8000028401	KTB QL 484820 Exe	B.39

9000000000

9008320000	SDS 0.5X3.0X80	F.19
9008330000	SDS 0.6X3.5X100	F.19
9008340000	SDS 0.8X4.0X100	F.19
9008350000	SDS 1.0X5.5X150	F.19
9008370000	SDIS 0.4X2.5X75	F.17
9008380000	SDIS 0.5X3.0X100	F.17
9008390000	SDIS 0.6X3.5X100	F.17
9008400000	SDIS 0.8X4.0X100	F.17
9008410000	SDIS 1.0X5.5X125	F.17
9008420000	SDIS 1.2X6.5X150	F.17
9008430000	SDIS 1.6X8.0X175	F.17
9008450000	SDIZ 0.6X3.5X100	F.17
9008460000	SDIZ 0.8X4.0X100	F.17
9008470000	SDK PH0	F.19
9008480000	SDK PH1	F.19
9008490000	SDK PH2	F.19
9008500000	SDK PH3	F.19
9008510000	SDK PZ1	F.19
9008520000	SDK PZ2	F.19
9008530000	SDK PZ3	F.19
9008540000	SDIK PH0</	

Order No.	Type	Page
9205700000	SDIS 1.0X4.5X175	F.17
9205710000	SDIS 1.0X5.5X175	F.17

9500000000

9500950000	MP TBF 56/30	C.156
9500960000	MP TBF 49/30	C.156
9502720000	MP TBF 19/15	C.154
9502730000	MP TBF 30/30	C.155
9502740000	MP TBF 37/30	C.155
9502750000	MP TBF 60/30	C.157
9502800000	TBF 49/30/18 7035	C.152
9502800000	TBF 49/30/18 7035	C.156
9502810000	TBF 56/30/18 7035	C.152
9502810000	TBF 56/30/18 7035	C.156
9502820000	TBF 60/37/18 7035	C.152
9502820000	TBF 60/37/18 7035	C.158
9502830000	TBF 60/60/18 7035	C.152
9502830000	TBF 60/60/18 7035	C.158
9502840000	TBF 49/30/21 trsp	C.152
9502840000	TBF 49/30/21 trsp	C.156
9502850000	TBF 56/30/21 trsp	C.152
9502850000	TBF 56/30/21 trsp	C.156
9502860000	TBF 60/37/21 trsp	C.152
9502860000	TBF 60/37/21 trsp	C.158
9502870000	TBF 60/60/21 trsp	C.152
9502870000	TBF 60/60/21 trsp	C.158
9502910000	MP TBF 60/37	C.158
9502920000	MP TBF 60/60	C.158

9510000000

9510570000	POK MOPL 0808	C.134
9510580000	POK MOPL 0811	C.135
9510590000	POK MOPL 1212	C.139
9510600000	POK MOPL 1222	C.140
9510610000	POK MOPL 1616	C.141
9510620000	POK MOPL 1626	C.142
9510630000	POK MOPL 1636	C.143
9510640000	POK MOPL 2525	C.145
9510640000	POK MOPL 2525	C.146
9510650000	POK MOPL 2540	C.147
9510650000	POK MOPL 2540	C.148
9510660000	POK MOPL 2560	C.149
9510670000	POK MOPL 4040	C.150
9510680000	POK MOPL 0816	C.136
9510690000	POK MOPL 0819	C.137
9510710000	POK MOPL 1656	C.144
9510900000	MF POK small	C.134
9510900000	MF POK small	C.135
9510900000	MF POK small	C.136
9510900000	MF POK small	C.137
9510900000	MF POK small	C.138
9510910000	MF POK big	C.139
9510910000	MF POK big	C.150

9520000000

9526840000	KLIPPON K1 EX	C.108
9526840000	KLIPPON K1 EX	C.113
9526850000	KLIPPON K11 EX	C.108
9526850000	KLIPPON K11 EX	C.114
9526860000	KLIPPON K2 EX	C.108
9526860000	KLIPPON K2 EX	C.115
9526870000	KLIPPON K21 EX	C.108
9526870000	KLIPPON K21 EX	C.116
9526880000	KLIPPON K3 EX	C.108
9526880000	KLIPPON K3 EX	C.117
9526890000	KLIPPON K31 EX	C.108
9526890000	KLIPPON K31 EX	C.118
9526900000	KLIPPON K32 EX	C.108
9526900000	KLIPPON K32 EX	C.119
9526910000	KLIPPON K4 EX	C.108
9526910000	KLIPPON K4 EX	C.120
9526920000	KLIPPON K41 EX	C.108
9526920000	KLIPPON K41 EX	C.121
9526930000	KLIPPON K5 EX	C.108
9526930000	KLIPPON K5 EX	C.122
9526940000	KLIPPON K51 EX	C.108
9526940000	KLIPPON K51 EX	C.123
9526950000	KLIPPON K52 EX	C.108
9526950000	KLIPPON K52 EX	C.124
9526960000	KLIPPON K6 EX	C.108
9526960000	KLIPPON K6 EX	C.125
9526970000	KLIPPON K61 EX	C.108
9526970000	KLIPPON K61 EX	C.126
9526980000	KLIPPON K7 EX	C.108
9526980000	KLIPPON K7 EX	C.127
9526990000	KLIPPON K71 EX	C.108
9526990000	KLIPPON K71 EX	C.128
9527590000	KLIPPON K MF KIT 25	C.121
9527590000	KLIPPON K MF KIT 25	C.123
9527590000	KLIPPON K MF KIT 25	C.124
9527590000	KLIPPON K MF KIT 25	C.126
9527590000	KLIPPON K MF KIT 25	C.128
9529080000	KLIPPON K MF KIT 16	C.122
9529080000	KLIPPON K MF KIT 16	C.125
9529080000	KLIPPON K MF KIT 16	C.127
9529090000	KLIPPON K0 RAL7001	C.108

Order No.	Type	Page
9529090000	KLIPPON K0 RAL7001	C.110
9529100000	KLIPPON K01 RAL7001	C.108
9529100000	KLIPPON K01 RAL7001	C.111
9529110000	KLIPPON K02 RAL7001	C.108
9529110000	KLIPPON K02 RAL7001	C.112
9529120000	KLIPPON K1 RAL7001	C.108
9529120000	KLIPPON K1 RAL7001	C.113
9529130000	KLIPPON K11 RAL7001	C.108
9529130000	KLIPPON K11 RAL7001	C.114
9529140000	KLIPPON K2 RAL7001	C.108
9529140000	KLIPPON K2 RAL7001	C.115
9529150000	KLIPPON K21 RAL7001	C.108
9529150000	KLIPPON K21 RAL7001	C.116
9529160000	KLIPPON K3 RAL7001	C.108
9529160000	KLIPPON K3 RAL7001	C.117
9529170000	KLIPPON K31 RAL7001	C.108
9529170000	KLIPPON K31 RAL7001	C.118
9529180000	KLIPPON K32 RAL7001	C.108
9529180000	KLIPPON K32 RAL7001	C.119
9529190000	KLIPPON K4 RAL7001	C.108
9529190000	KLIPPON K4 RAL7001	C.120
9529200000	KLIPPON K41 RAL7001	C.108
9529200000	KLIPPON K41 RAL7001	C.121
9529210000	KLIPPON K5 RAL7001	C.108
9529210000	KLIPPON K5 RAL7001	C.122
9529220000	KLIPPON K51 RAL7001	C.108
9529220000	KLIPPON K51 RAL7001	C.123
9529230000	KLIPPON K52 RAL7001	C.108
9529230000	KLIPPON K52 RAL7001	C.124
9529240000	KLIPPON K6 RAL7001	C.108
9529240000	KLIPPON K6 RAL7001	C.125
9529250000	KLIPPON K61 RAL7001	C.108
9529250000	KLIPPON K61 RAL7001	C.126
9529260000	KLIPPON K7 RAL7001	C.108
9529260000	KLIPPON K7 RAL7001	C.127
9529270000	KLIPPON K71 RAL7001	C.108
9529270000	KLIPPON K71 RAL7001	C.128

9530000000

9535170000	MPC 07/12/07 7035	C.160
9535170000	MPC 07/12/07 7035	C.162
9535180000	MPC 07/12/07 trsp	C.160
9535180000	MPC 07/12/07 trsp	C.162
9535190000	MPC 07/12/10 7035	C.160
9535200000	MPC 07/12/10 trsp	C.160
9535210000	MPC 07/12/12 7035	C.160
9535210000	MPC 07/12/12 7035	C.162
9535220000	MPC 07/12/12 trsp	C.160
9535220000	MPC 07/12/12 trsp	C.162
9535230000	MPC 12/12/07 7035	C.160
9535230000	MPC 12/12/07 7035	C.163
9535240000	MPC 12/12/07 trsp	C.160
9535240000	MPC 12/12/07 trsp	C.163
9535250000	MPC 12/12/10 7035	C.160
9535260000	MPC 12/12/10 trsp	C.160
9535270000	MPC 12/12/12 7035	C.160
9535280000	MPC 12/12/12 trsp	C.160
9535290000	MPC 12/17/07 7035	C.160
9535290000	MPC 12/17/07 7035	C.163
9535300000	MPC 12/17/07 trsp	C.160
9535300000	MPC 12/17/07 trsp	C.163
9535310000	MPC 12/17/10 7035	C.160
9535310000	MPC 12/17/10 7035	C.164
9535320000	MPC 12/17/10 trsp	C.160
9535320000	MPC 12/17/10 trsp	C.164
9535330000	MPC 12/17/12 7035	C.160
9535330000	MPC 12/17/12 7035	C.164
9535340000	MPC 12/17/12 trsp	C.160
9535340000	MPC 12/17/12 trsp	C.164
9535350000	MPC 12/17/15 7035	C.160
9535360000	MPC 12/17/15 trsp	C.160
9535370000	MPC 17/17/07 7035	C.160
9535370000	MPC 17/17/07 7035	C.165
9535380000	MPC 17/17/07 trsp	C.160
9535380000	MPC 17/17/07 trsp	C.165
9535390000	MPC 17/17/10 7035	C.160
9535400000	MPC 17/17/10 trsp	C.160
9535410000	MPC 17/17/12 7035	C.160
9535430000	MPC 17/17/15 7035	C.160
9535430000	MPC 17/17/15 7035	C.166
9535440000	MPC 17/17/15 trsp	C.160
9535440000	MPC 17/17/15 trsp	C.166
9535450000	MPC 17/25/07 7035	C.160
9535470000	MPC 17/25/10 7035	C.160
9535470000	MPC 17/25/10 7035	C.166
9535480000	MPC 17/25/10 trsp	C.160
9535480000	MPC 17/25/10 trsp	C.166
9535490000	MPC 17/25/15 7035	C.160
9535500000	MPC 17/25/15 trsp	C.160
9535540000	MP MPC 07/12	C.162
9535540000	MP MPC 07/12	C.162
9535550000	MP MPC 12/12	C.163
9535560000	MP MPC 12/17	C.163
9535560000	MP MPC 12/17	C.164
9535560000	MP MPC 12/17	C.164
9535570000	MP MPC 17/17	C.165
9535570000	MP MPC 17/17	C.166
9535580000	MP MPC 17/25	C.166

Order No.	Type	Page
9535590000	HG MPC	C.162
9535590000	HG MPC	C.162
9535590000	HG MPC	C.163
9535590000	HG MPC	C.163
9535590000	HG MPC	C.164
9535590000	HG MPC	C.164
9535590000	HG MPC	C.165
9535590000	HG MPC	C.165
9535590000	HG MPC	C.166
9535590000	HG MPC	C.166
9535600000	MF MPC	C.162
9535600000	MF MPC	C.162
9535600000	MF MPC	C.163
9535600000	MF MPC	C.163
9535600000	MF MPC	C.164
9535600000	MF MPC	C.164
9535600000	MF MPC	C.165
9535600000	MF MPC	C.165
9535600000	MF MPC	C.166
9535600000	MF MPC	C.166
9535600000	FPC 20/20/13 trsp	C.168
9535680000	FPC 20/20/13 trsp	C.169
9535690000	FPC 20/20/13 7035	C.168
9535690000	FPC 20/20/13 7035	C.169
9535700000	FPC 20/30/13 trsp	C.168
9535700000	FPC 20/30/13 trsp	C.169
9535710000	FPC 20/30/13 7035	C.168
9535710000	FPC 20/30/13 7035	C.169
9535720000	FPC 20/40/13 trsp	C.168
9535720000	FPC 20/40/13 trsp	C.170
9535730000	FPC 20/40/13 7035	C.168
9535730000	FPC 20/40/13 7035	C.170
9535740000	FPC 30/30/13 trsp	C.168
9535740000	FPC 30/30/13 trsp	C.170
9535750000	FPC 30/30/13 7035	C.168
9535750000	FPC 30/30/13 7035	C.170
9535760000	FPC 30/40/13 trsp	C.168
9535760000	FPC 30/40/13 trsp	C.171
9535770000	FPC 30/40/13 7035	C.168
9535770000	FPC 30/40/13 7035	C.171
9535810000	FPC 40/60/13 7035	C.168
9535810000	FPC 40/60/13 7035	C.171
9535820000	FPC 40/60/13 trsp	C.168
9535820000	FPC 40/60/13 trsp	C.171
9535920000	MP FPC 20/20	C.169
9535930000	MP FPC 20/30	C.169
9535940000	MP FPC 20/40	C.170
9535950000	MP FPC 30/30	C.170
9535960000	MP FPC 30/40	C.171
9535980000	MP FPC 40/60	C.171
9535990000	HG FPC	C.169
9535990000	HG FPC	C.169
9535990000	HG FPC	C.170
9535990000	HG FPC	C.170
9535990000	HG FPC	C.171
9535990000	HG FPC	C.171
9536040000	MF FPC	C.169
9536040000	MF FPC	C.169
9536040000	MF FPC	C.170
9536040000	MF FPC	C.170
9536040000	MF FPC	C.171

9910000000

9918130000	CROSS-KEY UNIVERSAL	F.25
9918140000	CROSS-KEY UNIVERSAL S	F.25
9918150000	CROSS-KEY MASTER	F.25
9918370000	DMS MANUELL 0,5-1,7	F.13
9918380000	DMS MANUELL 2,0-8,0	F.13
9918390000	DMSI MANUELL 0,5-1,7	F.14
9918400000	DMSI MANUELL 2,0-8,0	F.14
9918520000	WK S 0,4x2,5	F.13
9918530000	WK S 0,5x3,0	F.13
9918540000	WK S 0,6x3,5	F.13
9918550000	WK S 0,8x4,0	F.13
9918560000	WK S 1,0x5,5	F.13
9918570000	WK K PH0	F.13
9918580000	WK K PH1	F.13
9918590000	WK K PH2	F.13
9918600000	WK K PZ0	F.13
9918610000	WK K PZ1	F.13
9918620000	WK K PZ2	F.13

Addresses worldwide

Let's connect.

- AE United Arab Emirates**
Weidmüller Middle East FZE
Warehouse Q3-79
SAIF-Zone
P.O. BOX 8591
Sharjah
Tel. +971 65572723
Fax +971 65572724
wme.info@weidmuller.com
- AF Afghanistan**
Representative Office

AF 11050 Beograd
Tel. +381 11 2885 274
Fax +381 11 2885 274
zoran.rabrenovic@weidmuller.com
- AO Angola**
Please contact
Phambili Interface
South Africa
- AR Argentina**
CPI SA
Bauness 2660
C1431DOF Buenos Aires
Tel. +54 11 4523 8008
Fax +54 11 4522 0546
info@cpi.com.ar
www.cpi.com.ar
- AT Austria**
Weidmüller GmbH
IZ NOE Süd, Str 2b, Obj M59,
2355 Wiener Neudorf
Tel. +43 2236 67080
Fax +43 2236 6708-899
office.at@weidmuller.com
www.weidmuller.com
- AU Australia**
Weidmüller Pty. Ltd.
PO BOX 6944
Huntingwood 2148
Huntingwood Drive 43
Huntingwood NSW 2148
Tel. +61 2 9671 9999
Fax +61 2 9671 9911
info@weidmuller.com.au
www.weidmuller.com.au
- AZ Azerbaijan**
Representative Office
Weidmüller Interface
Demirchi Tower, 4th floor
37, Khojali ave.
AZ 1025 Baku
Tel. +994 12 488 80 36
Fax +994 12 488 80 37
aliyar.hashimi@weidmuller.com
- BA Bosnia and Herzegovina**
Please contact
our Representative Office
Weidmüller Interface GmbH
& Co. KG
Serbia
or
BH ES Elektrosistem d.o.o.

78000 Banja Luka
Tel. +387 51 420 340
Fax
elisist@inecco.net

BIG electric d.o.o.
Mladena Stojanovića 117A
78000 Banja Luka
Tel. +387 51926277
Fax +387 51926277
bigelectric@blic.net
www.bigelectric.ba
- BE Belgium**
Weidmüller Benelux B. V.
Mechelsesteenweg 519 bus
6 en 7
1930 Nossegem
Tel. +32 2 752 40 70
Fax +32 2 751 36 06
info@weidmuller.be
www.weidmuller.be
- BG Bulgaria**
Weid-Bul EOOD
Bul. „Kliment Ohridski“ 13
1756 Sofia
Tel. +359 2 963 2560
Fax +359 2 963 1098
sofia@weidbul.com
www.weidbul.com
- BH Bahrain**
Khayber Trading Company
P.O. Box 1976
Manama
Tel. +973 720747
Fax +973 720331
khayber@batelco.com.bh
- BR Brazil**
Weidmüller Conexel do Brasil
Conexões Elétricas Ltda.
Av. Presidente Juscelino, 642
- Piraporinha
Diadema, São Paulo
09950-370
Tel. +55 (11) 4366-9600
Fax +55 (11) 4362-1677
vendas@weidmuller.com.br
www.weidmuller.com.br
- BW Botswana**
Please contact
Phambili Interface
South Africa
- BY Belarus**
TECHNIKON Ltd.
Nezavisimosti pr. 177-9
220125 Minsk
Tel. +375 17 393-11-77
Fax +375 17 3930080
wm@technikon.by
- CA Canada**
W Interconnections Canada
Inc.
10 Spy Court
Markham Ontario L3R 5H6
Tel. +1 (905) 475-1507
Ext. 9836
Fax +1 (905) 475-2798
support@weidmuller.ca
www.weidmuller.ca
- CG Congo**
Please contact
Phambili Interface
South Africa
- CH Switzerland**
Weidmüller Schweiz AG
Rundbuckstraße 2
8212 Neuhausen am
Rheinfall SH
Tel. +41 52 674 07 07
Fax +41 52 674 07 08
info@weidmuller.ch
www.weidmuller.ch
- CL Chile**
CPI CHILE LTDA
Av. Presidente Frei Montalva
6001, 47 complejo el cortijo
Santiago - Conchalí
Tel. +562 963 8440
Fax +562 963 8440
cpi@cpichile.cl
www.cpichile.cl
- CN China**
Weidmüller Interface
(Shanghai) Co. Ltd.
100 Yutong Road
25 F, BM Intercontinental
Business Center
200070 Shanghai
Tel. +86 21-22195008
Tel. +86 21-22195009
customer.hotline@weidmuller.com.cn
www.weidmuller.com.cn
- CO Colombia**
Automatización Avanzada
S. A.
Carrera 97 No., 24 c - 23
Bodega 4
110911 Bogotá-D.C.
Tel. +57 (1) 547-8510
Fax +57 (1) 422-3044
comercial@automatizacionavanzada.com
www.automatizacionavanzada.com
- CR Costa Rica**
ELVATRON S. A.
la Uruca 400 Norte Banco
Costa Rica
San Jose Costa Rica
Tel. +506 2961-060
Fax +506 5200-609
dirk.haase@elvatron.com
www.elvatron.com
- CZ Czech Republic**
Weidmüller s.r.o.
Lomnického 5/1705
140 00 Praha 4
Tel. +420 244 001 400
Fax +420 244 001 499
office@weidmuller.cz
www.weidmuller.cz
- DE Germany**
Weidmüller GmbH & Co. KG
Ohmstraße 9
32758 Detmold
Postfach 30 54
32720 Detmold
Tel. +49 5231 1428-0
Fax +49 5231 14-292083
weidmuller@weidmuller.de
www.weidmuller.de
- DK Denmark**
Weidmüller Danmark
Vallensbækevej 18A
2605 Brøndby
Tel. +45 27747800
kundeservice@weidmuller.dk
www.weidmuller.dk
- EC Ecuador**
Elsystec S. A., Electricidad
Sistemas y Tecnología
Vasco de Contreras N35-251
y Mañosa
Quito - Pichincha
Tel. +593 22456510
Fax +593 22456755
Elsystec@uio.satnet.net
- EE Estonia**
Please contact
our Representative Office
Weidmüller Interface GmbH
& Co. KG
Latvia
or
SLO Eesti AS

11415 Tallinn
Tel. +372 6 272 200
Fax
info@slo.ee

SLO Eesti AS




12618 Tallinn
Tel. +372 622 9119
Fax
elit@elit.ee

Soots Interface OÜ
Pärnu mnt 142
11317 Tallinn
Tel. +372 609 6933
Fax
info@sootsinterface.ee
www.sootsinterface.ee
- EG Egypt**
Standard Electric (OMEGA)
1, Abdelhamid Badawy Street
Heliopolis
Cairo
Tel. +202 21805111
Fax +202 21805600
stdelec@rite.com
- ES Spain**
Weidmüller, S. A.
Narcís Monturiol 11-13, Pol.
Ind. Sudoeste
8960 Sant Just
Desvern - Barcelona
Tel. +34 934 803 386
Fax +34 933 718 055
weidmuller@weidmuller.es
www.weidmuller.es
- FI Finland**
Weidmüller Suomi,
Weidmüller Aktiebolagetin
sivuliike
Koy Plaza Vivace
Äyritie 8C
FI 1510 Vantaa
Tel. +358 20 7351300
Fax +358 800 114 667
asiakaspalvelu@weidmuller.fi
www.weidmuller.fi
- FR France**
Weidmüller E. U. R. L.
2 Boulevard de l'Oise
CS 31100 CERGY
95095 CERGY PONTOISE
Cedex
Tel. +33 1 34 24 55 00
Fax +33 1 34 24 55 01
mail@weidmuller.fr
- GB Great Britain**
Weidmüller Ltd.
Klippon House
Centurion Court Office Park,
Meridian East, Meridian
Business Park
Leicester
LE19 1TP
Tel. +44 116 282 3470
Fax +44 116 289 3582
marketing@weidmuller.co.uk
www.weidmuller.co.uk
- GE Georgia**
Please contact
our Representative Office
Weidmüller Interface
Azerbaijan.
- GH Ghana**
Please contact
our Representative Office
Weidmüller Interface GmbH
& Co. KG
South Africa.
- GR Greece**
G.A. Solutions
Ippokratous 11 Metamorfois
144 52 Athen
Tel. +30 210 2823233
Fax +30 210 2823233
info@weidmuller.gr
www.weidmuller.gr
- GT Guatemala**
Prestelectro, Prestegard
Electro, S.A.
Avenida Petapa 44-22,
Zona 12
Guatemala City
Tel. +502 2442-3346
Fax +502 2476-8945
ventas@prestelectro.com
- HK Hong Kong**
Weidmüller (Hong Kong)
Limited Co. Ltd.
Unit 1617, Metropolis Tower
No. 10 Metropolis Drive,
Hungghom, Kowloon
Tel. +852 3154 8088
Fax +852 31548099
Info-hk@weidmuller.com.hk
- HR Croatia**
ElektroPARTNER d.o.o.
Slavonska avenija 24/6
HR-10000 Zagreb
Tel. +385 (1) 6184 793
Fax +385 (1) 6184 795
elektropartner@zg.t-com.hr
www.elektropartner.hr
- HU Hungary**
Weidmüller Kereskedelmi Kft.
Budapest
Gubacsi út 6.
1097
Tel. +36 1 382 7700
Fax +36 1 382 7701
info@weidmuller.hu
www.weidmuller.hu
- ID Indonesia**
PT. Nego Electrindo
Ruko Mega Grosir Cempaka
Mas Blok I No. 20 – 22
Jakarta 10640
Tel. +62 21 42882255
Fax +62 21 42882266
sales@negoelectrindo.co.id
- IE Ireland**
Please contact
Weidmüller Ltd.
Great Britain
- IL Israel**
A. U. Shay Ltd.
23/25, Embar Street
49222 Petach-Tikva
P.O. Box 1 00 49
49222 Petach-Tikva
Tel. +972 3-923-3601
Fax +972 3-923-4601
shay@uriel-shay.com
www.uriel-shay.com
- ATEKA Ltd.
4, Ha Tavor lane Industrial
area Segula
49691 Petach-Tikva
P.O. Box 4710
Petach-Tikva
Tel. +972 73-200-1311
Fax +972 3-924 4245
marketing@ateka.co.il
www.ateka.co.il
- IN India**
Representative Office
Weidmüller Electronics India
Pvt. Ltd.
No. 9, Union Street, Off.
Infantry Road
BANGALORE
560 001
Tel. +91-80-22860028
wmi@weidmuller.in
www.weidmuller.com
- IR Iran**
Representative Office
Tamin Ehtiajat Fanni Tehran
(TAF Co.)
No. 36, West 4th St., Ettehad
Ave. Damavand Rd.
Tehran - 1658674583, Iran
Tel. +9821 77120809
info@taf-co.com
http://www.taf-co.com
- IS Iceland**
Samey Automation Center
Lyngas 13
2100 Garoabaer
Tel. +354 510 5200
Fax +354 510 5201
Samey@samey.is
www.samey.is
- IT Italy**
Weidmüller S. r.l.
Via Albert Einstein 4
20092 Cinisello
Balsamo Milano
Tel. +39 02 660681
Fax +39 02 6124945
weidmuller@weidmuller.it
www.weidmuller.it
- JM Jamaica**
Please contact
W Interconnections Inc.
United States
- JO Jordan**
Billeh Electricals Mat. Co.
PO Box 4343
Amman
Tel. +962 6 4656 987
Fax +962 6 4649 216
- JP Japan**
Nihon Weidmüller Co. Ltd.
Sphere Tower Tennoz 2-2-8
Higashi-Shinagawa,
Shinagawa-ku
Tokyo
140-0002
Tel. +81 3 6711 5300
Fax +81 3 6711 5333
info@weidmuller.co.jp
www.weidmuller.co.jp
- KE Kenya**
Please contact
our Representative Office
Weidmüller Interface GmbH
& Co. KG
South Africa.
- KG Kyrgyzstan**
Please contact
our Representative Office
Weidmüller Interface
Azerbaijan.



You can find all Weidmüller addresses and your local contact on the internet at: www.weidmuller.com/countries

Let's connect.

Sales company 
Representation abroad 
without representation abroad 

KR **Korea**
Weidmuller Korea Co. Ltd.
9th floor
429, Teheran-ro, Gangnam-Gu
Seoul 135-721
Tel. +82 2-516-0003
Fax +82 2-516-0090
info@weidmuller.co.kr
www.weidmuller.co.kr

KZ **Kazakhstan**
Please contact
Weidmüller Group
Russia

LT **Lithuania**
Please contact
our Representative Office
Weidmüller Interface GmbH
& Co. KG
Latvia

or

ELEKTROS IRANGA
Tinklu g. 29 a
LT-5319 Panevezys
Tel. +370 (45) 582 828
Fax +370 (45) 582 727
info@eliranga.lt

UAB „SLO Lithuania“
Vilpkėdės g. 4
LT-LT-03151 Vilnius
Tel. +370 5 215 00 70
Fax +370 5 215 00 71
biuras@slo.lt

LU **Luxembourg**
Please contact
Weidmüller Benelux B. V.
Netherlands

LV **Latvia**
SIA Abi4
Daugavgrivas 49 k3
Riga, LV-1007
Tel. +371 674 70999
Fax
abi_4@tvnet.lv

Representative Office
Weidmüller Interface GmbH
& Co. KG
Udens str. 12-118
Riga, LV-1007
Tel. +371 29254766
Fax
lgonis.rudaks@weidmuller.com
www.weidmuller.com

MD **Moldova**
BERHORD A & D srl
79/1, str. Milescu Spartaru
MD-2075 Chisinau
Moldova
Tel. +373 (22) 815002
Fax +373 (22) 815007
atiuleanu@berhord.com
www.ad.berhord.com

ME **Montenegro**
Please contact
our Representative Office
Weidmüller Interface GmbH
& Co. KG
Serbia.

MG **Madagascar**
Please contact
Phambili Interface
South Africa

MK **Macedonia**
Please contact
our Representative Office
Weidmüller Interface GmbH
& Co. KG
Serbia

or

ELEKTRO - SMK doel
UL. III Makedonska brigada
b.b.
1000 Skopje
Tel. +389 22460295
Fax
Elektro-smk@telekabel.net.mk

MN **Mongolia**
Please contact
our Representative Office
Weidmüller Interface
Azerbaijan.

MT **Malta**
E. S. S., Electrical Supplies &
Services Ltd.
San Gwakklin Road
Mriehel
Tel. +356 21255777
Fax +356 21255999
robert.agius@ess.com.mt

MU **Mauritius**
Mubelo Electrical Ltd.
Office 26, Gateway building,
St Jean Road
Quatre Bornes
Mauritius
Tel. +230 4670989
Fax +230 4654051
richard.mubelo@orange.mu

MW **Malawi**
Please contact
our Representative Office
Weidmüller Interface GmbH
& Co. KG
South Africa.

MX **Mexico**
W Interconnections S. A.
DE C. V.
Blvd. Hermanos Serdán 698,
Col. San Rafael Oriente
72029 Puebla
Tel. +52 (222) 268 6227
Fax +52 (222) 286 6242
clientes@weidmuller.com.mx

MY **Malaysia**
Connect Plus Technology
Sdn Bhd
No. 43, Jalan PJS 11/22,
Bandar Sunway
46150 Petaling Jaya
Selangor Darul Ehsan
Tel. +60 3 5633 7363
Fax +60 3 5633 6562
paul@cptech.com.my
www.cptech.com.my

MZ **Mozambique**
Please contact
Phambili Interface
South Africa

NA **Namibia**
Please contact
Phambili Interface
South Africa

NG **Nigeria**
Please contact
Weidmüller Interface GmbH
& Co. KG
South Africa

NL **Netherlands**
Weidmüller Benelux B. V.
Franciscusweg 221
1216 SE Hilversum
P.O. Box 1505
1200 BM Hilversum
Tel. +31 35 626 12 61
Fax +31 35 623 20 44
info@weidmuller.nl
www.weidmuller.nl

NO **Norway**
Sivilingeniør J.F. Knudtzen AS
Billingstadsletta 97
1396 Billingstad
PO Box 160
1378 Nesbru
Tel. +47 66 98 33 50
Fax +47 66 98 09 55
firmapost@jfknudtzen.no
www.jfknudtzen.no

NZ **New Zealand**
Cuthbert S. Steward Ltd.
27 Te Puni Street
Petone
PO Box 38496
Wellington Mail Centre 5054
Tel. (04) 568 6156
Fax (09) 489 1752
csl@cuthbertsteward.co.nz
Cuthbert S. Steward Ltd
4 Fred Thomas Drive
Aon Building, Ground Floor,
South Entry
Takapuna
PO Box 100 338
North Shore City 745
Tel. (09) 489 1751
Fax (04) 568 6056
cslak@cuthbertsteward.co.nz

OM **Oman**
DAN INTERNATIONAL LLC.
Ghala St. 111
BP 2901
Seeb
Tel. +968 5036 77
Fax +968 5037 55
yedu@danint.com

PE **Peru**
IMPEXINCA S.A.C.
Calle Ortiz de Zevallos No.
105, Urb. San Antonio
18
Lima, Miraflores
Tel. +51 1 447 5608
info@impexinca.pe
www.impexinca.pe
J & W CIA. S. A.
Calle 6 Mz. D Lte. 23, Urb.
Ind. Grimanesa
01
Callao
Tel. +51 1 572 2539
Fax +51 1 572 0152
contacto@jwcia.com
www.jwcia.com

PH **Philippines**
Enclosure Systems Specialists
Inc.
2276 Don Chino Roces
Avenue Extension
Room 103/105 Narra Building
1231 Makati City
Tel. +63 2 813 8580
Fax +63 2 813 8596
sales_encsys@pltdsl.net
www.enclosuresystemsp.com

PK **Pakistan**
Automation Controls (Pak)
Apartment No. 33 C.III,
Chenab Block, Allama Iqbal
Town
Lahore
Tel. +92 42 37809948
Fax +92 42 37809950
nadeem@acpak.com.pk
www.acpak.com.pk

PL **Poland**
Weidmüller Sp. z o. o.
ul. Ogrodowa 58
00-876 Warszawa
Tel. +48 22 510 09 40
Fax +48 22 510 09 41
biuro@weidmuller.com.pl
www.weidmuller.pl

PR **Puerto Rico**
Please contact
W Interconnections Inc.
United States

PT **Portugal**
Weidmüller Sistemas de
Interface S. A.
Estrada Outeiro Polima, R.
Augusto Dias da Silva, Lote
B- Esct. 2
São Domingos de Rana
2785-515 Abóboda
Tel. +351 214 459 191
Fax +351 214 455 871
weidmuller@weidmuller.pt
www.weidmuller.pt

PY **Paraguay**
Please contact
CPI SA
Argentina

RO **Romania**
Representative Office
Weidmüller Interface GmbH
& Co. KG
Ionescu Crum Street, No.
1, 1st Tower, 1st Floor,
Office 4
500446 Brasov - Brasov
Business Park
Tel. +40 (268) 446 222
Fax +40 (268) 446 224
kladiu.totea@weidmuller.com
www.weidmuller.ro

RS **Serbia**
Representative Office
Weidmüller Interface GmbH
& Co. KG
Ustanicka 189, III sprat
lokal 7a
11050 Beograd
Tel. +381 112885274
Fax +381 112885274
zoran.rabrenovic@
weidmuller.com

RU **Russia**
Weidmüller Group
7/10 Khlebozavodskiy
Passage,
Moskau
115230
Tel. +7 495 280 72 71
Fax +7 495 280 72 71
Info@weidmuller.ru
www.weidmuller.ru

SA **Saudi Arabia**
Please contact
Weidmuller Middle East FZE
United Arab Emirates

SE **Sweden**
Weidmüller AB
Axel Danielssons väg 271
BOX 31025
SE-200 49 Malmö
Tel. +46 77-143 00 44
Fax +46 40-37 48 60
info@weidmuller.se
www.weidmuller.se

SG **Singapore**
Weidmüller Pte. Ltd.
70 Bendemeer Road
04-03 Luzerne Building
Singapore 339940
Tel. +65 6841 5311
Fax +65 6841 5377
info@weidmuller.com.sg
www.weidmuller.com.sg

SI **Slovenia**
Elektrospoji d. o. o.
Stegne 27
SI- 1000 Ljubljana
Osrednjeslovenska
Tel. +386 1 511 3810
Fax +386 1 511 1604
info@elektrospoji.si
www.elektrospoji.si

SK **Slovakia**
ELEKTRIS s.r.o.
Elektrárnská 1
831 04 Bratislava
Tel. +421 2/4920 0113
Fax +421 2/4920 0119
bratislava@elektris.sk

SV **El Salvador**
Prestegard Electro
11 Avenida Norte No. 240
Edificio Salazar No. 2
San Salvador
Tel. +503 2271 1690
Fax +503 2221 3851
prestegard@navegante.com.sv

SY **Syria**
Please contact
Weidmuller Middle East FZE
United Arab Emirates

SZ **Swaziland**
Please contact
Phambili Interface
South Africa

TH **Thailand**
Pisanu Engineering Co. Ltd.
Kwang Dingaeng, Khet
Dingaeng
800/2 Soi Trakulsuk, Asoke-
dindaeng Road
Dindaeng, Bangkok
10400
Tel. +66 2 248 2896
Fax +662 105 6301
ecsales@pisanu.co.th
www.pisanu.co.th

Representative Office
Weidmüller Pte. Ltd.
37/F, Sathorn Square Building
98 North Sathorn Road
Bangkok, Silom Bangrak
10500
Tel. +66 2 105 6300
Fax +66 2 642 9220
info@weidmuller.com.sg

TJ **Tajikistan**
Please contact
our Representative Office
Weidmüller Interface
Azerbaijan.

TM **Turkmenistan**
Please contact
our Representative Office
Weidmüller Interface
Azerbaijan.

TN **Tunisia**
Please contact
Weidmüller E. U. R. L.
France

TR **Turkey**
Weidmüller Elektronik Ticaret
Ltd. Sirketi
Kavacik Mah. Orhan Veli Kanik
Caddesi 9/1
34810 Beykoz / Istanbul
Tel. +90 (216) 537 10 70
Fax +90 (216) 537 10 77
info@weidmuller.com.tr
www.weidmuller.com.tr

TW **Taiwan**
Please contact
Weidmüller (Hong Kong)
Limited Co. Ltd.
Hong Kong

TZ **Tanzania**
Please contact
our Representative Office
Weidmüller Interface GmbH
& Co. KG
South Africa.

UA **Ukraine**
LLC WM UKRAINE
Lievanevskogo str. 6
Kiev
3058
Tel. +38 044 490 32 48
Fax
info@wm-ua.com.ua
wm-ua.com.ua/
Representative Office
Weidmüller Interface GmbH
& Co. KG
Z. office 303
7-D, Zdobunivska str.
Kiev, 2081
Mobile +38 050 440 25 24
info.ua@weidmuller.com

US **United States**
W Interconnections Inc.
821 Southlake Boulevard
Richmond Virginia 23236
Tel. +1 (804) 794-2877
Fax +1 (804) 379-2593
info@weidmuller.com
www.weidmuller.com

UZ **Republic of Uzbekistan**
Please contact
our Representative Office
Weidmüller Interface
Azerbaijan.

VN **Vietnam**
AUMI Industrial Equipment &
Automation Company Limited
E1, La Thanh Hotel
218 Doi Can Street
Lieu Giai Ward, Ba Dinh
District
Hanoi City
Tel. +84 4 37628601
Fax +84 4 6266 1391
aumi@aumi.com.vn
www.aumi.com.vn

Representative Office
Weidmüller Pte. Ltd.
Level 16 Saigon Tower
Building
29 Le Duan Street
District 1
Ho Chi Minh
Tel. +848 3520 7717
Fax +848 3520 7604
info@weidmuller.com.sg

Addresses worldwide

Let's connect.

ZA **South Africa**
 Phambili Interface
 PO Box 193
 1609 Johannesburg, Edenvale
 5 Bundo Road, Sebenza
 1610 Johannesburg
 Tel. +27 (11) 4521930
 Fax
 info@weidmuller.co.za
 www.weidmuller.co.za

Representative Office
 Weidmüller Interface GmbH
 & Co. KG
 210 Amarand
 Avenue, Pegasus Building
 181 Pretoria, waterloof Glen
 ext 2 -
 Tel. +27 12 003 2906
 Fax +27 (11) 4526455
 Jacques.Vosloo@weidmueller.
 com
 www.weidmueller.com

ZM **Zambia**
 Please contact
 Phambili Interface
 South Africa

ZW **Zimbabwe**
 Please contact
 Phambili Interface
 South Africa

We cannot guarantee that there are no mistakes in the publications or software provided by us to the customer for the purpose of making orders. We try our best to quickly correct errors in our printed media.

All orders are based on our general terms of delivery, which can be reviewed on the websites of our group companies where you place your order. On demand we can also send the general terms of delivery to you.

Weidmüller – Your partner in Industrial Connectivity

As experienced experts we support our customers and partners around the world with products, solutions and services in the industrial environment of power, signal and data. We are at home in their industries and markets and know the technological challenges of tomorrow. We are therefore continuously developing innovative, sustainable and useful solutions for their individual needs. Together we set standards in Industrial Connectivity.

Weidmüller Interface GmbH & Co. KG
Klingenbergstraße 16
32758 Detmold, Germany
T +49 5231 14-0
F +49 5231 14-292083
info@weidmueller.com
www.weidmueller.com

Your local Weidmüller partner can
be found on our website:
www.weidmueller.com/countries



Order number: 2031180000/10/2016/SMKD