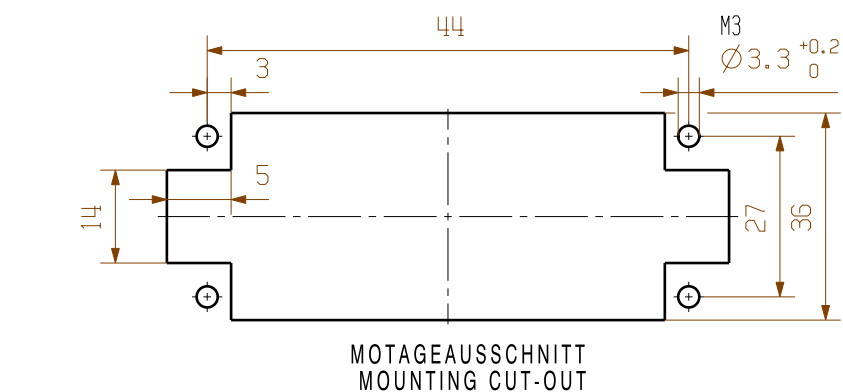
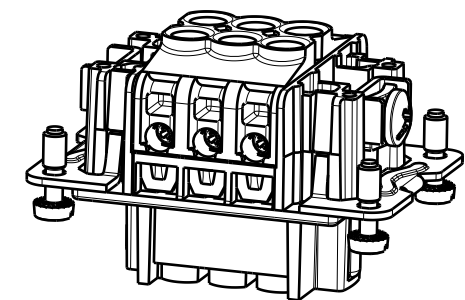
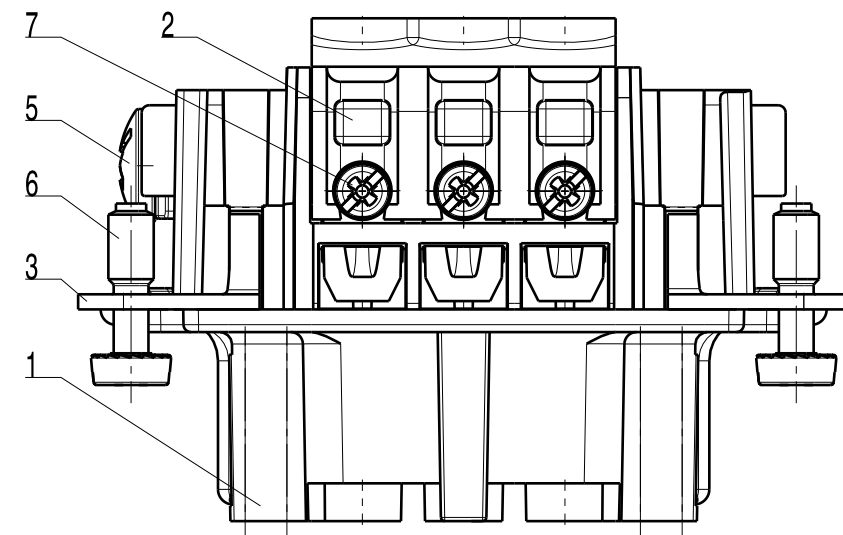
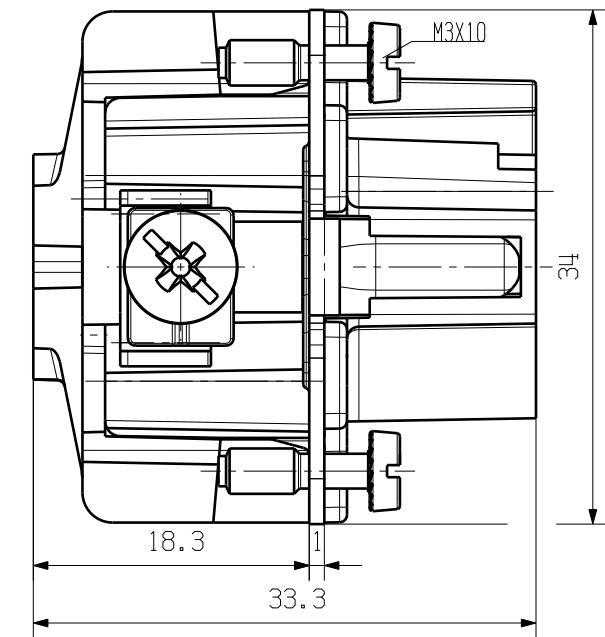
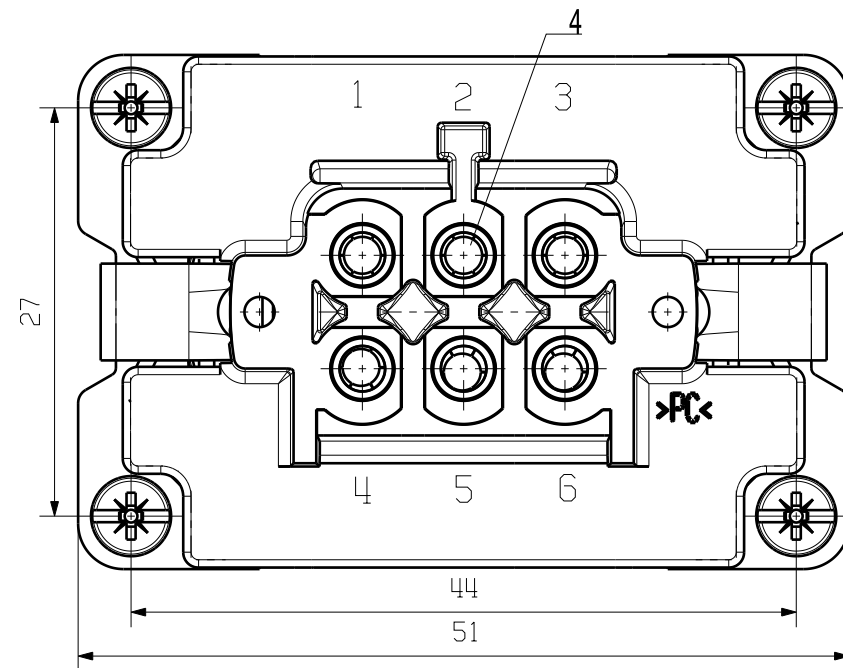


MASSE OHNE TOLERANZ SIND KEINE PRUEFMASSE
 DIMS. WITHOUT TOLERANCE ARE NOT CONTROL DIMS.



500V

16A

BEMESS.SPANNUNG
 RATED VOLTAGE

BEMESS.STROM
 RATED CURRENT

7	SCREW	STEEL WITH NICKLE PLATING
6	SCREW	STEEL WITH NICKLE PLATING
5	SCREW	STEEL WITH NICKLE PLATING
4	CONTACTOR	BRASS WITH SILVER PLATING
3	PE CONTACT	BRASS WITH NICKLE PLATING
2	COVER	PC
1	CONTACT CARRIER	PC
ROHSTOFF-NR. R.PART NO.	TYP PART NAME	WERKSTOFF MATERIAL

MAX. NRN./NOS. ? MODIFICATION		CAT.NO.: 120020000	
DRAWN 21.10.2005 LIU_F		DRAWING NO. ISSUE NO.	
RESPONSIBLE		DATE NAME	
CHECKED 31.10.2005 Zhang_T		Weidmüller	
APPROVED		HDC HE 06 FS Buchseneinsatz Female Insert	
SCALE: 2/1 SUPERSEDES: SUPERSEDED BY:		PRODUCT FILE:	

WEITERGABE SOWIE VERVIELFÄLTIGUNG DIESER DOKUMENTS, VERWERTUNG UND MITTEILUNG SEINES INHALTS SIND VERBOTEN, SOWEIT NICHT AUSDRUECKLICH GESTATET.
 ZUWIDERHANDLUNGEN VERPFLICHTEN ZU SCHADENSERSATZ. ALLE RECHTE FUER DEN FALL DER PATENT-, GEBRAUCHSMUSTER- ODER GESCHMACKSMUSTEREINTRAGUNG VORBEHALTEN.
 THE REPRODUCTION, DISTRIBUTION AND UTILIZATION OF THIS DOCUMENT AS WELL AS THE COMMUNICATION OF ITS CONTENTS TO OTHERS WITHOUT EXPLICIT AUTHORIZATION IS PROHIBITED.
 OFFENDERS WILL BE HELD LIABLE FOR THE PAYMENT OF DAMAGES. ALL RIGHTS RESERVED IN THE EVENT OF THE GRANT OF A PATENT, UTILITY MODEL OR DESIGN.